

[54] **COMBINED TELEVISION BASE AND SPEAKER**

- [75] **Inventor: Masahiro Kawanabe, Tokyo, Japan**
[73] **Assignee: Kabushiki Kaisha Toshiba, Kawasaki, Japan**
[**] **Term: 14 Years**
[21] **Appl. No.: 263,322**
[22] **Filed: Oct. 27, 1988**
[30] **Foreign Application Priority Data**
Apr. 28, 1988 [JP] Japan 63-17083
[52] **U.S. Cl. D14/239; D14/210**
[58] **Field of Search D14/113-114, D14/124-136, 217, 239, 299; 358/254, 255; 312/7.2**

[56] **References Cited**

U.S. PATENT DOCUMENTS

D. 264,336 5/1982 Nicholson et al. D14/214

FOREIGN PATENT DOCUMENTS

589200 12/1982 Japan .
592243 1/1983 Japan .

OTHER PUBLICATIONS

Stereo Review, Jun. 1988, p. 81—right side Loudspeaker.
Buying Guide to Speaker Systems—1977 Edition—p. 28—Marjen Loudspeakers.
Catalog of Sony Theater Television, KP-36XBR2 published Sep. 1986.

Primary Examiner—Theodore M. Shooman
Attorney, Agent, or Firm—Oblon, Spivak, McClelland, Maier & Neustadt

[57] **CLAIM**

The ornamental design for a combined television base and speaker, as shown.

DESCRIPTION

FIG. 1 is a top, front and right side perspective view of a speaker equipped television base showing my new design;
FIG. 2 is a front elevational view thereof;
FIG. 3 is a top plan view thereof;
FIG. 4 is a right side elevational view thereof, a left side elevational view being a mirror image of the right;
FIG. 5 is a rear elevational view thereof; and
FIG. 6 is a bottom plan view thereof.

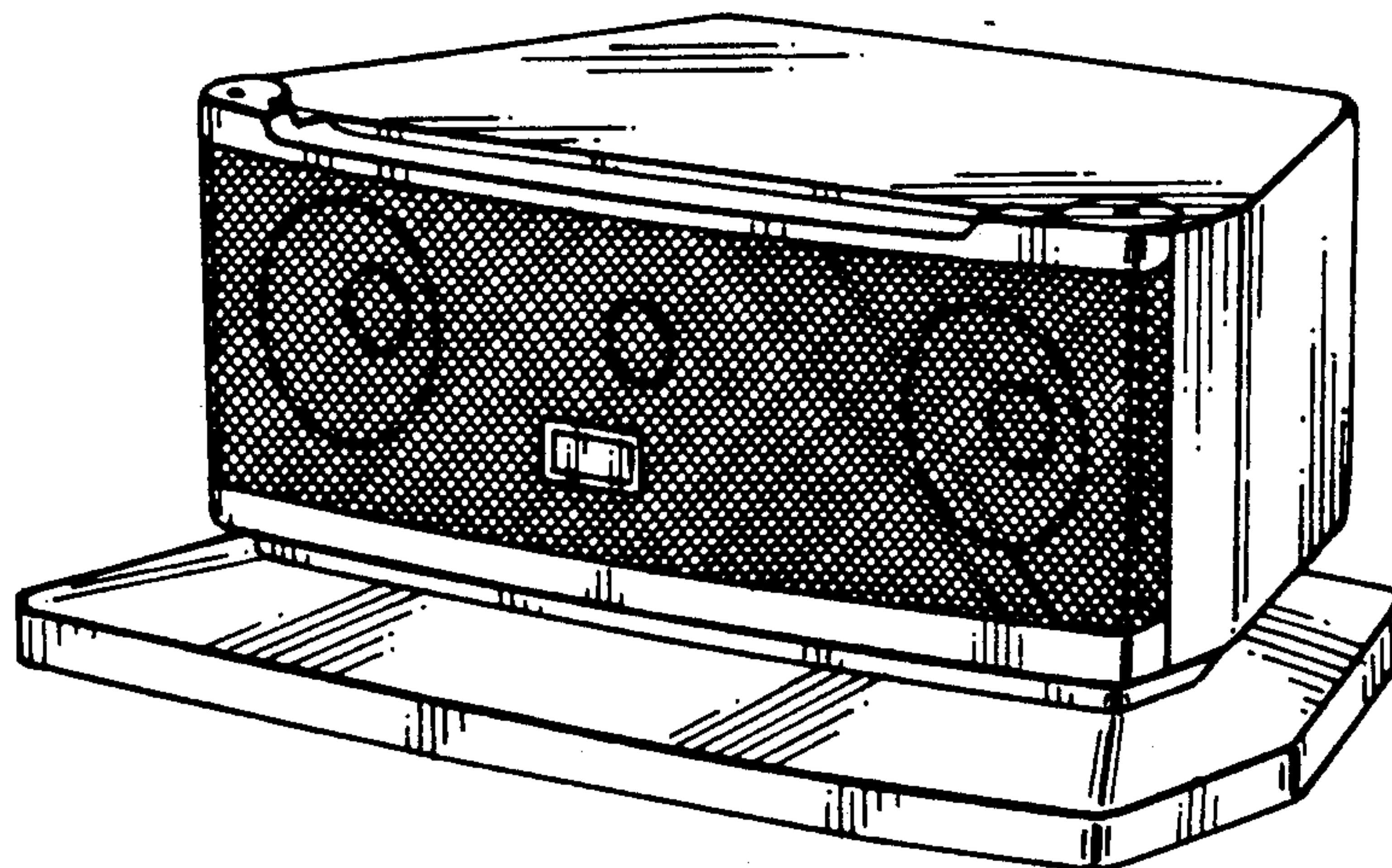


FIG. 1

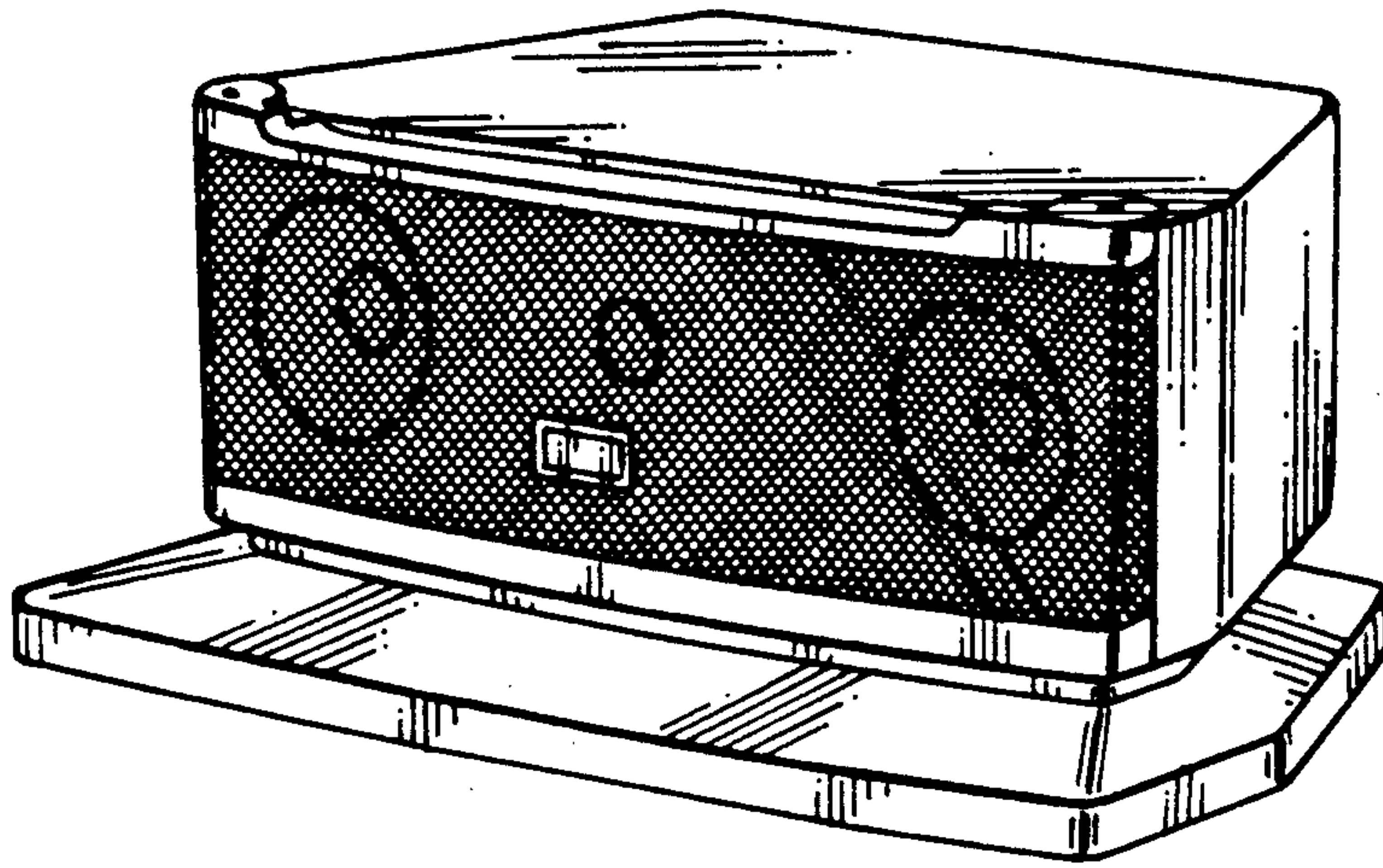


FIG. 2

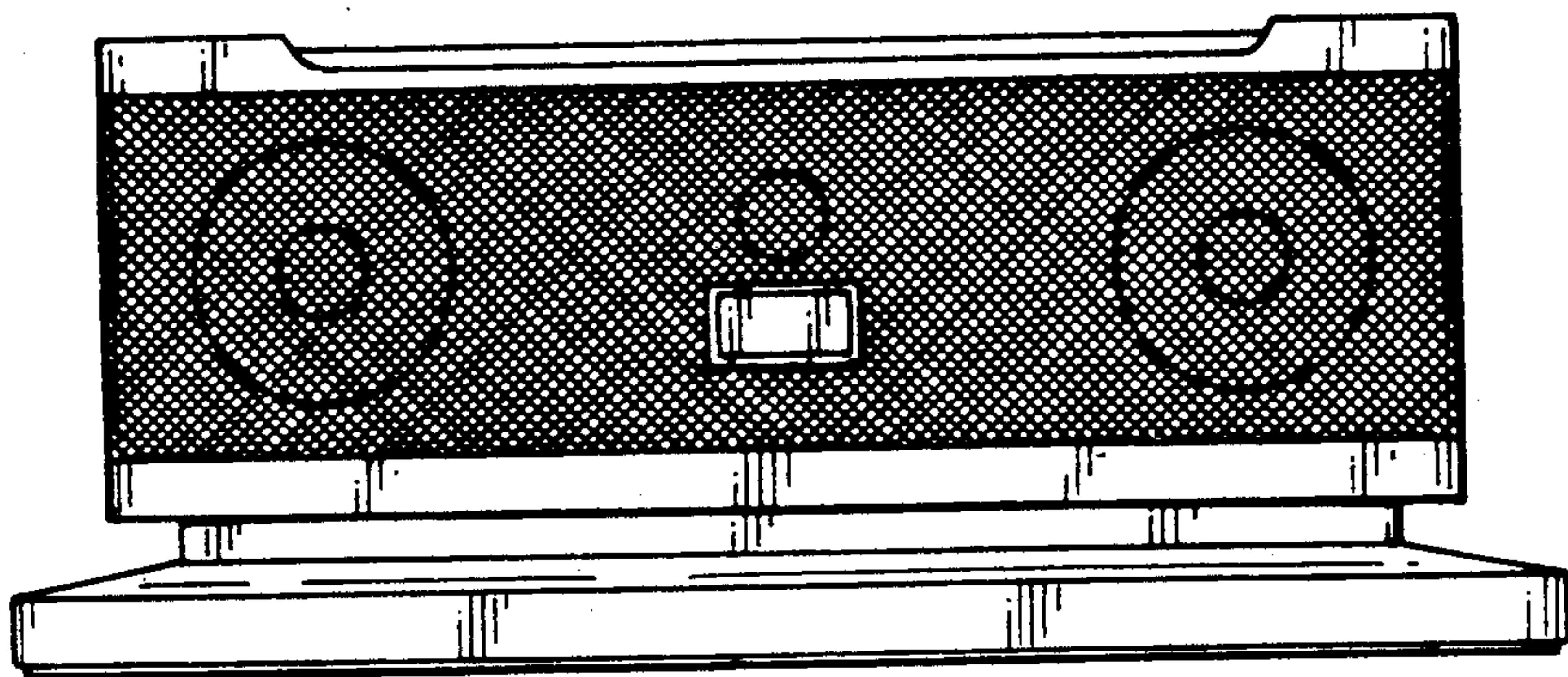


FIG. 3

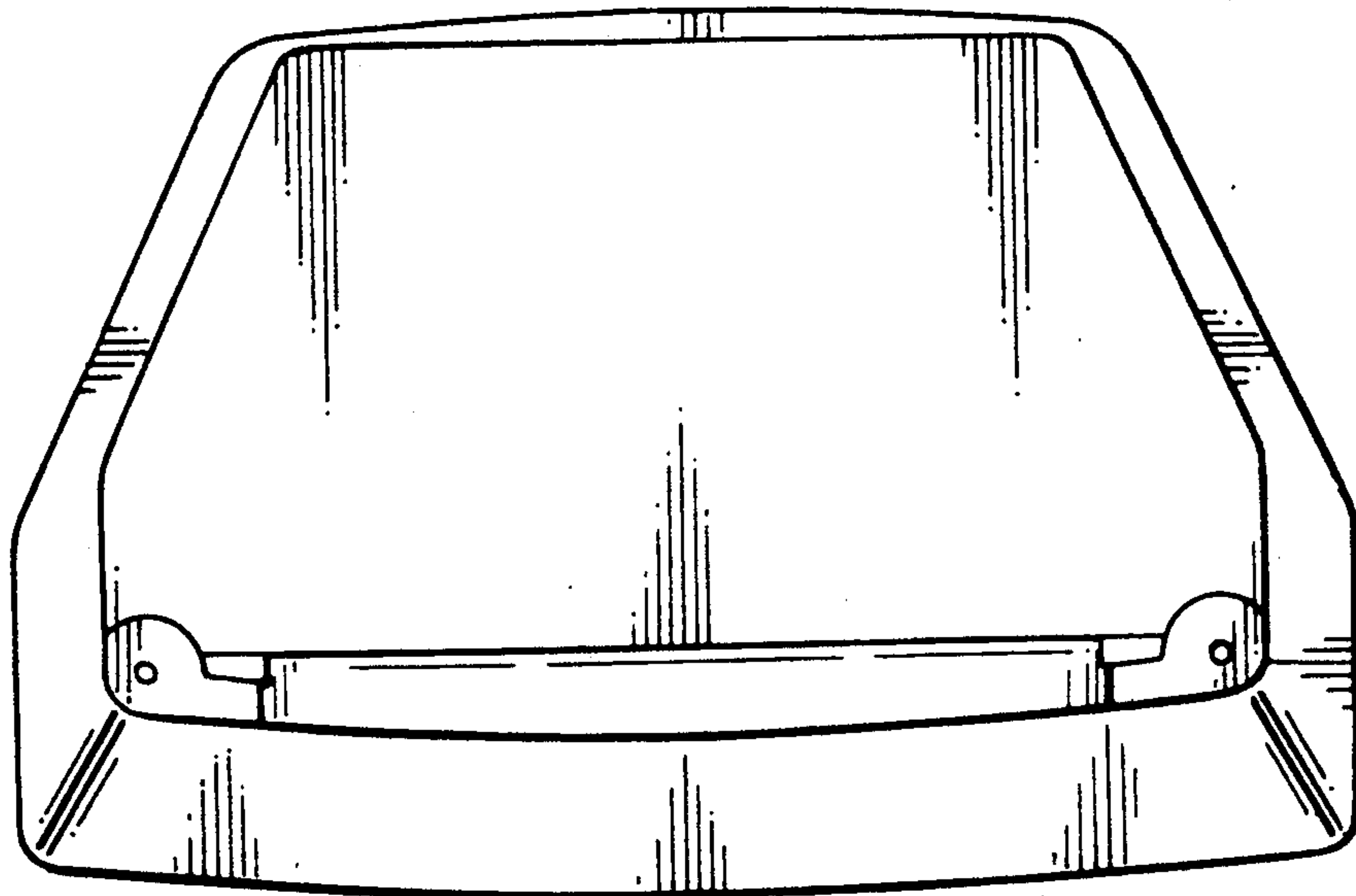


FIG. 4

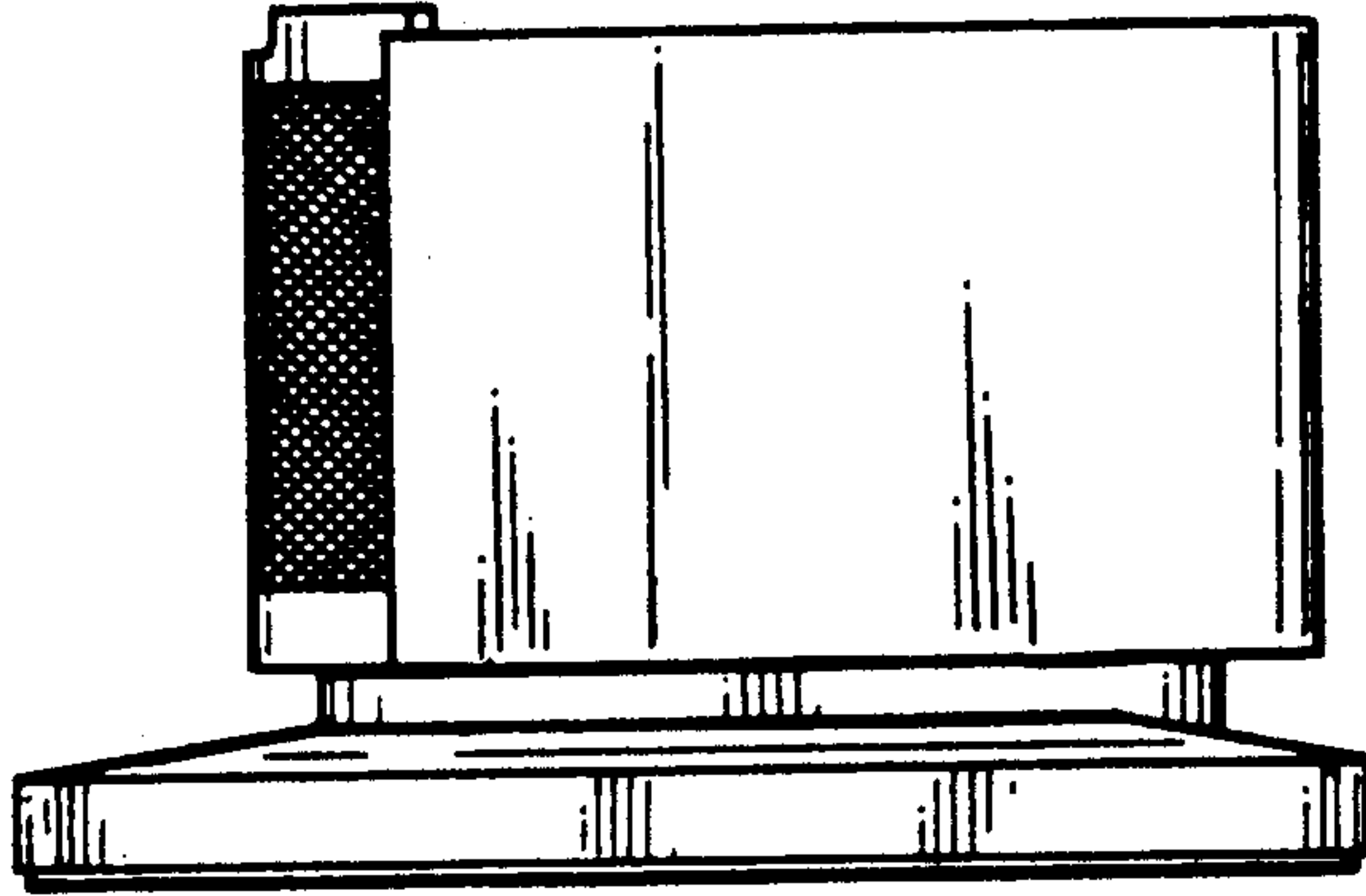


FIG. 5

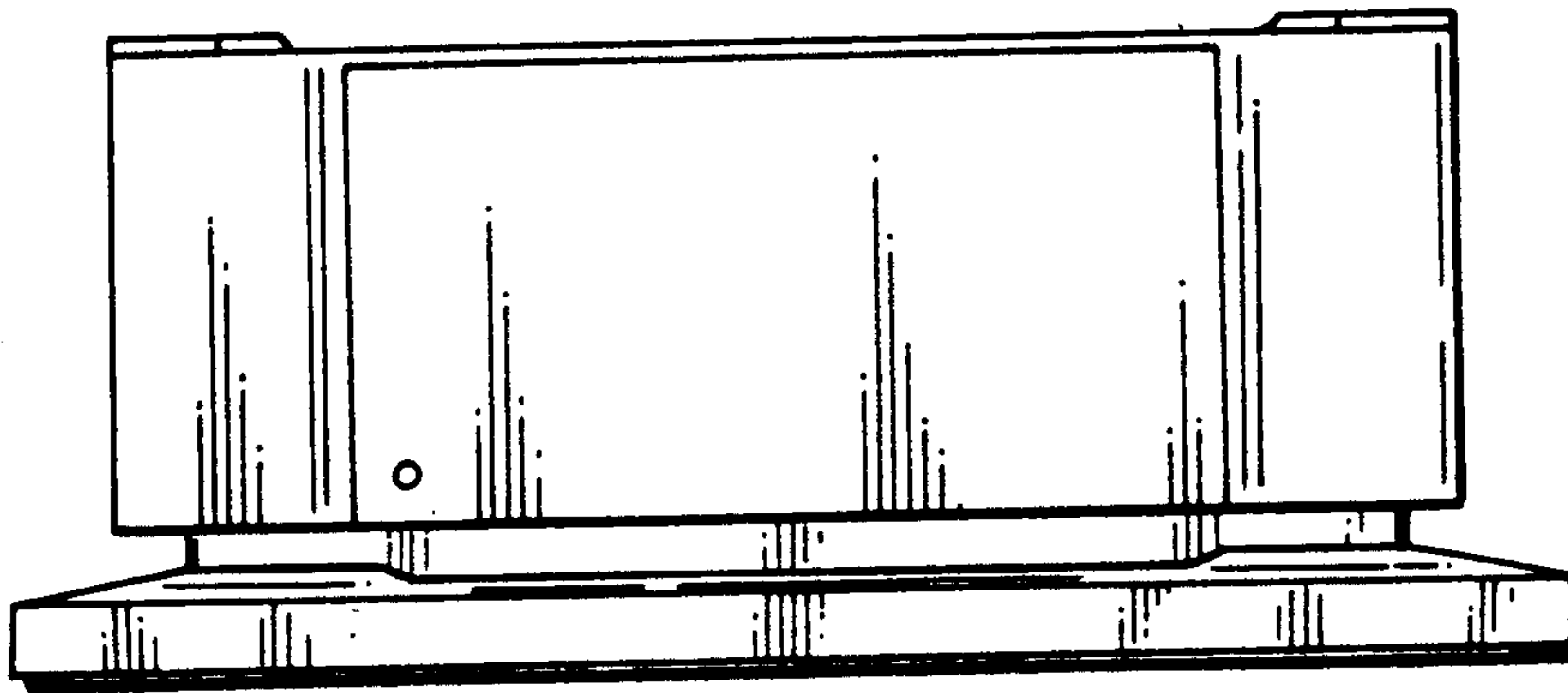


FIG. 6

