

[54] COMBINED RADIO AND TAPE RECORDER

[75] Inventor: Mitsutaka Fuke, Osaka, Japan

[73] Assignee: Sharp Corporation, Osaka, Japan

[**] Term: 14 Years

[21] Appl. No.: 439,950

[22] Filed: Nov. 21, 1989

[30] Foreign Application Priority Data

May 23, 1989 [JP] Japan 1-18959

[52] U.S. Cl. D111/163; D14/168

[58] Field of Search D14/160-165,
D14/167-168, 188, 194-196, 156; 455/344,
350, 351

[56] References Cited

U.S. PATENT DOCUMENTS

- D. 295,855 5/1988 Koo D14/163
- D. 309,454 7/1990 Mori D14/163
- D. 311,005 10/1990 Isonaga D14/163
- D. 313,598 1/1991 Mori D14/168 X

OTHER PUBLICATIONS

HFD; 06/01/87; p. 118; top right-Lloyd Model V501 boombox CD player.

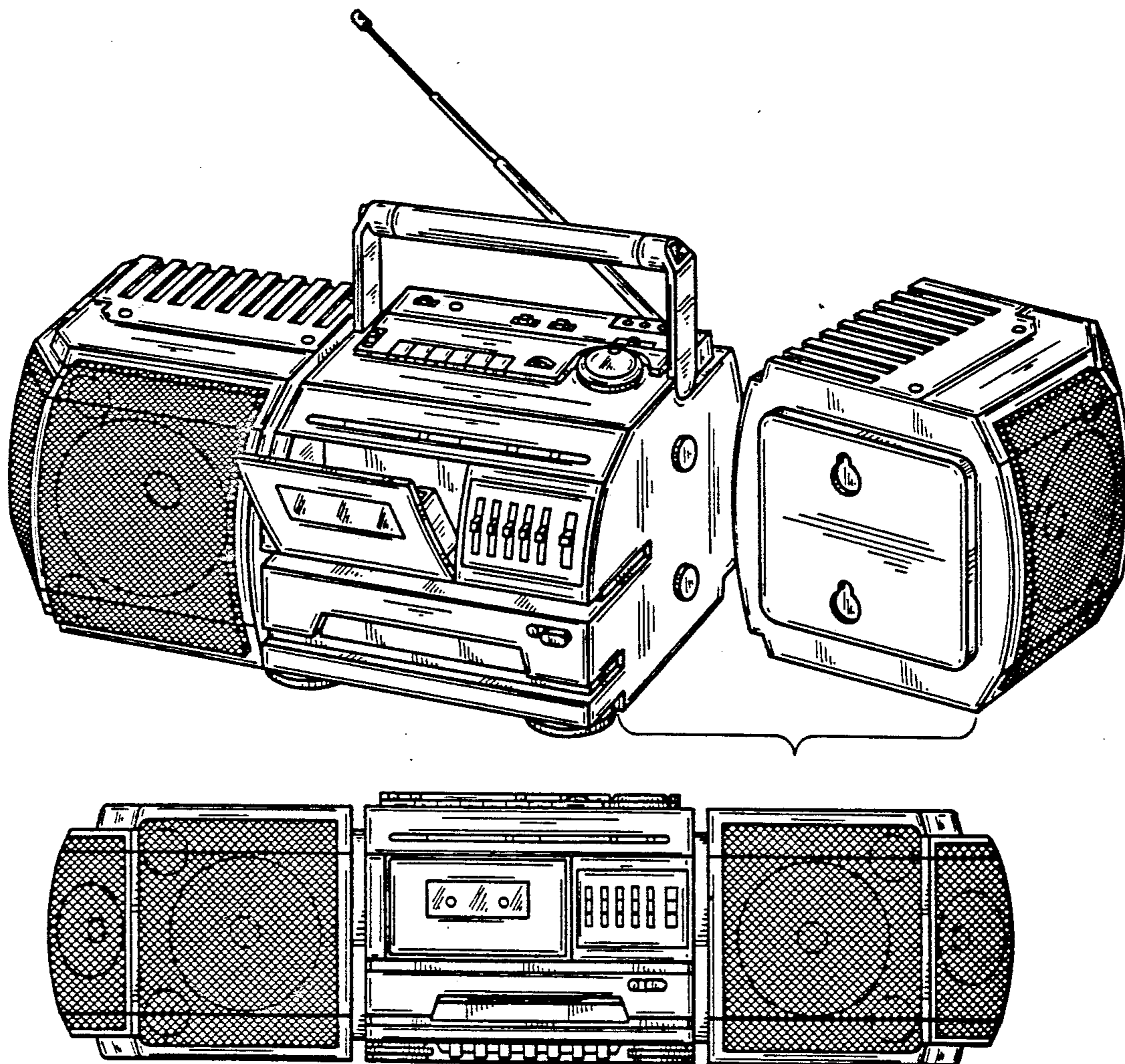
Primary Examiner—Theodore M. Shooman
Attorney, Agent, or Firm—Flehr, Hohbach, Test,
Albritton & Herbert

[57] CLAIM

The ornamental design for a combined radio and tape recorder, as shown and described.

DESCRIPTION

FIG. 1 is a top, front and right side perspective view of a combined radio and tape recorder showing my new design with one speaker separated, the antenna raised, and the cassette holder open;
FIG. 2 is a front elevational view thereof;
FIG. 3 is a rear elevational view thereof;
FIG. 4 is a top plan view thereof;
FIG. 5 is a bottom plan view thereof;
FIG. 6 is a right side elevational view thereof; and
FIG. 7 is a left side elevational view thereof.



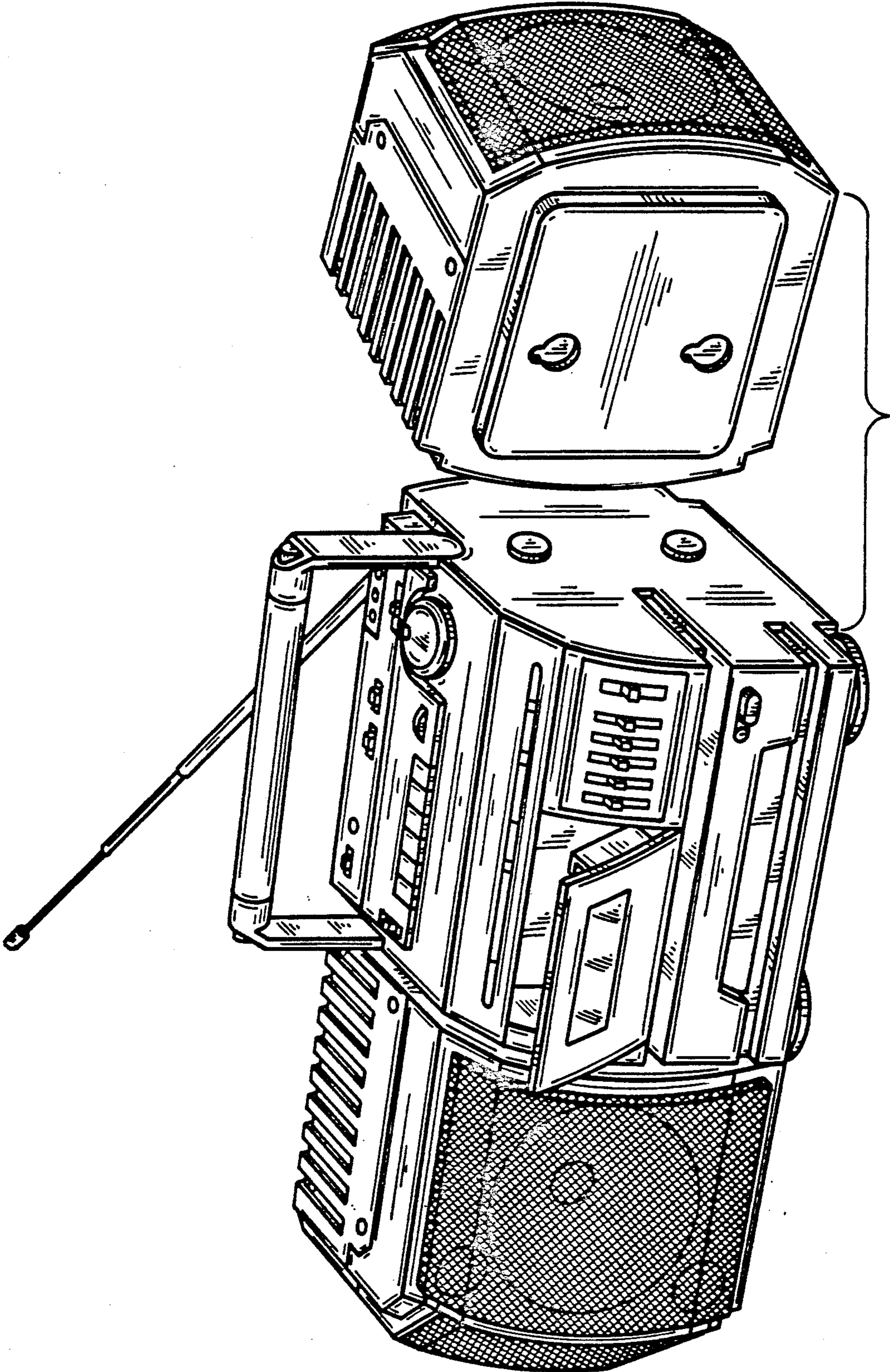
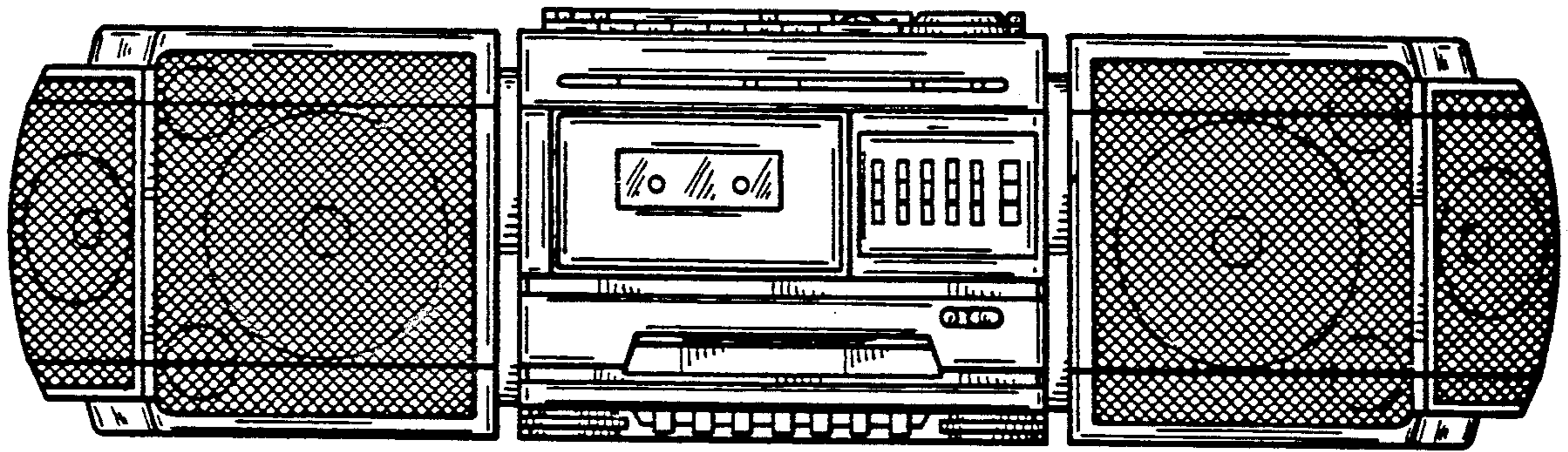
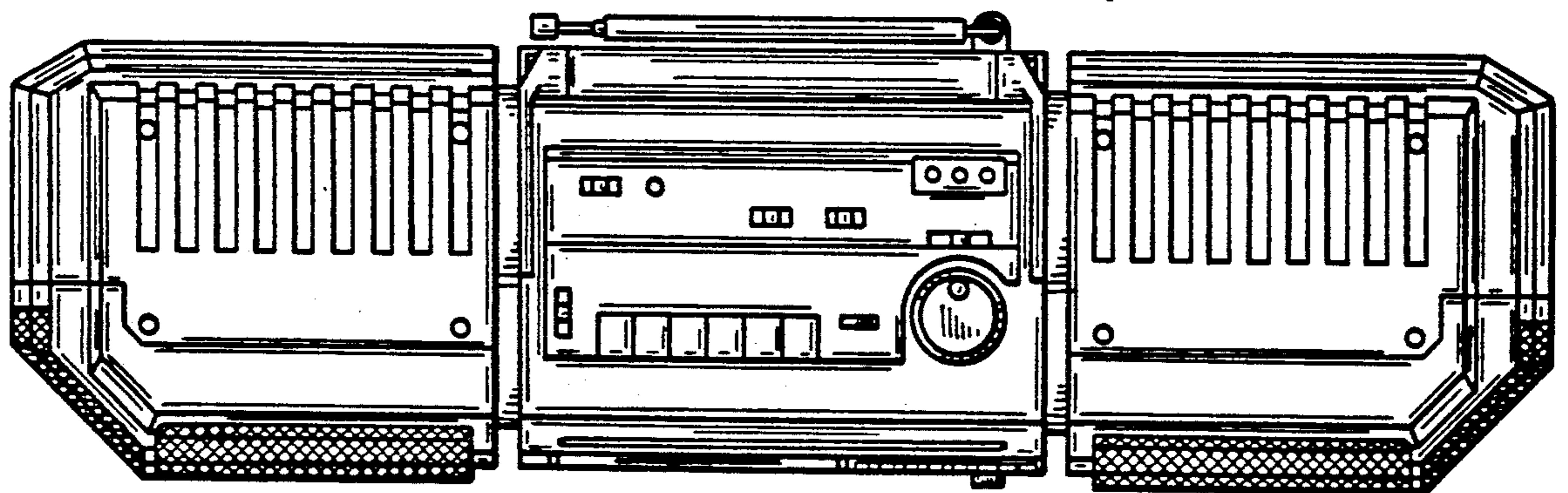


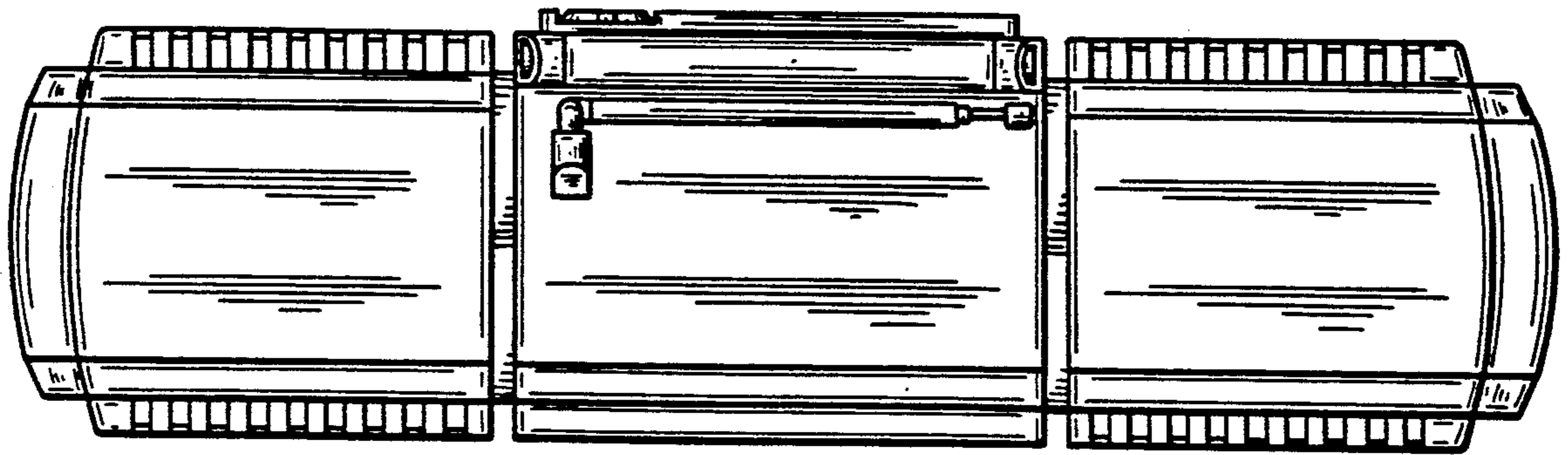
FIG-1



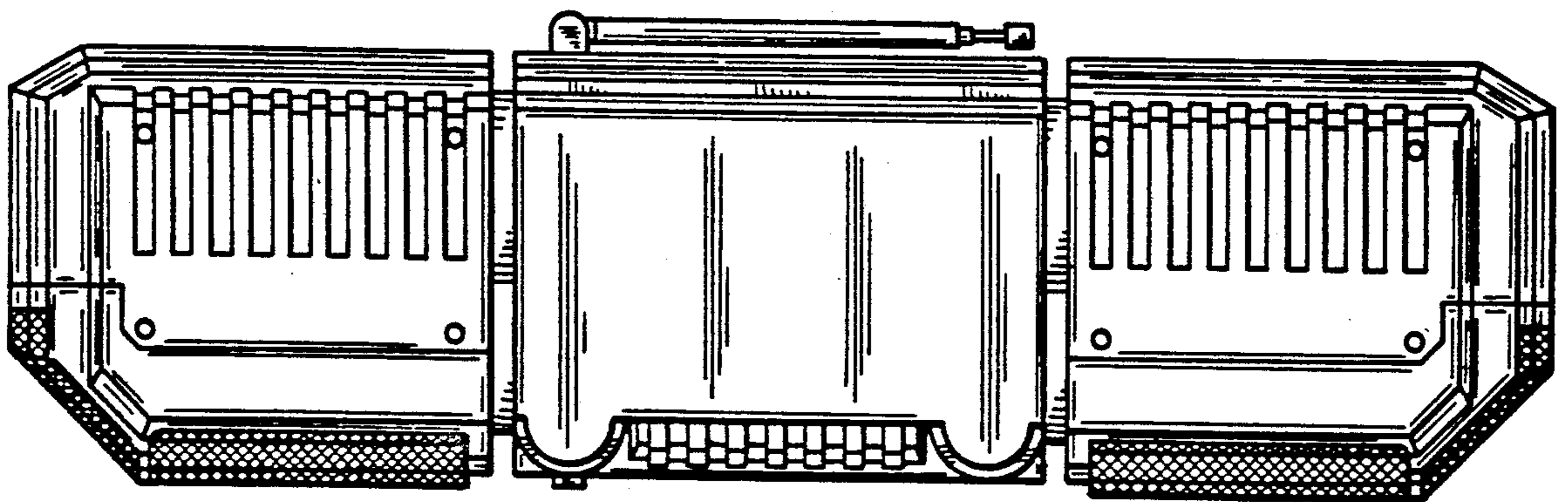
FIG_2



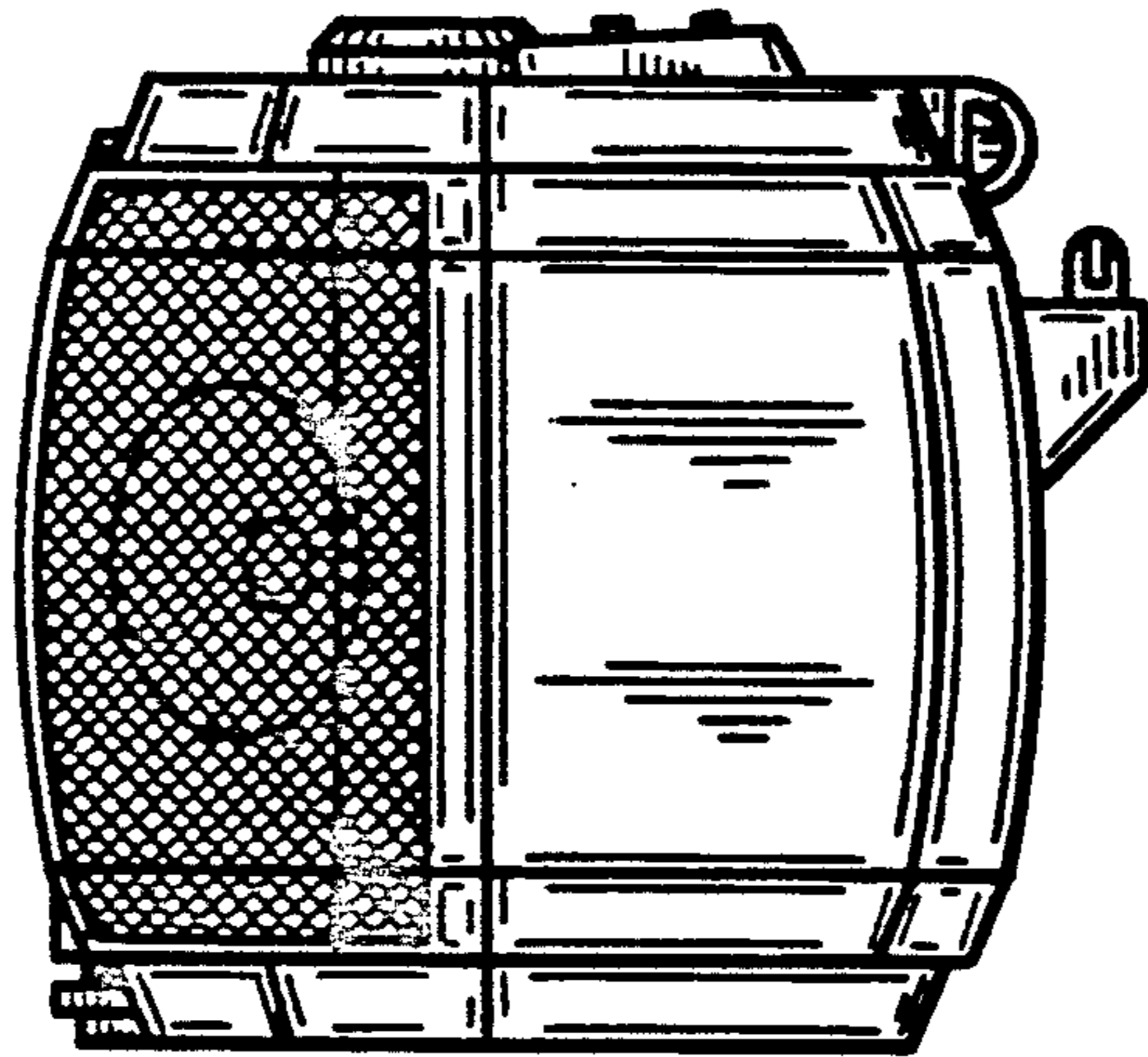
FIG_4



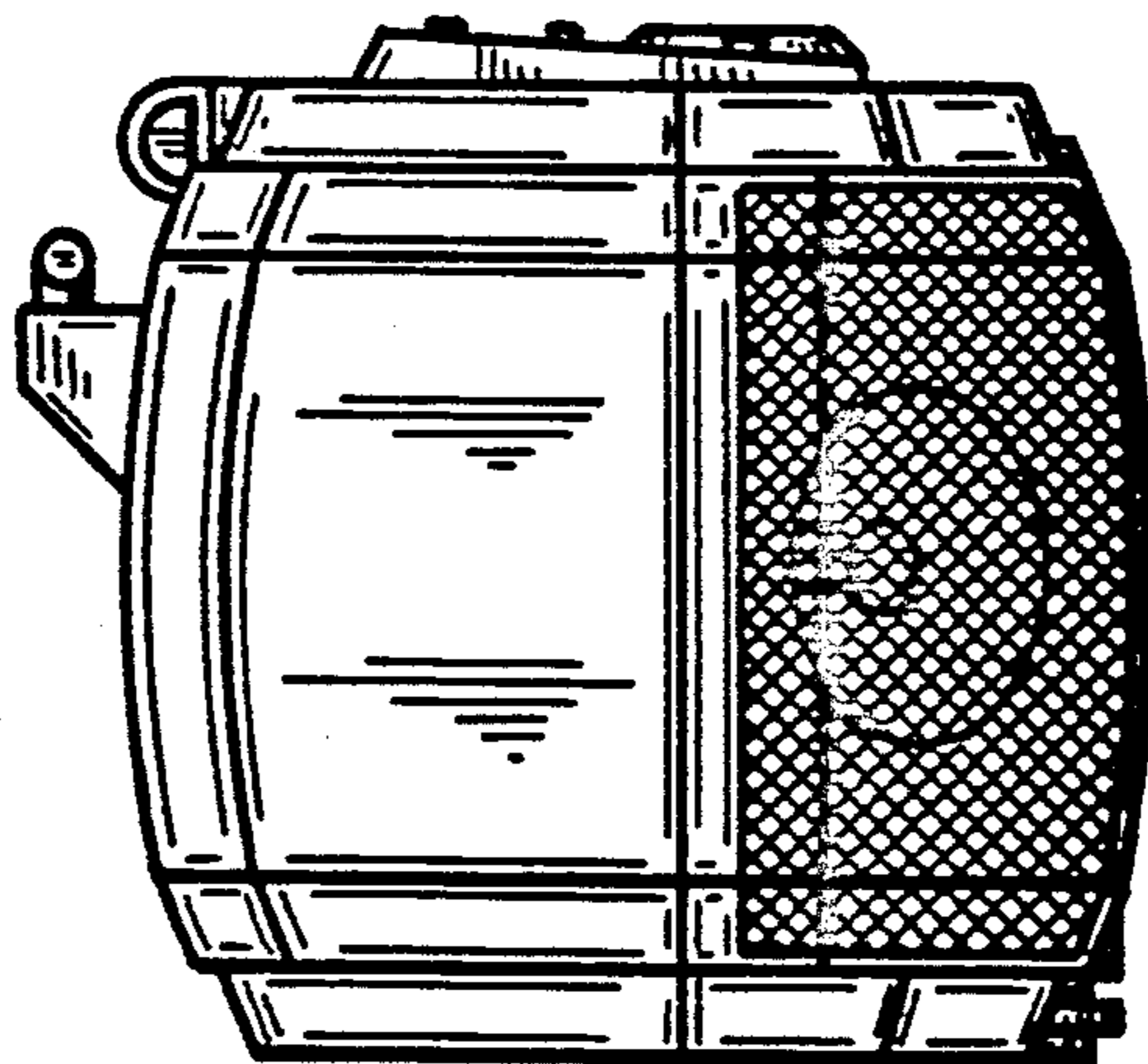
FIG_3



FIG_5



FIG_6



FIG_7