

[54] COMBINED RADIO AND CASSETTE RECORDER

[75] Inventor: Gary E. Grimes, Eersel, Netherlands

[73] Assignee: U.S. Philips Corporation, New York, N.Y.

[**] Term: 14 Years

[21] Appl. No.: 324,356

[22] Filed: Mar. 15, 1989

[30] Foreign Application Priority Data

Sep. 23, 1988 [GB] United Kingdom 1.053.726

[52] U.S. Cl. D14/163; D14/168

[58] Field of Search D14/160-165,
D14/167-168, 188, 194-196, 156; 455/344,
350, 351

[56] References Cited

U.S. PATENT DOCUMENTS

D. 306,297 2/1990 Mori et al. D14/163

D. 310,835 9/1990 Gimes D14/163

D. 312,637 12/1990 Gato et al. D14/163

Primary Examiner—Theodore M. Shooman
Attorney, Agent, or Firm—Jack E. Haken

[57] CLAIM

The ornamental design for a combined radio and cassette recorder, as shown.

DESCRIPTION

FIG. 1 is a front, top and right side perspective view of a combined radio and cassette recorder showing my new design;

FIG. 2 is a front elevational view thereof;

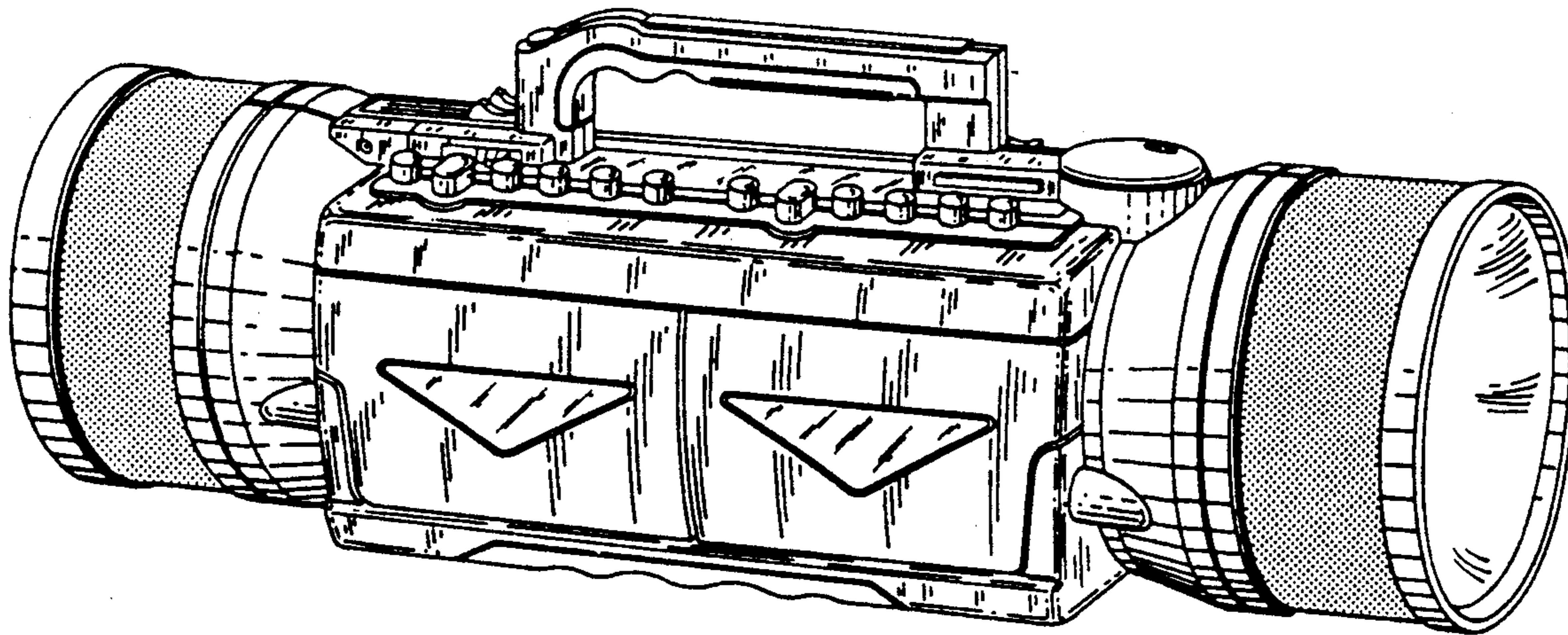
FIG. 3 is a rear elevational view thereof;

FIG. 4 is a top plan view thereof;

FIG. 5 is a bottom plan view thereof;

FIG. 6 is a right side elevational view thereof;

FIG. 7 is a left side elevational view thereof.



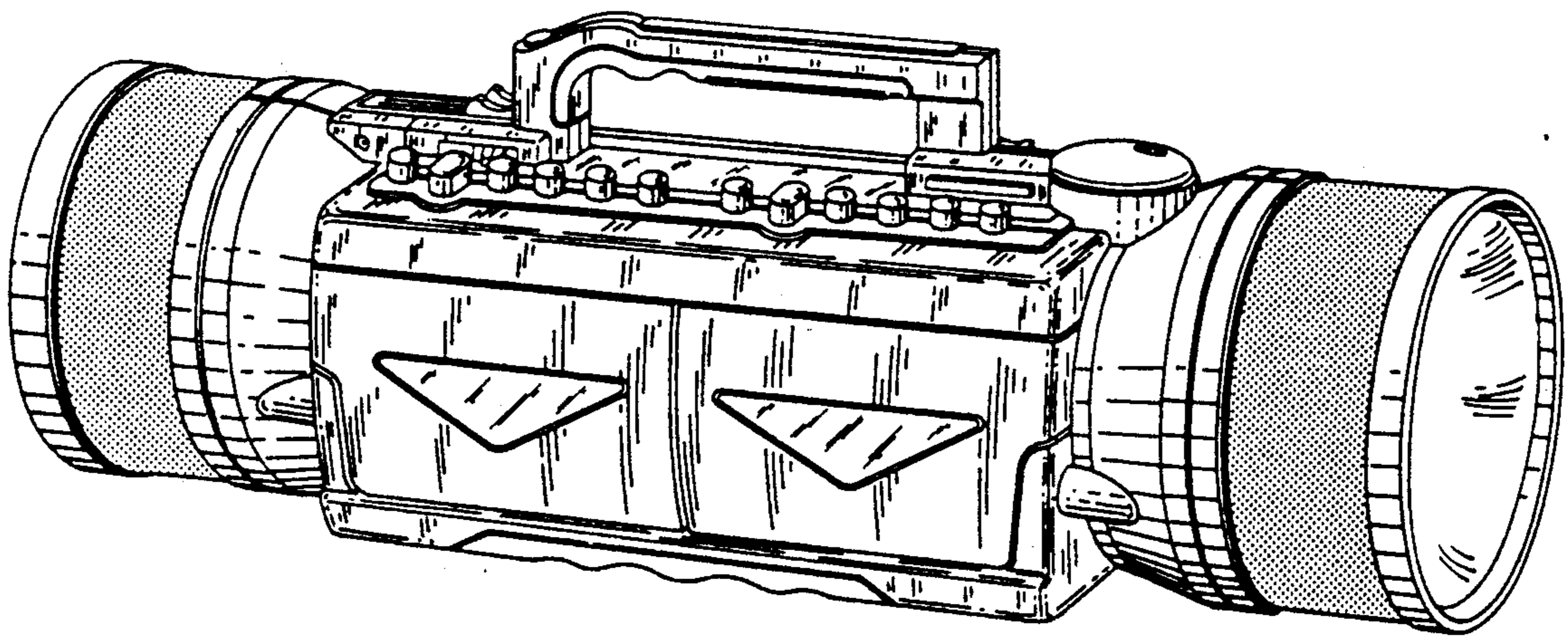


FIG. 1

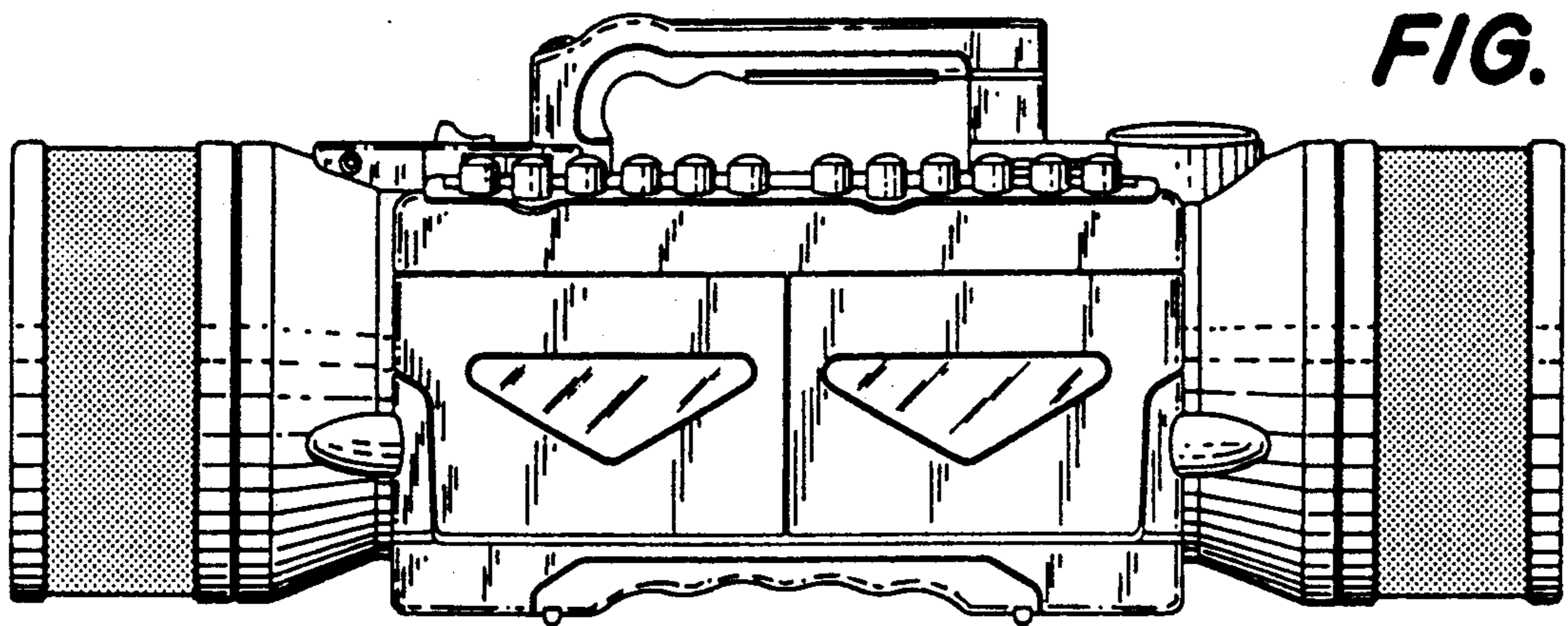


FIG. 2

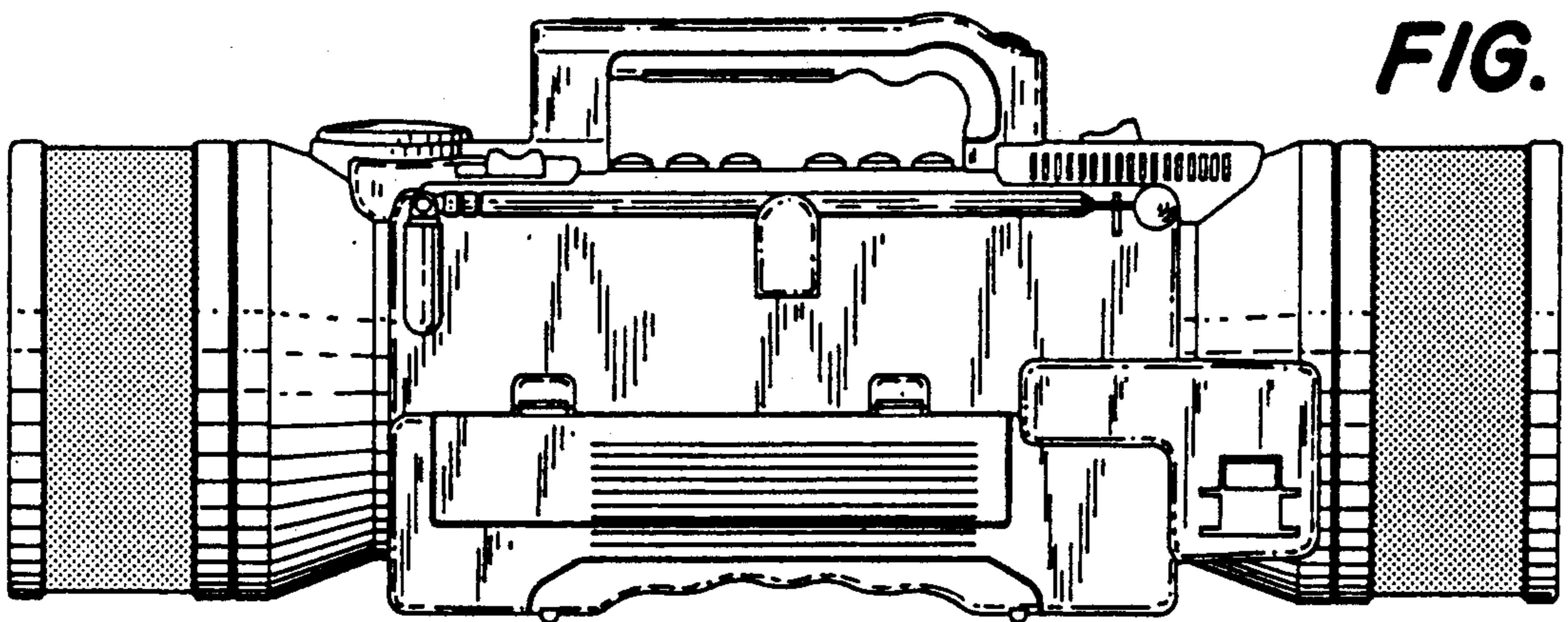


FIG. 3

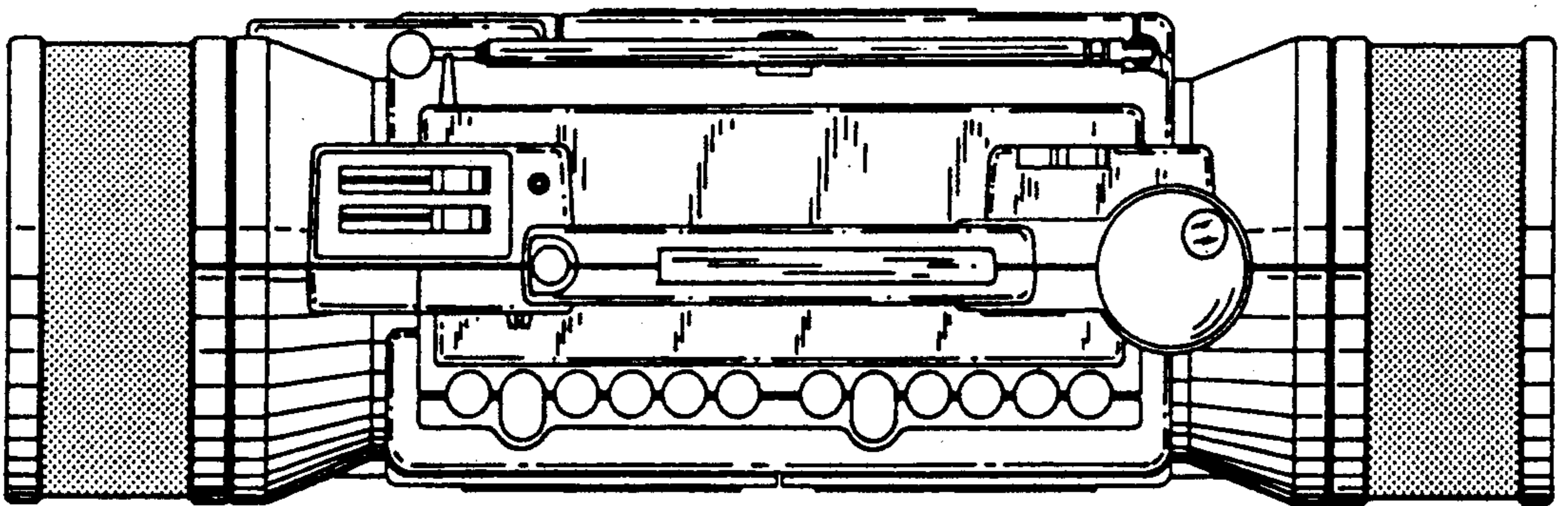


FIG. 4

FIG. 5

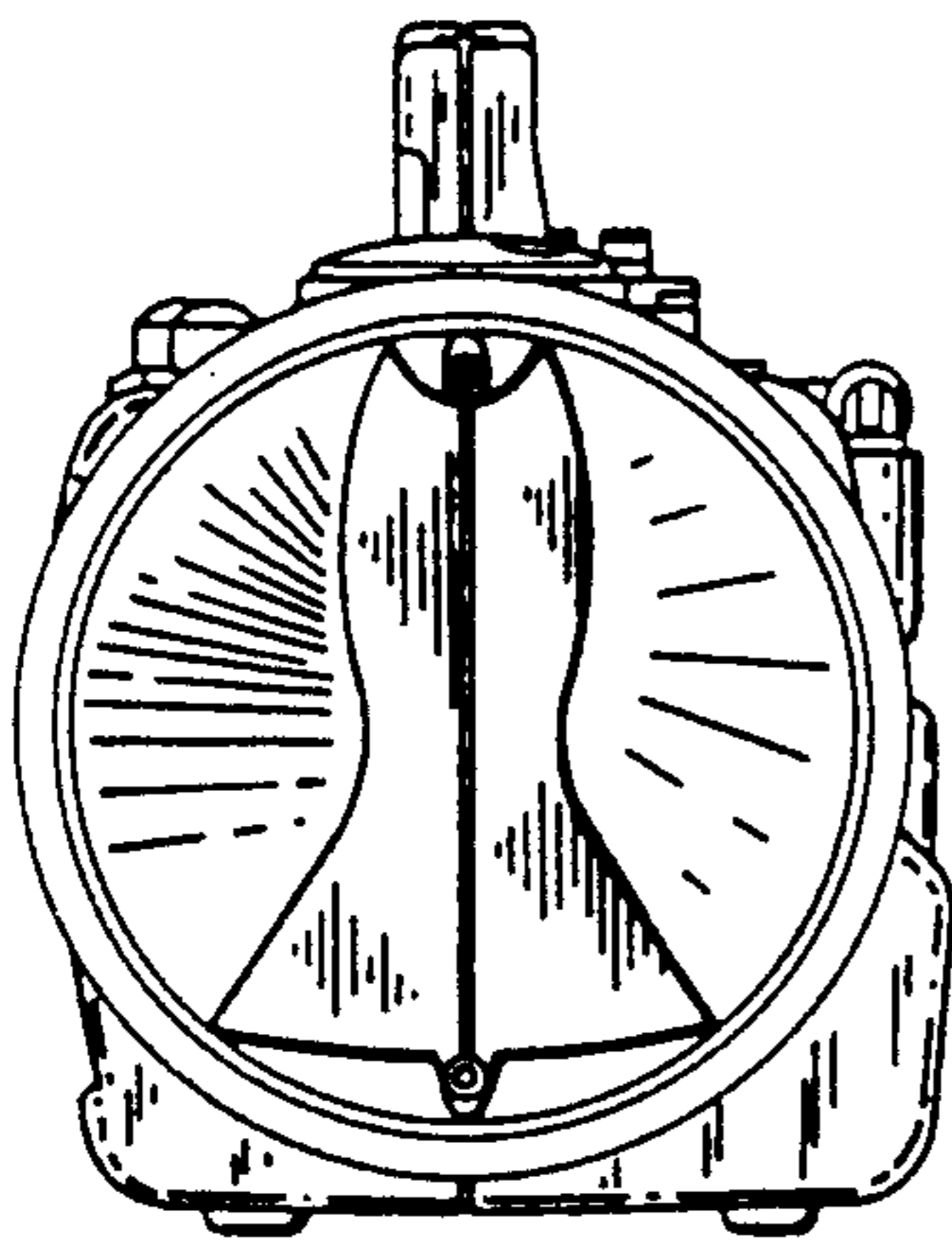
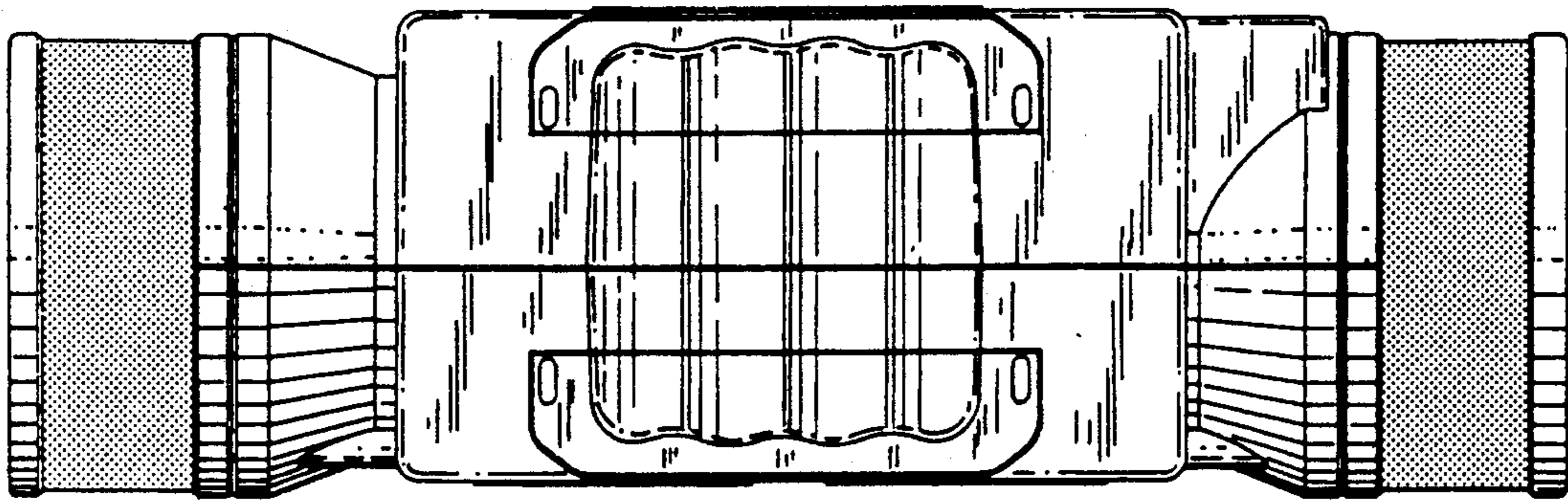


FIG. 6

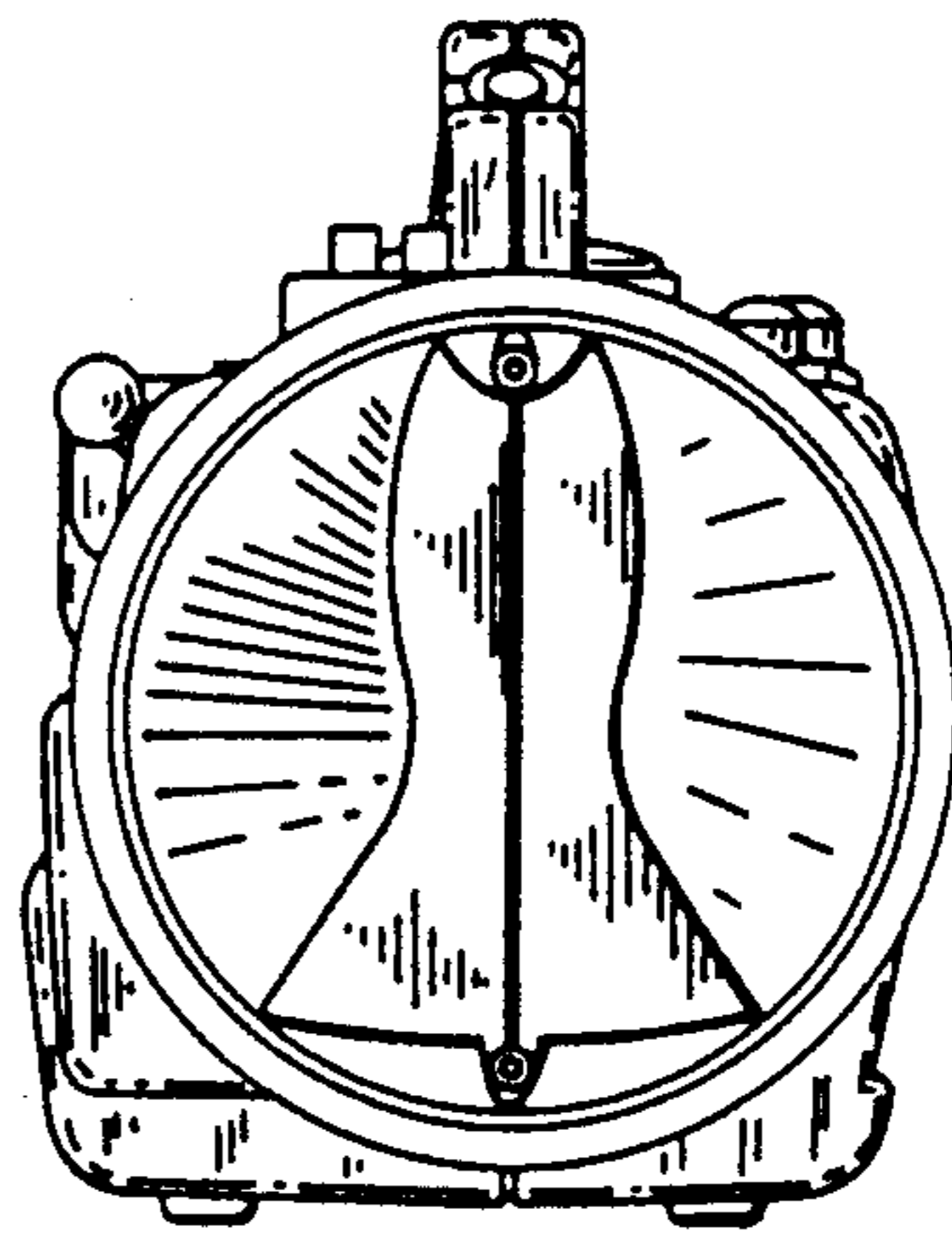


FIG. 7