

[54] COMBINED HAND HELD COMPUTER STAND AND HANDLE

[75] Inventors: Jeff C. Hawkins, Redwood City; John J. Daly, San Carlos, both of Calif.

[73] Assignee: Grid Systems Corporation, Fremont, Calif.

[**] Term: 14 Years

[21] Appl. No.: 365,053

[22] Filed: Jun. 12, 1989

[52] U.S. Cl. D14/100

[58] Field of Search D14/100, 101, 105-107, D14/113, 115, 124-126; D18/1, 7, 11, 12; 340/700, 706, 707, 711, 712; 341/22, 23; 364/706-710.14, 200, 900; 312/208; 235/145 A, 145 R; 358/248, 249, 254; 248/917-923

[56] References Cited

U.S. PATENT DOCUMENTS

- D. 277,569 2/1985 Georgopoulos D14/106 X
- D. 294,262 2/1988 Thies et al. D14/113
- D. 303,661 9/1989 Manabe et al. D14/113
- D. 313,405 1/1991 Barry et al. D14/113

- 4,438,458 3/1984 Münscher D14/113 X
- 4,528,597 7/1985 Klein et al. 358/254
- 4,669,694 6/1987 Malick 248/923 X
- 4,729,533 3/1988 Hillary et al. 248/919 X
- 4,895,231 1/1990 Yamaguchi et al. 364/708 X

OTHER PUBLICATIONS

Computer Products, Jul. 1988, vol. 10, No. 4, front cover, Scriptel Pen Writer (bottom of page).

Primary Examiner—Susan J. Lucas

Assistant Examiner—Freda S. Nunn

Attorney, Agent, or Firm—Townsend & Townsend

[57] CLAIM

The ornamental design for a combined hand held computer stand and handle, as shown and described.

DESCRIPTION

FIG. 1 is a perspective view of a combined hand held computer, stand, and handle in the closed, carrying position showing our new design;
 FIG. 2 is a perspective view thereof, wherein the stand and handle are in the opened position;
 FIG. 3 is a right side elevational view thereof;
 FIG. 4 is a rear elevational view thereof;
 FIG. 5 is a bottom plan view thereof;
 FIG. 6 is a left side elevational view thereof.

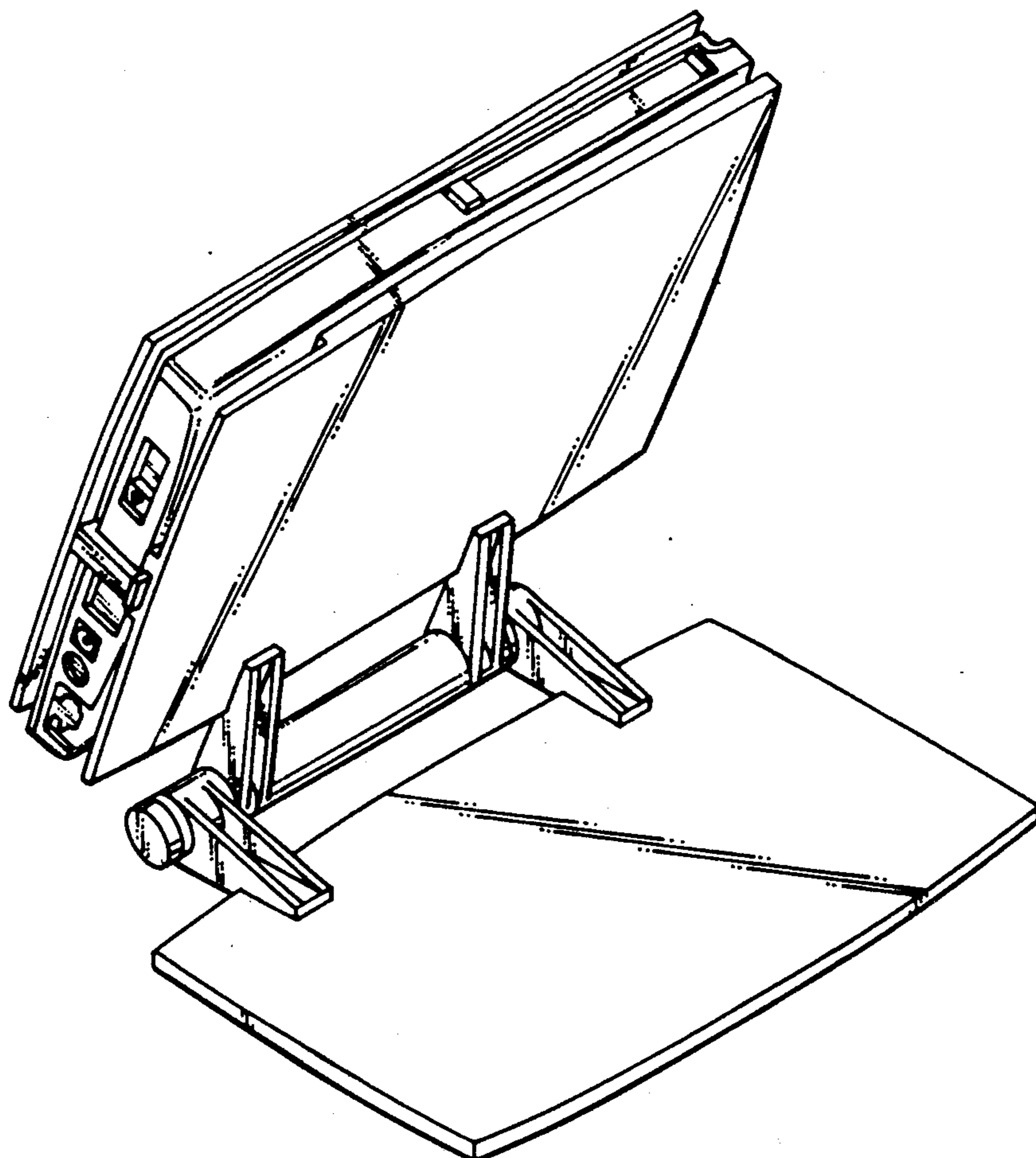


FIG. 1.

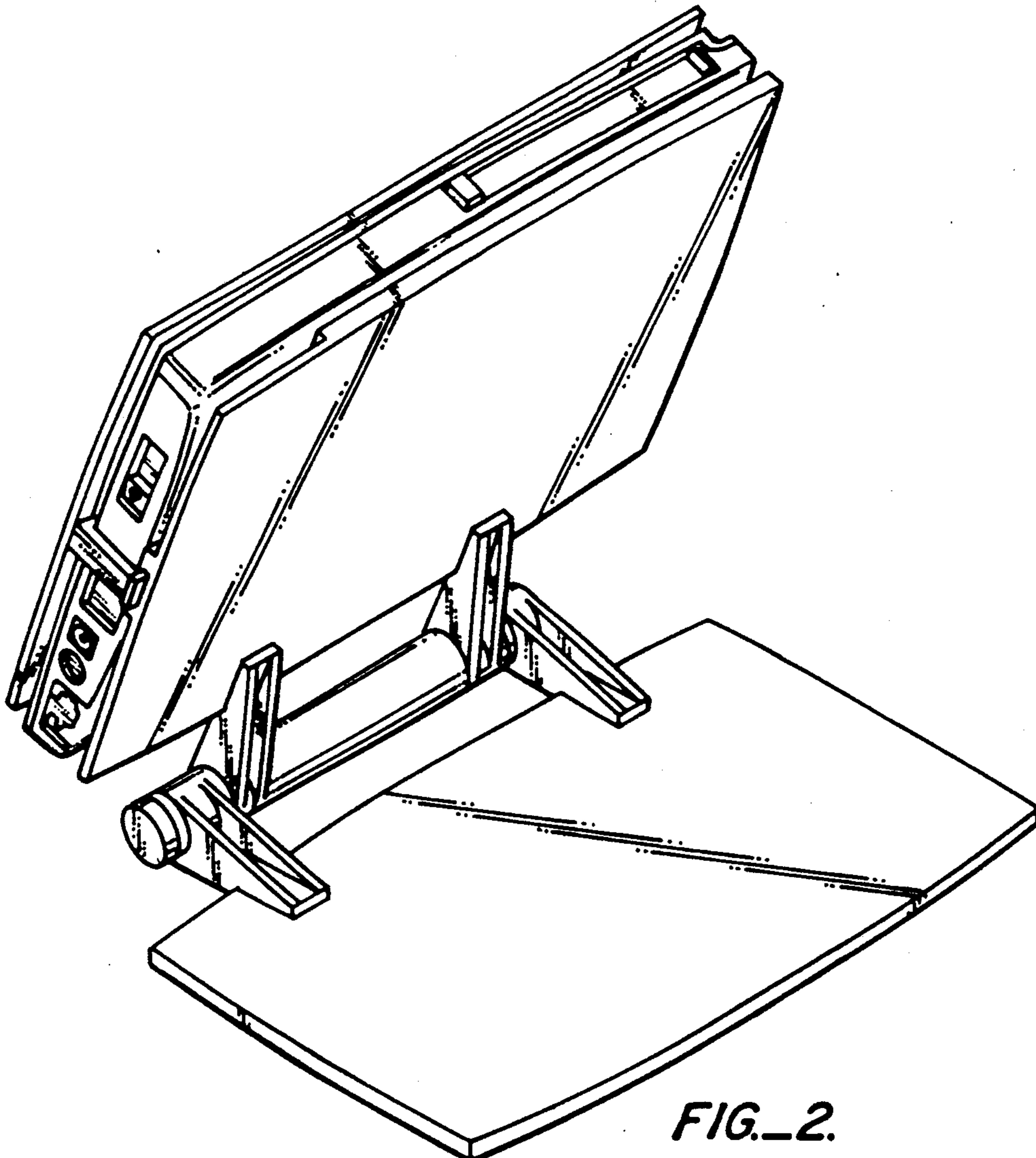
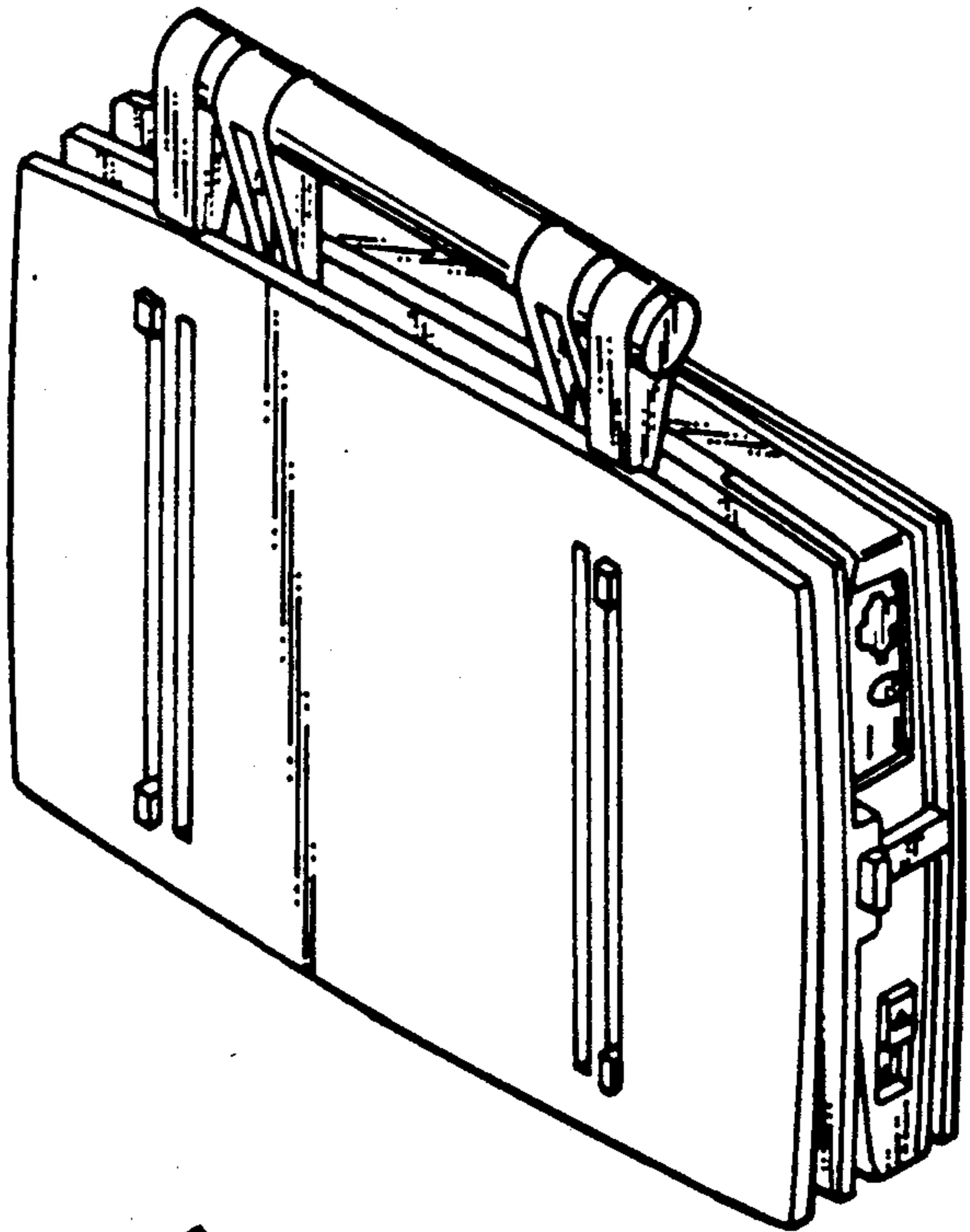


FIG. 2.

FIG. 3.

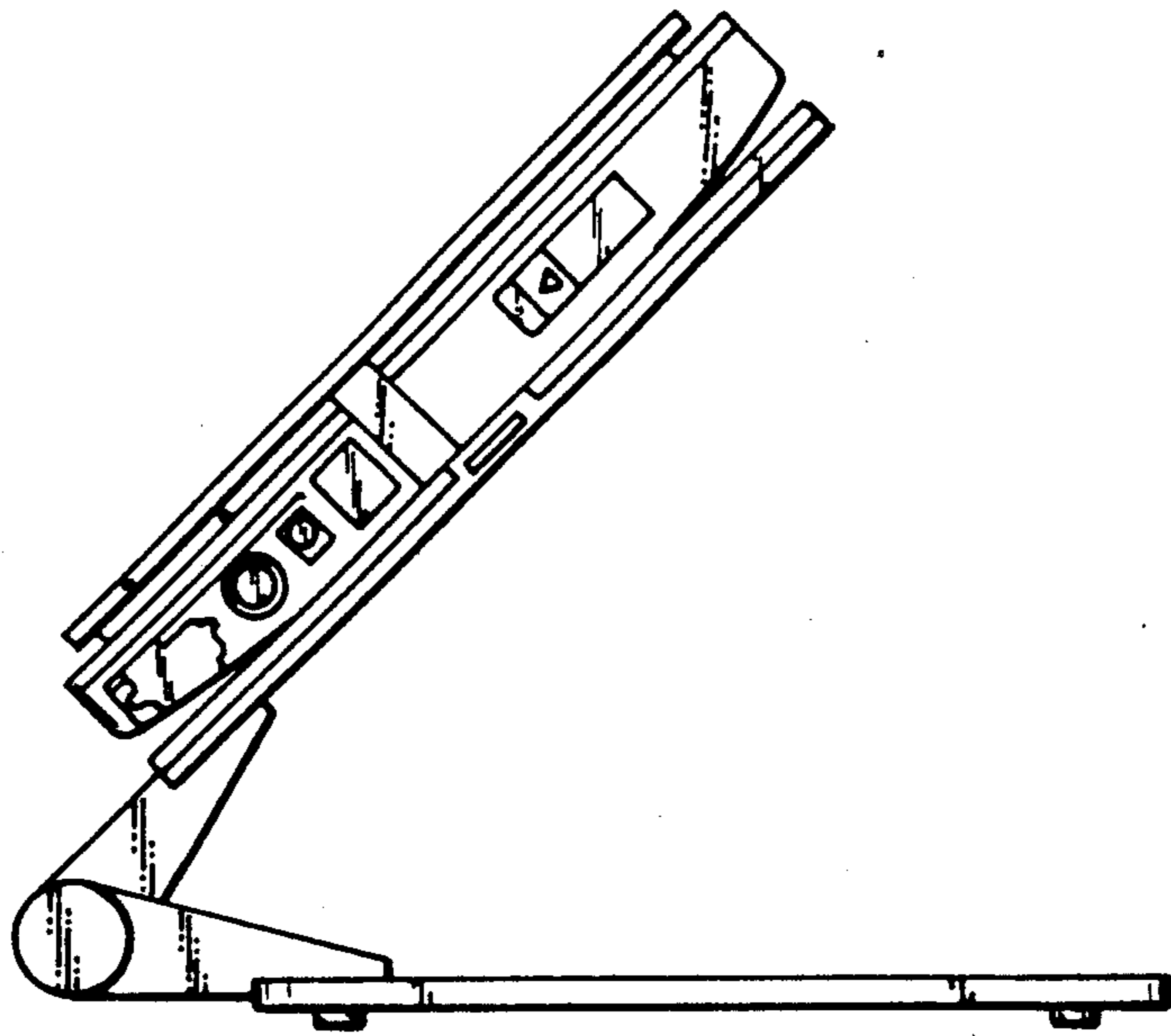


FIG. 4.

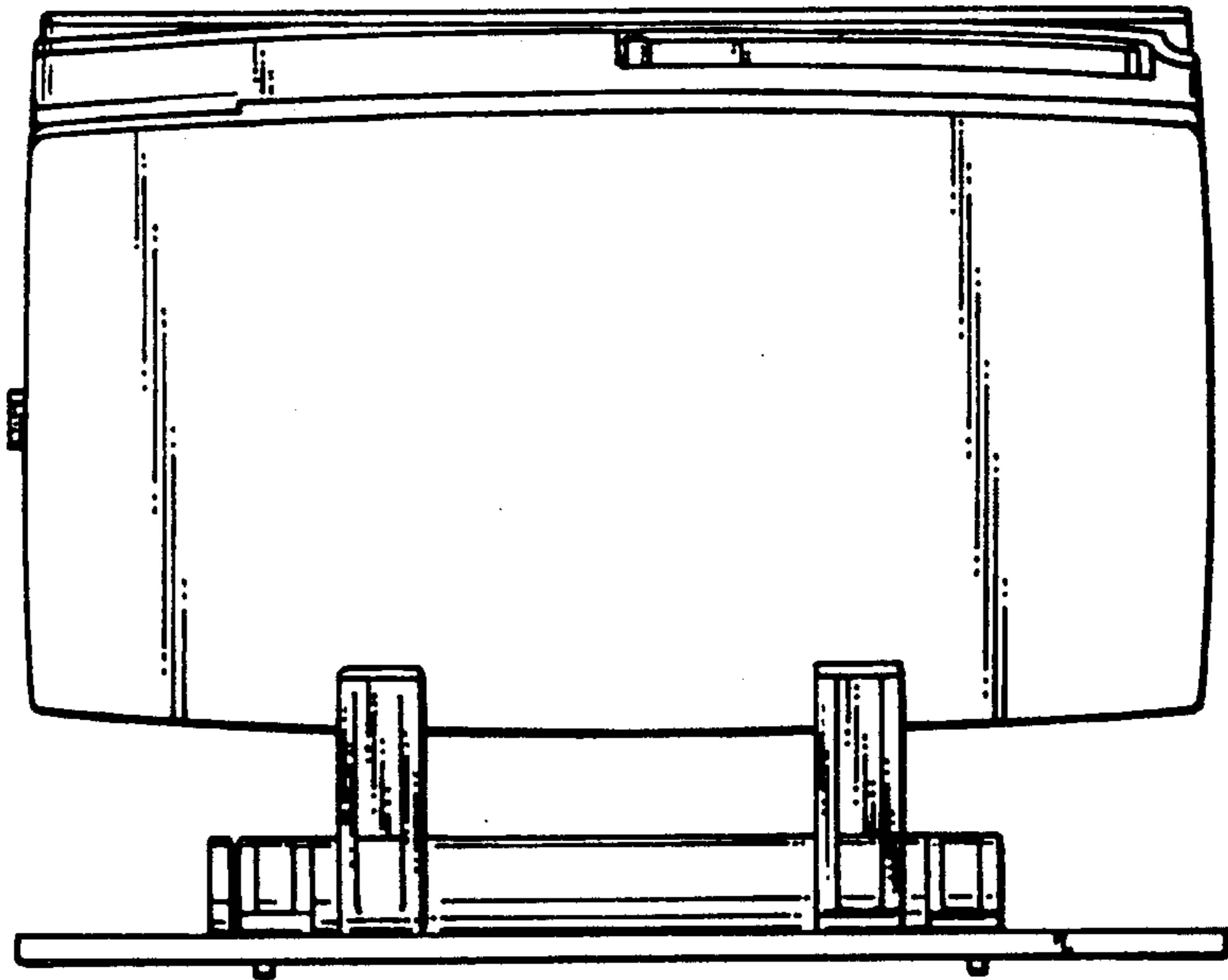
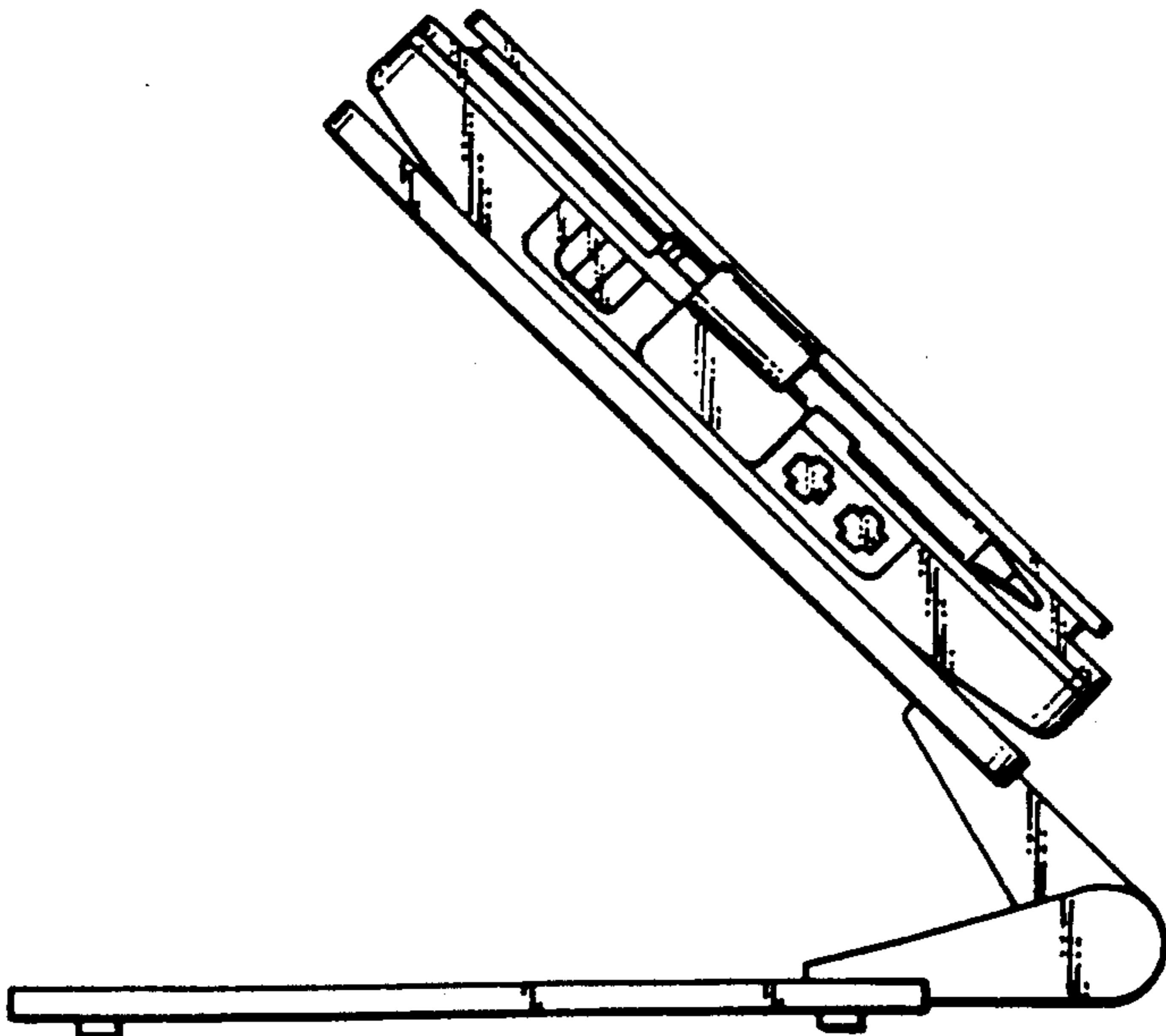


FIG. 6.



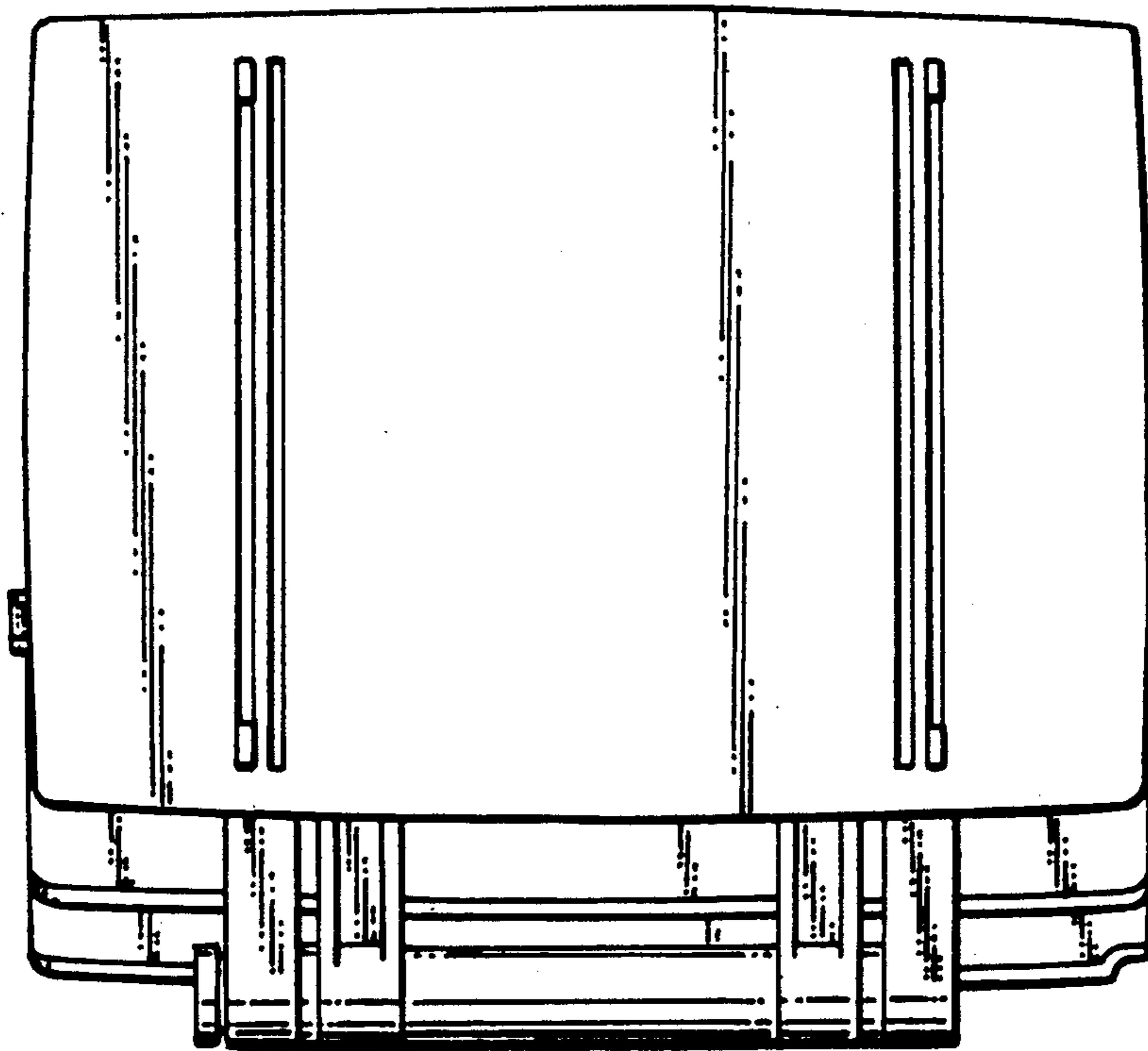


FIG. 5.