

[54] **ALL WEATHER COVERING FOR CABLE TELEVISION EQUIPMENT**

[76] **Inventor: William H. Channell, 122 Oak Tree Dr., Glendora, Calif. 91740**

[*] **Notice: The portion of the term of this patent subsequent to Oct. 11, 2002 has been disclaimed.**

[**] **Term: 14 Years**

[21] **Appl. No.: 176,390**

[22] **Filed: Mar. 31, 1988**

[52] **U.S. Cl. D13/184**

[58] **Field of Search D13/40; D14/239; 174/50, 50.51, 66; 361/379, 383**

[56] **References Cited**

U.S. PATENT DOCUMENTS

D. 109,066 1/1938 Totterman D13/110
D. 143,366 12/1945 Tandler et al. D15/1
D. 298,031 10/1988 Channell D14/239
4,802,060 1/1989 Immel 361/379

FOREIGN PATENT DOCUMENTS

299651 8/1965 Netherlands 220/4 B

Primary Examiner—Susan J. Lucas
Assistant Examiner—J. Sincavage
Attorney, Agent, or Firm—Christie, Parker & Hale

[57] **CLAIM**

The ornamental design for an all weather covering for cable television equipment, as shown and described.

DESCRIPTION

FIG. 1 is a top perspective view of an all weather covering for cable television equipment showing my new design.

FIG. 2 is a side elevational view thereof, the opposite side elevational view being a mirror image.

FIG. 3 is an end elevational view thereof, the opposite end elevational view being a mirror image.

FIG. 4 is a top plan view thereof.

FIG. 5 is a top perspective view of an all-weather covering for cable television equipment showing a second embodiment of my new design.

FIG. 6 is a side elevational view of the design shown in FIG. 5, the opposite side elevational view being a mirror image.

FIG. 7 is an end elevational view of the design shown in FIG. 5, the opposite end elevational view being a mirror image.

FIG. 8 is a top plan view of the design shown in FIG. 5.

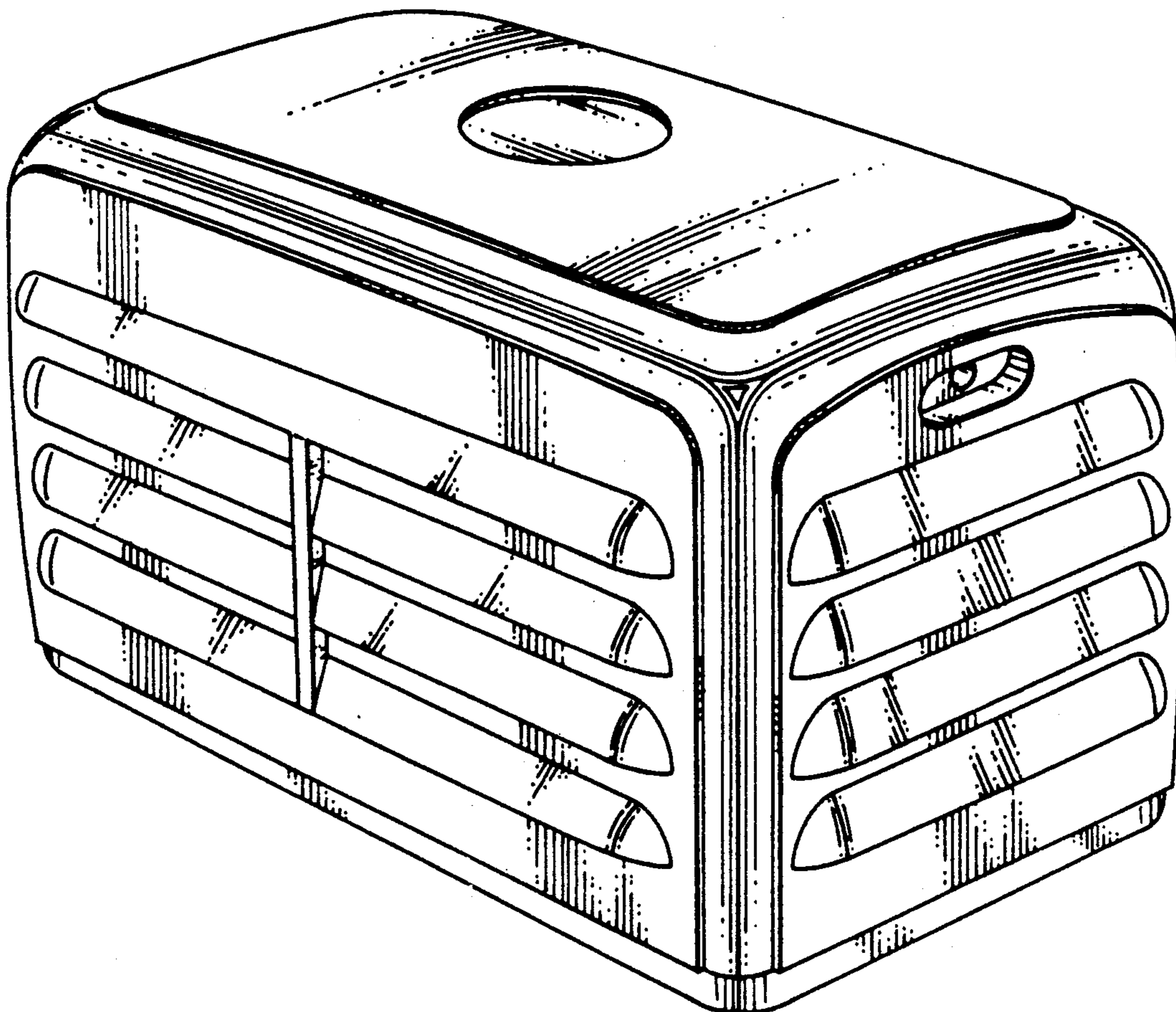


Fig. 1

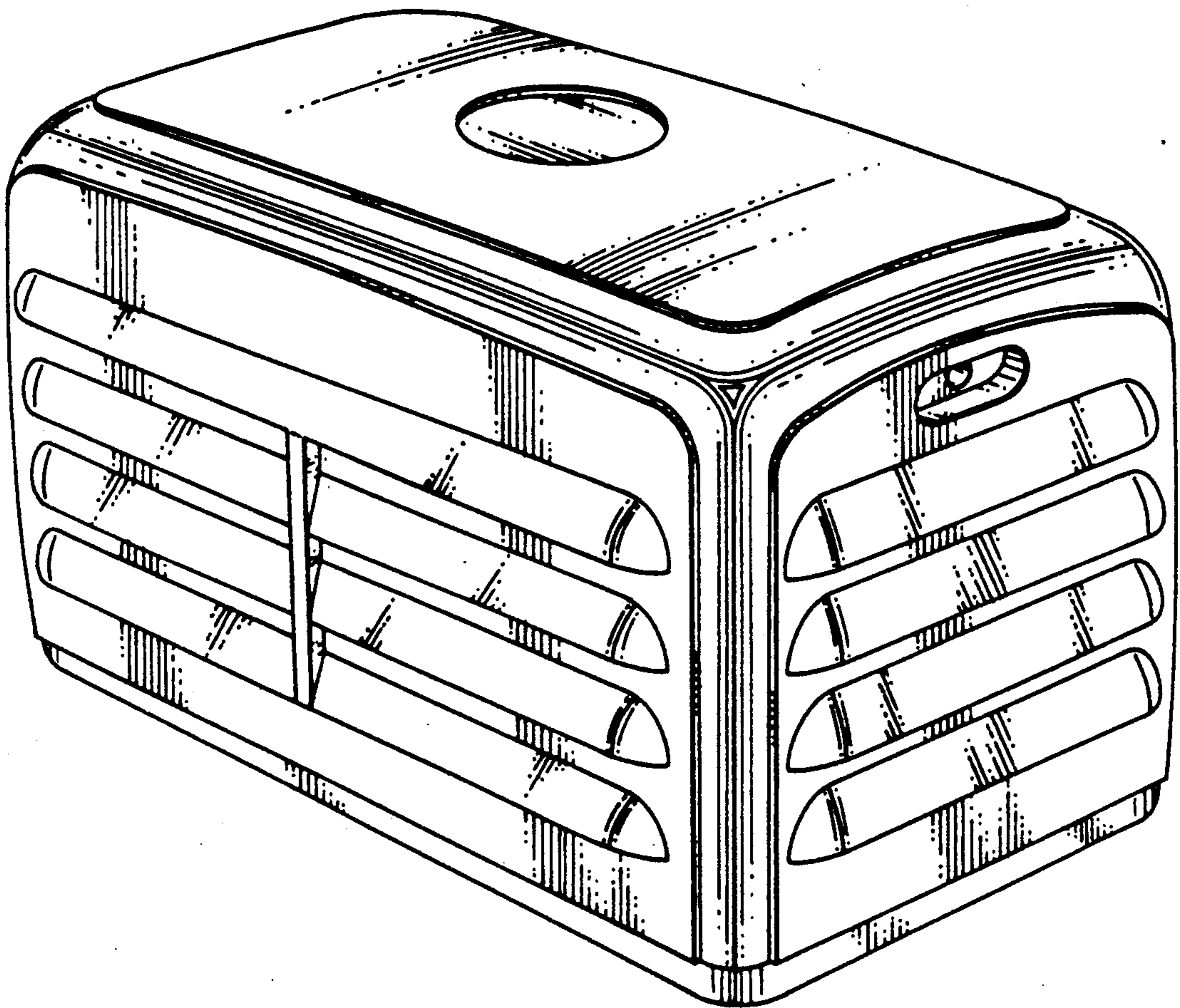


Fig. 3

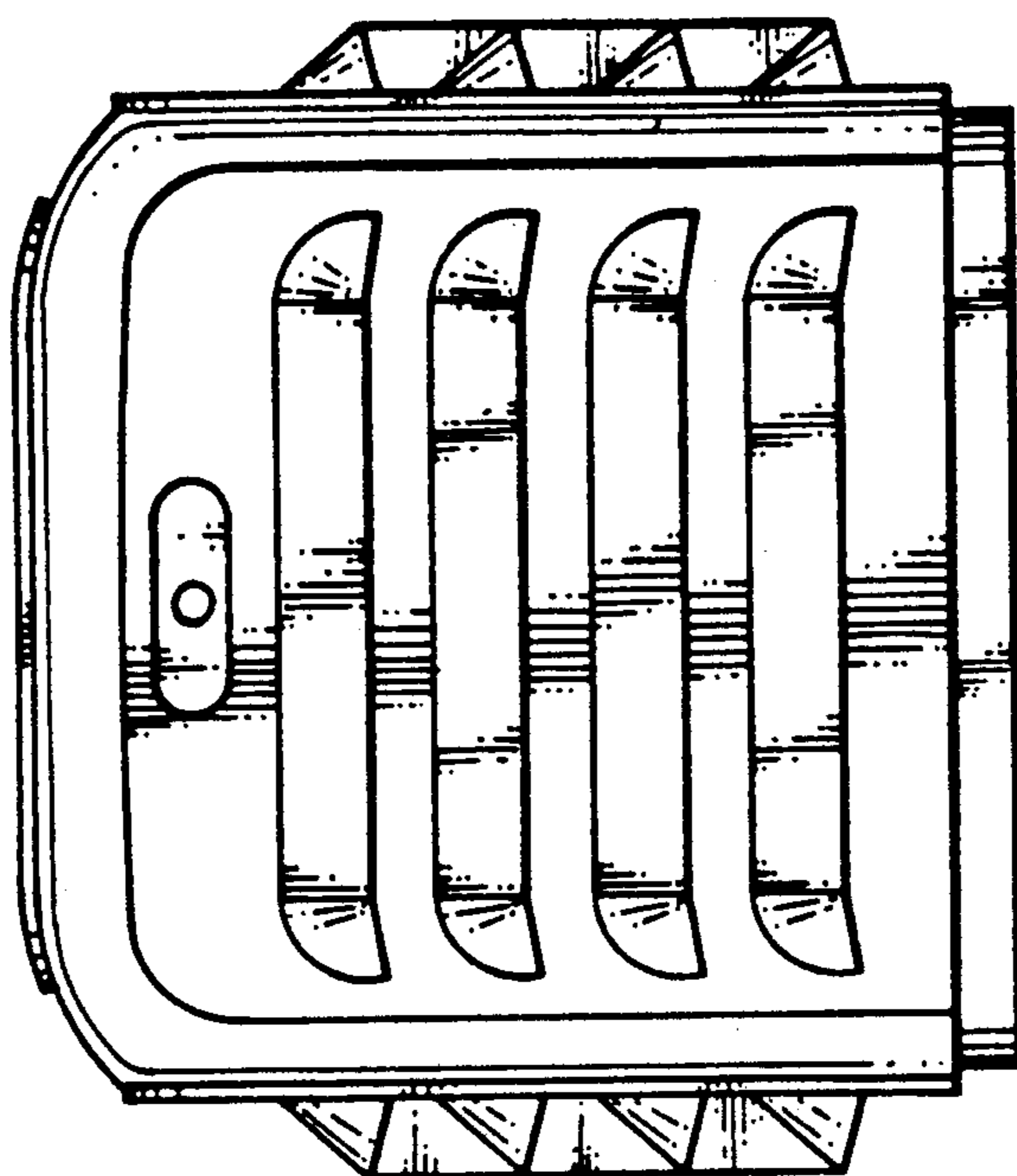


Fig. 2

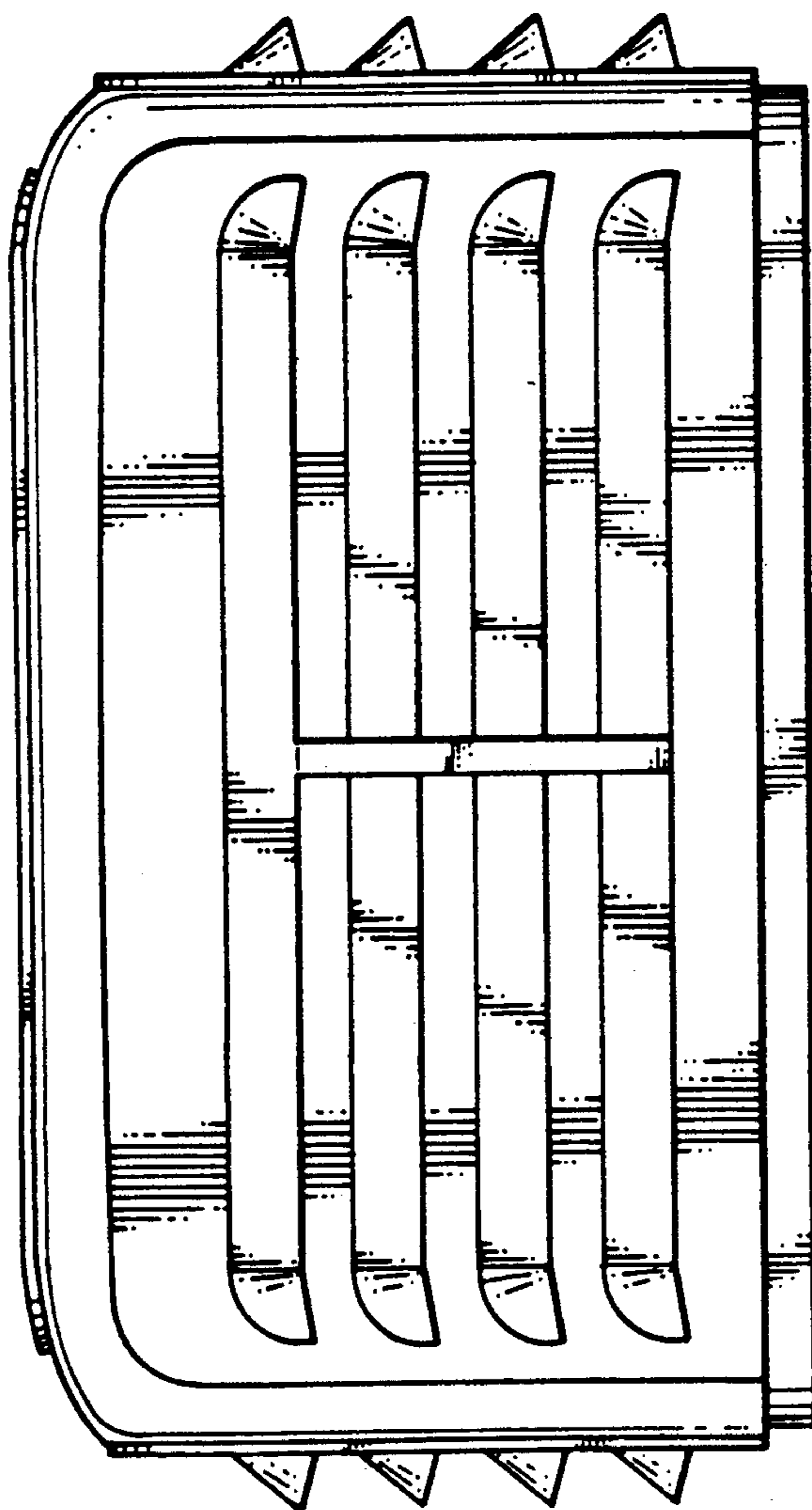


Fig. 1

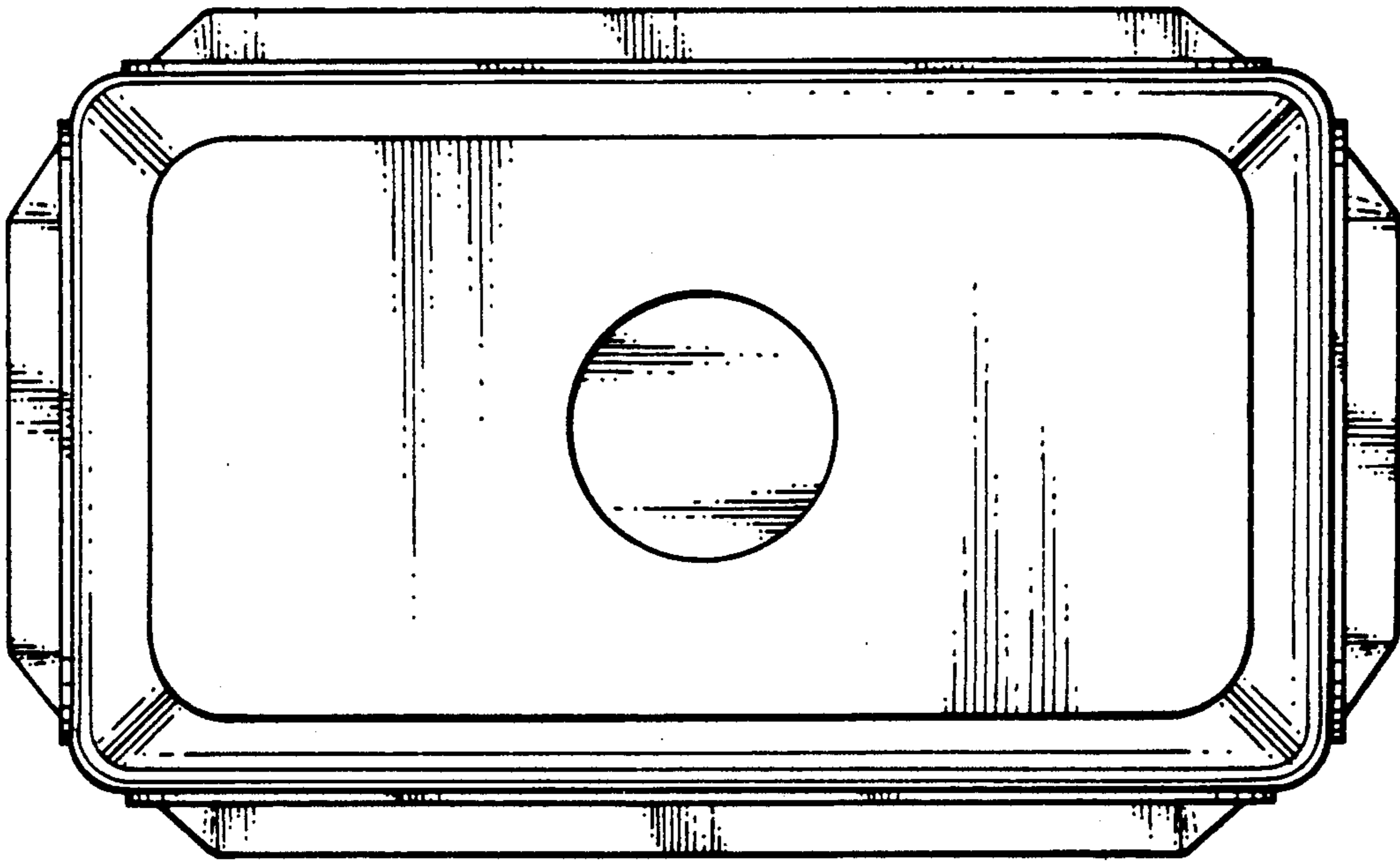


Fig. 5

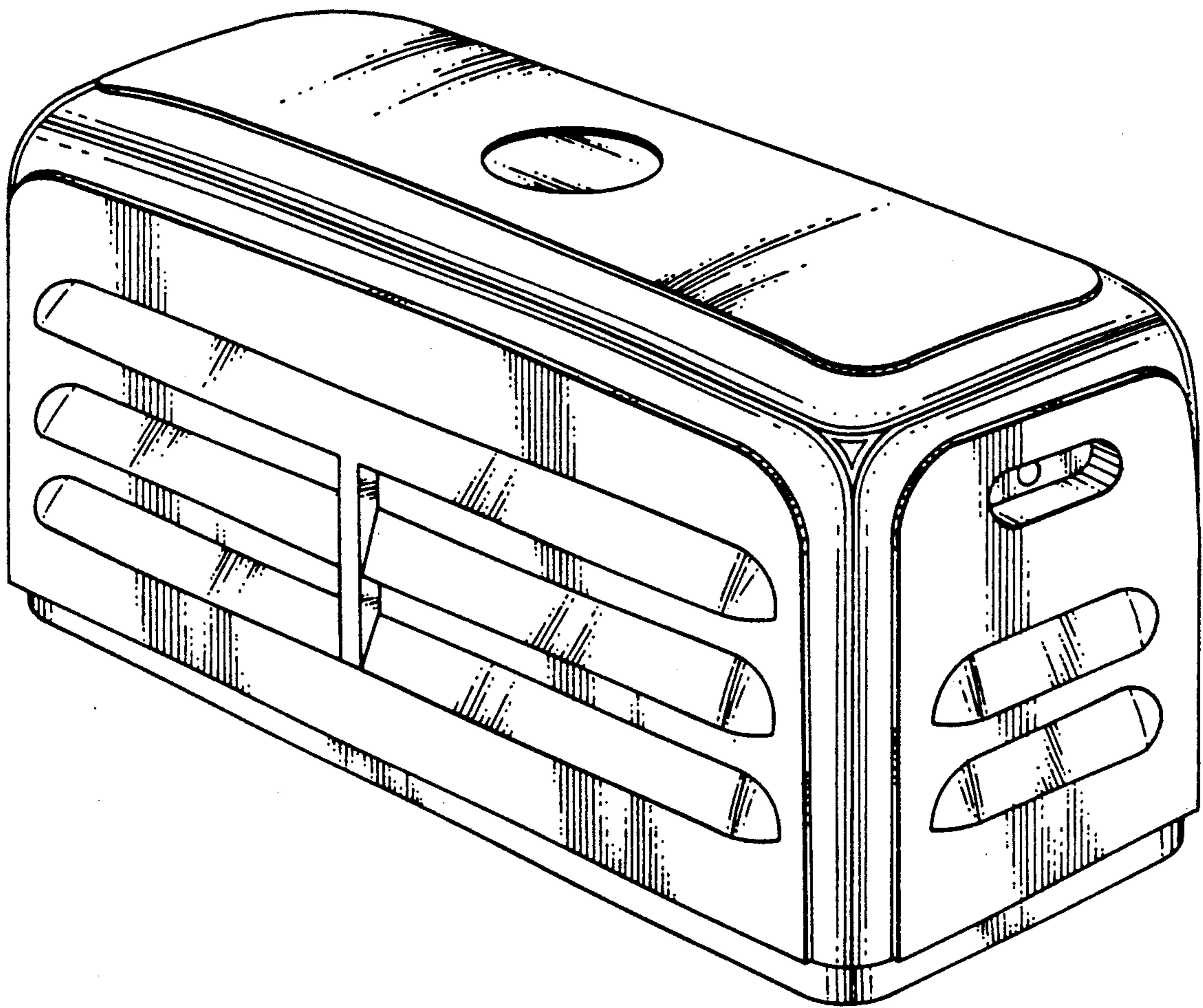


Fig. 6

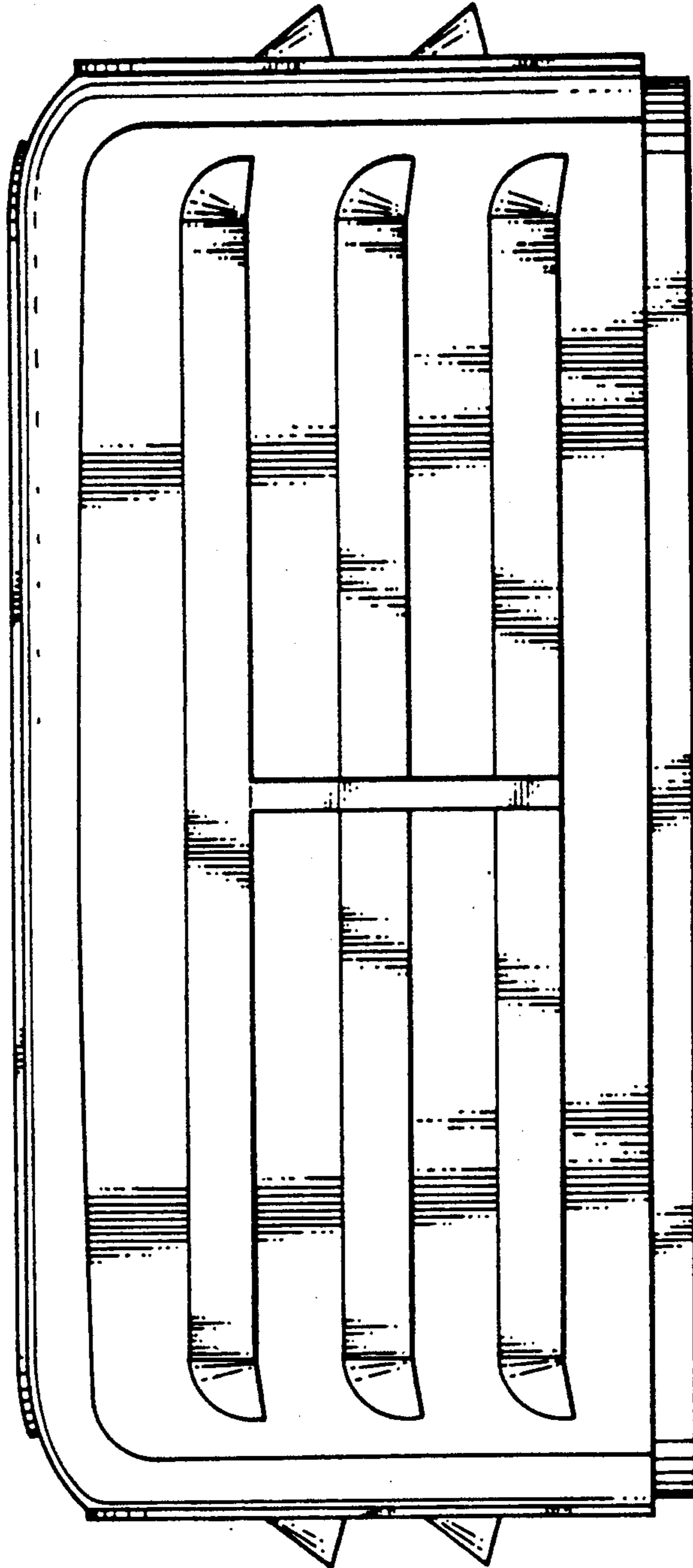


Fig. 7

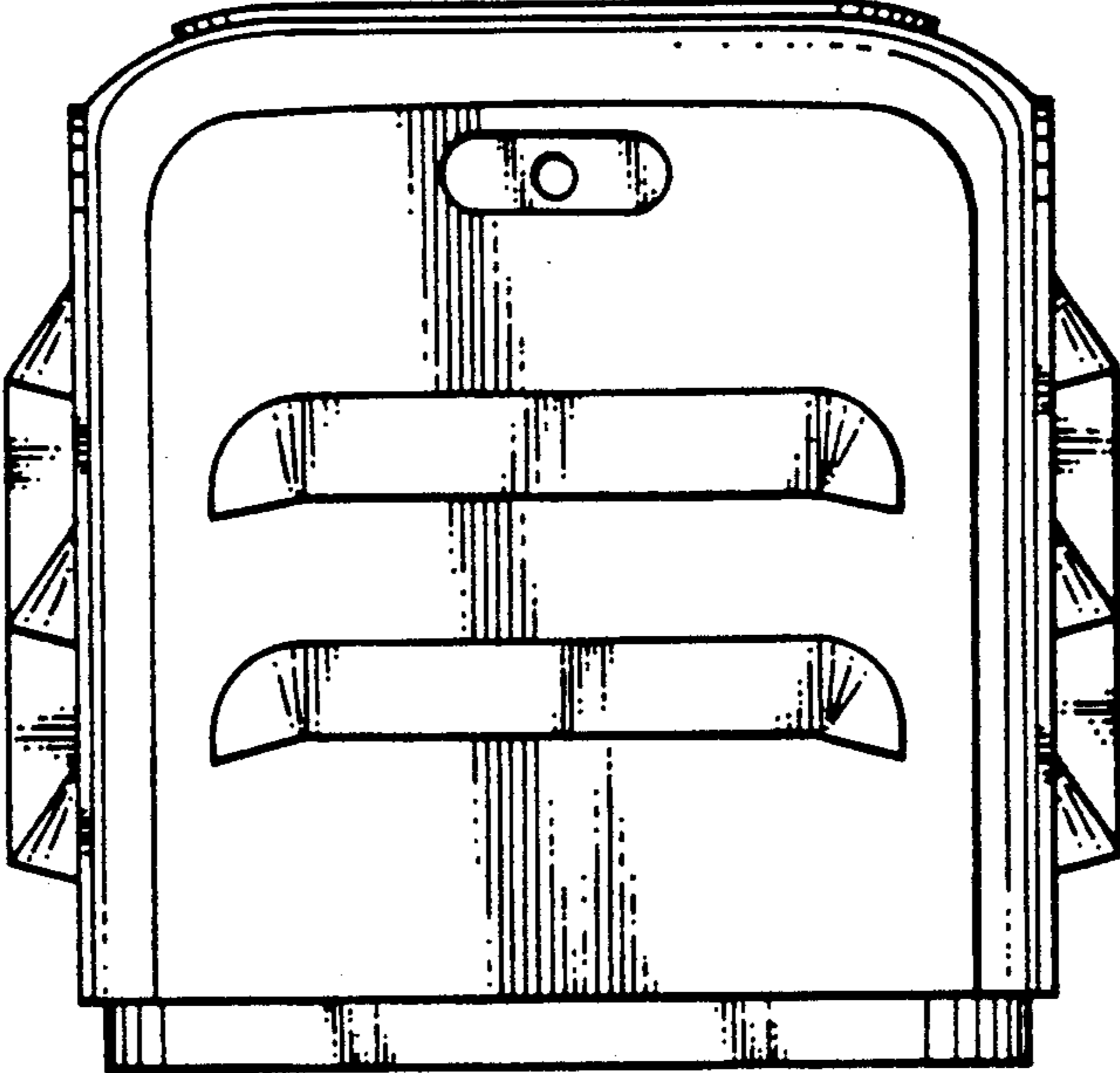


Fig. 8

