

[54] **CLIP-ON HEAT SINK FOR AN ELECTRONIC DEVICE**

[75] **Inventor: Albert F. McCarthy, Laconia, N.H.**

[73] **Assignee: Aavid Engineering, Inc., Laconia, N.H.**

[**] **Term: 14 Years**

[21] **Appl. No.: 361,969**

[22] **Filed: Jun. 6, 1989**

[52] **U.S. Cl. D13/179**

[58] **Field of Search D13/179; 357/81; 174/16.3; 361/386, 388; 165/80.3**

[56] **References Cited**

U.S. PATENT DOCUMENTS

D. 284,851	7/1986	Moore	D13/179
D. 295,281	4/1988	Moore	D13/179
D. 295,282	4/1988	Moore	D13/179
4,054,901	10/1977	Edwards et al.	357/81
4,710,852	12/1987	Keen	361/386
4,729,426	3/1988	Hinshaw	174/16.3

Primary Examiner—Susan J. Lucas
Assistant Examiner—Joel Sincavage
Attorney, Agent, or Firm—Fish & Richardson

[57] **CLAIM**

The ornamental design for a clip-on heat sink for an electronic device, as shown and described.

DESCRIPTION

FIG. 1 is a top, front perspective view of a clip-on heat sink for an electronic device showing my new design, the electronic device being shown in broken lines for illustrative purposes and forms no part of the claimed design;

FIG. 2 is a top plan view thereof;

FIG. 3 is a bottom plan view thereof;

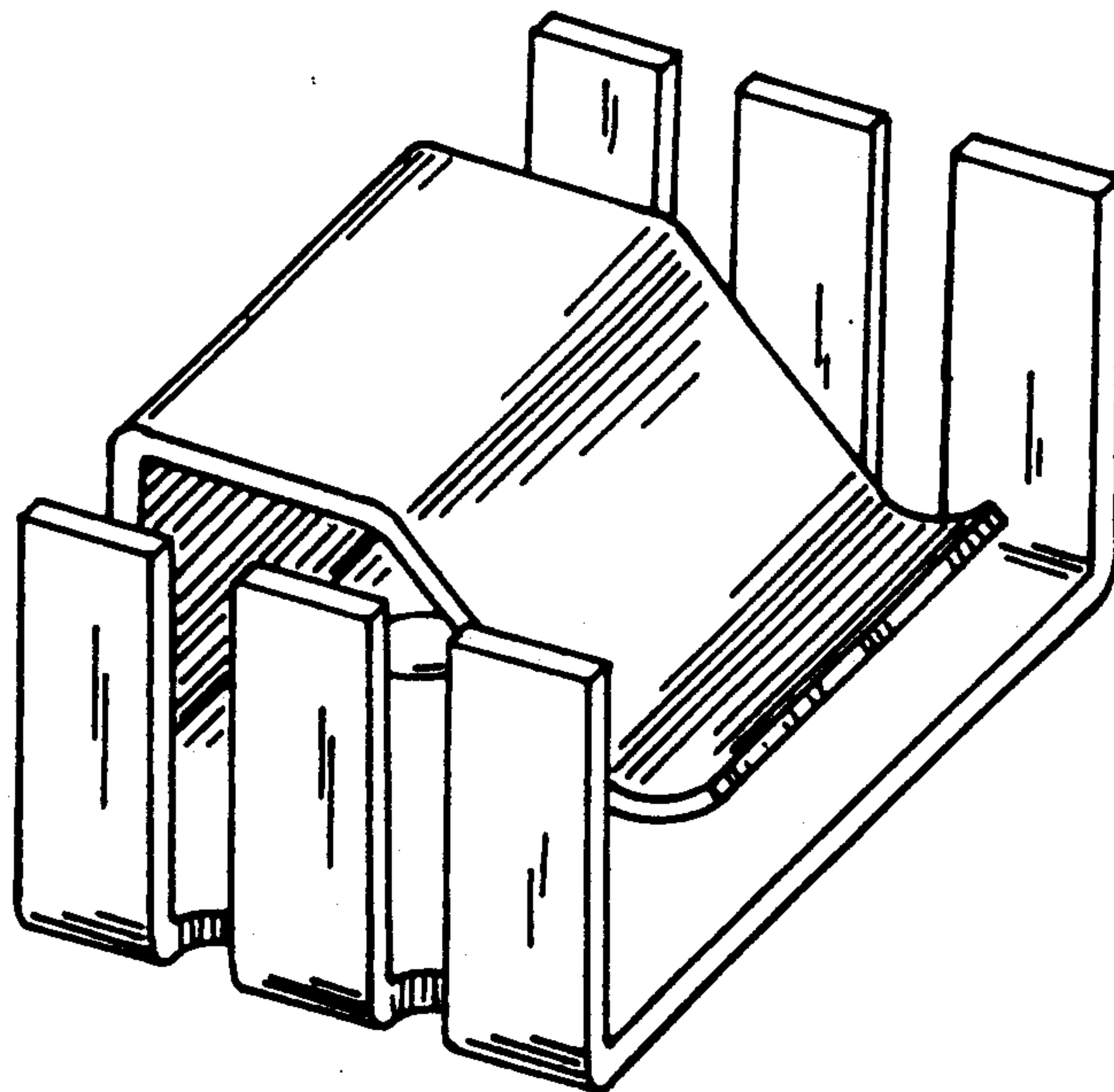
FIG. 4 is a left side elevation thereof;

FIG. 5 is a right side elevation thereof;

FIG. 6 is a rear elevation thereof; and

FIG. 7 is a front elevation thereof.

FIG. 8 is a top, front perspective view of a clip on heat sink showing my new design.



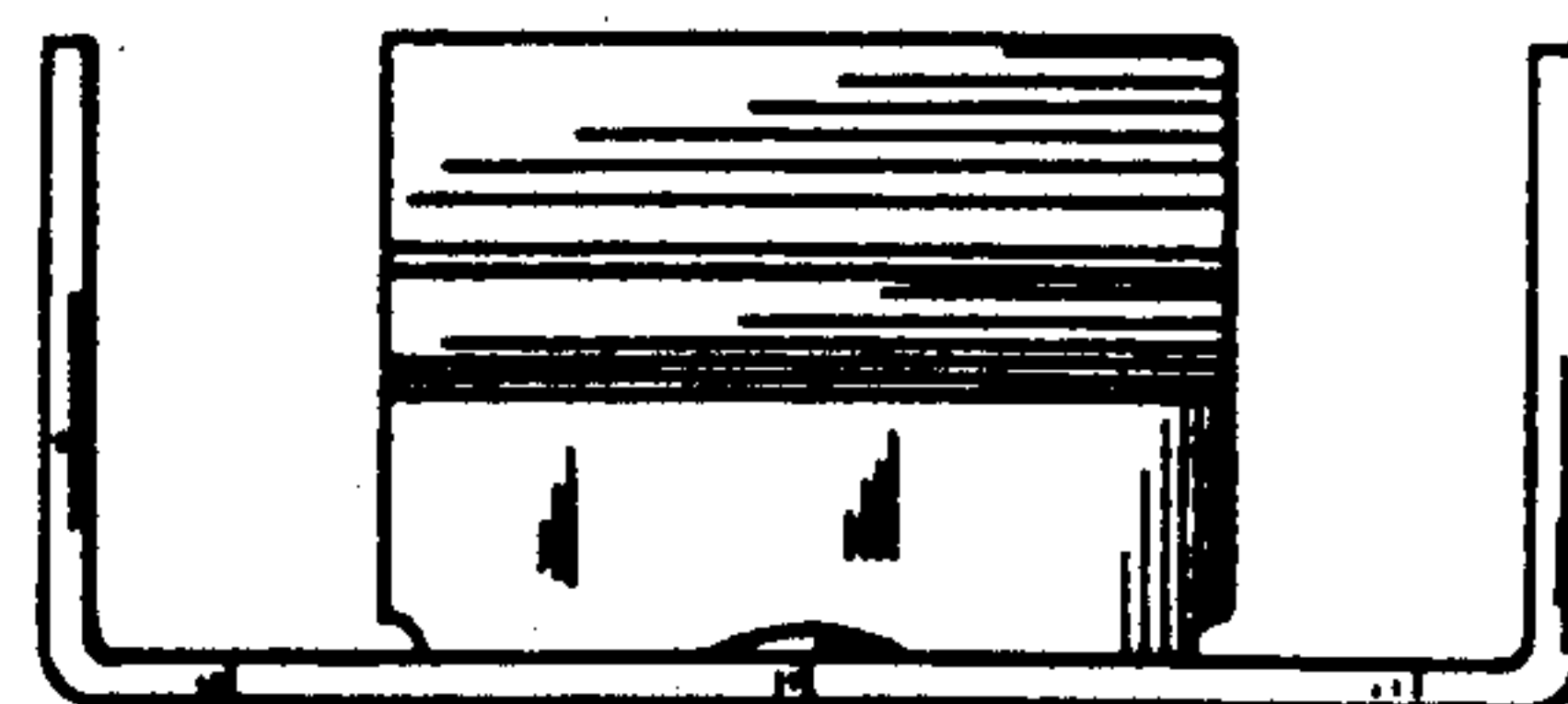
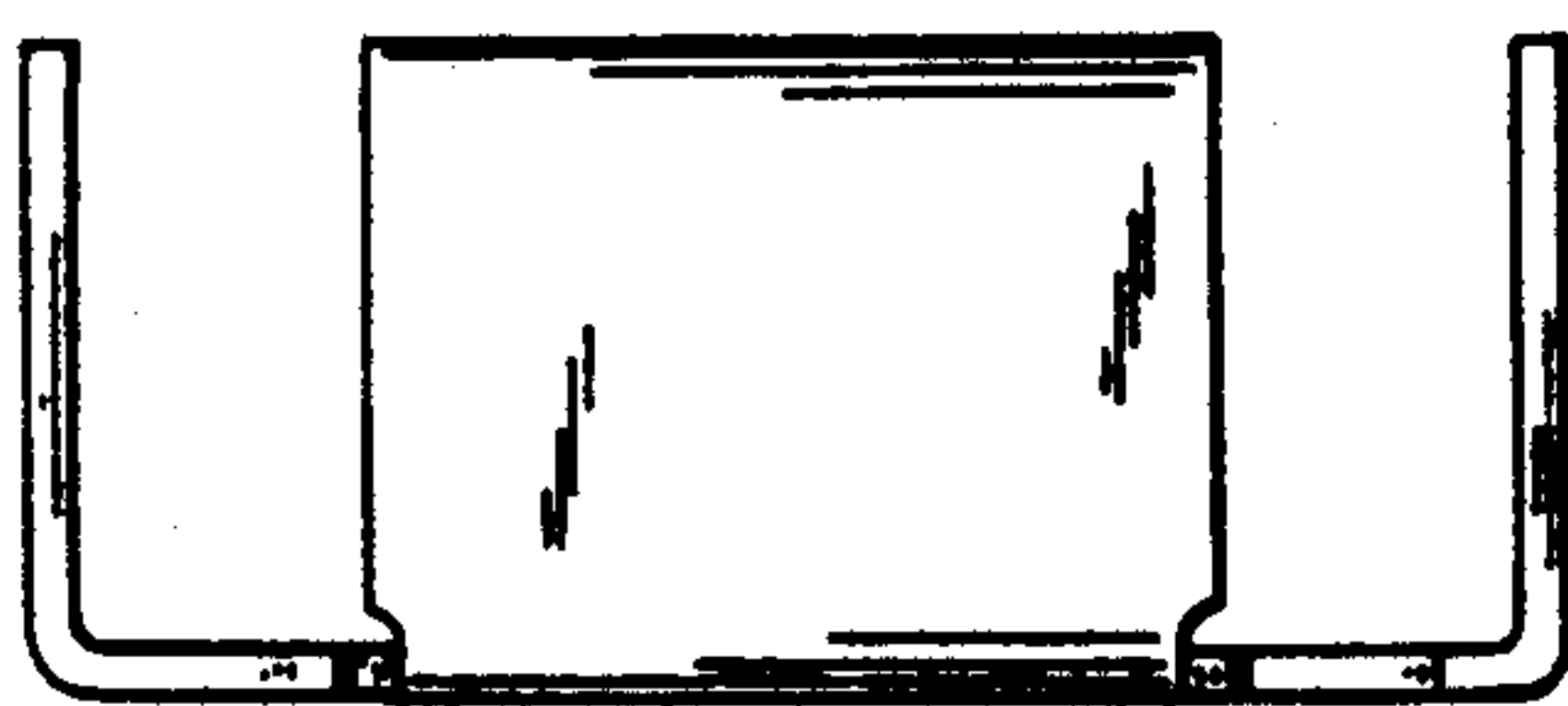
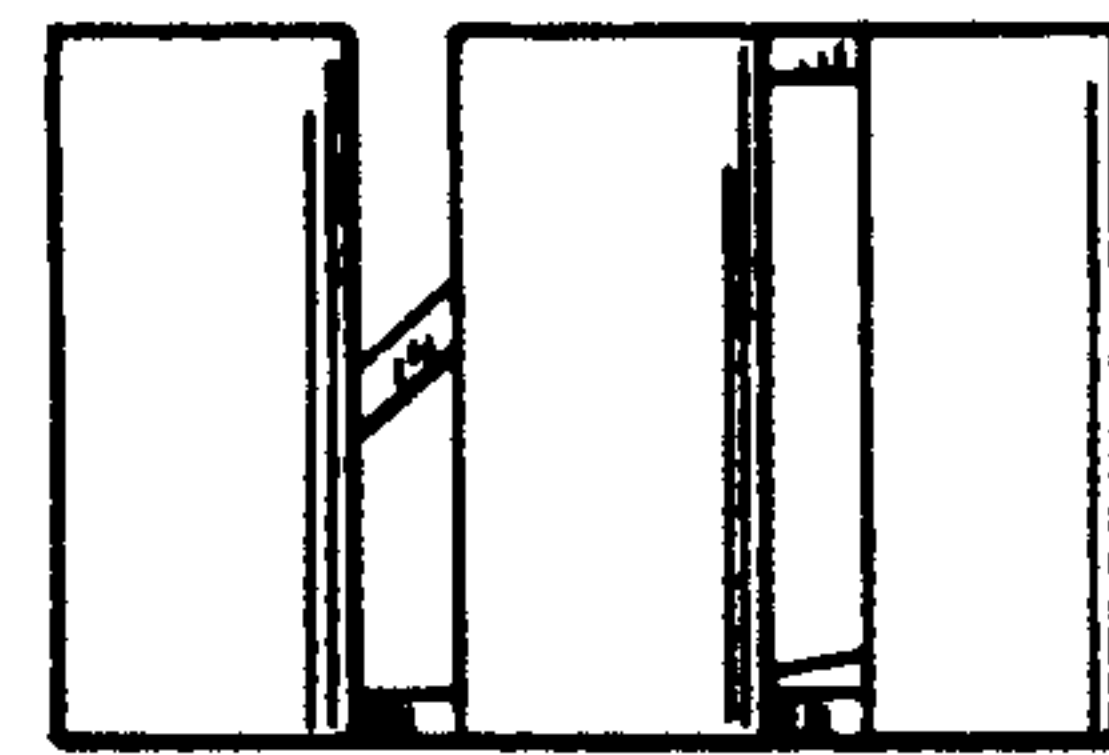
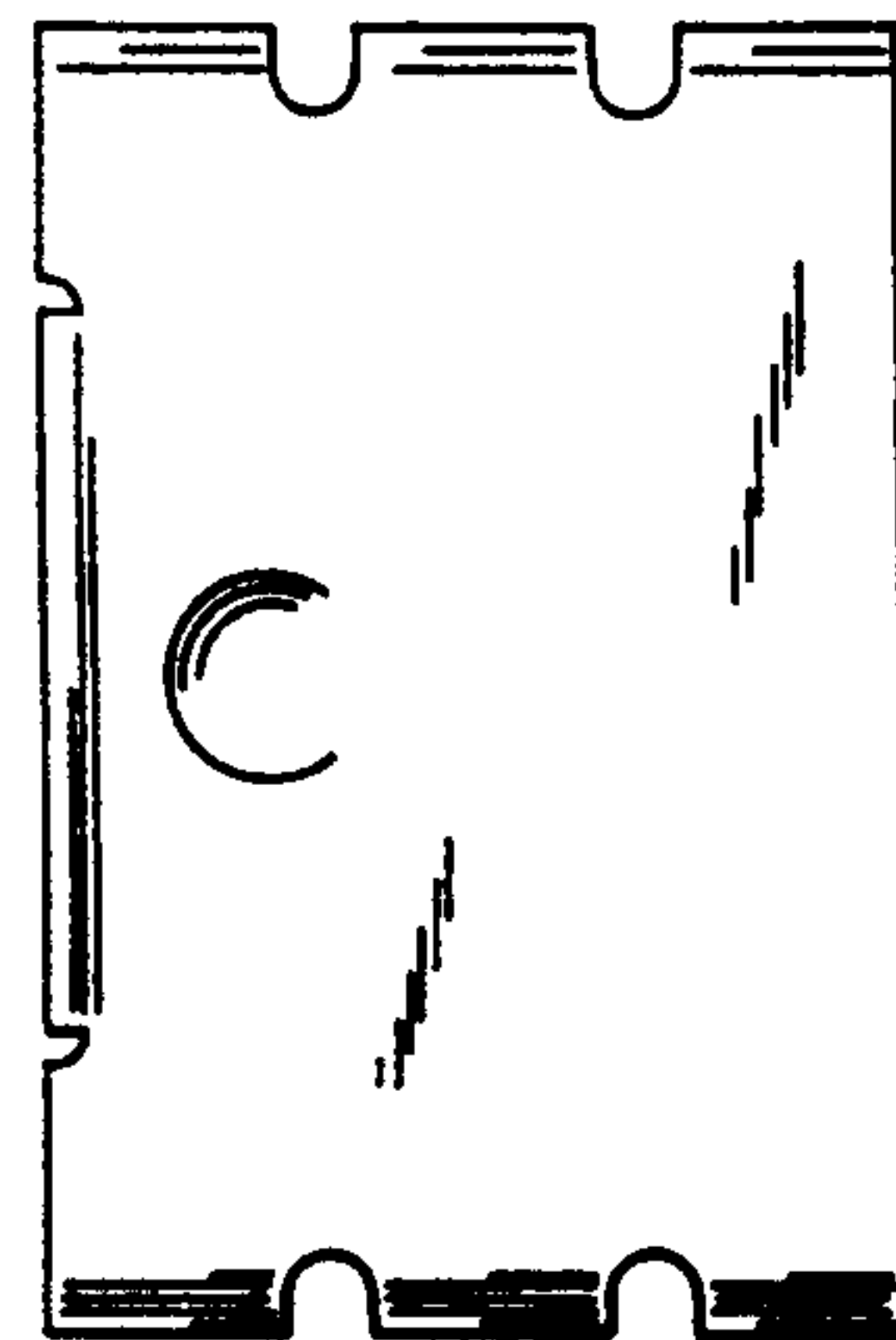
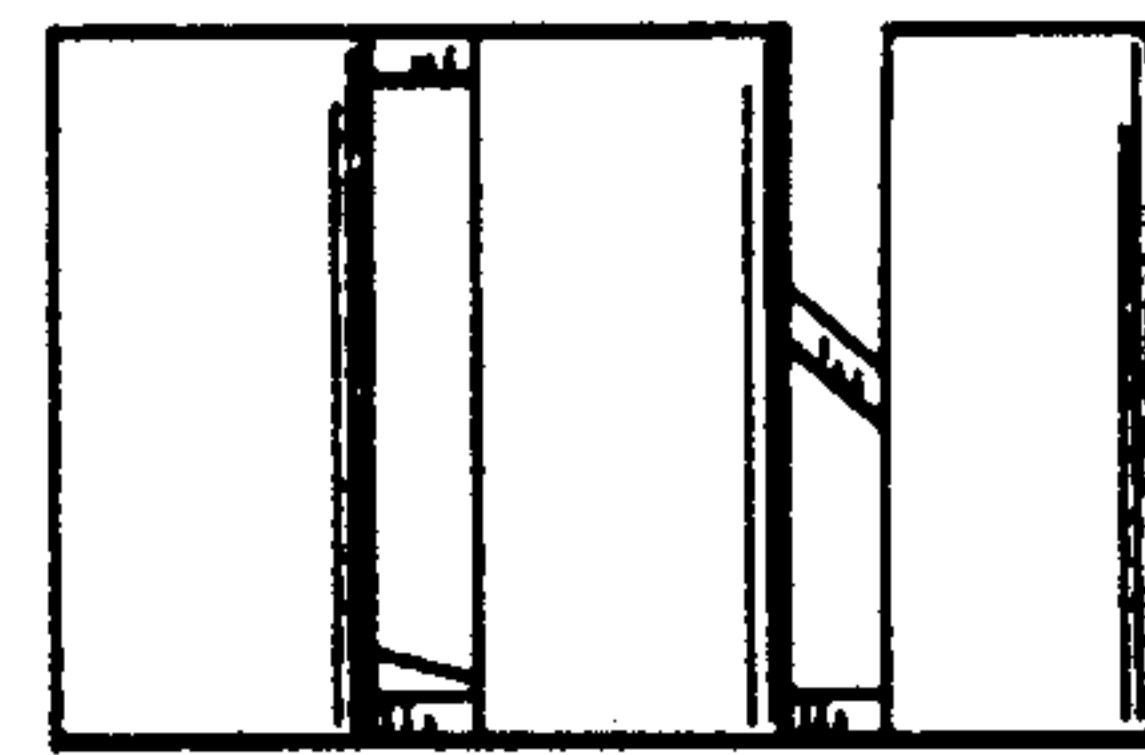
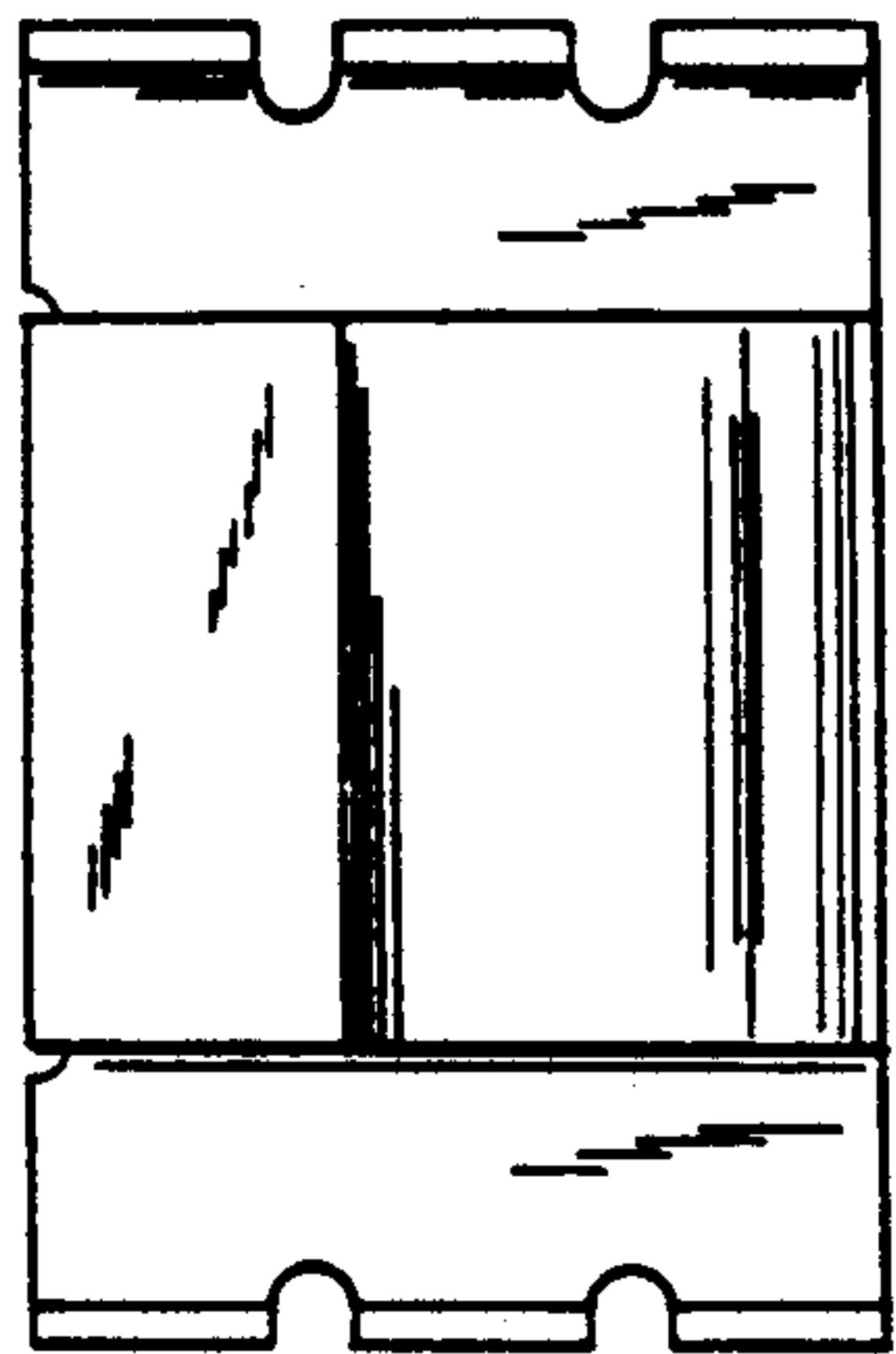
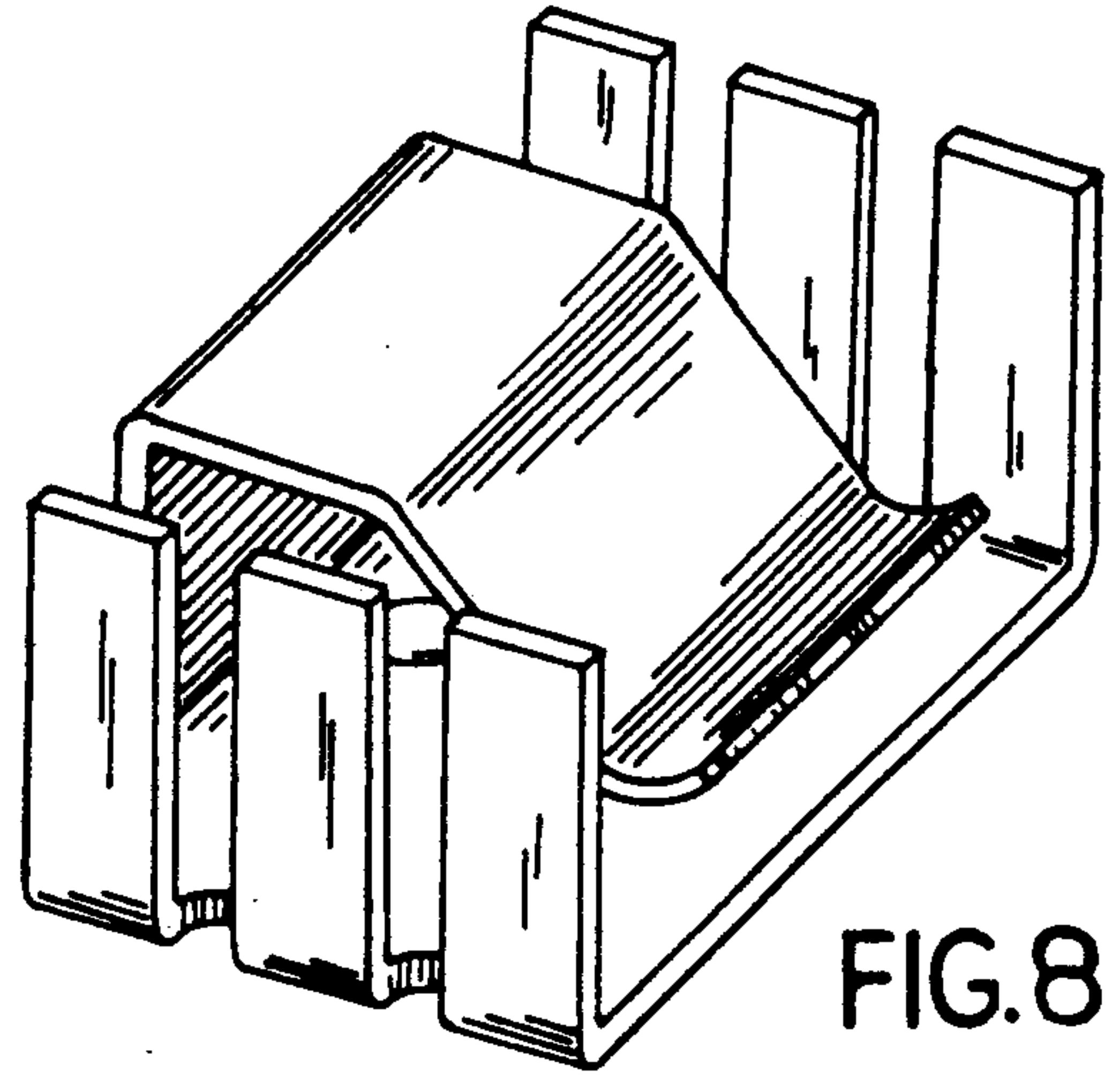
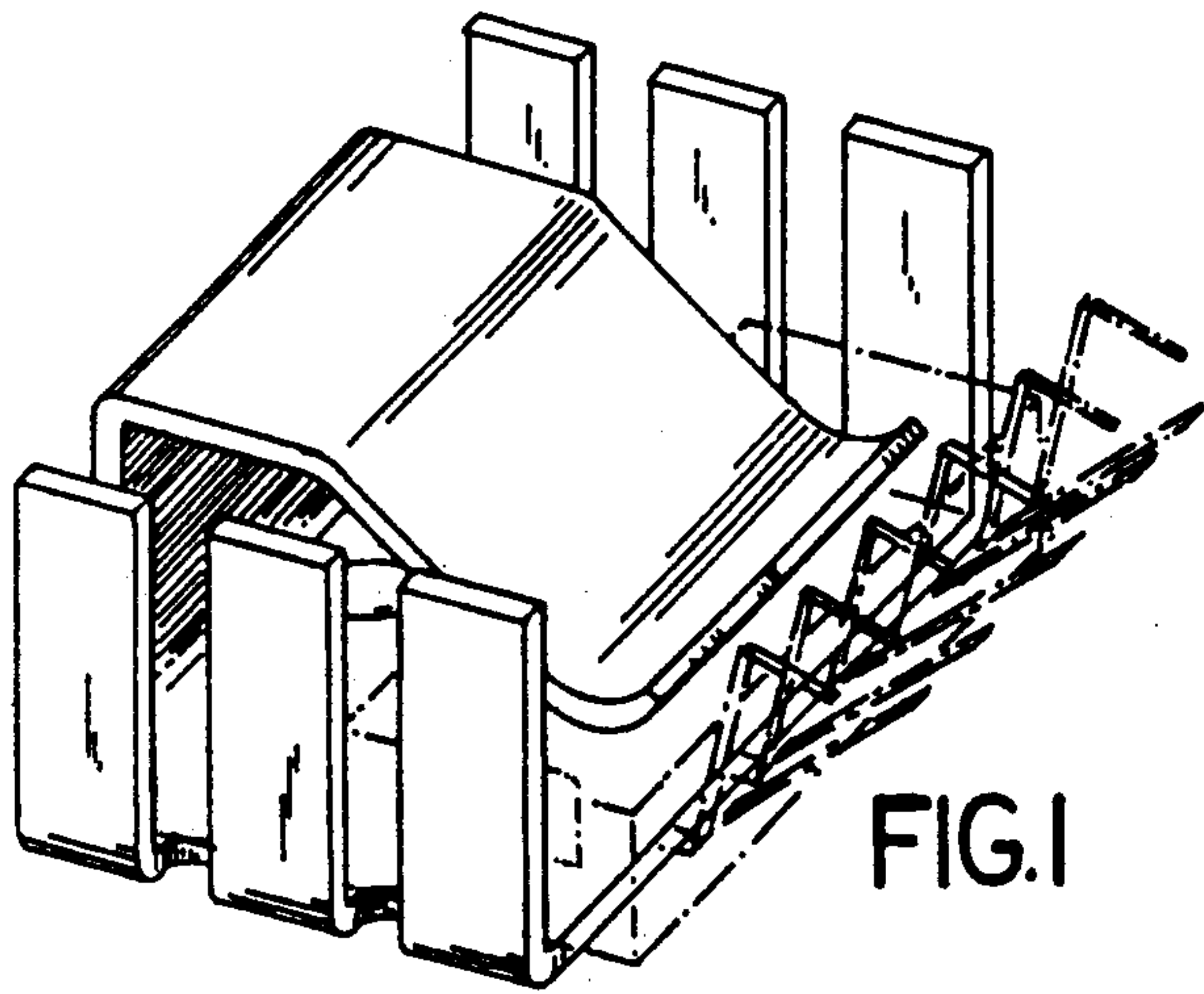


FIG. 6

FIG. 7