

[54] **DUAL TELECOMMUNICATIONS CONNECTOR**

26651 of 1913 United Kingdom 439/644

[75] **Inventor: Jay Garthwaite, Coupeville, Wash.**

[73] **Assignee: Leviton Manufacturing Co., Inc., Little Neck, N.Y.**

[**] **Term: 14 Years**

[21] **Appl. No.: 281,316**

[22] **Filed: Dec. 7, 1988**

[52] **U.S. Cl. D13/151; D13/133**

[58] **Field of Search D13/133, 151; 439/641, 439/644**

OTHER PUBLICATIONS

Burdy Electronic Products Data & Telecommunications Connectors catalog, Section F, p. 4, Coaxial Connectors ①, ② and ③, top right, top left, and lower left sides of page, respectively.

Primary Examiner—James M. Gandy
Assistant Examiner—Lisa Lichtenstein
Attorney, Agent, or Firm—Paul J. Sutton

[57] **CLAIM**

The ornamental design for a dual telecommunications connector, as shown.

DESCRIPTION

FIG. 1 is a right front perspective view of a dual telecommunications connector, showing my new design; FIG. 2 is a front elevation view thereof; FIG. 3 is a rear elevation view thereof; FIG. 4 is a top plan view thereof; FIG. 5 is a bottom plan view thereof; FIG. 6 is a right side elevation view thereof; and FIG. 7 is a left side elevation view thereof.

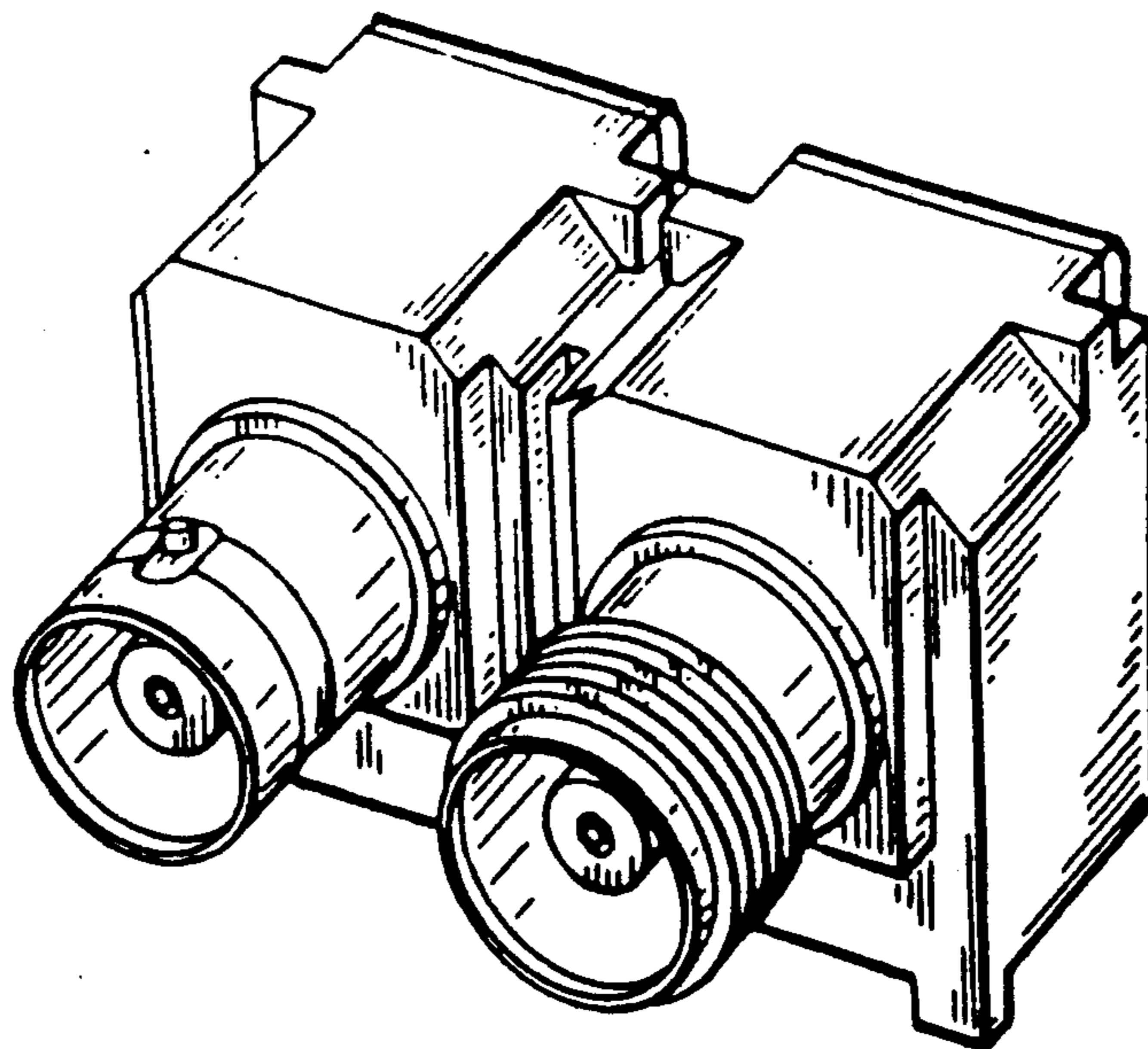
[56] **References Cited**

U.S. PATENT DOCUMENTS

D. 298,313 11/1988 De Jong D13/133
1,492,348 4/1924 Benjamin et al. 439/641
4,648,682 3/1987 Tubbs D13/133

FOREIGN PATENT DOCUMENTS

574090 7/1924 France 439/644



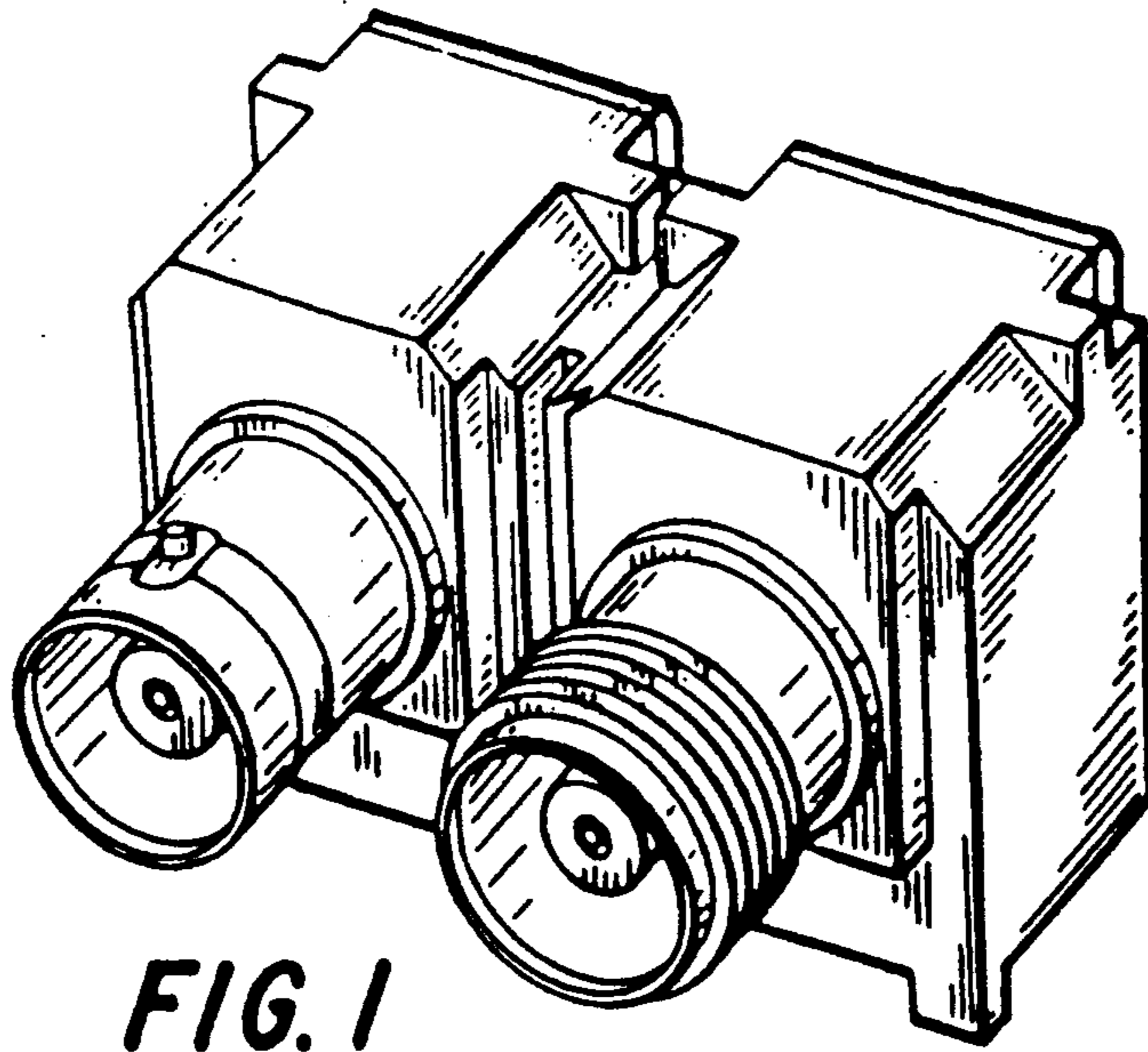


FIG. 1

FIG. 2

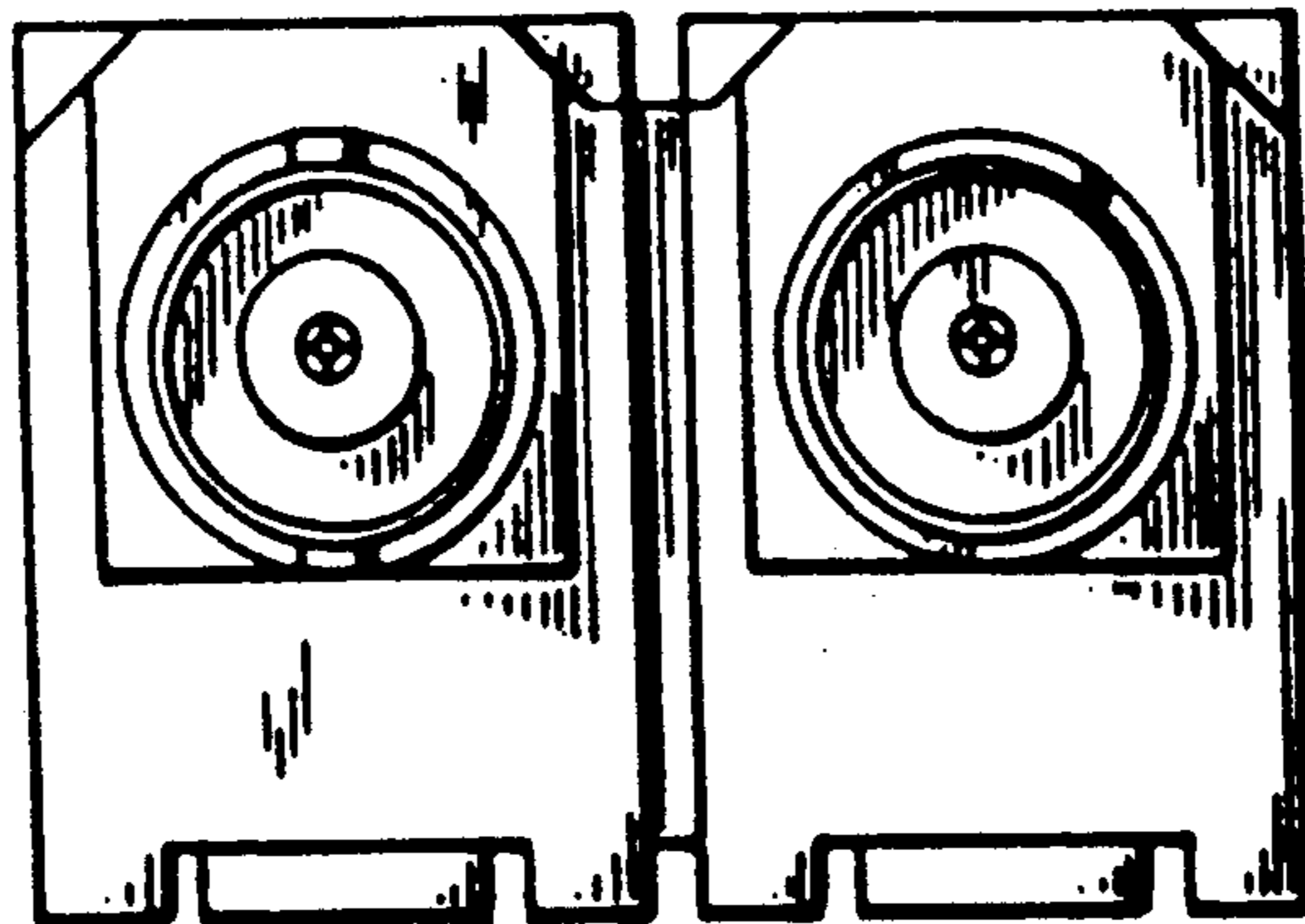
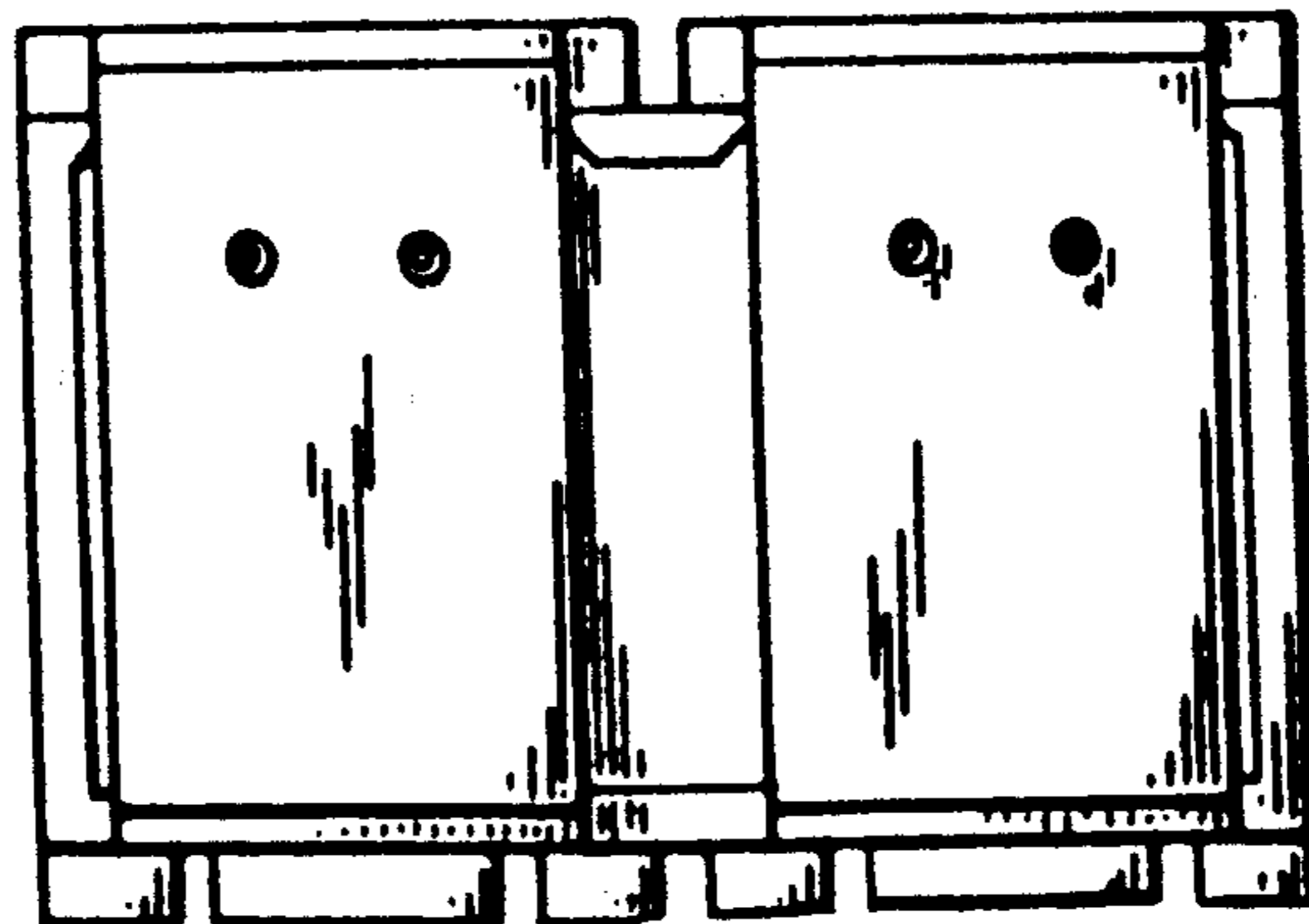


FIG. 3



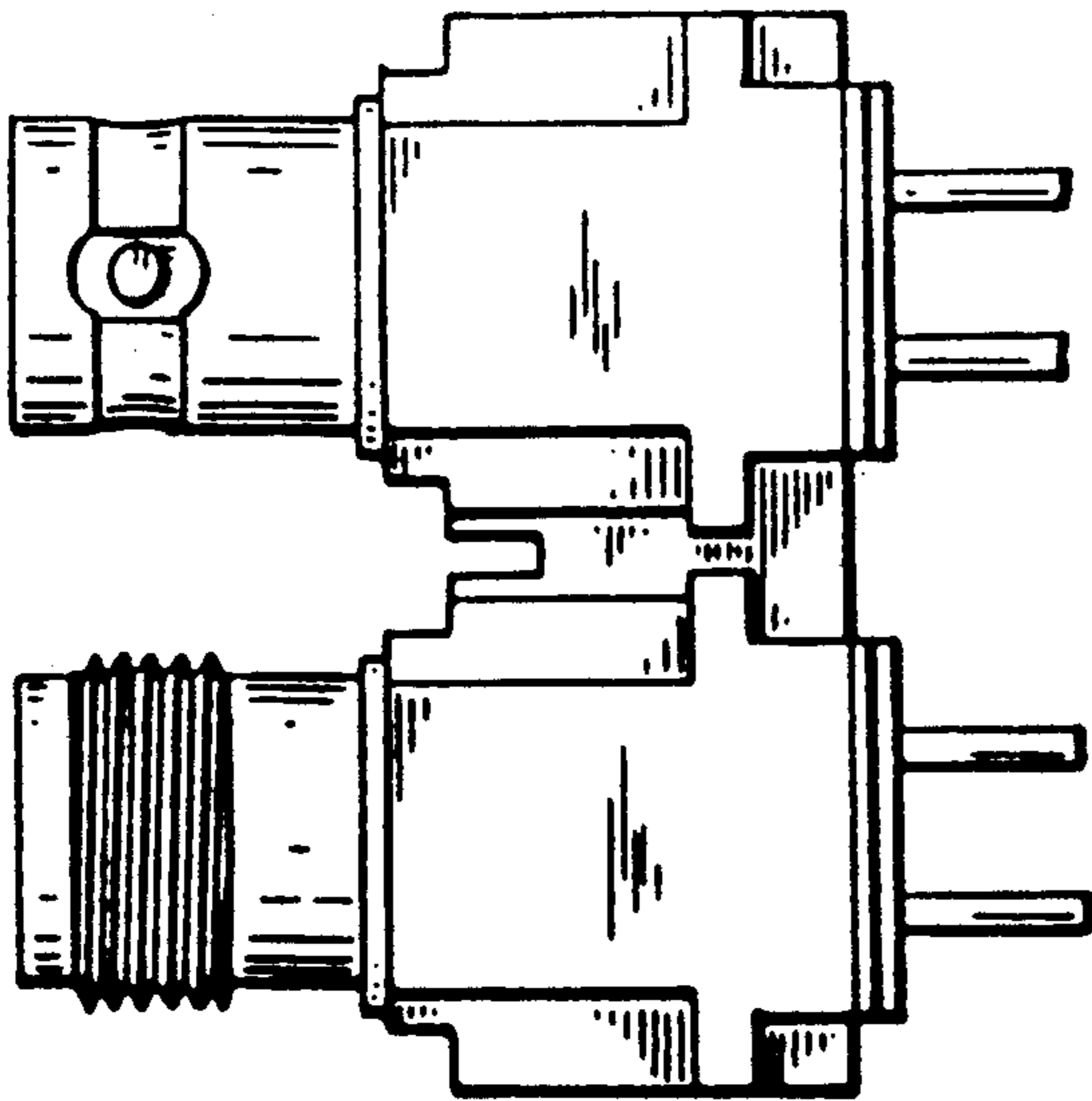


FIG. 4

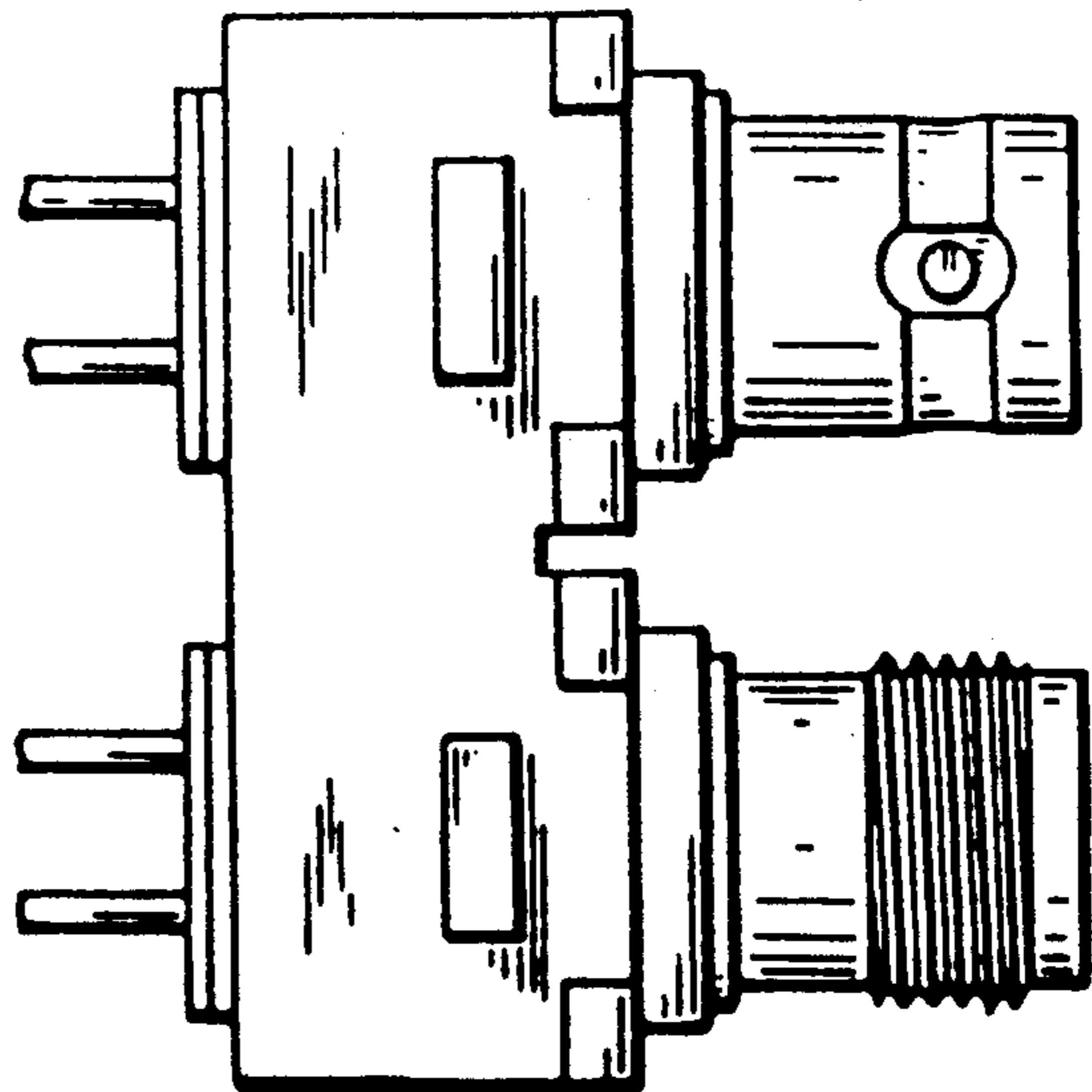


FIG. 5

FIG. 6

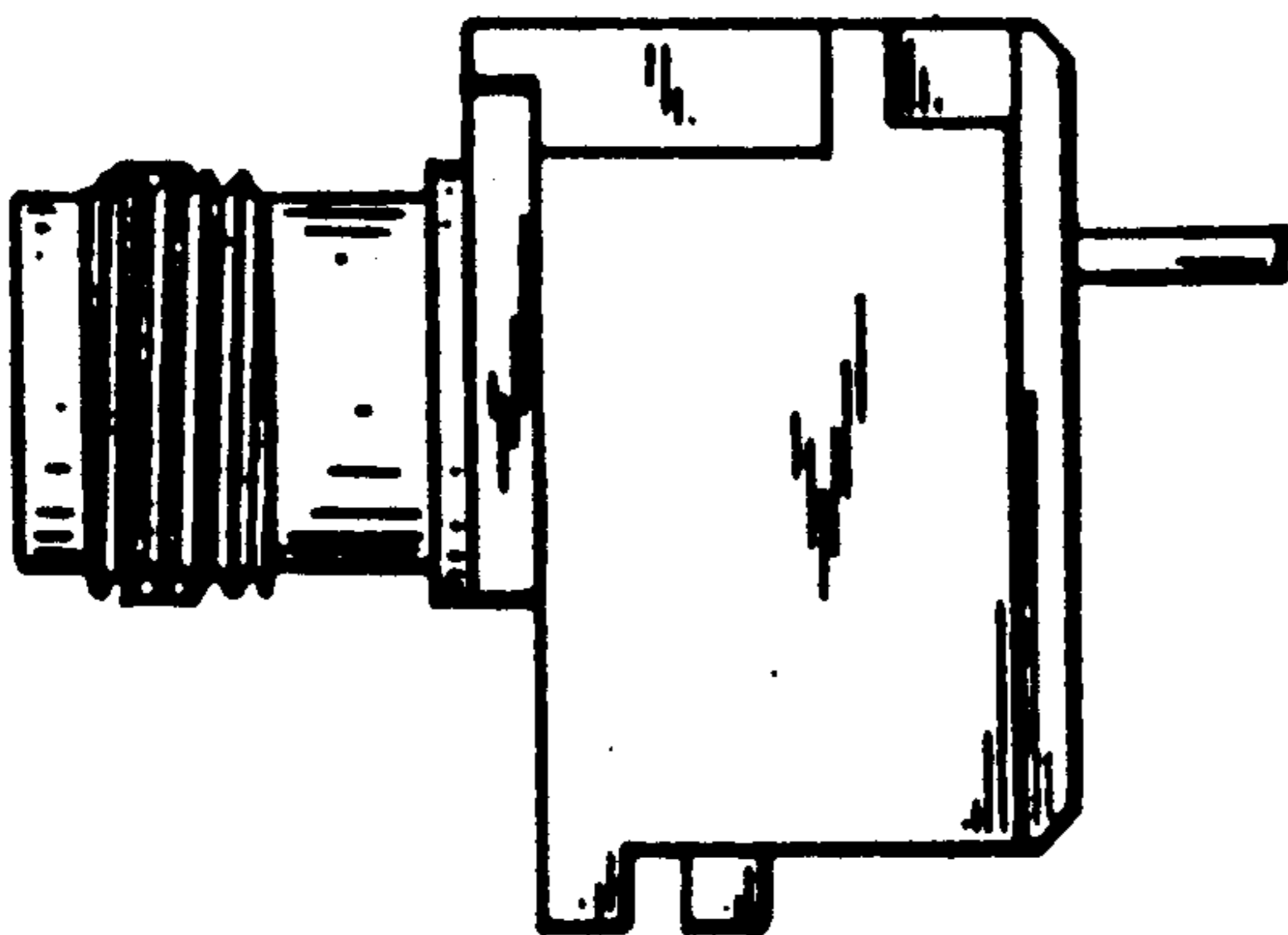


FIG. 7

