

United States Patent [19]

Shimoyama et al.

[11] Patent Number: **Des. 317,887**

[45] Date of Patent: **** Jul. 2, 1991**

[54] AUTOMOBILE

[75] Inventors: **Akira Shimoyama; Kazuyuki Tairabune**, both of Saitama; **Naoki Kusano**, Tokyo, all of Japan

[73] Assignee: **Honda Giken Kogyo Kabushiki Kaisha**, Tokyo, Japan

[**] Term: **14 Years**

[21] Appl. No.: **367,490**

[22] Filed: **Jun. 16, 1989**

[30] Foreign Application Priority Data

Dec. 16, 1988 [JP] Japan 63-49081

[52] U.S. Cl. **D12/92**

[58] Field of Search D12/91, 92; 296/185

[56] References Cited

U.S. PATENT DOCUMENTS

D. 299,325 1/1989 Oshika et al. D12/92

D. 301,436 6/1989 Mizuno et al. D12/92
D. 301,848 6/1989 Kuroso et al. D12/92

OTHER PUBLICATIONS

Road & Track, 8/88, p. 104, Subaru Royale, top of page.
Road & Track, 10/88, p. 138, Cadillac LSS, bottom of page.

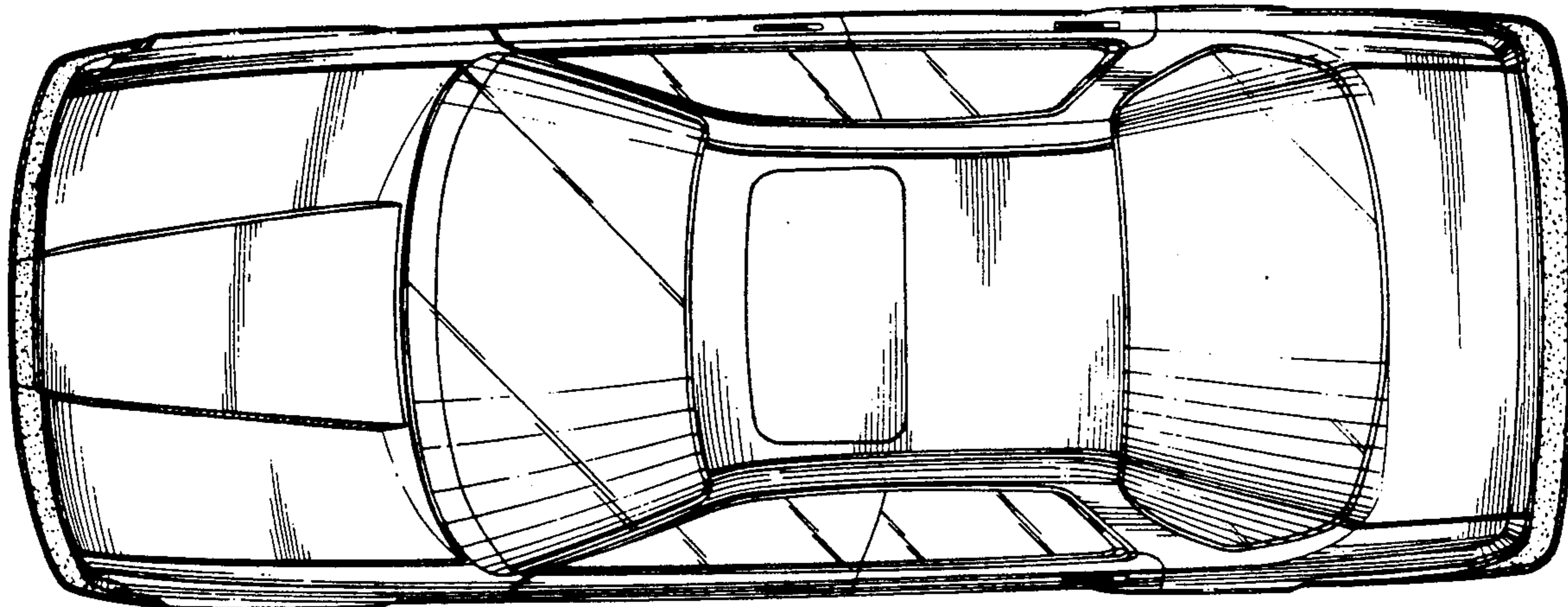
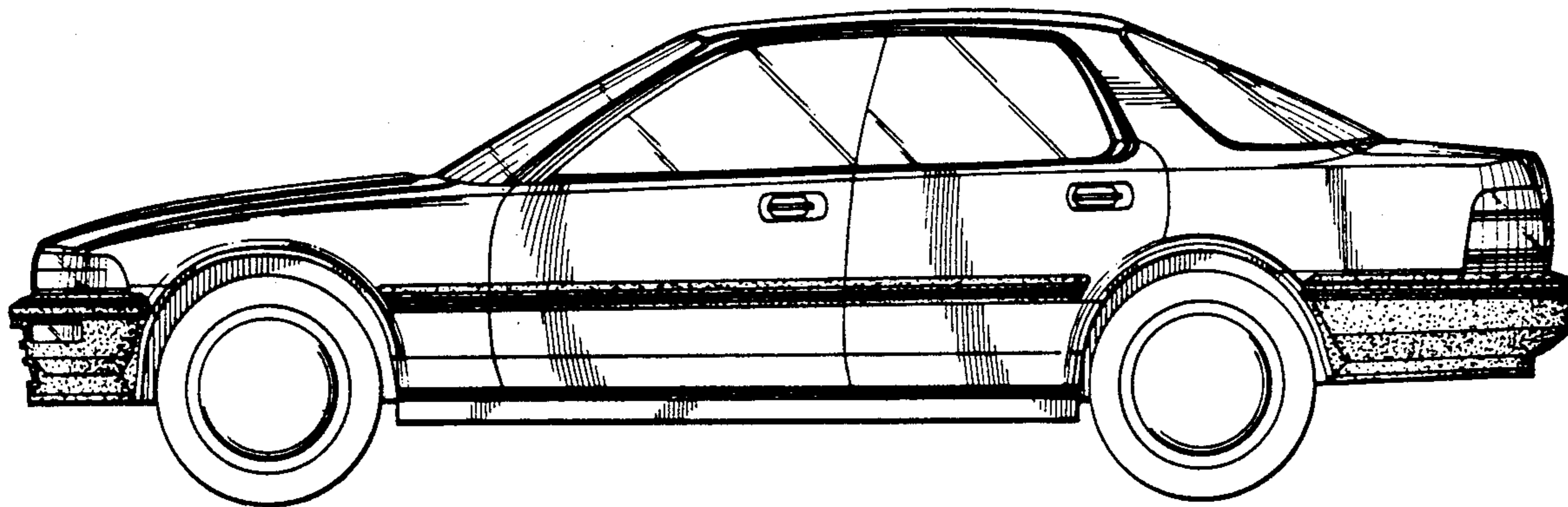
Primary Examiner—James M. Gandy
Attorney, Agent, or Firm—Lyon & Lyon

[57] CLAIM

The ornamental design for an automobile, as shown and described.

DESCRIPTION

FIG. 1 is a side elevation view of an automobile showing our new design; it being understood that the opposite side is substantially a mirror image thereof
FIG. 2 is a top plan view thereof;
FIG. 3 is a front elevation view thereof; and
FIG. 4 is a rear elevation view thereof.



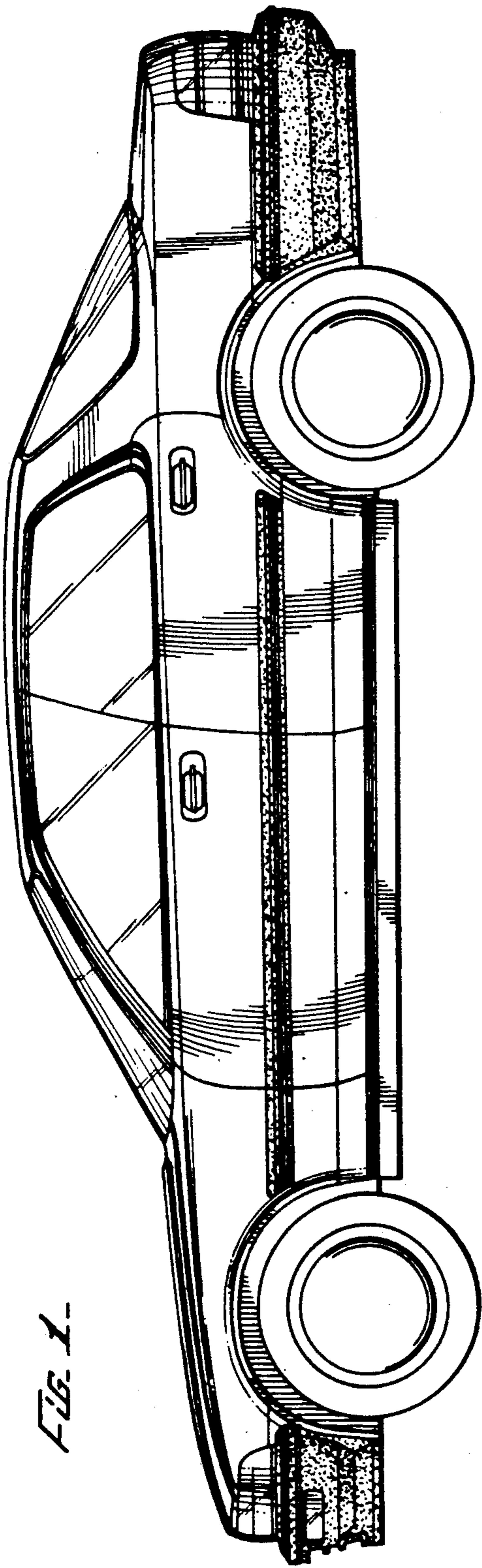


FIG. 1-

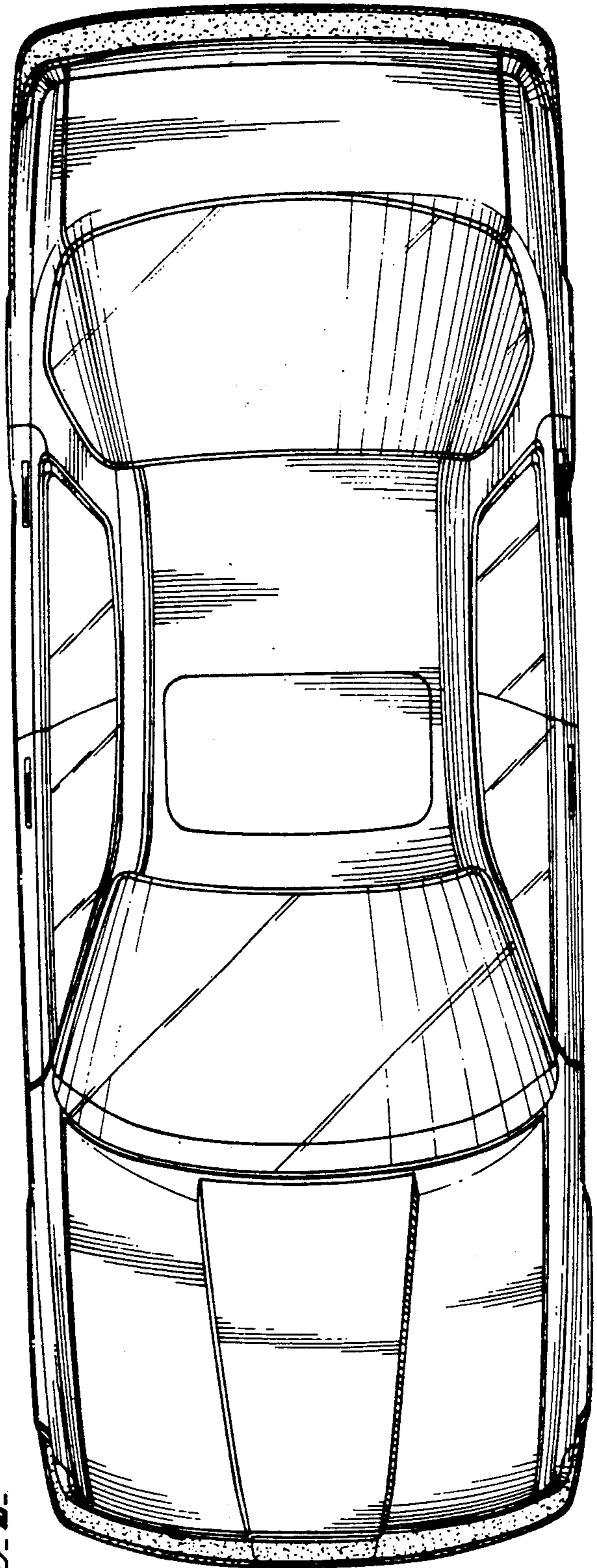


FIG. 2-

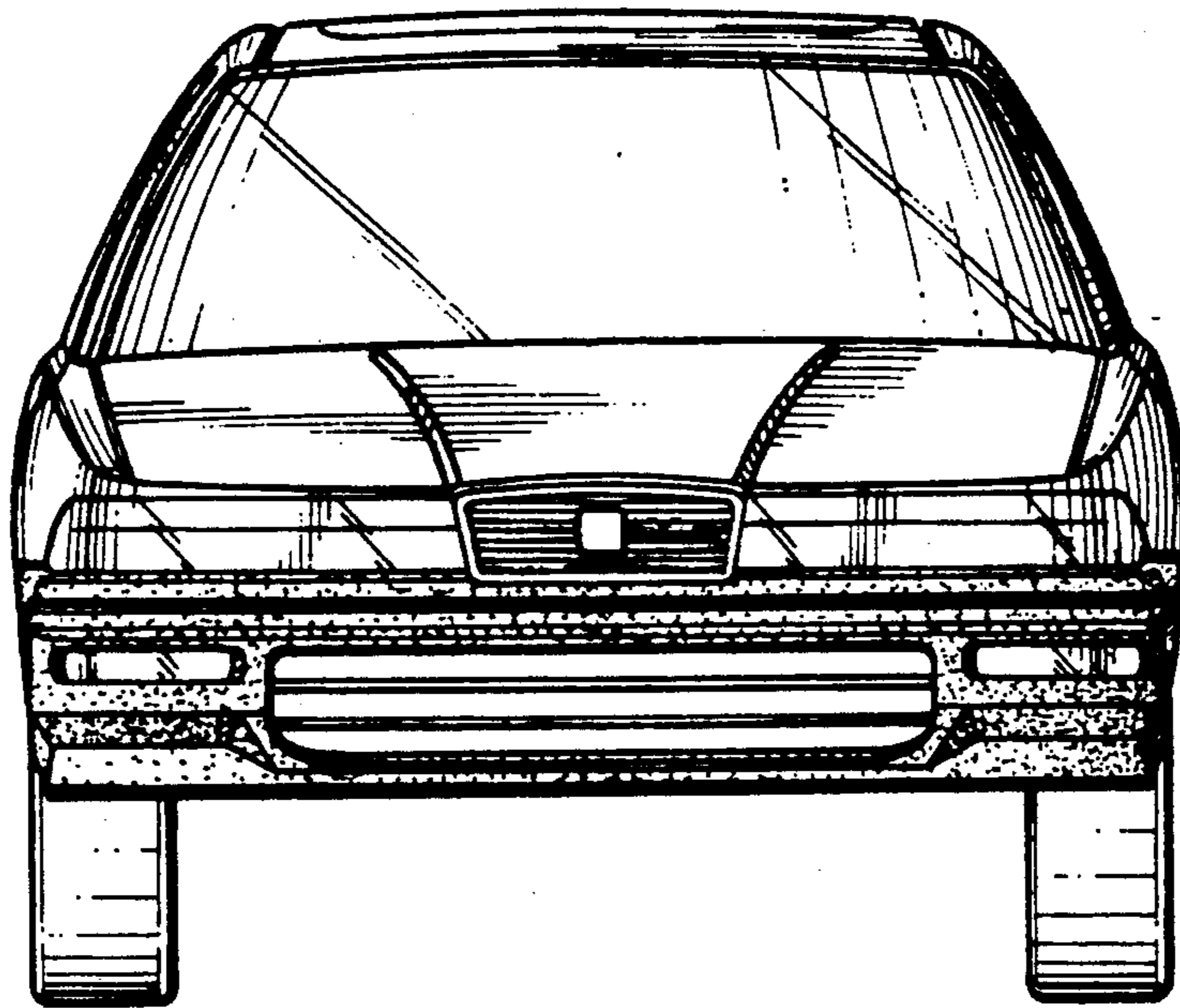


FIG. 3.

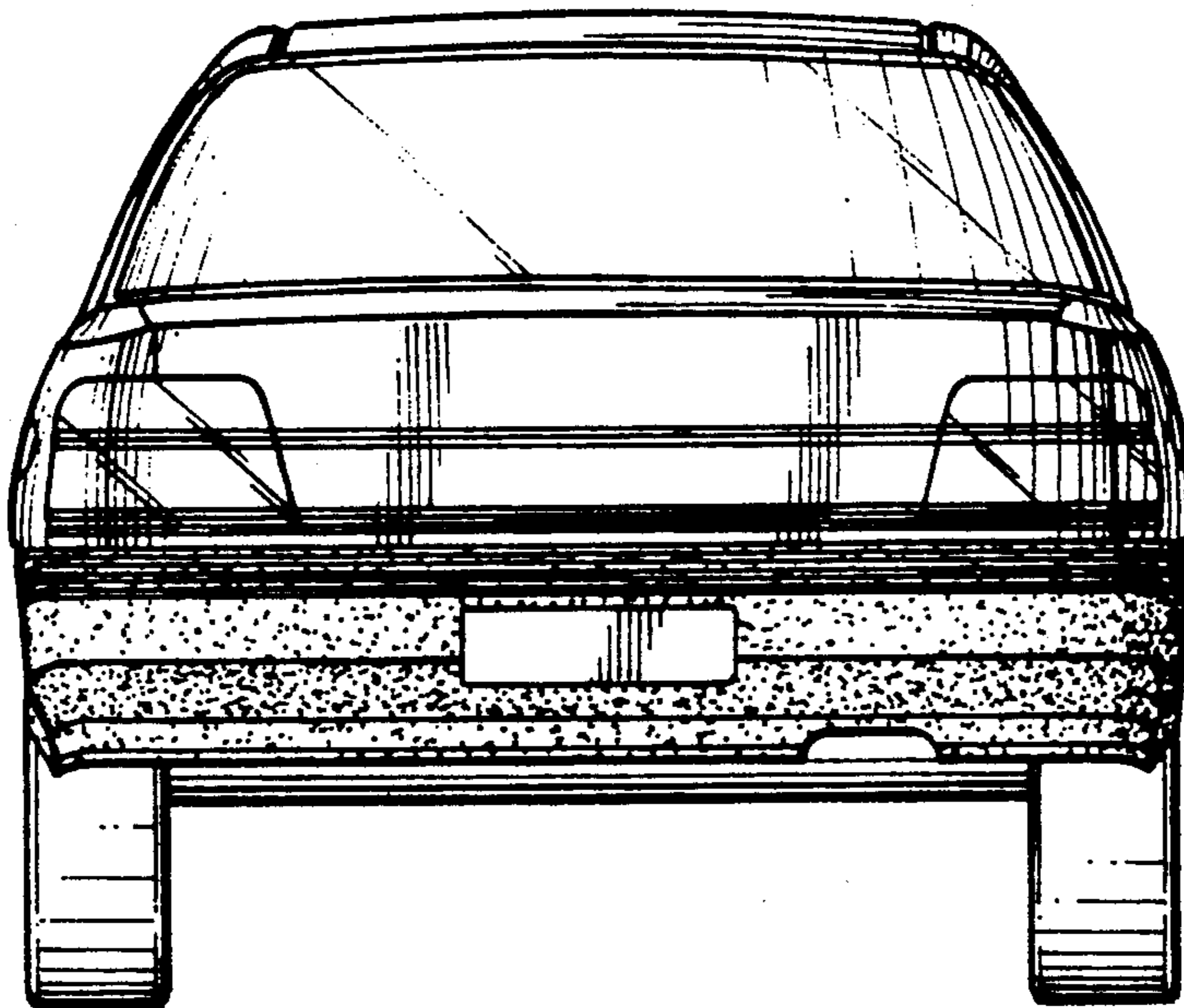


FIG. 4.