

[54] ELECTRONIC PROGRAMMABLE THERMOSTAT

[75] Inventor: Vinay Mehta, Germantown, Tenn.

[73] Assignee: Hunter-Melnor, Inc., Memphis, Tenn.

[**] Term: 14 Years

[21] Appl. No.: 318,373

[22] Filed: Mar. 3, 1989

[52] U.S. Cl. D10/50

[58] Field of Search D10/40, 41, 42, 50, D10/49, 51; D13/123, 146, 147, 152; 62/231; 236/46 R; 307/139, 141, 141.4, 141.8; 165/12, 22 R; 364/557; 368/1-4, 13, 89-101, 107

[56] References Cited

U.S. PATENT DOCUMENTS

D. 252,614	8/1979	Thornberry	D10/40
D. 256,336	8/1980	Odom et al.	D10/51
D. 271,086	10/1983	Odom	D10/50
D. 273,466	4/1984	Lawrence et al.	D10/51 X
D. 296,877	7/1988	Rakocy	D10/40
D. 298,416	11/1988	Rakocy	D10/40
D. 301,119	5/1989	Arnott	D10/50
D. 309,268	7/1990	Wada et al.	D10/50
D. 310,340	9/1990	Wada et al.	D10/50

4,235,368	11/1980	Neel	D10/50 X
4,316,256	2/1982	Hendricks et al.	165/12 X
4,386,649	6/1983	Hines et al.	D10/50 X
4,388,692	6/1983	Jones et al.	236/46 R X
4,466,749	8/1984	Cunningham et al.	364/557 X
4,621,336	11/1986	Brown	364/557 X
4,636,093	1/1987	Nagasaka et al.	364/557 X

Primary Examiner—Nelson C. Holtje
Assistant Examiner—Antonic D. Davis
Attorney, Agent, or Firm—Finnegan, Henderson, Farabow, Garrett & Dunner

[57] CLAIM

The ornamental design for an electronic programmable thermostat, as shown and described.

DESCRIPTION

FIG. 1 is a front, right side and bottom perspective view of an electronic programmable thermostat showing my new design, with the protective cover removed, shown on a larger scale;
FIG. 2 is a bottom plan view, the top plan view being a mirror image;
FIG. 3 is a right side elevational view;
FIG. 4 is a left side elevational view;
FIG. 5 is a front elevational view, with the protective cover omitted for ease of illustration; and
FIG. 6 is a rear elevational view thereof.

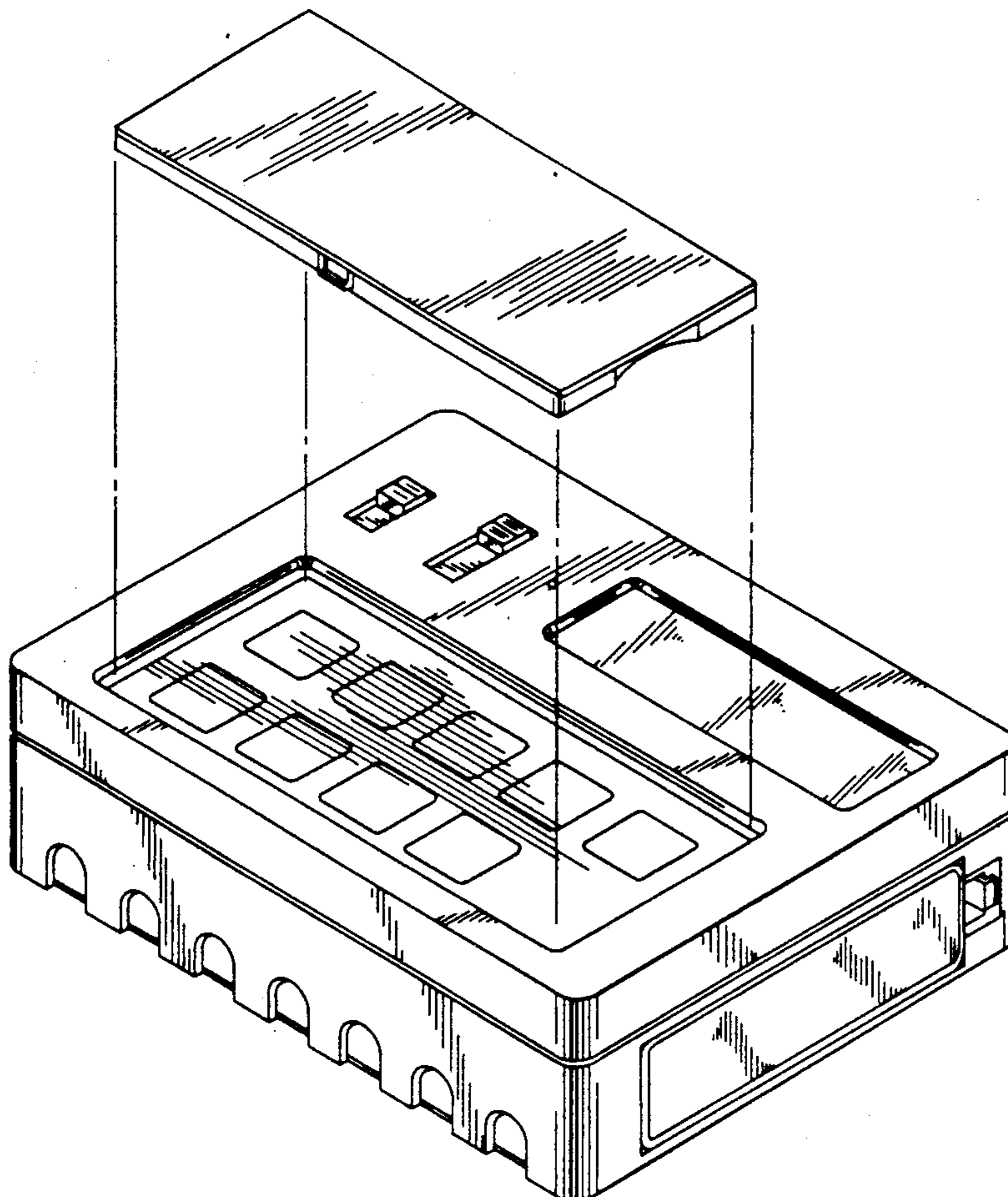


FIG. 1

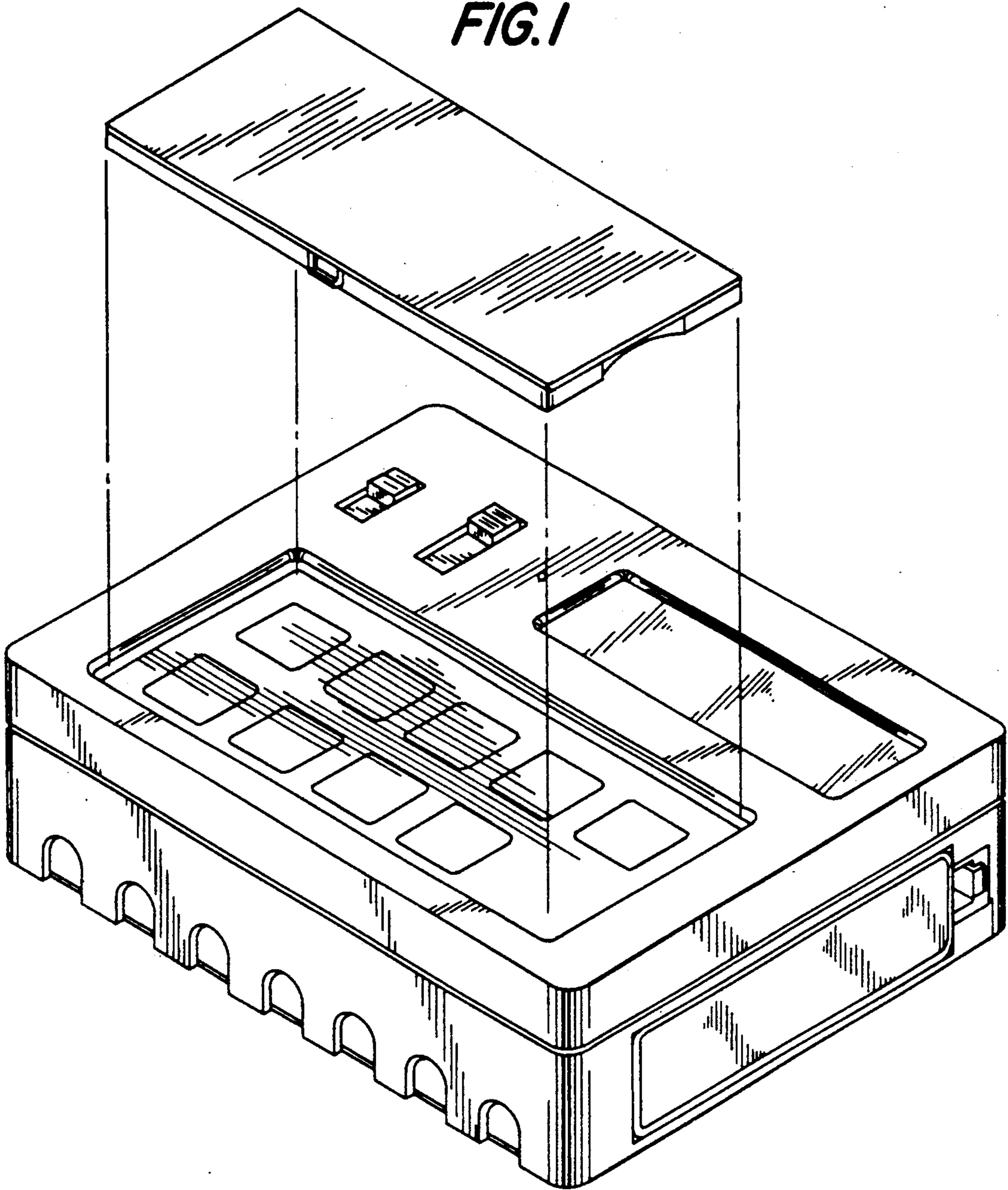


FIG. 2

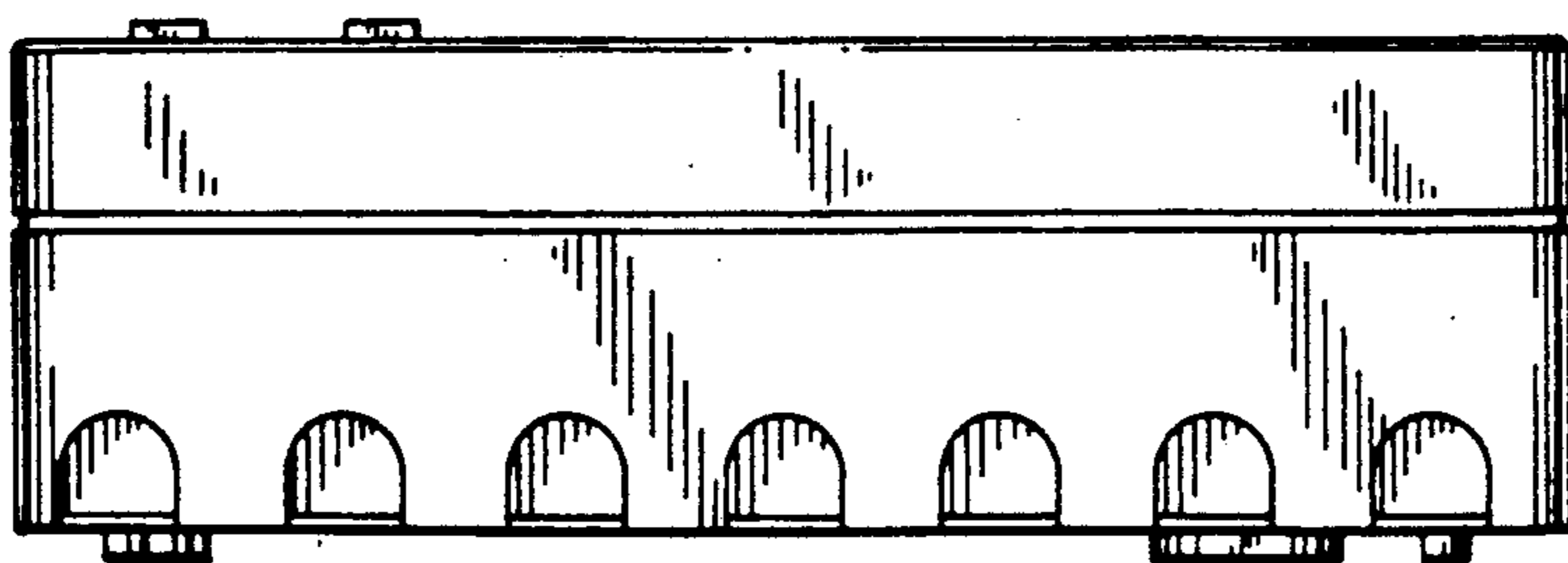


FIG. 3

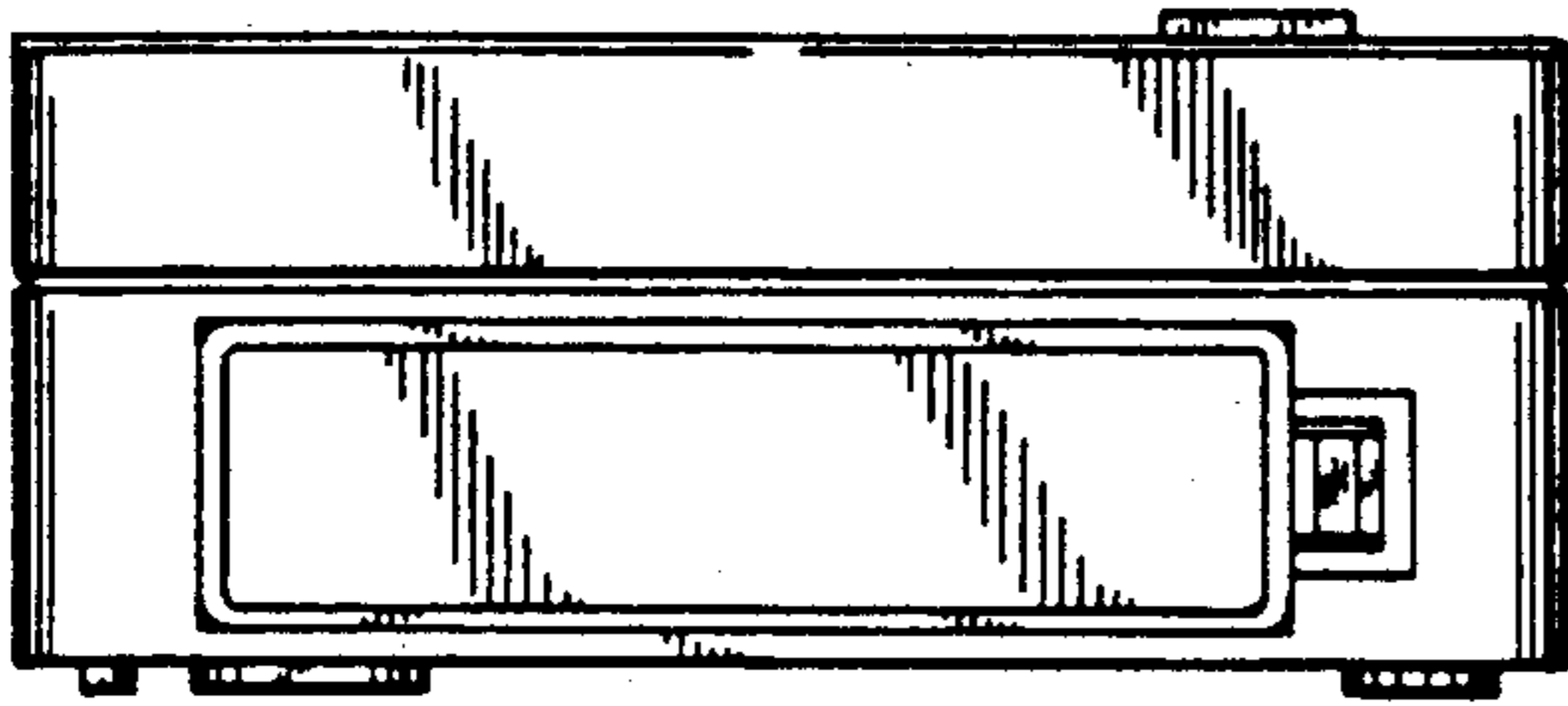


FIG. 4

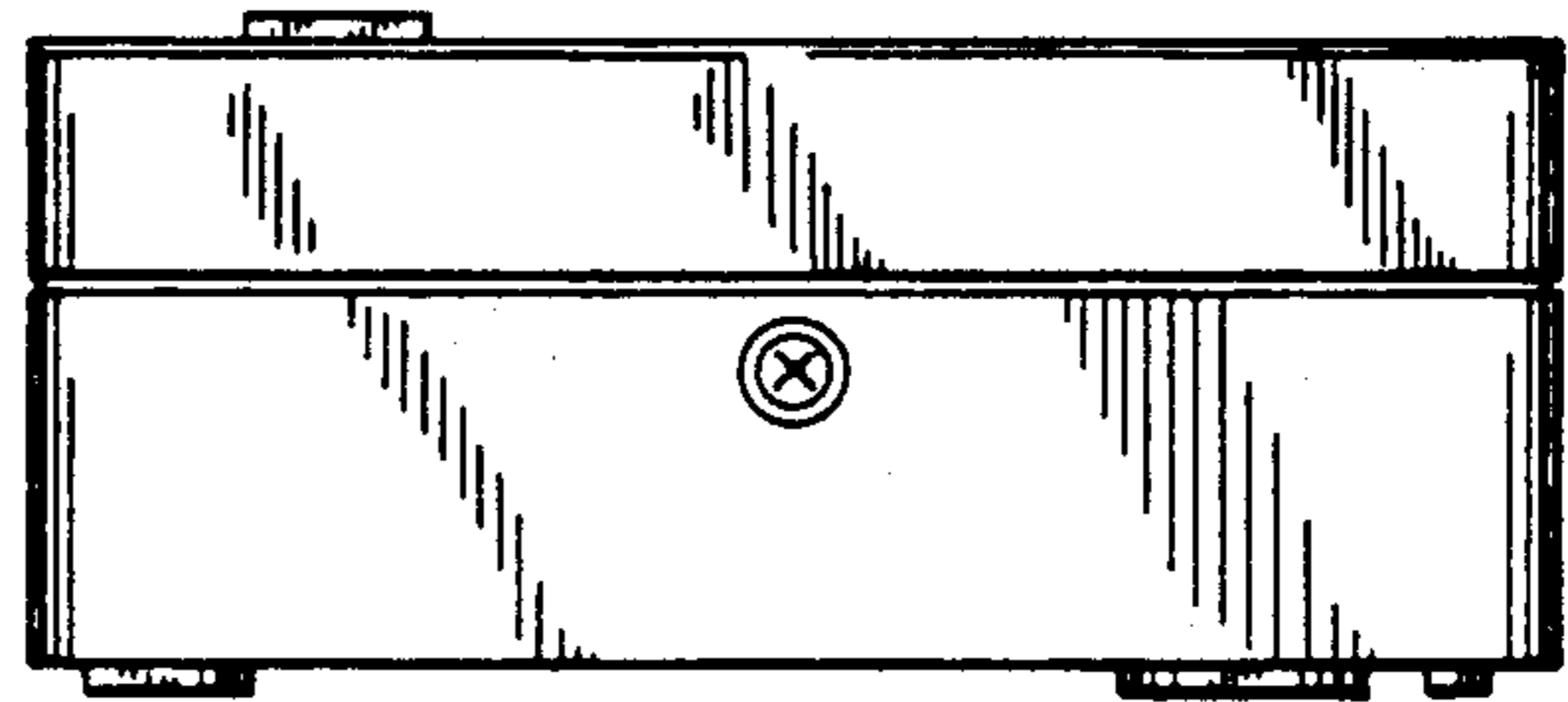


FIG. 5

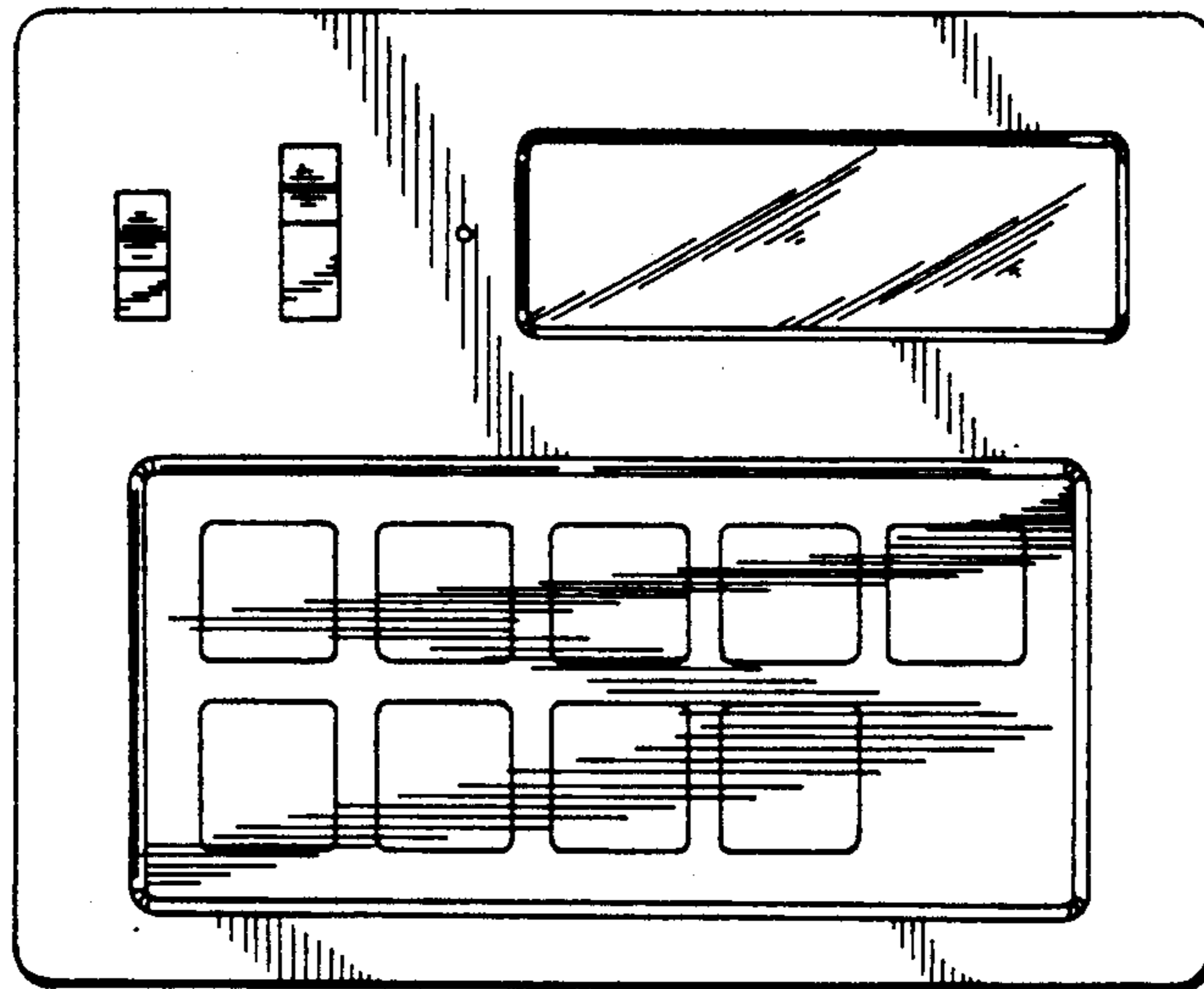


FIG. 6

