

[54] STORAGE CONTAINER FOR A PICK-UP OR THE LIKE

[75] Inventor: John E. Waters, Waco, Tex.

[73] Assignee: Durakon Industries, Inc., Lapeer, Mich.

[**] Term: 14 Years

[21] Appl. No.: 466,830

[22] Filed: Jan. 16, 1990

Related U.S. Application Data

[62] Division of Ser. No. 827,859, Feb. 10, 1986, Pat. No. Des. 305,502.

[52] U.S. Cl. D9/341

[58] Field of Search D9/341-348, D9/424, 432; D3/73, 40, 78; D12/157; D23/251; 220/72, 74; 206/524.1, 524.6

References Cited

U.S. PATENT DOCUMENTS

- D. 258,268 2/1981 Axel D9/426
- D. 259,413 6/1981 Rehkopf D12/157
- D. 273,056 3/1984 Lennon D12/157 X
- D. 274,139 6/1984 Suffern et al. D12/157
- D. 278,995 5/1985 Waters D12/157
- D. 294,816 3/1988 Hoyt D12/157
- D. 298,308 11/1988 Van Kirk D12/157

3,403,713 10/1968 Good et al. 220/72 X

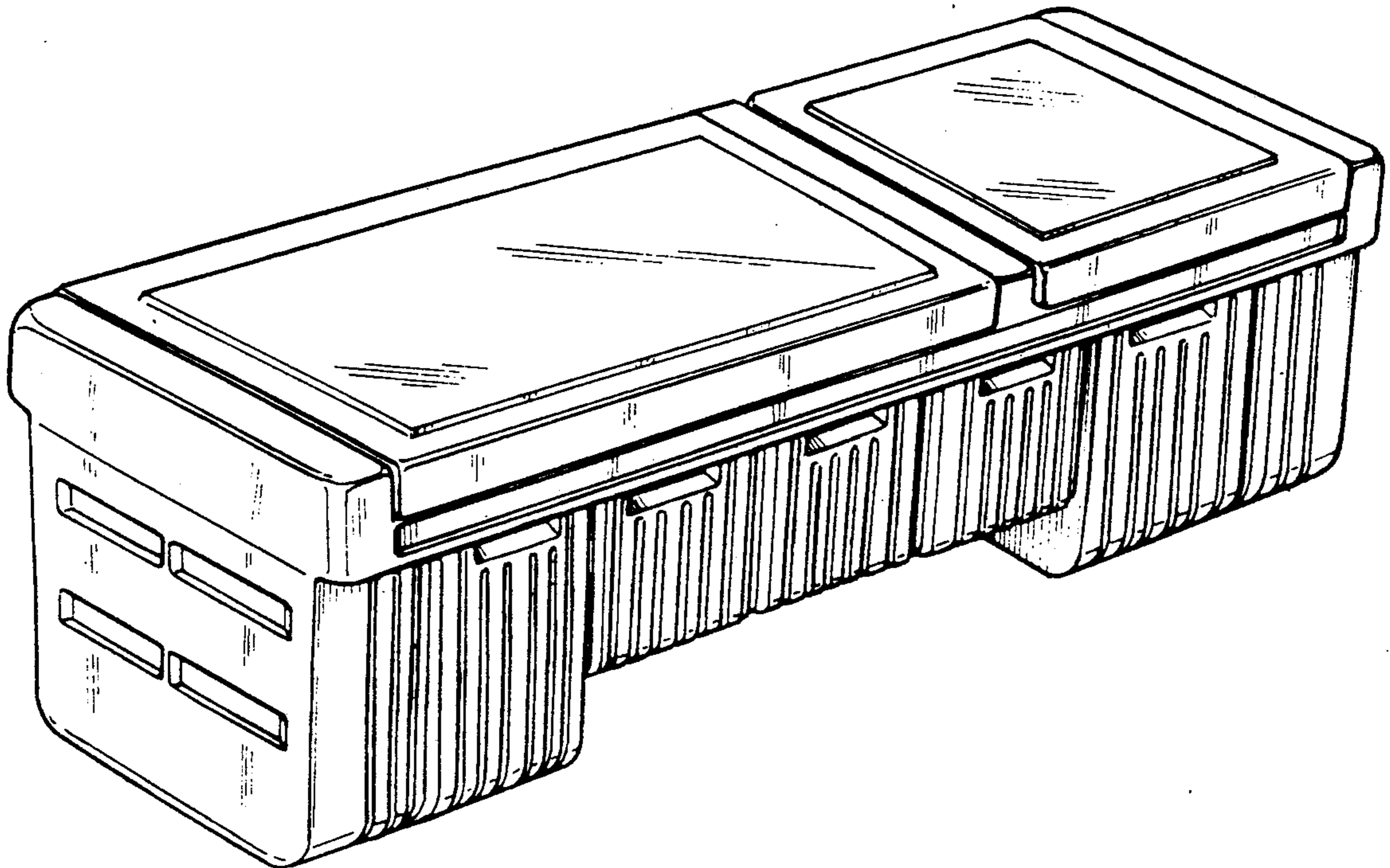
Primary Examiner—Bernard Ansher
Assistant Examiner—Prabhakar Deshmukh
Attorney, Agent, or Firm—Dykema Gossett

[57] CLAIM

The ornamental design for the storage container for a pick-up or the like, as shown and described.

DESCRIPTION

FIG. 1 is a front perspective view of a storage container for a pick-up or the like showing my new design; FIG. 2 is a rear perspective view thereof; FIG. 3 is a fragmentary front elevation thereof; FIG. 4 is a left side elevation thereof, the right side elevation being a mirror image thereof; FIG. 5 is a fragmentary sectional view taken along line 5—5 of FIG. 3; FIG. 6 is a fragmentary sectional view taken along line 6—6 of FIG. 3; FIG. 7 is a front perspective view of a modified form of FIG. 1; FIG. 8 is a rear perspective view of FIG. 7; FIG. 9 is a fragmentary front elevation of FIG. 7; FIG. 10 is a left side elevation of FIG. 7; the right side elevation being a mirror image; FIG. 11 is a fragmentary sectional view taken along line 11—11 of FIG. 9; and FIG. 12 is a fragmentary sectional view taken along line 12—12 of FIG. 9.



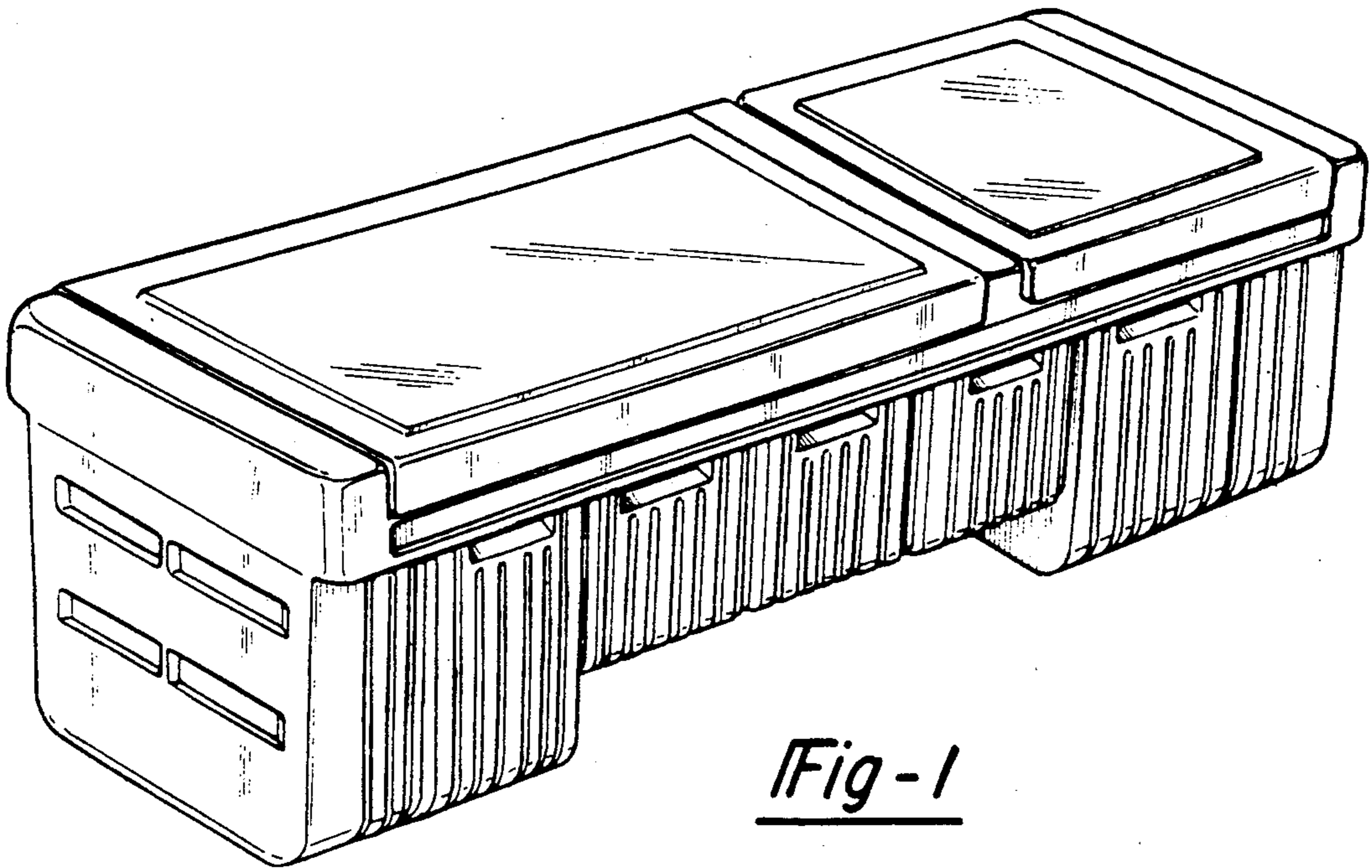


Fig-1

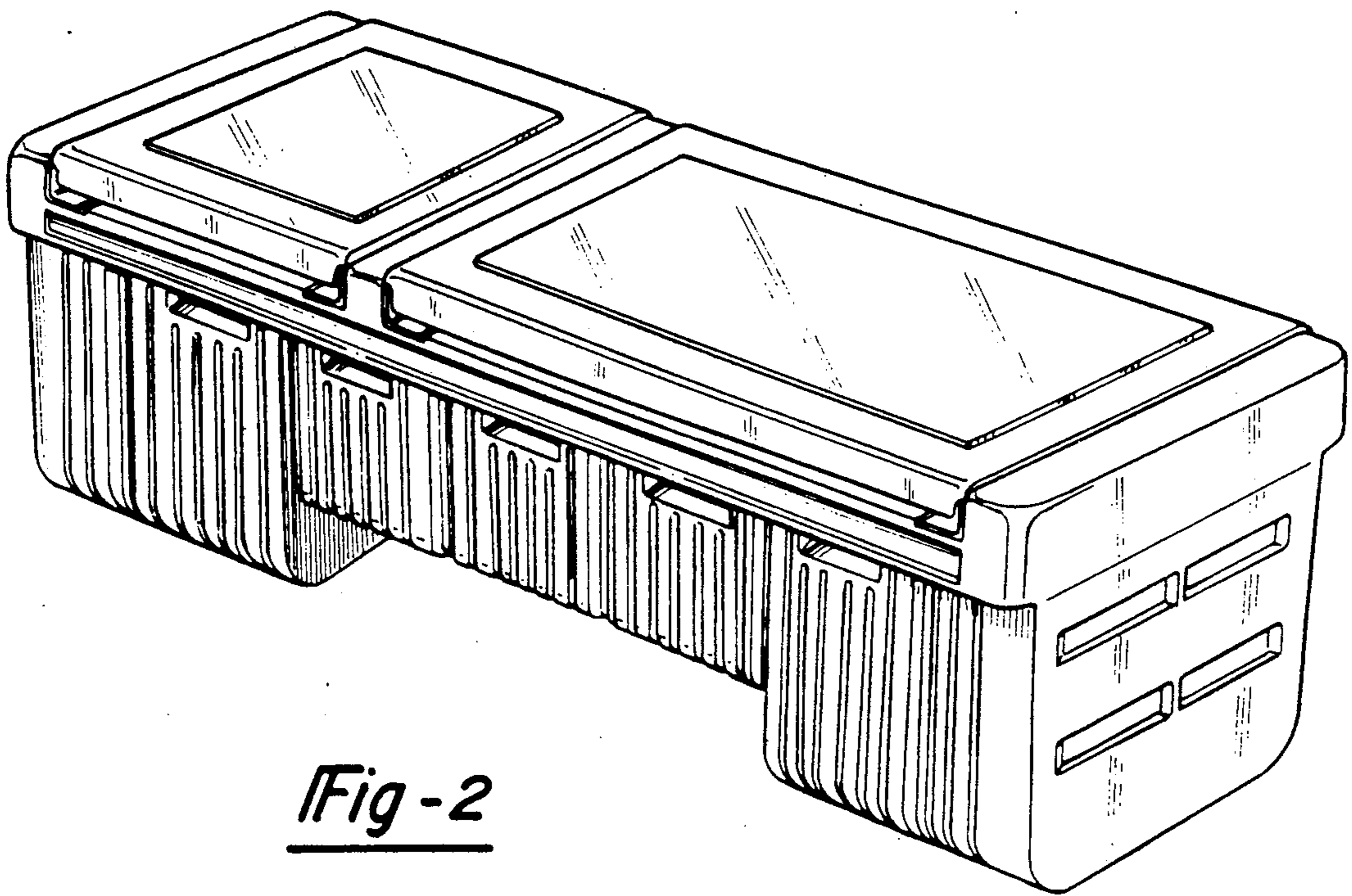


Fig-2

Fig-3

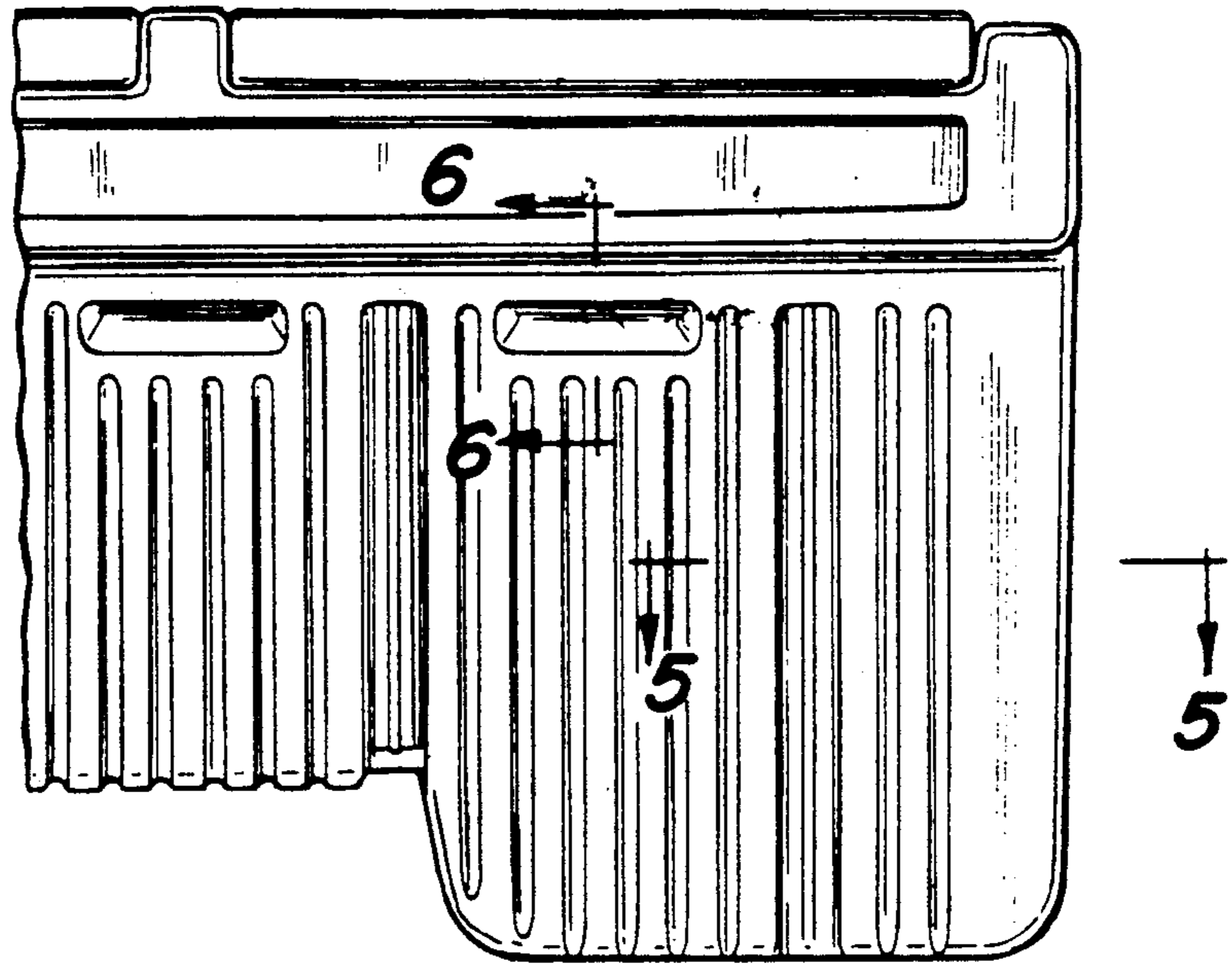


Fig-4

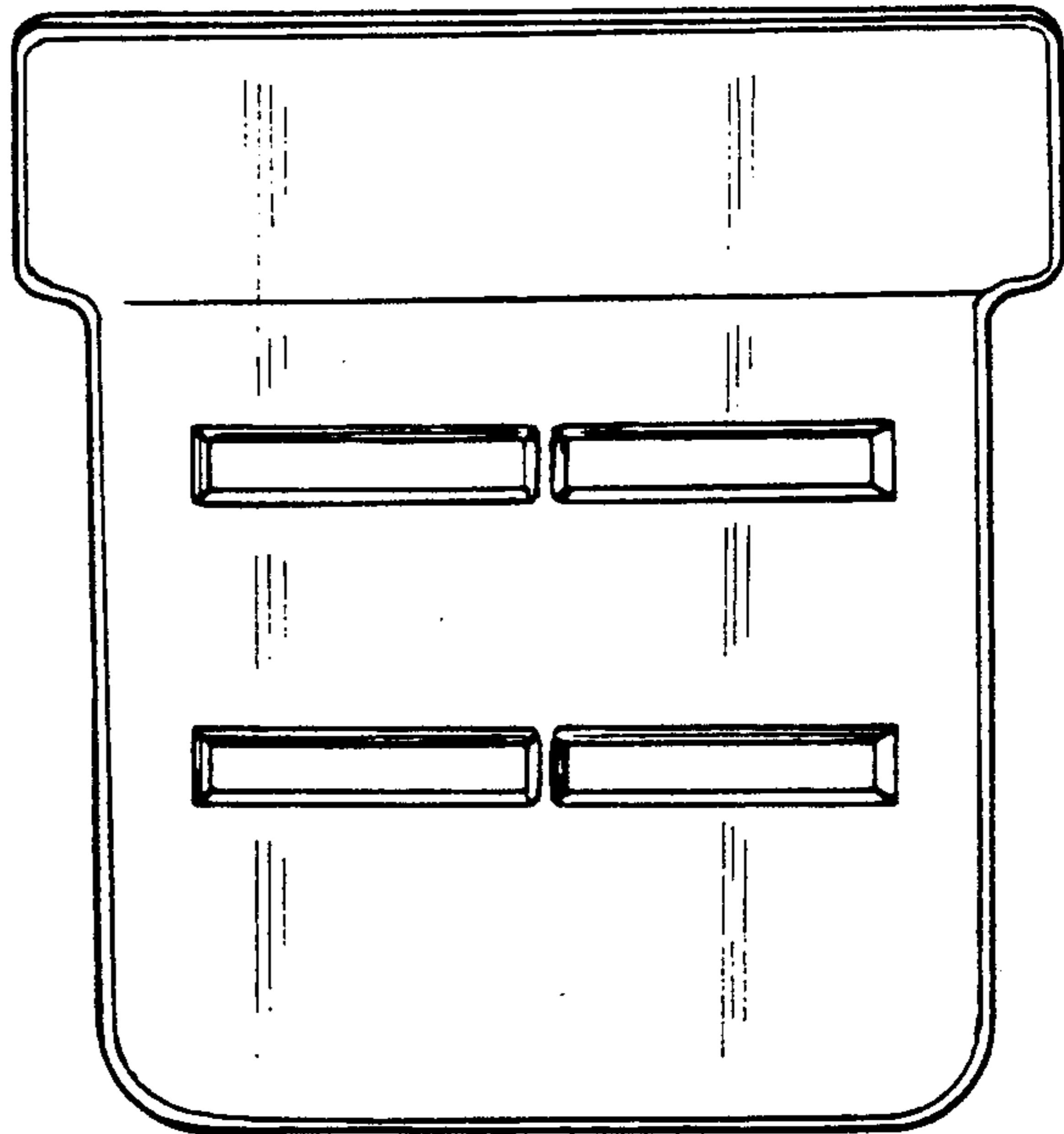
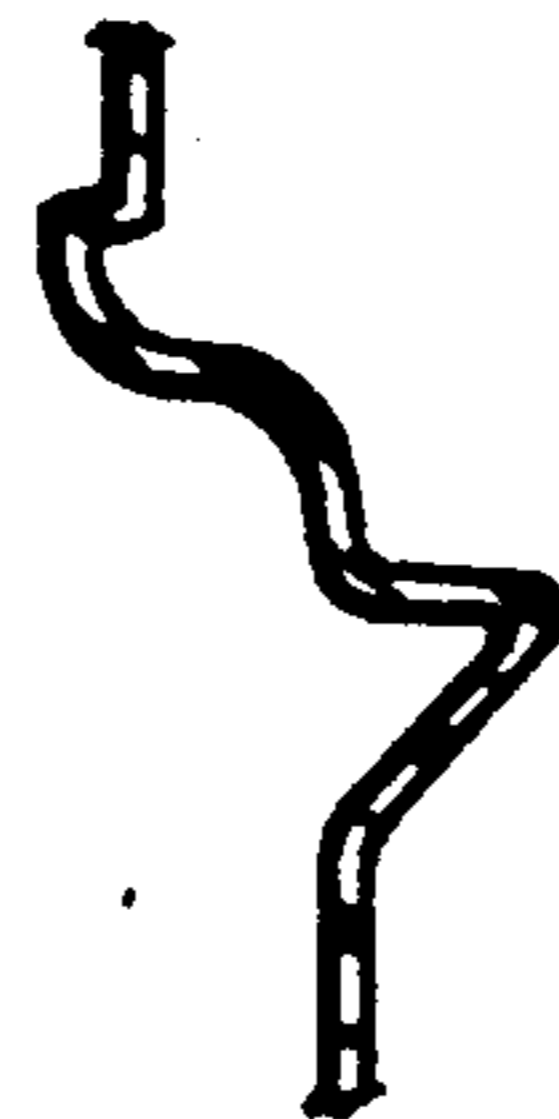


Fig-5



Fig-6



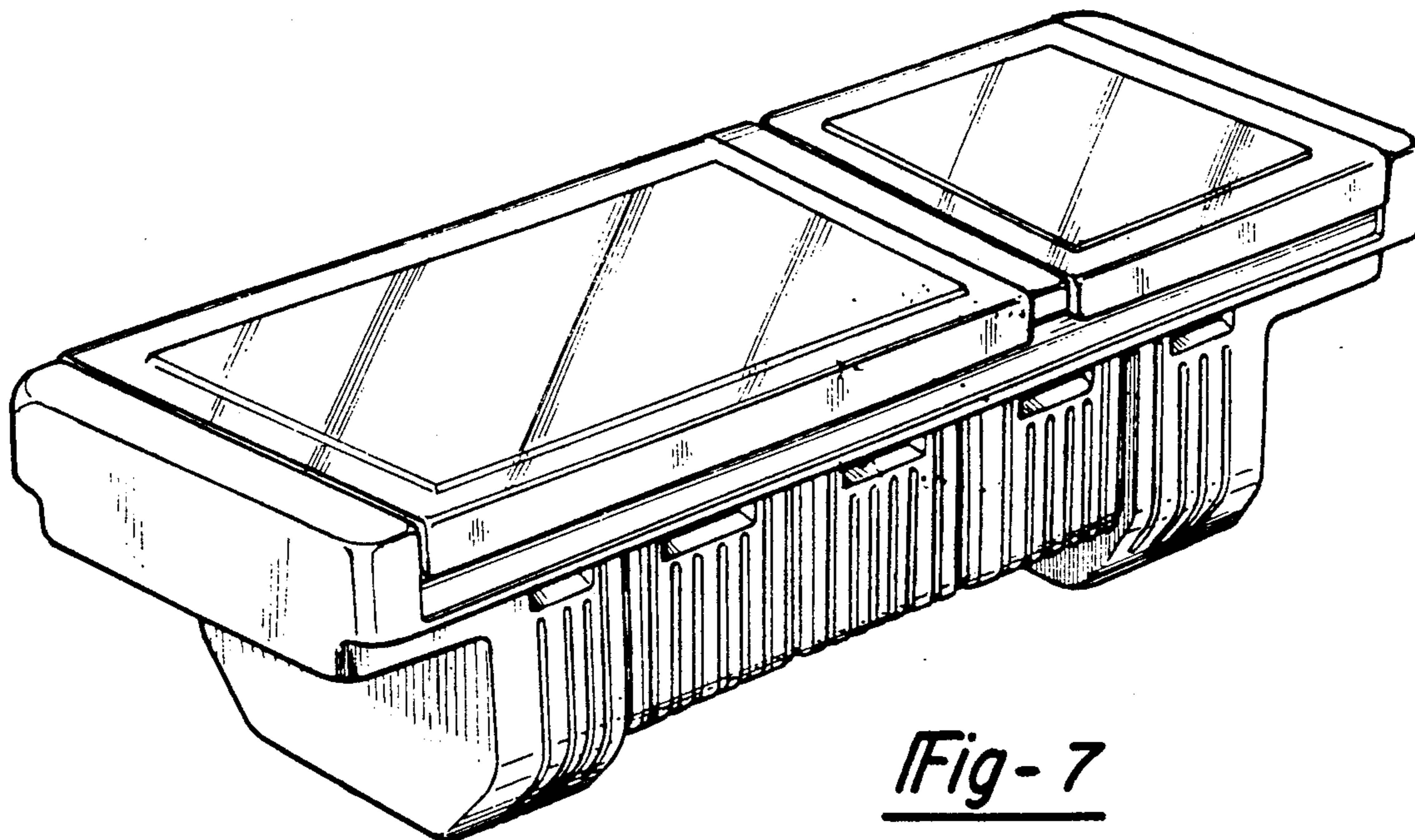


Fig-7

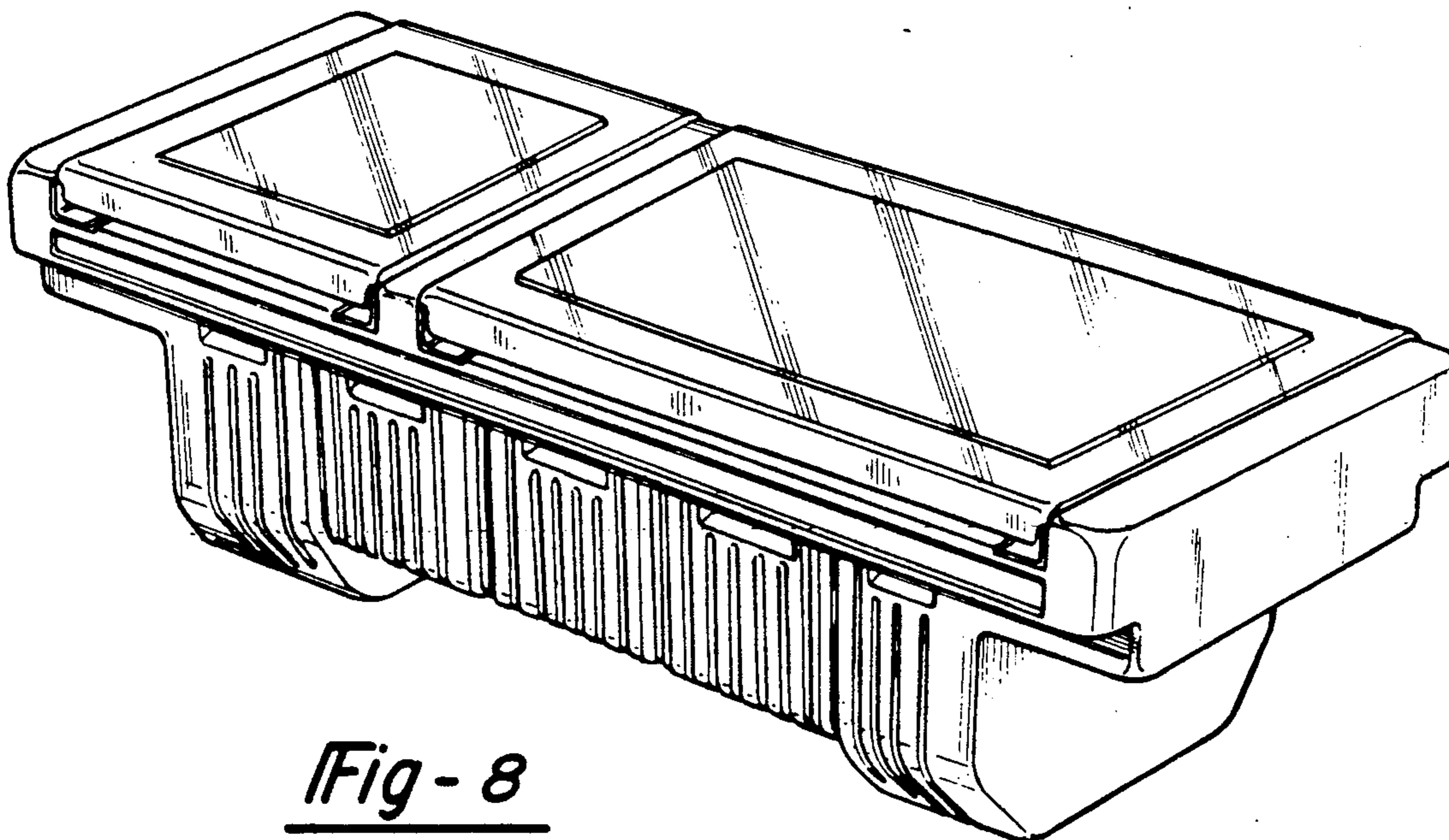


Fig-8

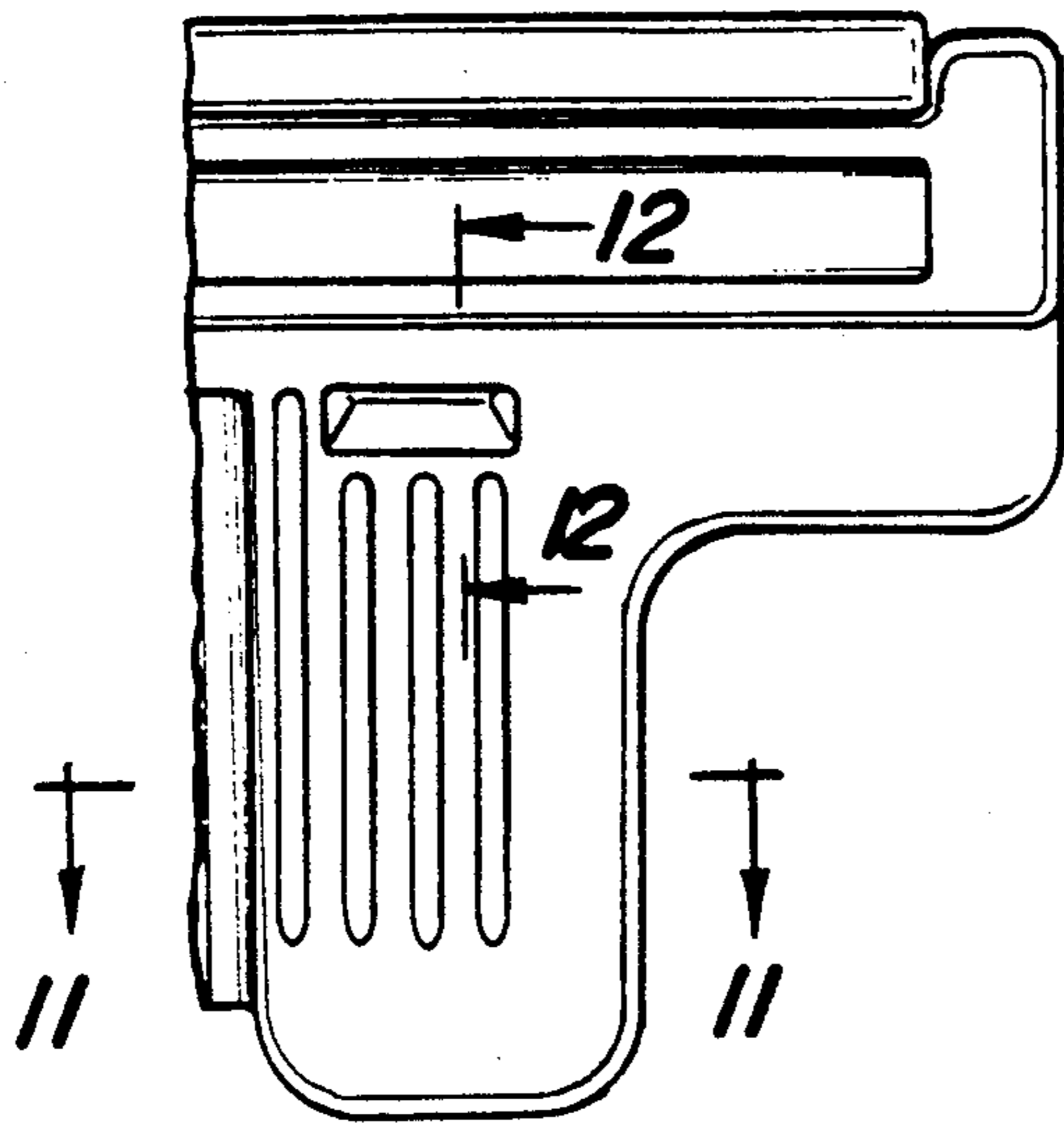


Fig-9

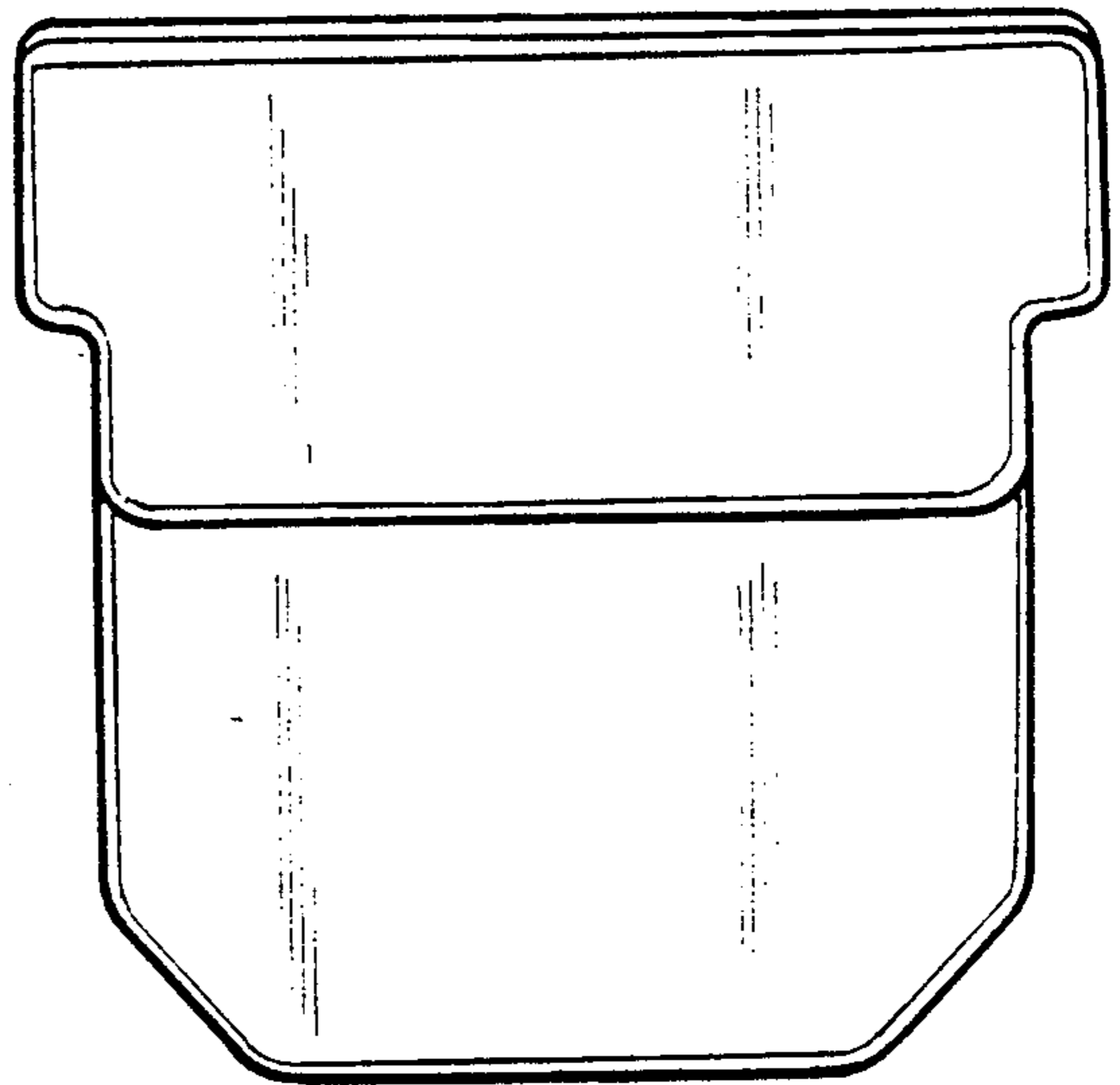


Fig-10

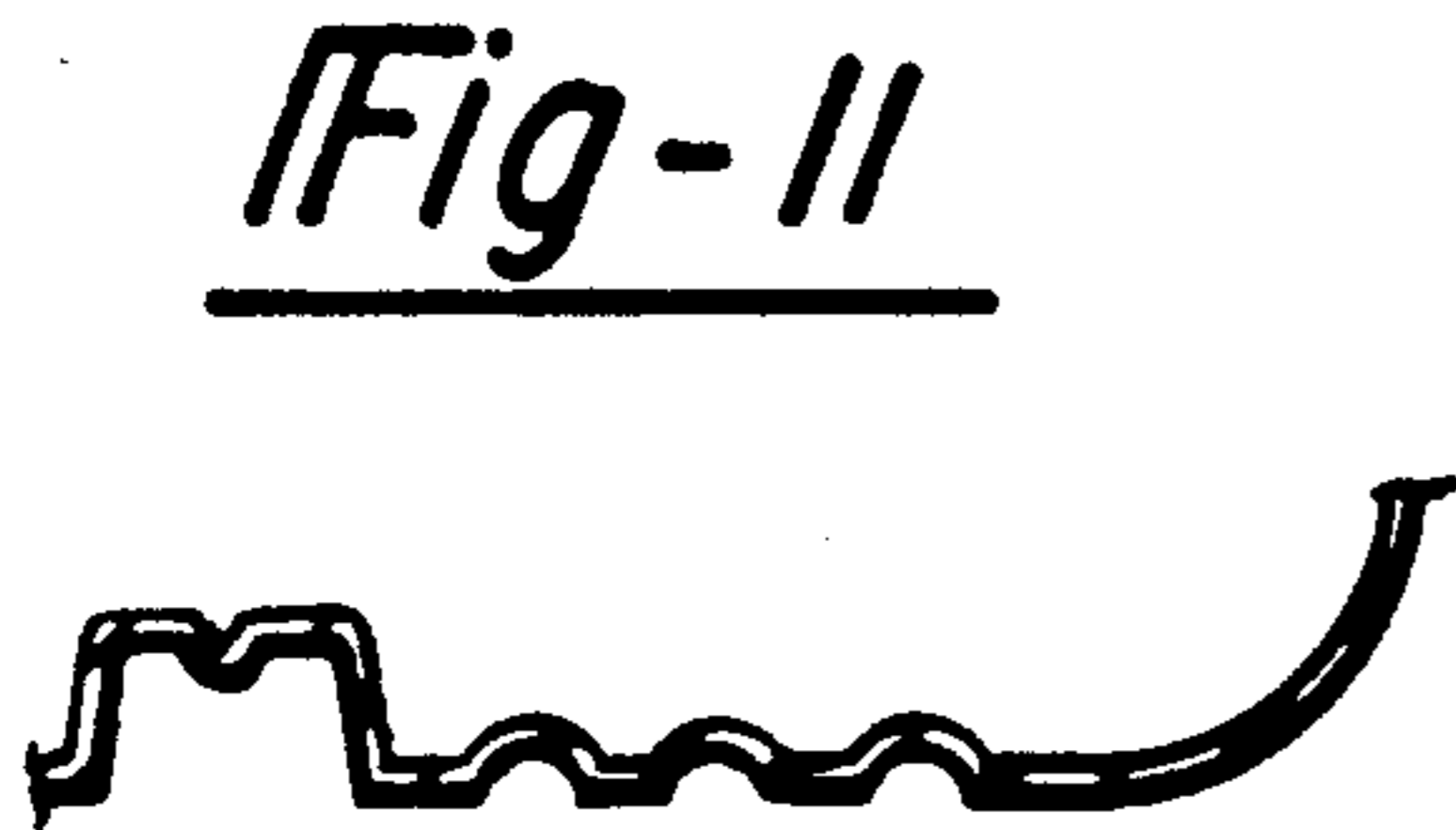


Fig-11



Fig-12