

[54] **SUPPORT FOR ELECTRICAL WIRES**

[75] **Inventor: Shigehiko Kobayashi, Toyota, Japan**

[73] **Assignee: Yazaki Corporation, Japan**

[**] **Term: 14 Years**

[21] **Appl. No.: 142,238**

[22] **Filed: Jan. 7, 1988**

[30] **Foreign Application Priority Data**

Jul. 8, 1987 [JP] Japan 62-27560

[52] **U.S. Cl. D8/364; D13/154**

[58] **Field of Search D8/364, 349, 354, 356,
D8/357, 382, 383, 396; D13/17; 248/73, 221.4**

[56] **References Cited**

U.S. PATENT DOCUMENTS

D. 195,429 6/1963 Kus D8/396

3,210,032 10/1965 Slyke 248/73
4,509,710 4/1985 Cooper et al. 248/73

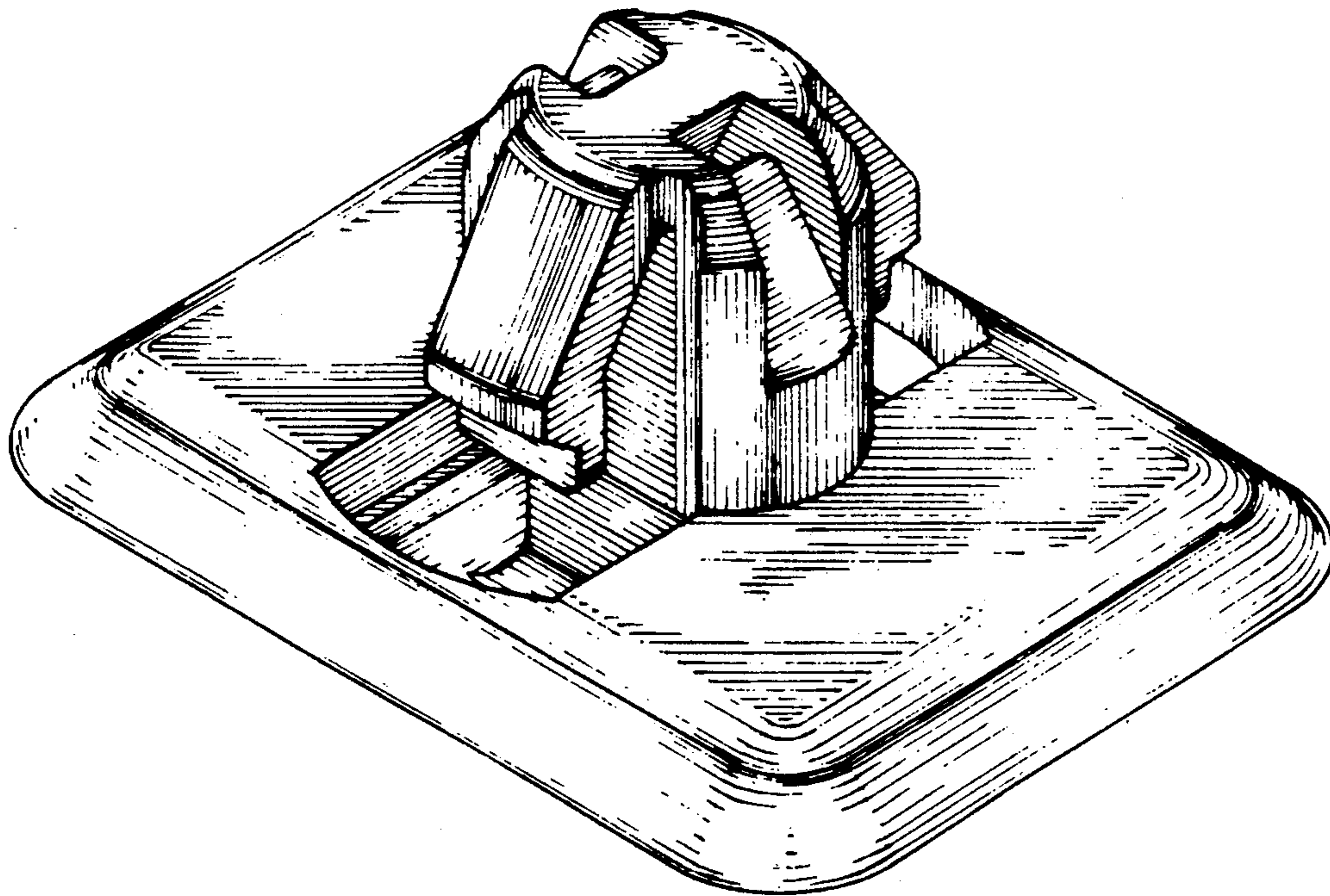
Primary Examiner—James M. Gandy
Assistant Examiner—Melody N. Brown
Attorney, Agent, or Firm—Jones, Askew & Lunsford

[57] **CLAIM**

The ornamental design for a support for electrical wires, substantially as shown and described.

DESCRIPTION

FIG. 1 is a perspective view of the support for electrical wires showing my new design;
FIG. 2 is a top plan view thereof;
FIG. 3 is a front elevation view thereof;
FIG. 4 is a bottom plan view thereof;
FIG. 5 is a right elevation view thereof, left being a mirror image thereof;
FIG. 6 is a section view taken along line 6—6 of FIG. 2;
FIG. 7 is a section view taken along line 7—7 of FIG. 3.



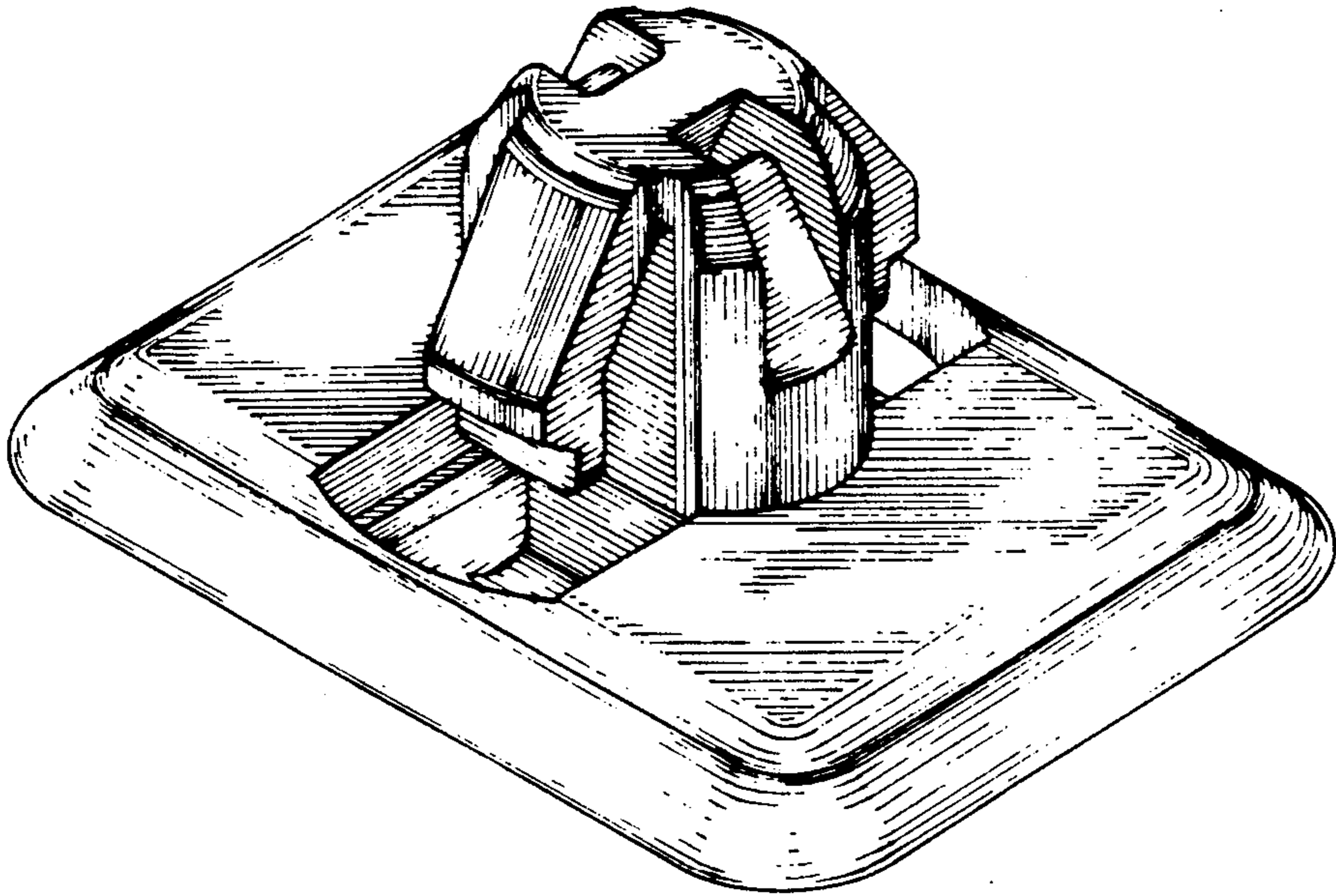


FIG 1

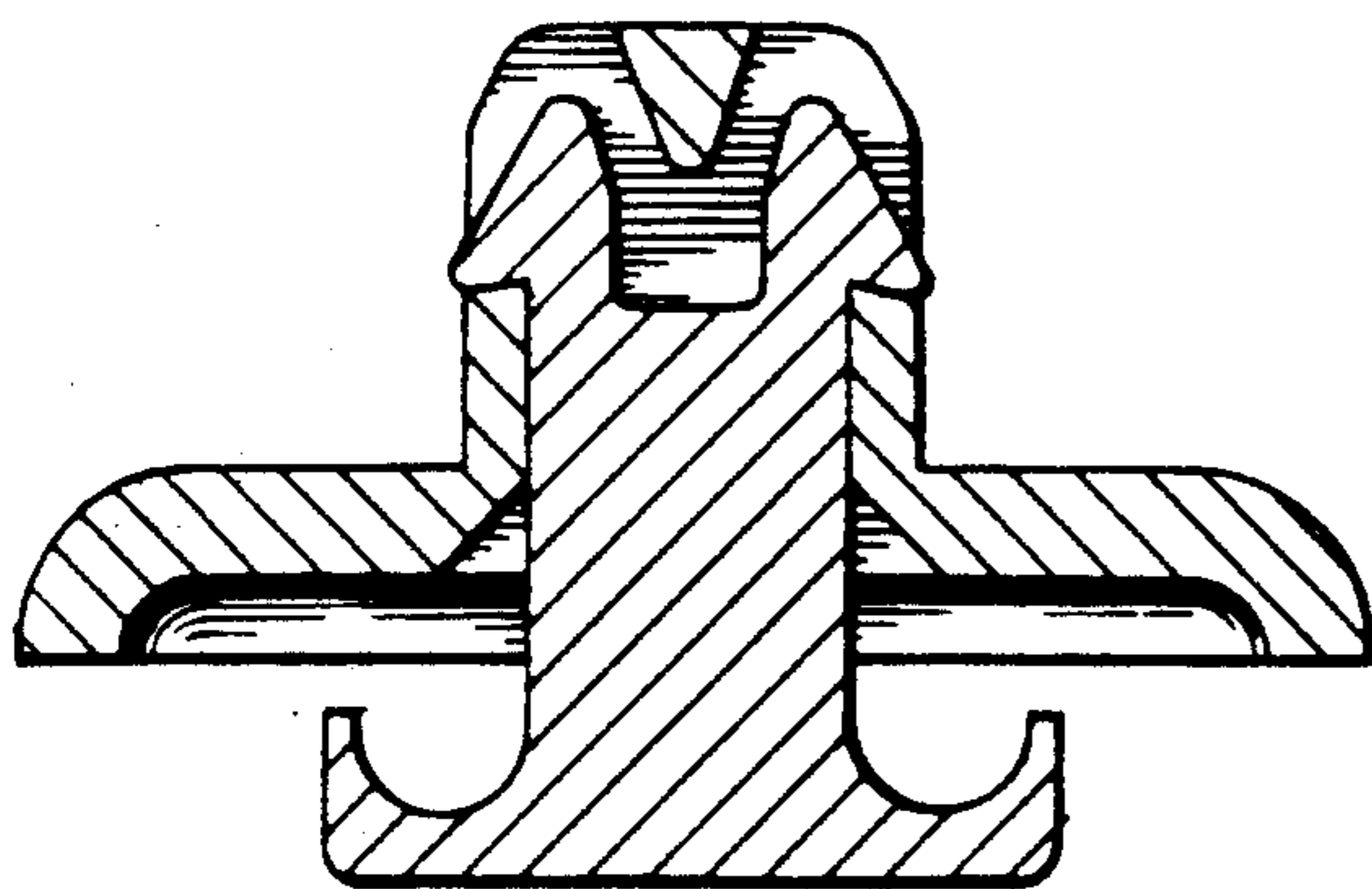


FIG 6

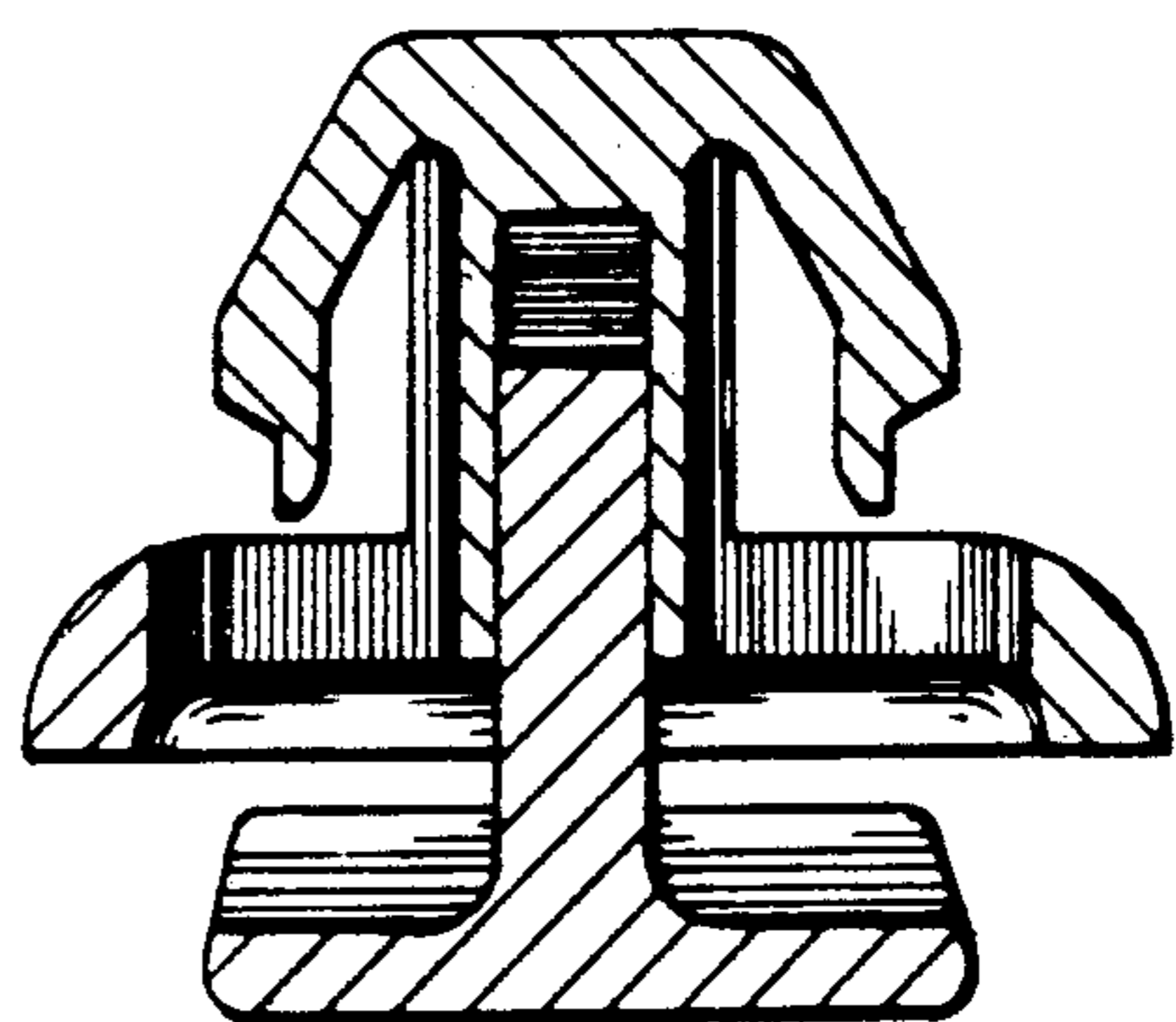


FIG 7

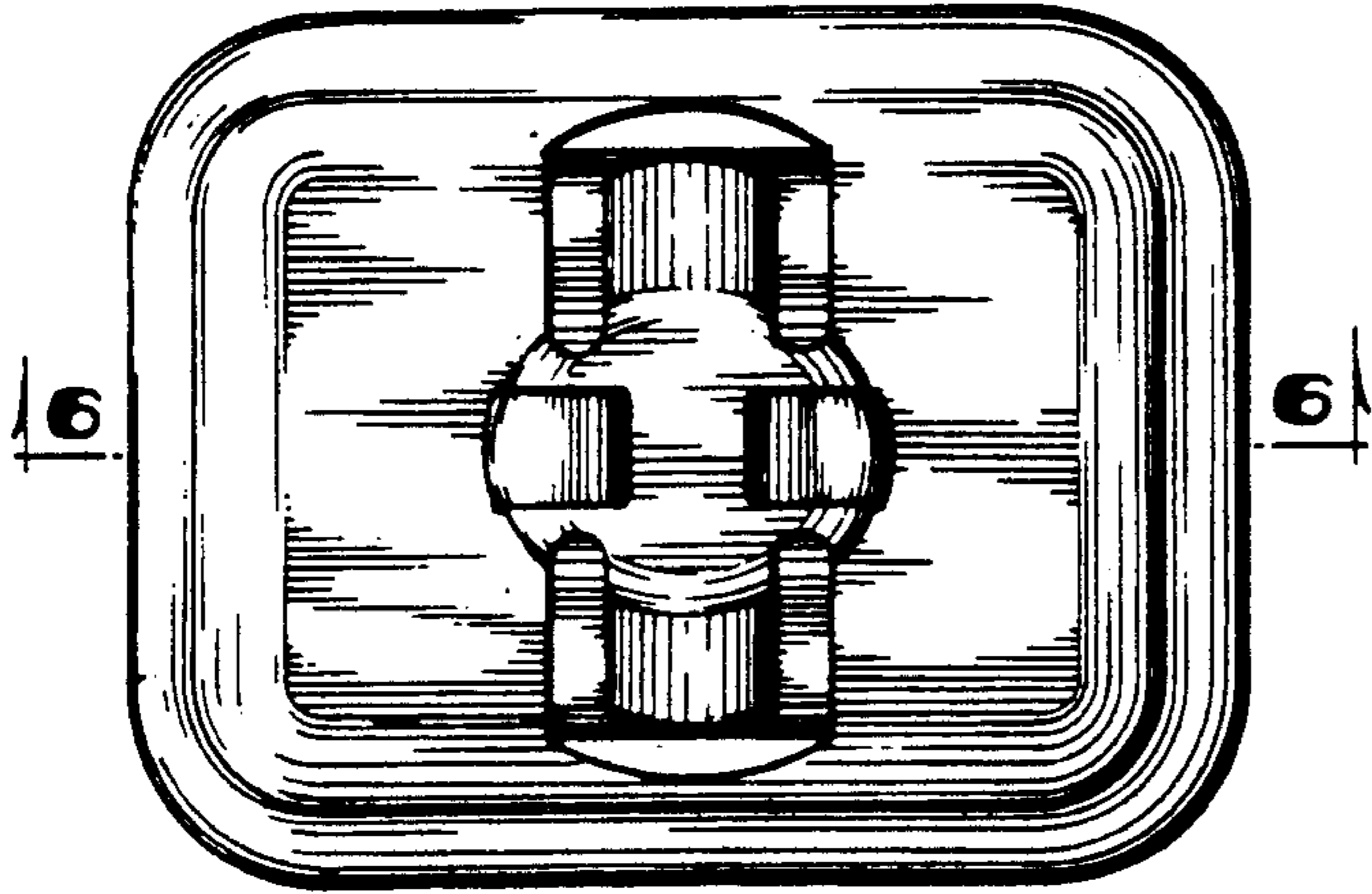


FIG 2

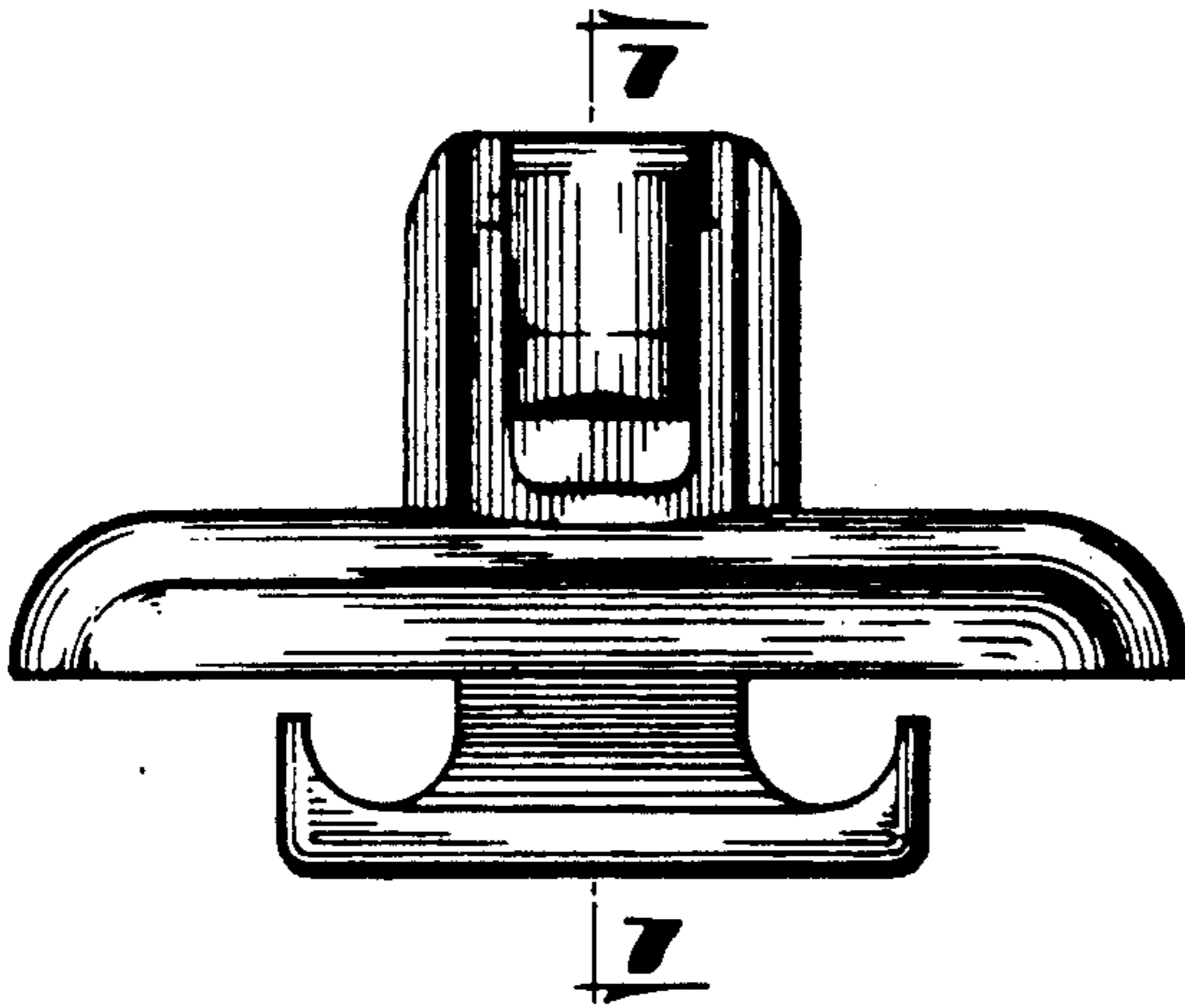


FIG 3

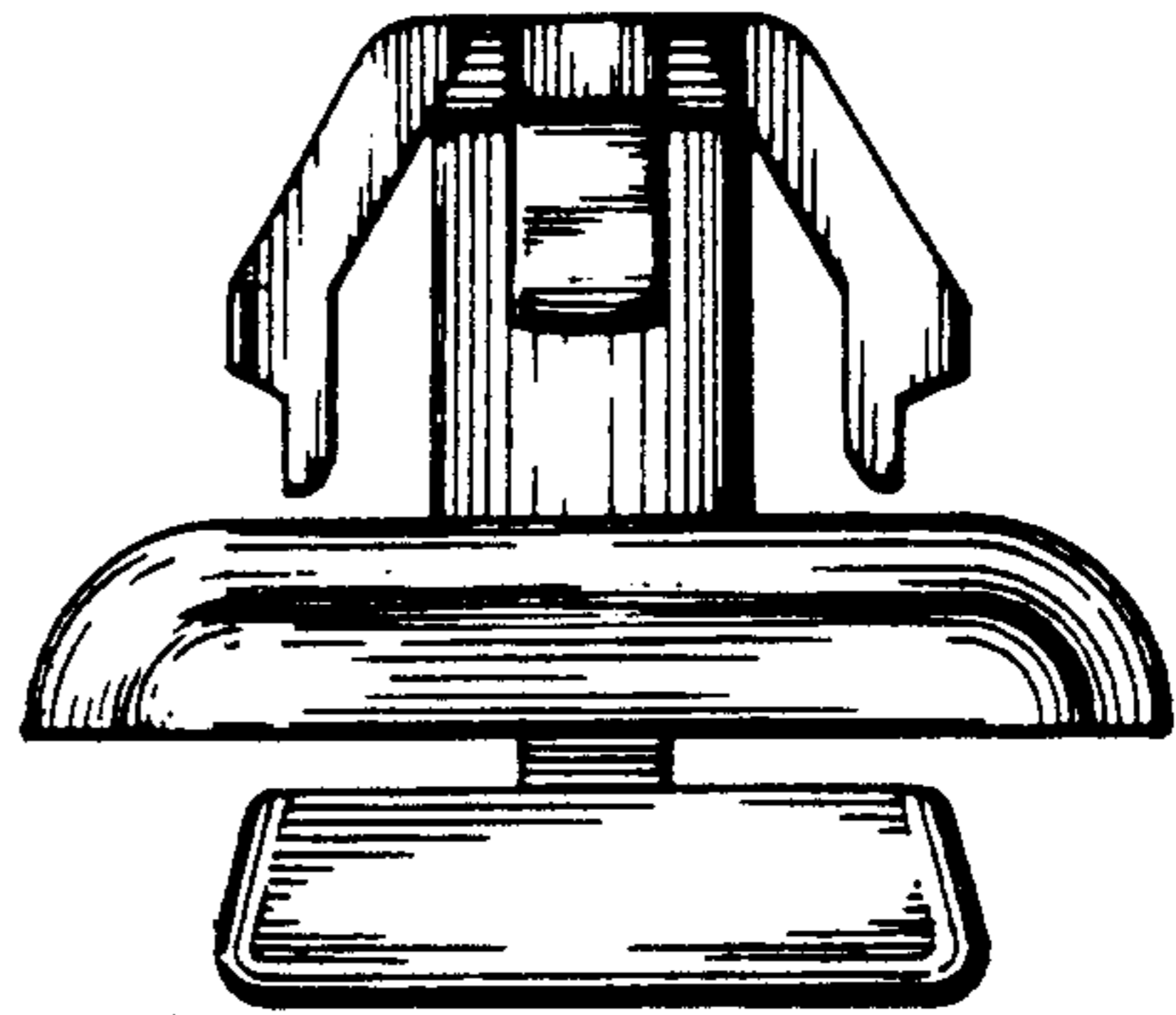


FIG 5

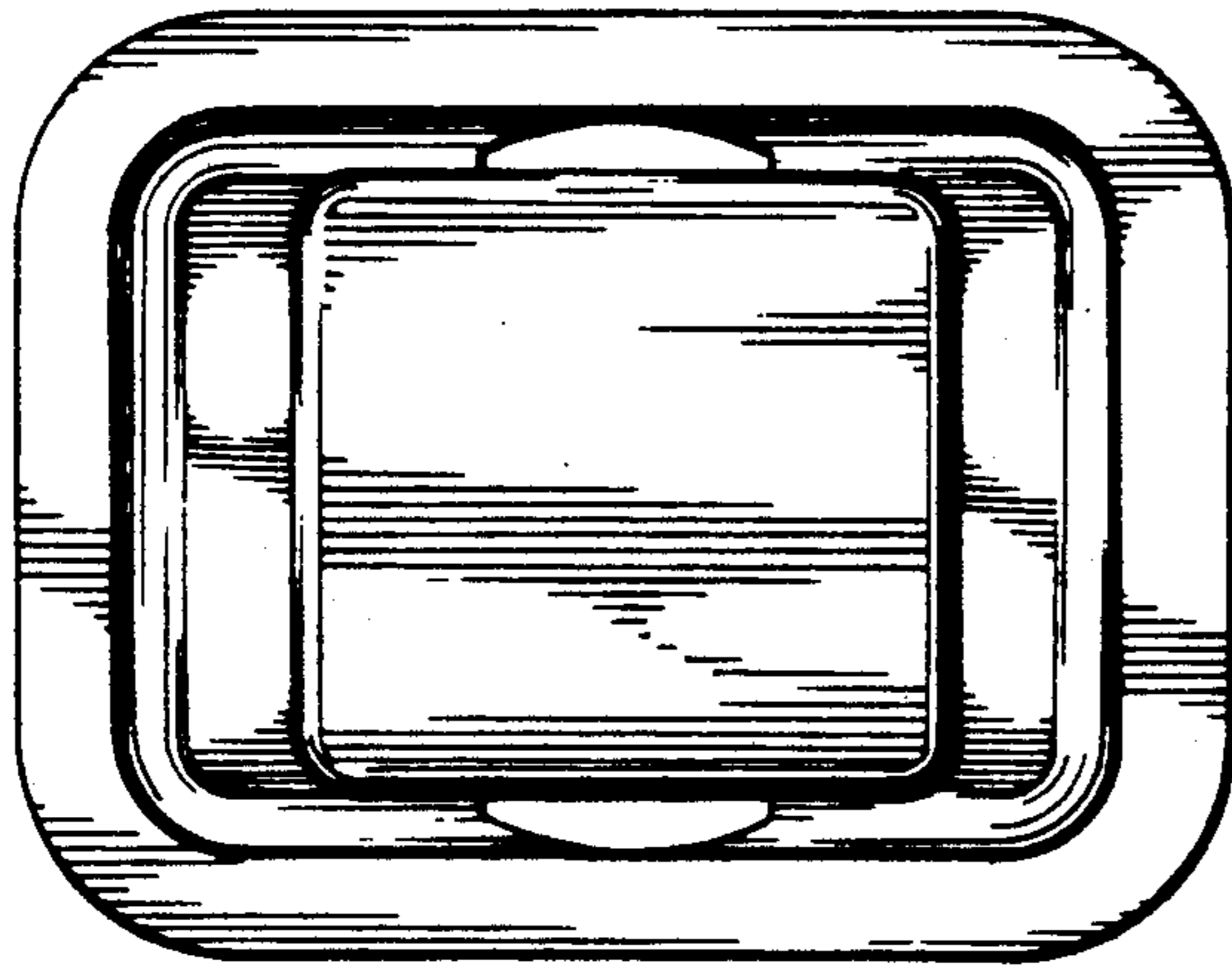


FIG 4