

# United States Patent [19]

Cossey

[11] Patent Number: **Des. 317,856**

[45] Date of Patent: **\*\* Jul. 2, 1991**

[54] **COMBINED PORTABLE CAN OPENER AND CLEANER**

[76] Inventor: **Stephen P. J. Cossey, 4245 Judson, Houston, Tex. 77005**

[\*\*] Term: **14 Years**

[21] Appl. No.: **346,019**

[22] Filed: **May 1, 1989**

[52] U.S. Cl. .... **D8/34; D8/40; D32/35**

[58] Field of Search ..... **D8/33, 34, 40, 41; D9/499; D7/624; 7/151; 81/3.07, 3.09, 3.55; 15/210 R, 211; D32/35, 40, 46**

[56] **References Cited**

### U.S. PATENT DOCUMENTS

D. 232,415 8/1974 Matsumoto ..... D8/40  
D. 267,783 2/1983 Lang ..... D7/624 X  
4,530,260 7/1985 Holka ..... 81/3.55

*Primary Examiner*—Terry A. Pfeffer

[57] **CLAIM**

The ornamental design for a combined portable can opener and cleaner, as shown.

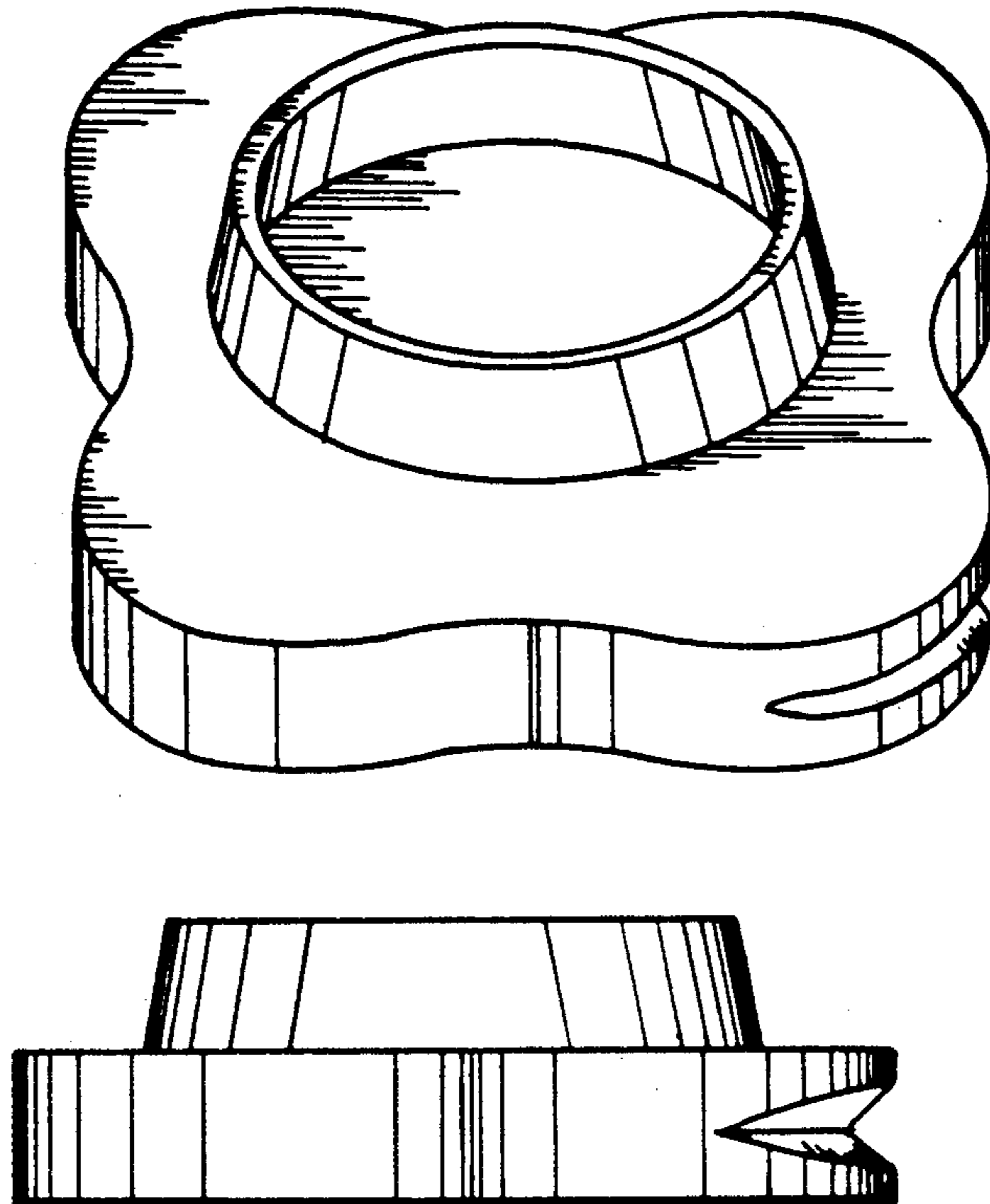
### DESCRIPTION

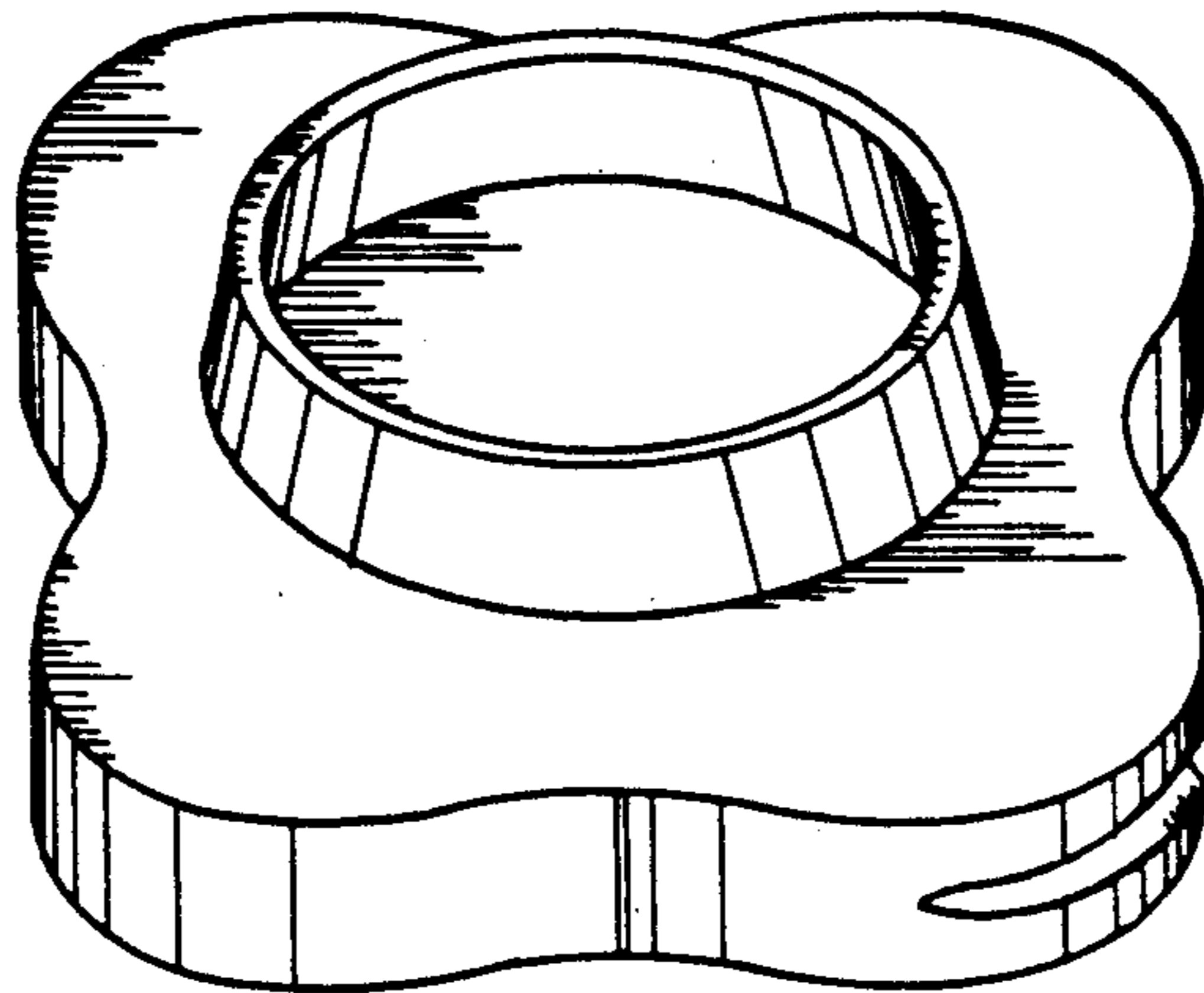
FIG. 1 is a bottom perspective view of a combined portable can opener and cleaner showing my new design;

FIG. 2 is a top perspective view thereof;

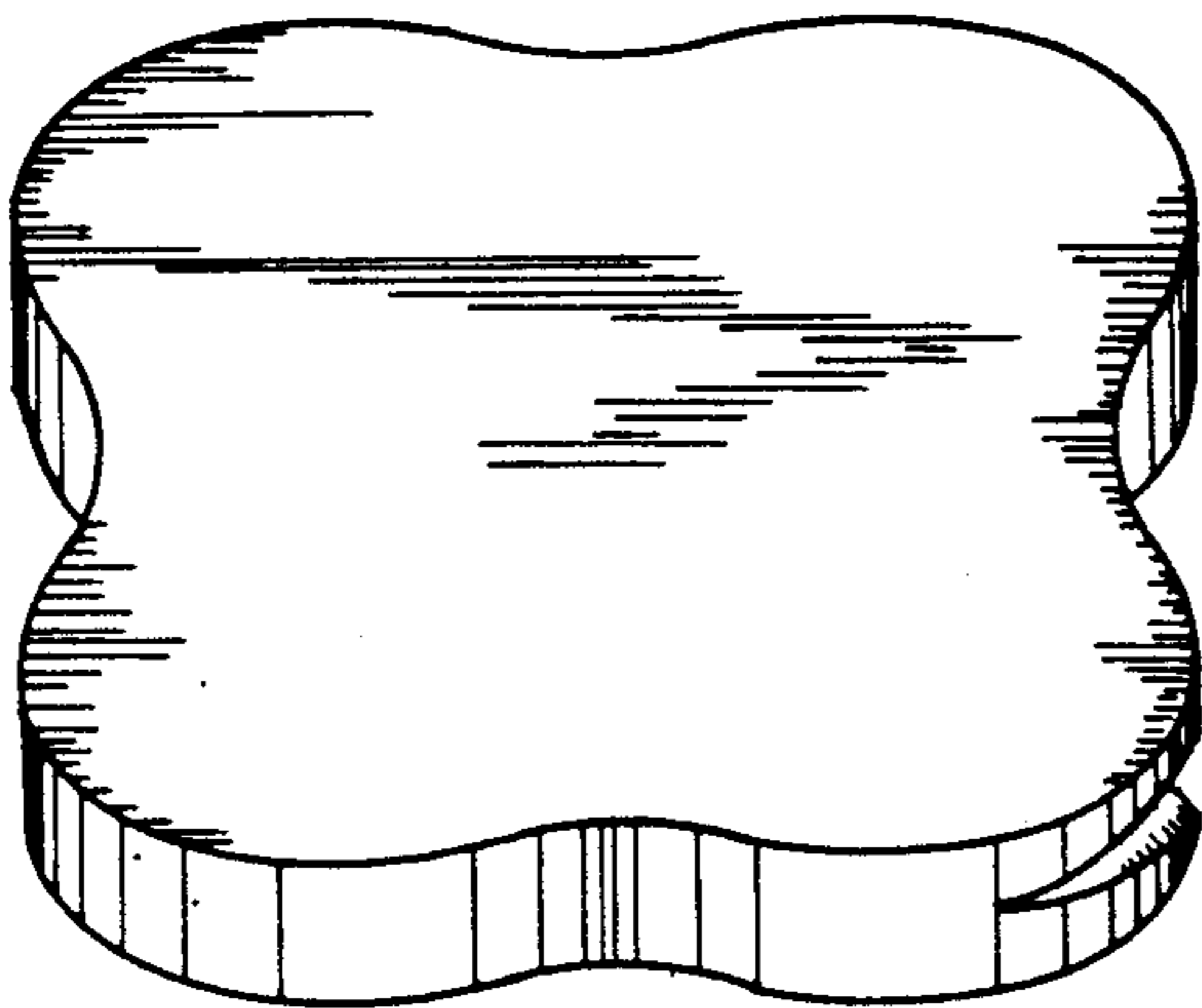
FIG. 3 is a side elevational view thereof;

FIG. 4 is a bottom plan view thereof.

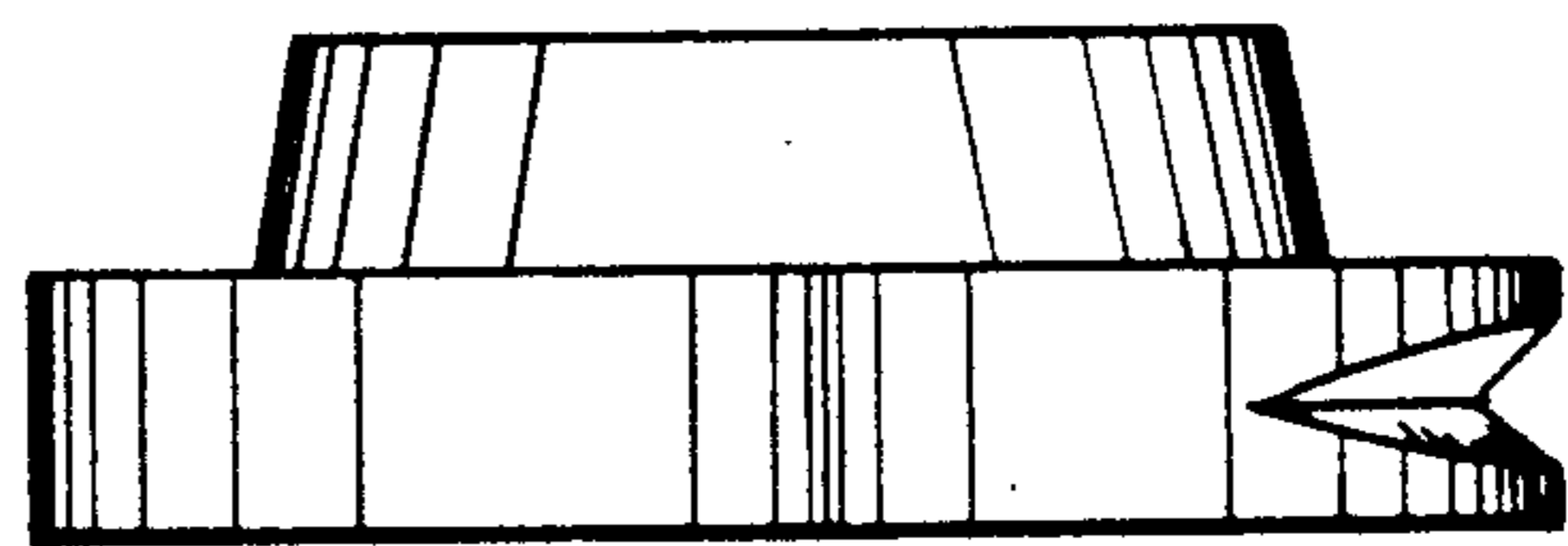




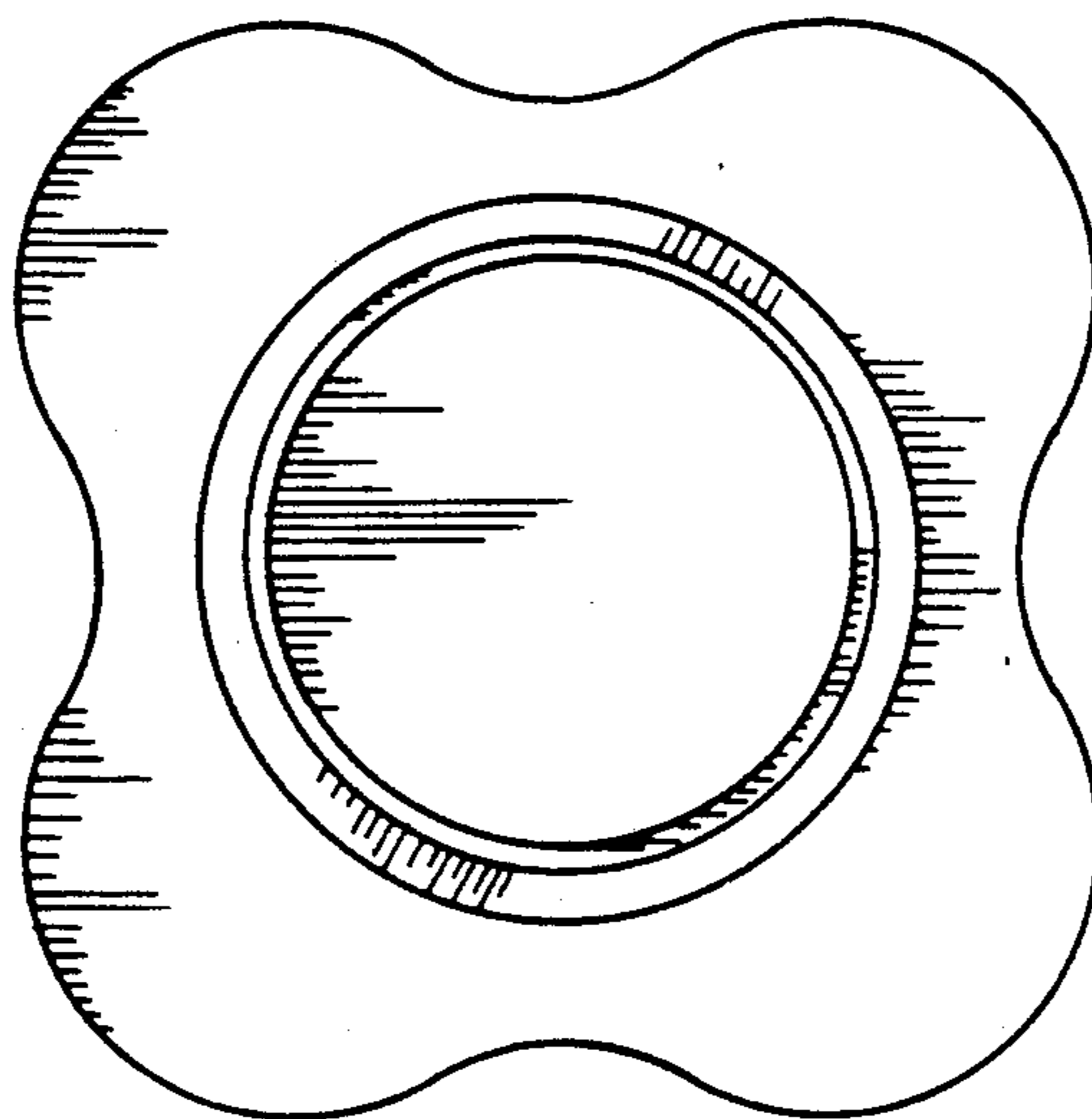
**FIG. 1**



**FIG. 2**



**FIG. 3**



**FIG. 4**