

[54] **WEEDING HOE BLADE**

[76] **Inventor: Michael Pifalo, 336 Salem St.,
Malden, Mass. 02148**

[**] **Term: 14 Years**

[21] **Appl. No.: 310,078**

[22] **Filed: Feb. 13, 1989**

[52] **U.S. Cl. D8/11**

[58] **Field of Search D8/1, 6, 13, 11;
56/400.01, 400.13, 400.17; 294/25, 55; 7/114;
172/375**

[56] **References Cited**

U.S. PATENT DOCUMENTS

- D. 193,486 8/1962 Wenger D8/6
D. 243,438 2/1977 Batley 56/400.01 X
D. 303,912 10/1989 Butler D8/1

OTHER PUBLICATIONS

Union Catalog, Dec. 4, 1986, p. 35, Hoes, Items 5, 6, 7 and 8 on right side of page.

Primary Examiner—Susan J. Lucas

Assistant Examiner—Holly H. Baynham

[57] **CLAIM**

The ornamental design for a weeding hoe blade, as shown and described.

DESCRIPTION

FIG. 1 is a perspective view of a weeding hoe blade showing my new design;

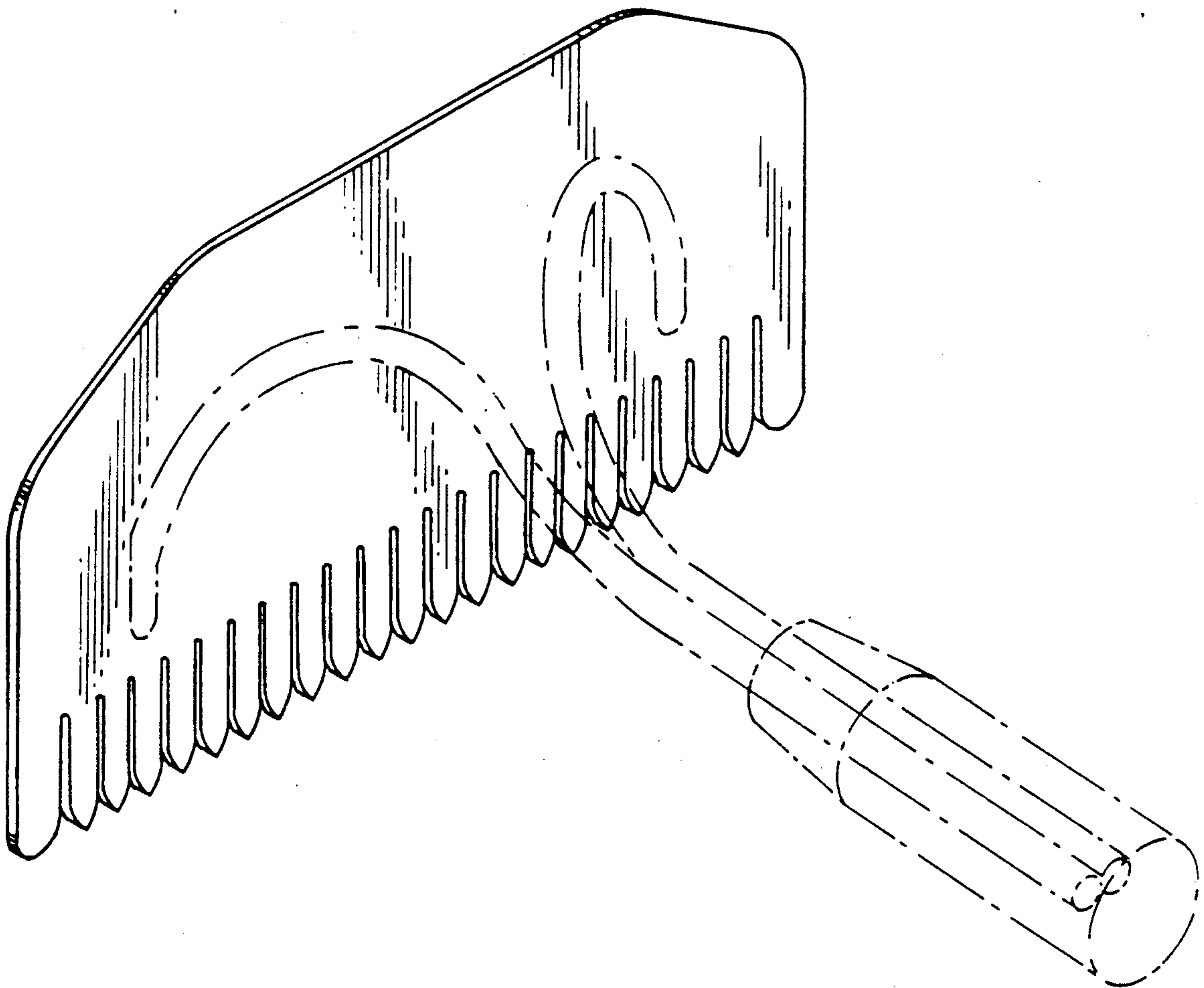
FIG. 2 is a top plan view thereof;

FIG. 3 is a bottom plan view thereof;

FIG. 4 is a side elevational view thereof with the opposite side being a mirror image thereof;

FIG. 5 is a front elevational view thereof.

The broken line showing of a handle and blade support is for illustrative purposes only and forms no part of the claimed design.



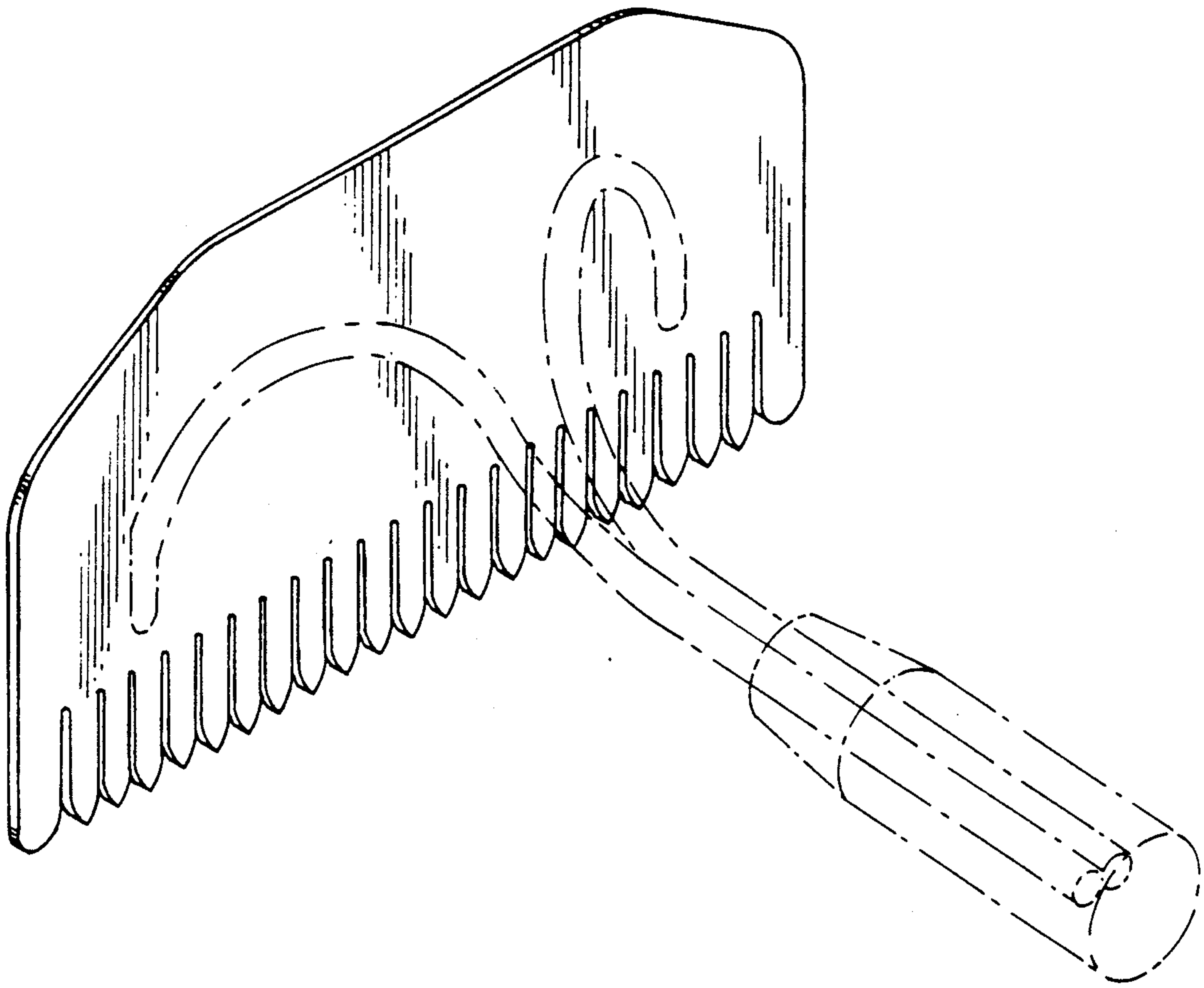


FIG. 1

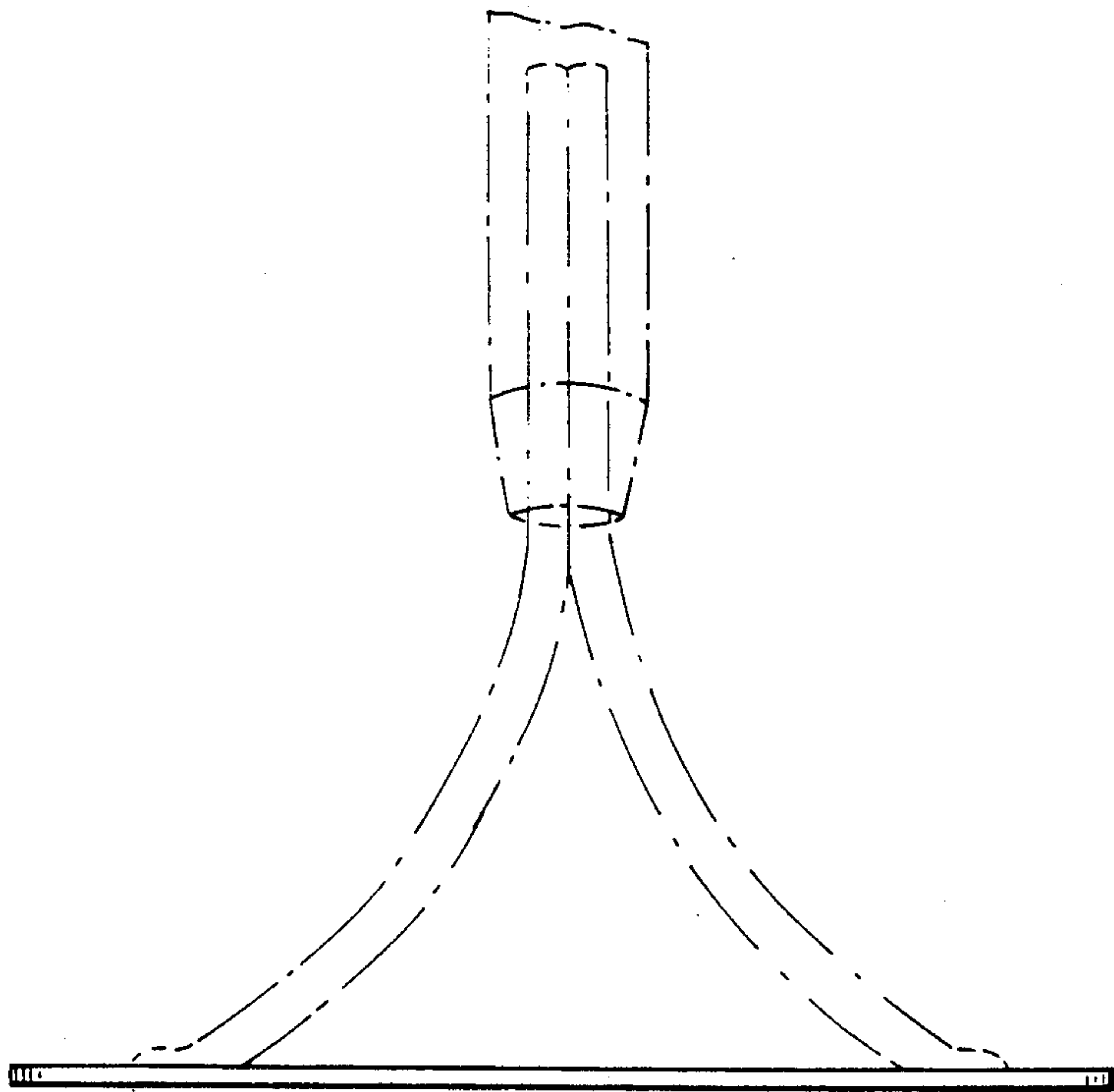


FIG. 2

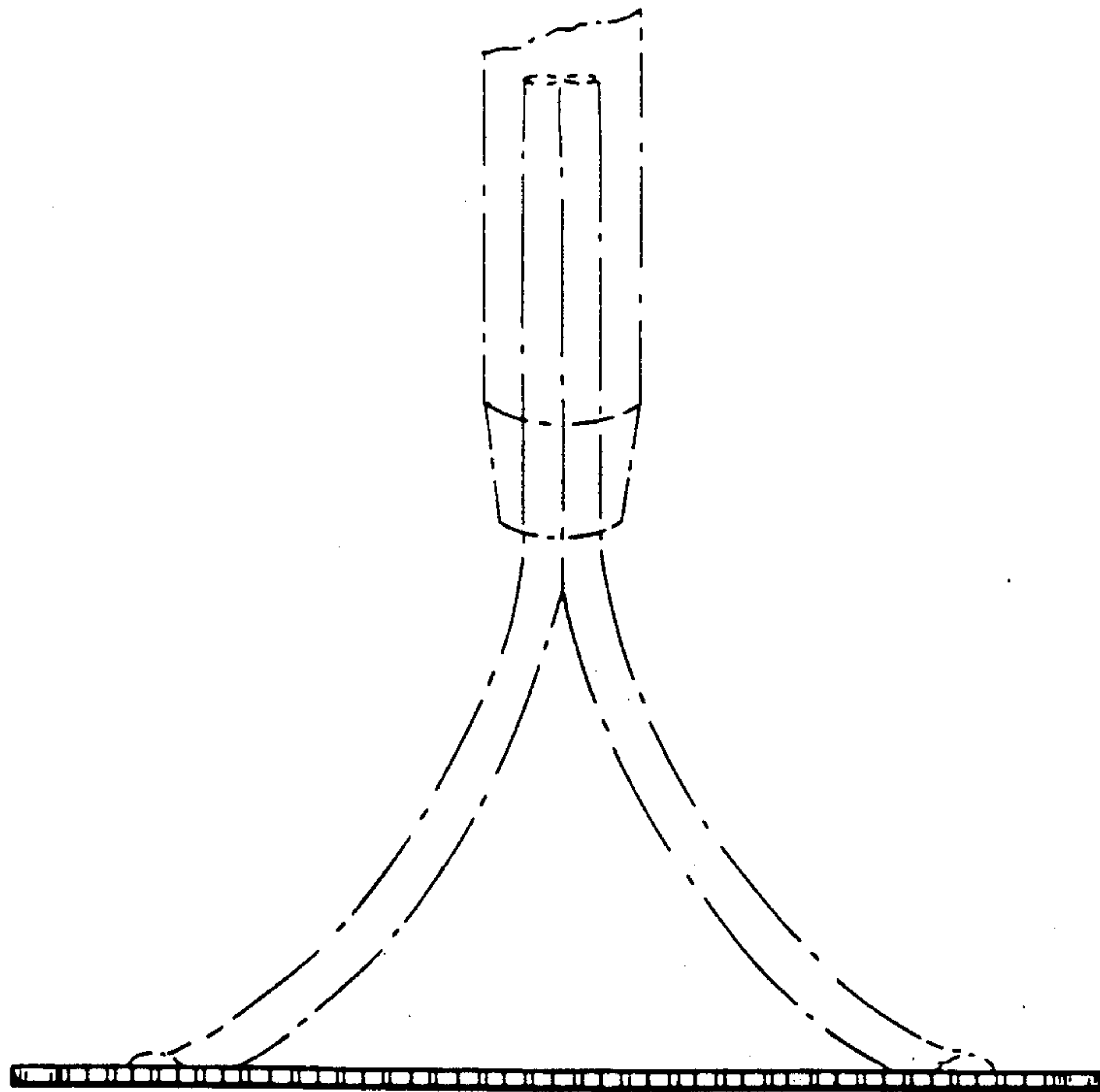


FIG. 3

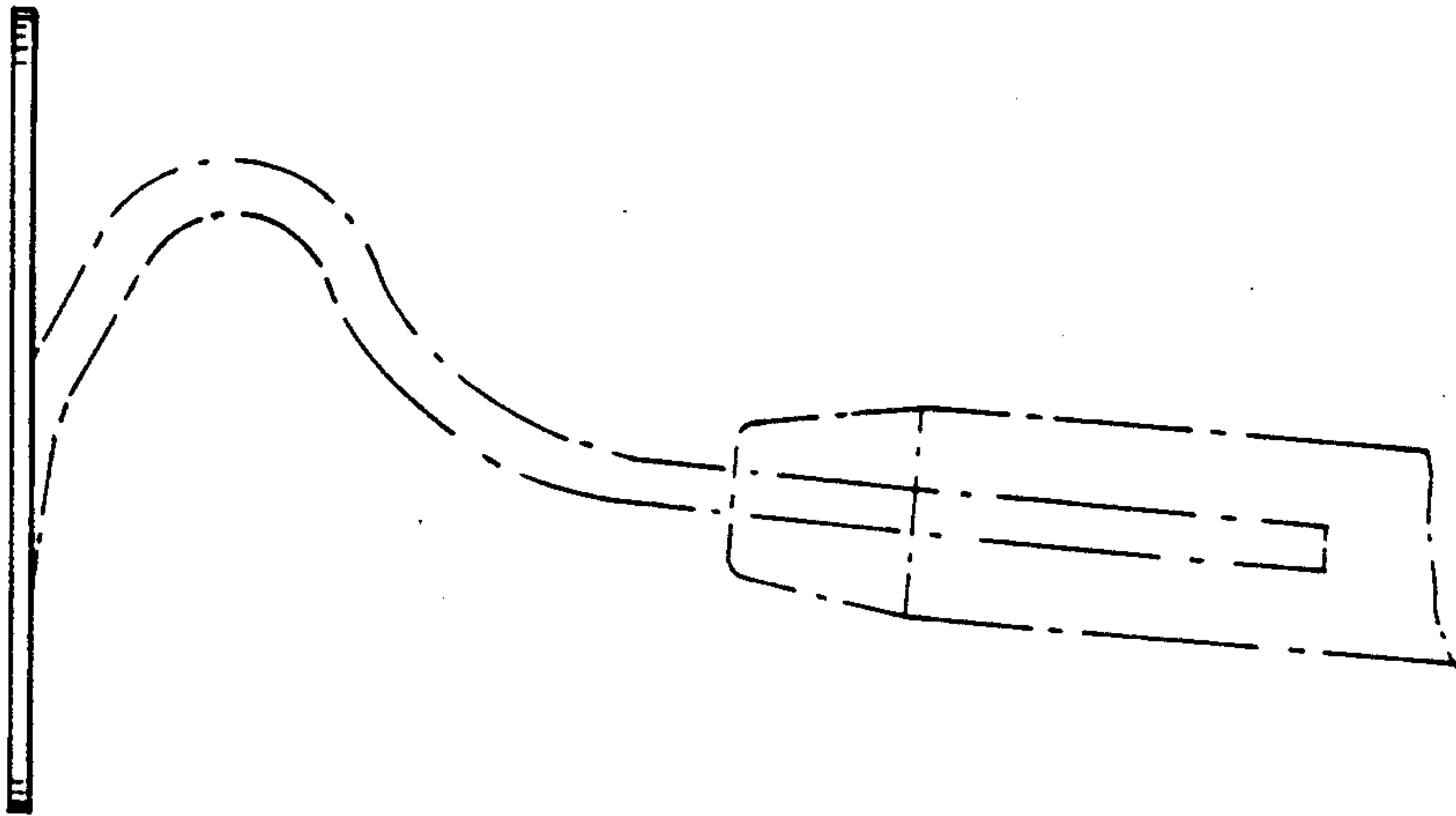


FIG. 4

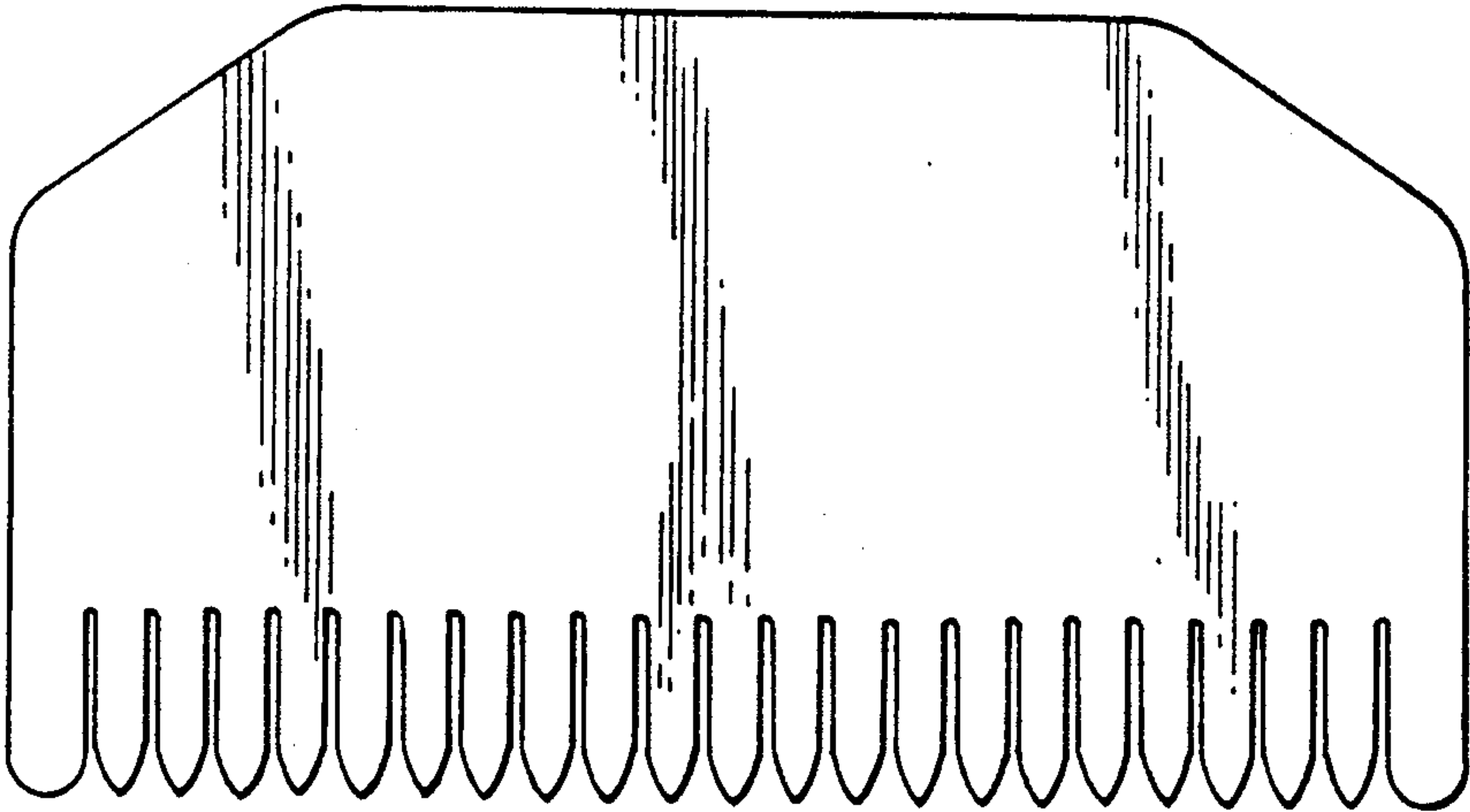


FIG. 5