

[54] GRASS SHEARS

[75] Inventors: Kimikazu Ishida; Tsuneo Ishida, both of Miki, Japan

[73] Assignee: Saboten Co., Ltd., Hyogo, Japan

[**] Term: 14 Years

[21] Appl. No.: 369,356

[22] Filed: Jun. 21, 1989

[30] Foreign Application Priority Data

May 15, 1989 [JP] Japan 1-17557
[52] U.S. Cl. D8/5
[58] Field of Search D8/5, 6, 51, 52; 30/173, 182, 194, 241, 244, 245, 248, 251

[56] References Cited

U.S. PATENT DOCUMENTS

Table with 4 columns: Patent No., Date, Inventor, and Class. Includes entries for Germain, Ishida et al., Wallace, Albertson, Jr., and Wallace.

OTHER PUBLICATIONS

Hardware Age, Nov. 1987, p. 55, grass shears, circled at top of page, left-hand corner.
Union Product catalogue, Dec. 4, 1986, p. 42, grass shears, item No. 2, circled on left hand side, second from bottom.
Ames Catalogue, May 1986, p. 34, grass shears, item No. A 23.062, circled item at bottom.
House and Garden, Jun. 1962, p. 153, grass shears, located in lower right hand corner.

Primary Examiner—Susan J. Lucas
Assistant Examiner—Holly H. Baynham
Attorney, Agent, or Firm—Koda and Androlia

[57] CLAIM

The ornamental design for grass shears, as shown and described.

DESCRIPTION

FIG. 1 is a front elevational view of grass shears showing our new design;
FIG. 2 is a right side elevational view thereof;
FIG. 3 is a rear elevational view thereof;
FIG. 4 is a left side elevational view thereof;
FIG. 5 is a top plan view thereof;
FIG. 6 is a bottom plan view thereof;
FIG. 7 is a front elevational view thereof wherein the handle position is rotated;
FIGS. 8, 9, 10, 11, 12, 13, 14 and 15 are cross-sectional views along the lines 8—8 through 15—15 of FIG. 1, respectively.

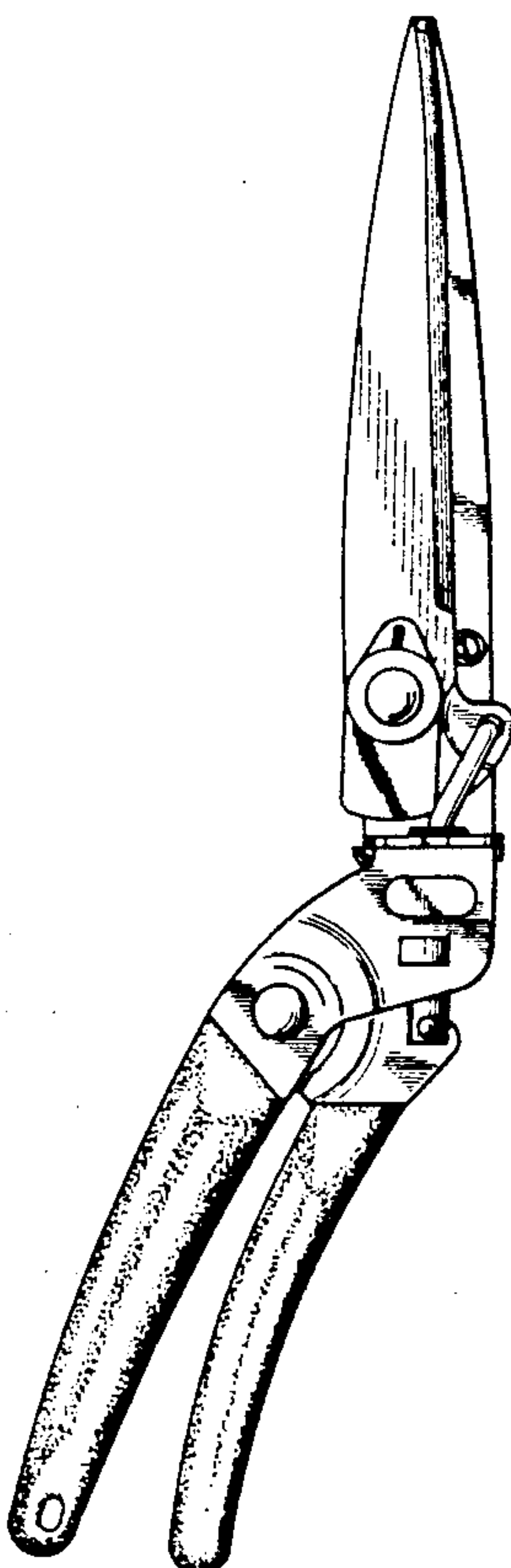


FIG. 1

FIG. 2

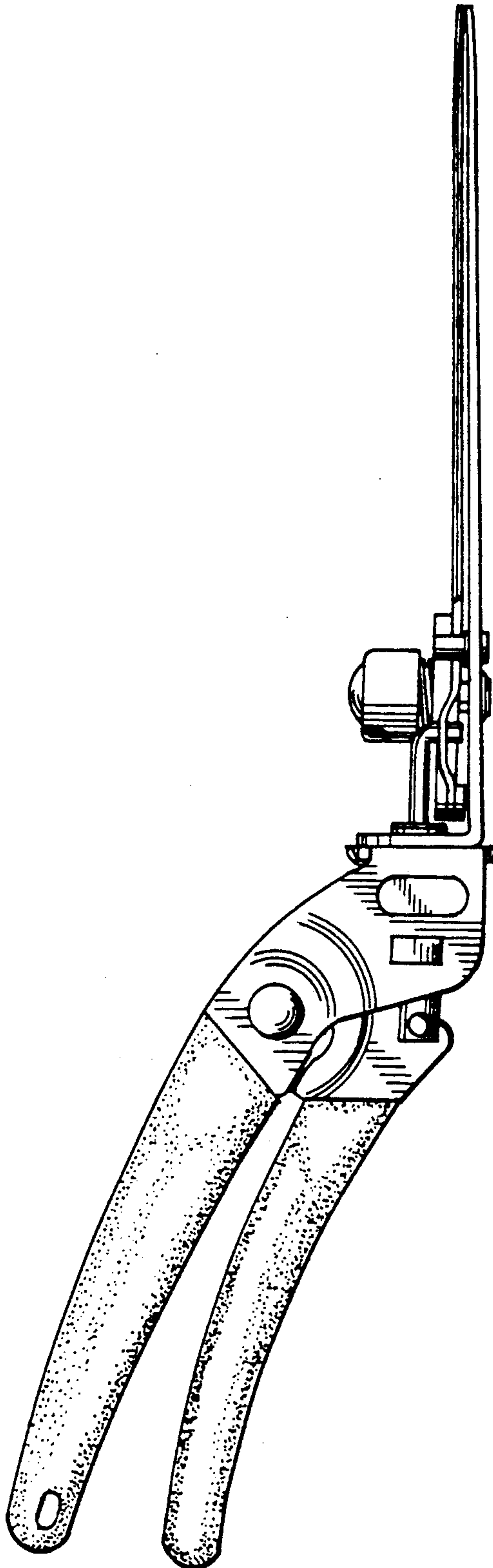
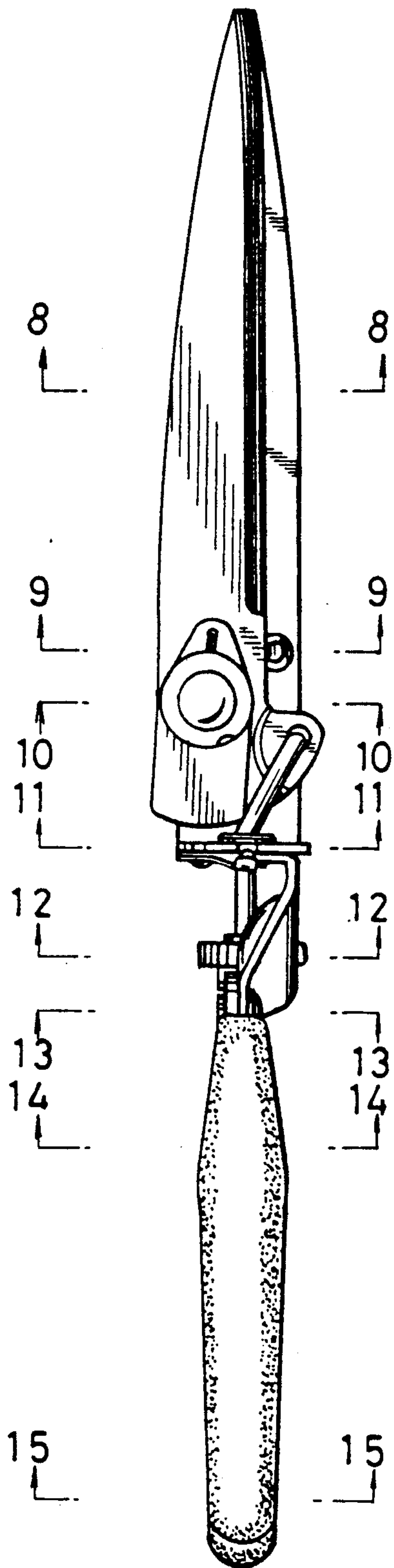


FIG. 3

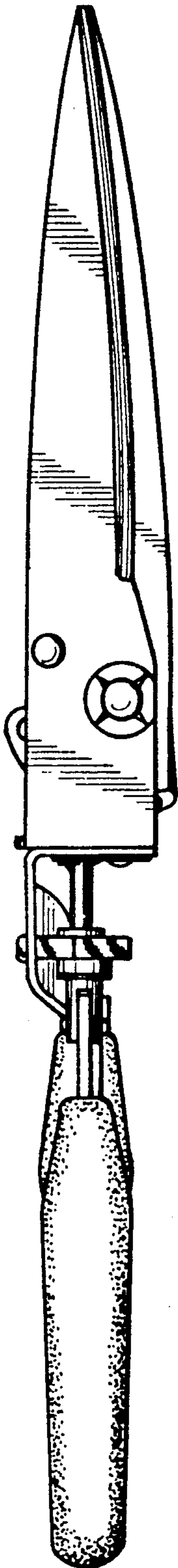


FIG. 4

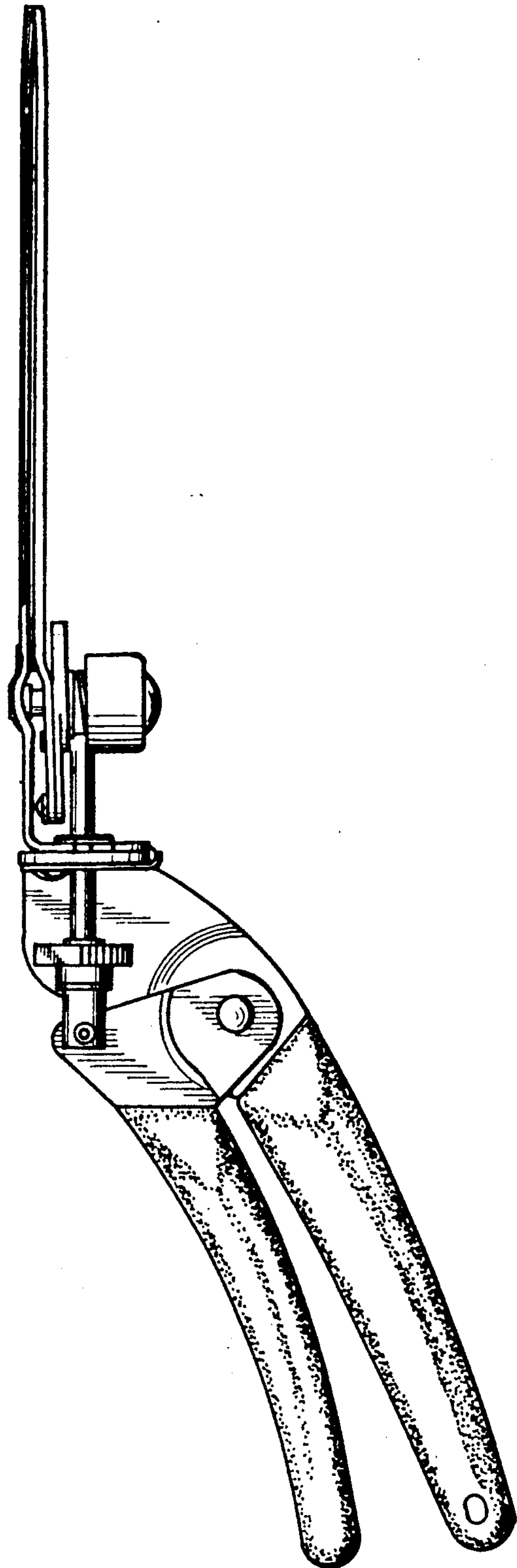


FIG. 7

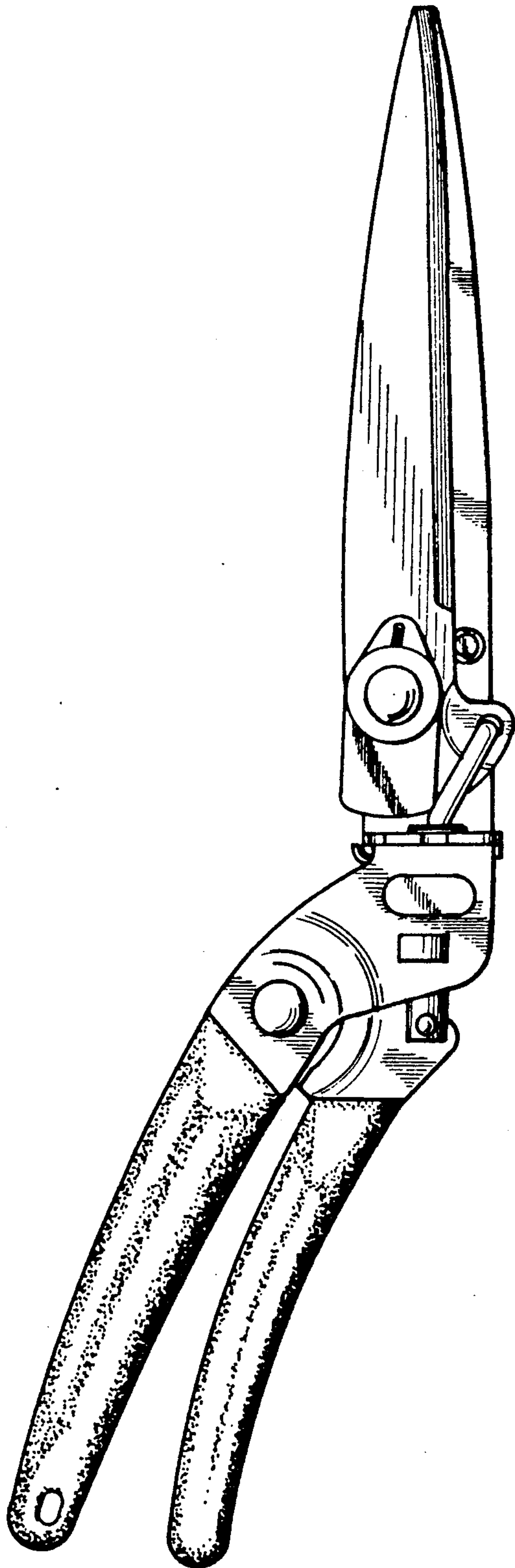


FIG. 5

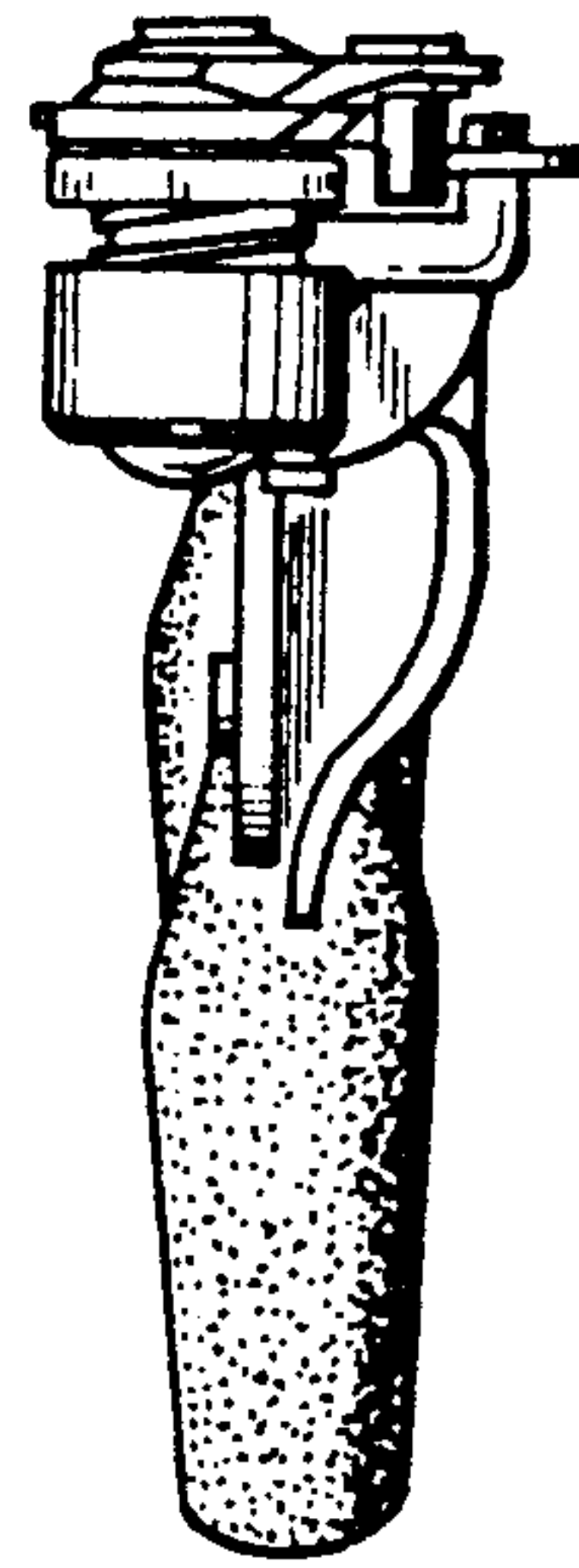


FIG. 6

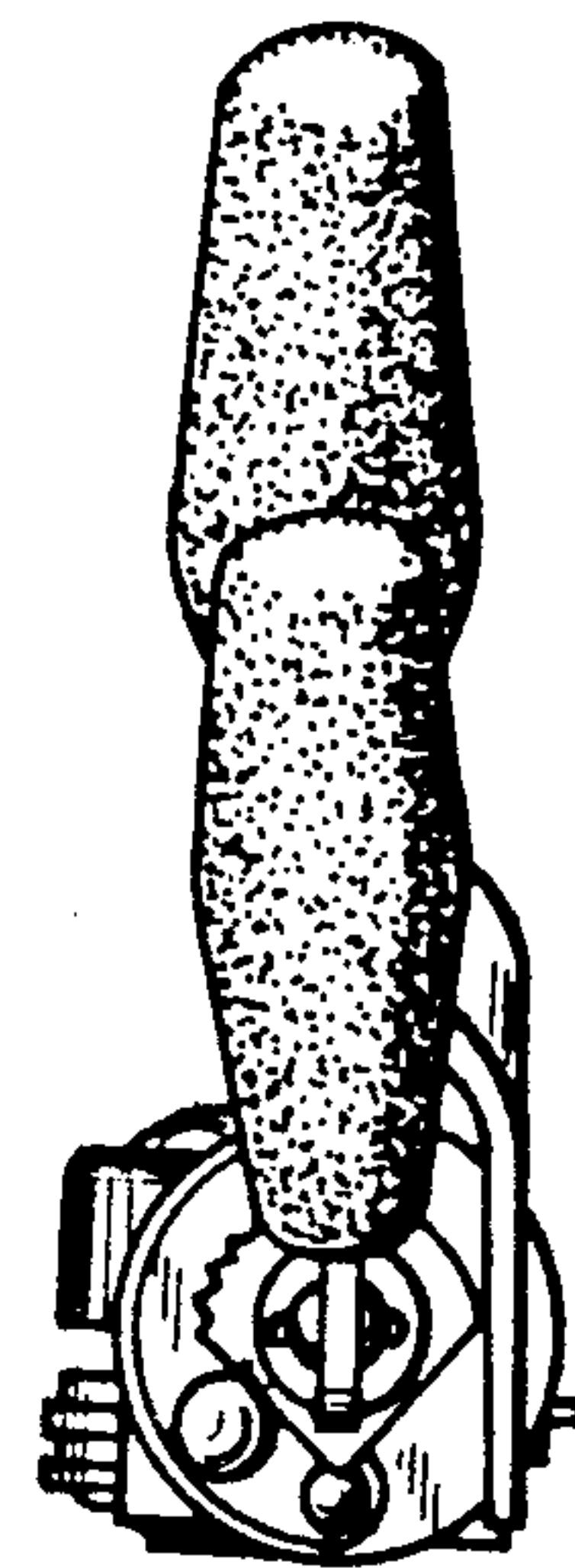


FIG. 8



FIG. 9



FIG. 10

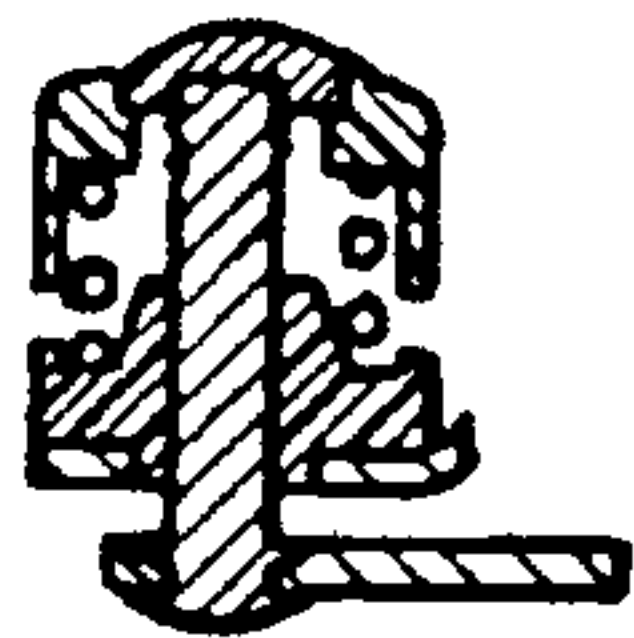


FIG. 11

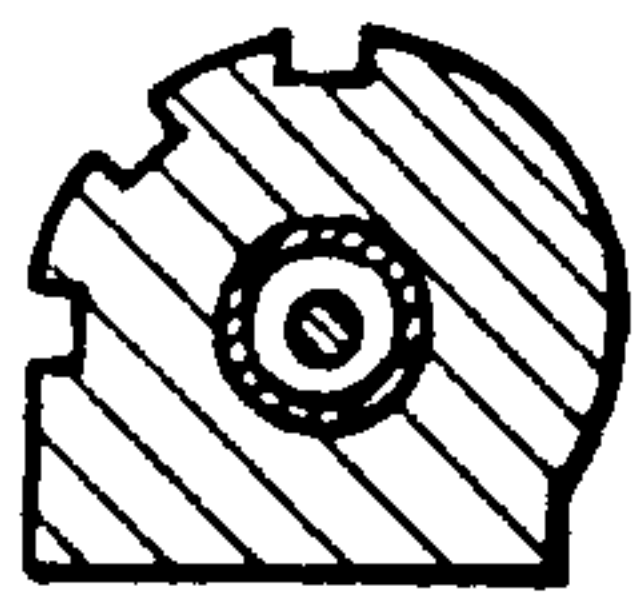


FIG. 12

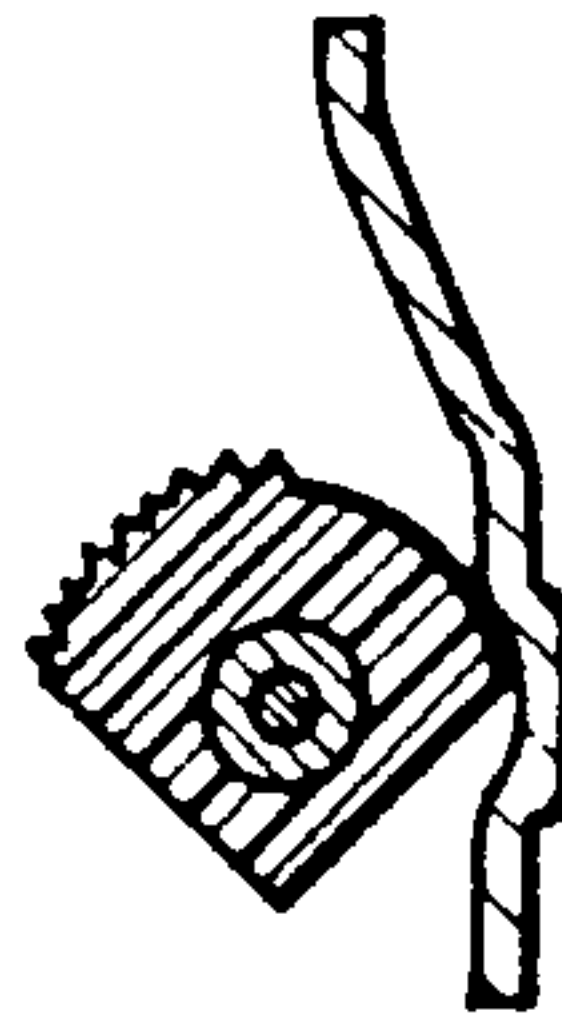


FIG. 13



FIG. 14



FIG. 15

