

United States Patent [19]

van Asten

[11] Patent Number: **Des. 317,846**

[45] Date of Patent: **** Jul. 2, 1991**

[54] **HANDLE FOR A RECHARGEABLE KNIFE**

[75] Inventor: **Jan F. van Asten, Klagenfurt, Austria**

[73] Assignee: **U.S. Philips Corporation, New York, N.Y.**

[**] Term: **14 Years**

[21] Appl. No.: **375,315**

[22] Filed: **Jun. 30, 1989**

[30] **Foreign Application Priority Data**

Jan. 30, 1989 [XH] Hague DM/012.706

[52] U.S. Cl. **D7/646; D8/61**

[58] Field of Search **D7/646, 649, 650, 651, D7/696, 693-695; D8/8, 9, 64, 61, 97, 98**

[56] **References Cited**

U.S. PATENT DOCUMENTS

D. 201,437 6/1965 Hall D7/646

D. 301,198 5/1989 Hoshino et al. D8/61

D. 302,785 8/1989 Cunningham D8/64

D. 310,008 8/1990 Reiferscheid et al. D7/646 X

OTHER PUBLICATIONS

McCall's Magazine, Dec., 1965, p. 179, Presto Electric Knife.

Primary Examiner—Winifred E. Herrmann
Attorney, Agent, or Firm—Jack E. Haken

[57] **CLAIM**

The ornamental design for a handle for a rechargeable knife, as shown.

DESCRIPTION

FIG. 1 is a front, top, and right side perspective view of a handle for a rechargeable knife showing my new design;

FIG. 2 is a right side elevational view thereof;

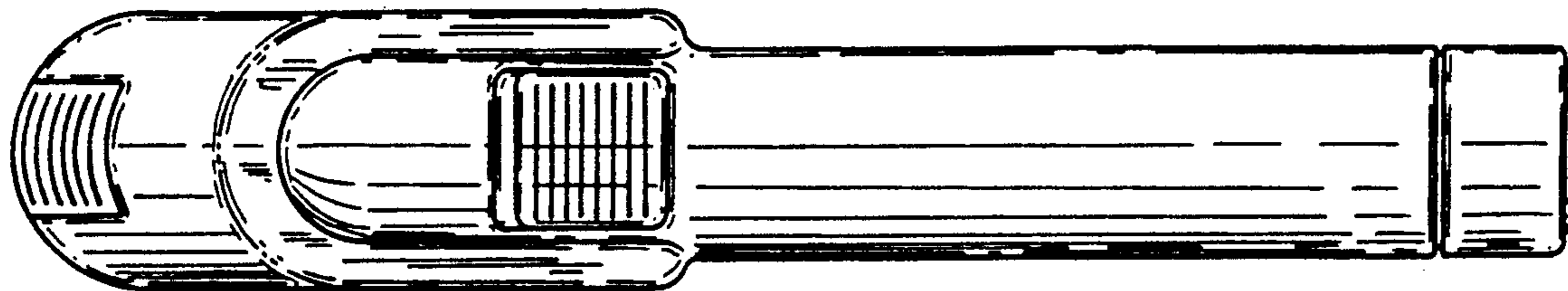
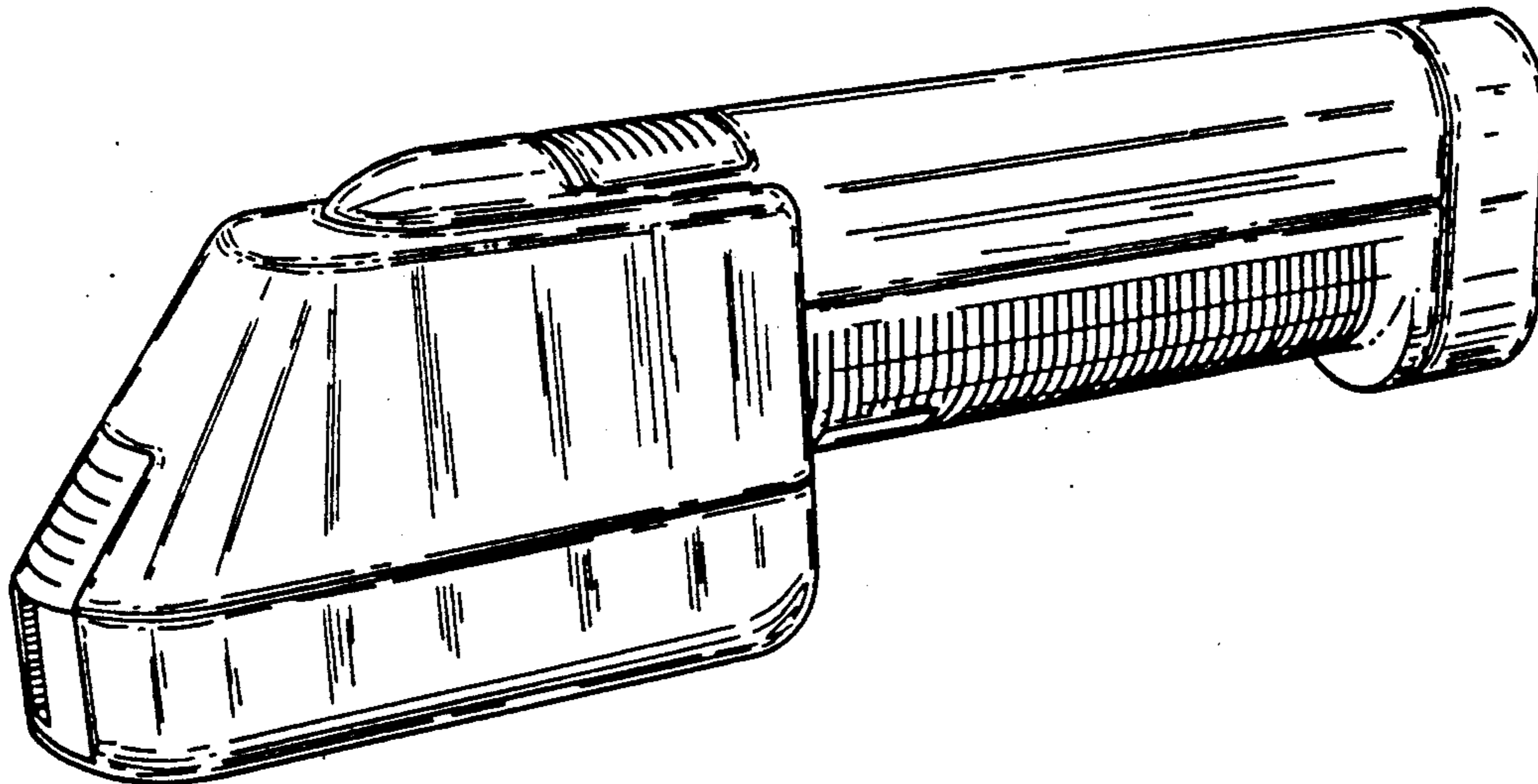
FIG. 3 is a left side elevational view thereof;

FIG. 4 is a top plan view thereof;

FIG. 5 is a bottom view thereof;

FIG. 6 is a front elevational view thereof; and

FIG. 7 is a rear elevational view thereof.



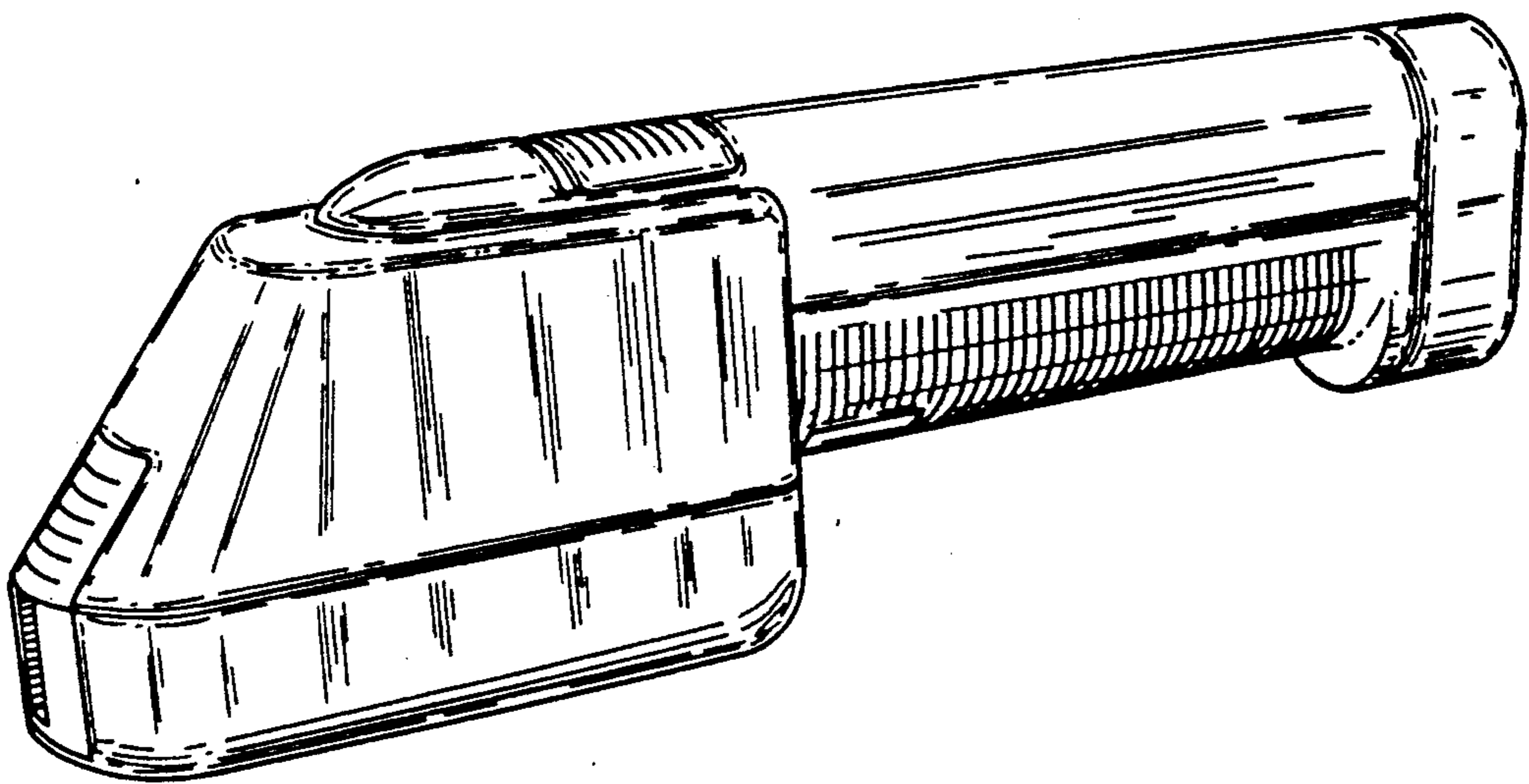


FIG. 1

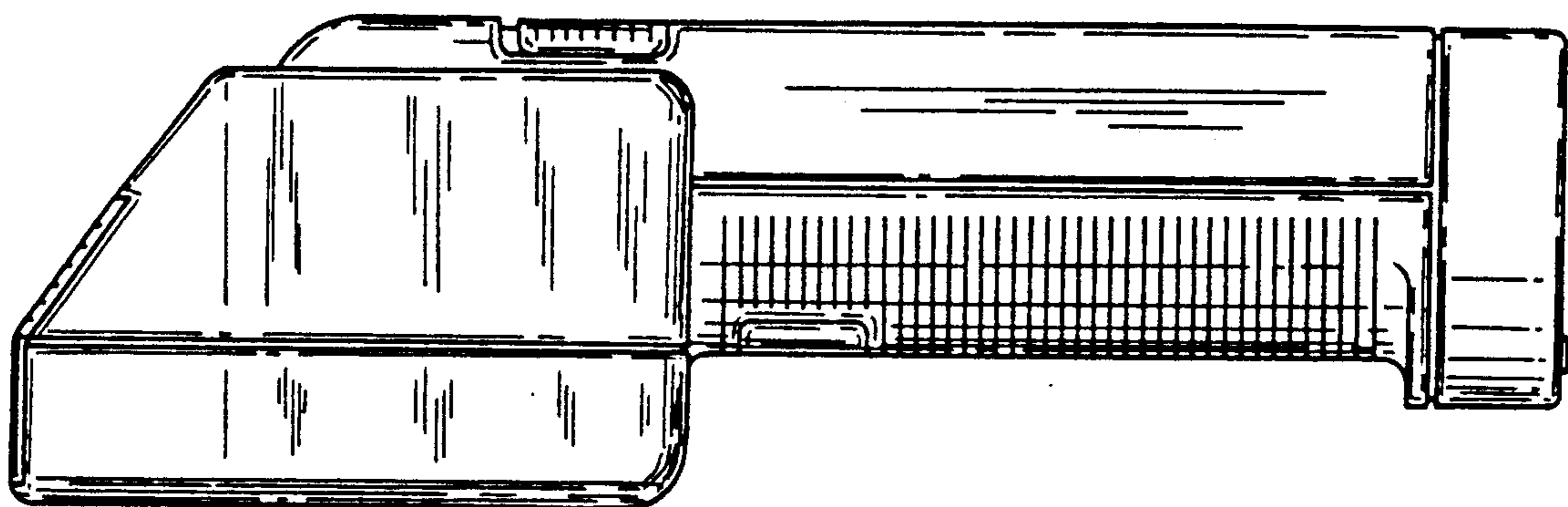


FIG. 2

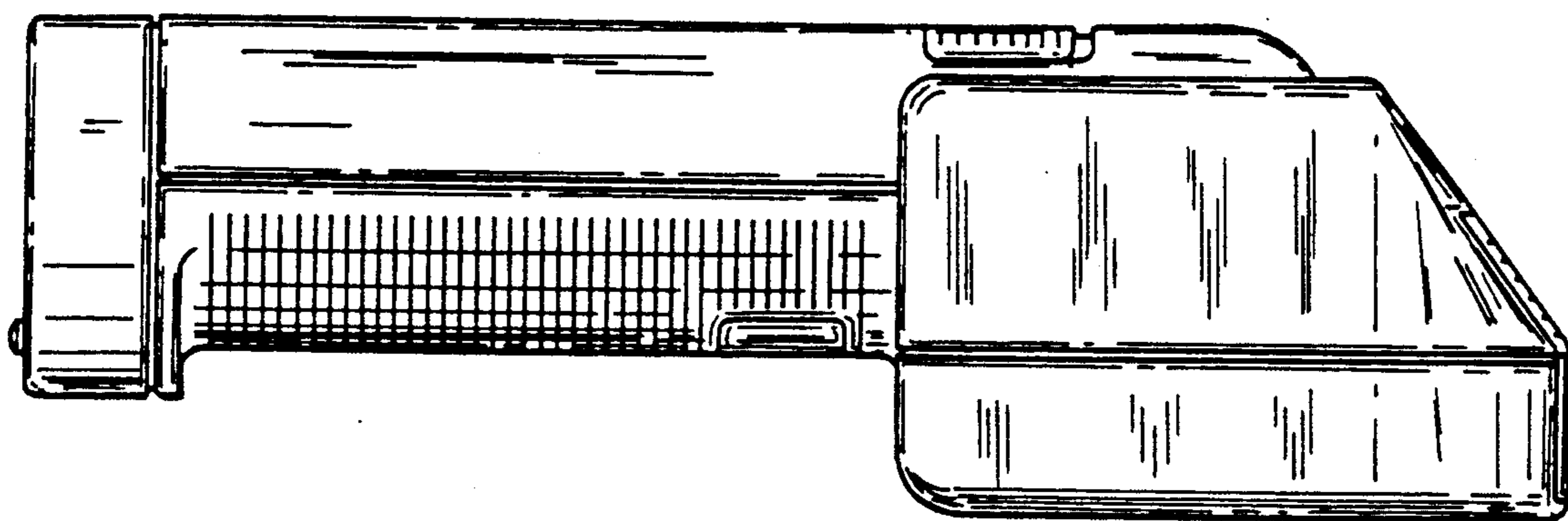


FIG. 3

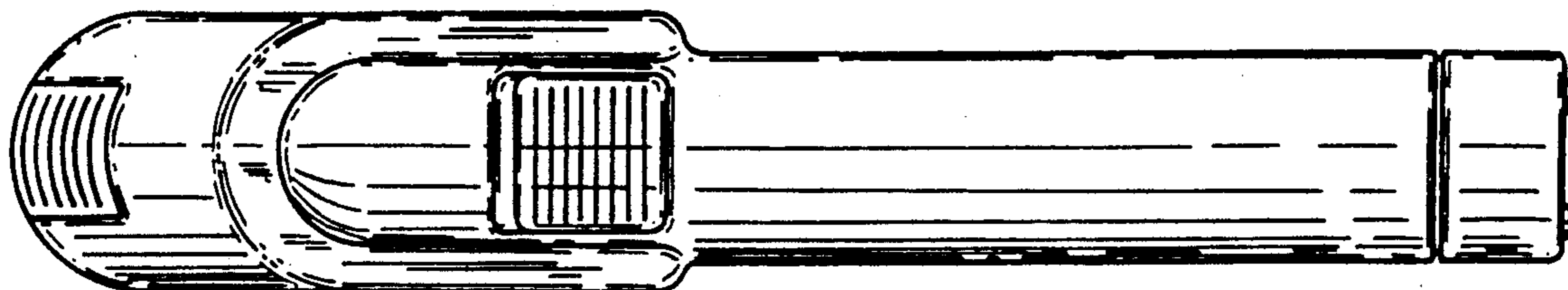


FIG. 4

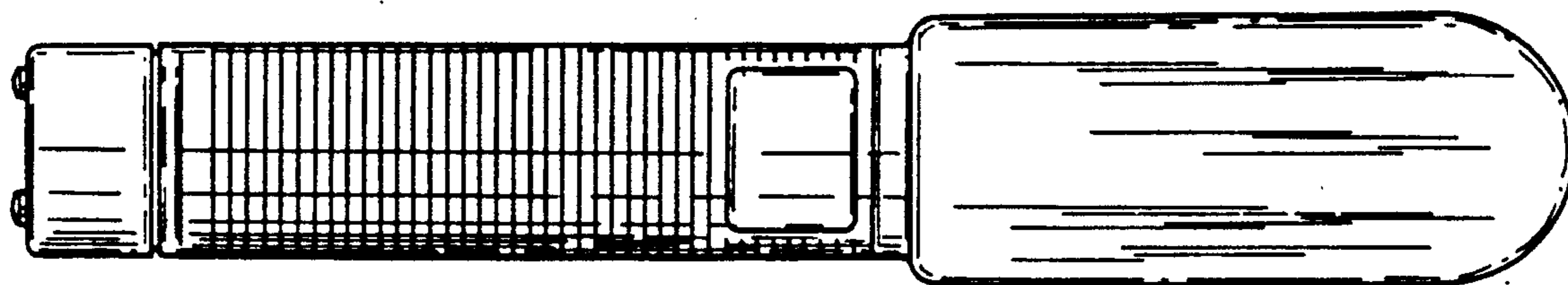


FIG. 5

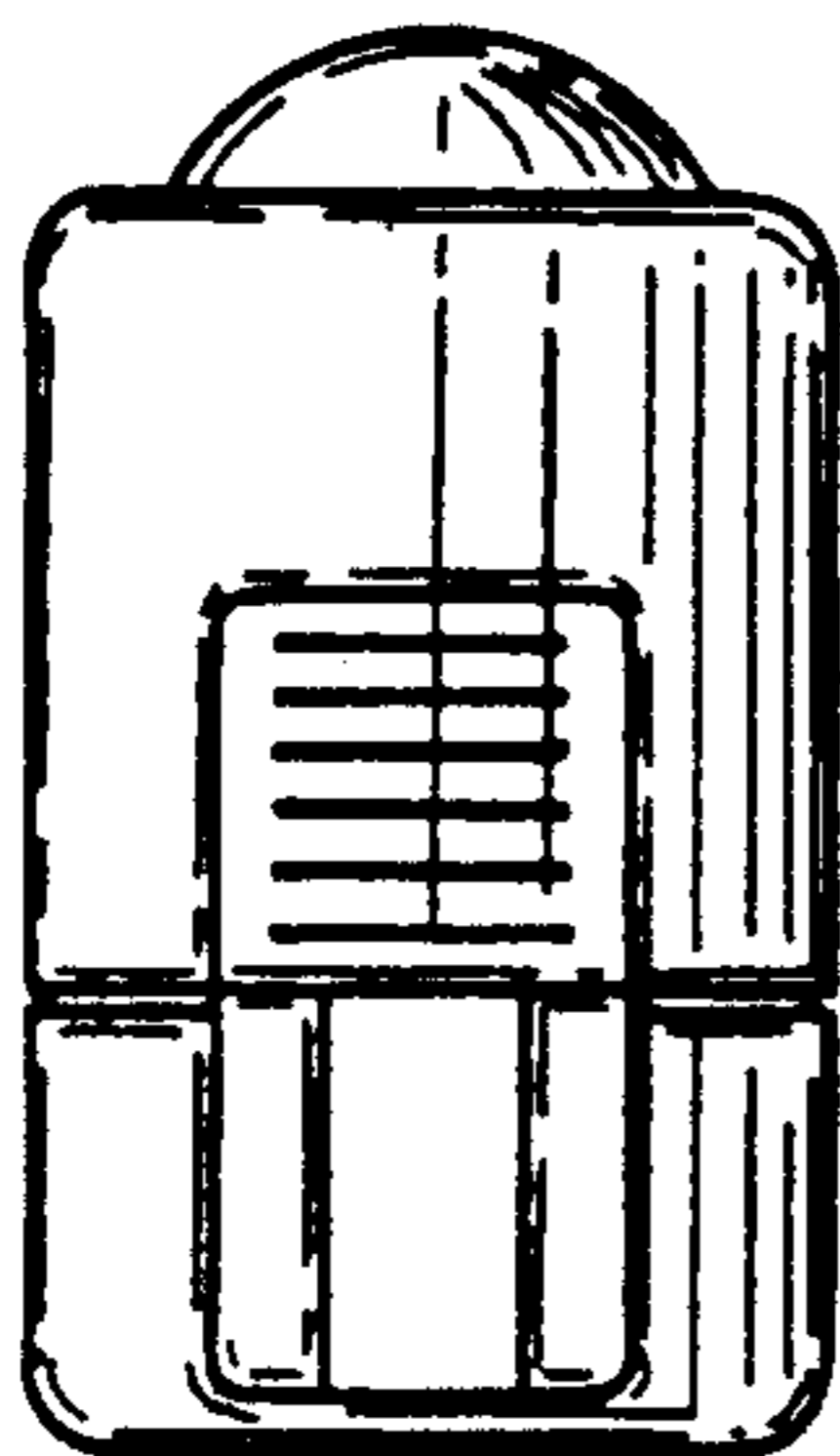


FIG. 6

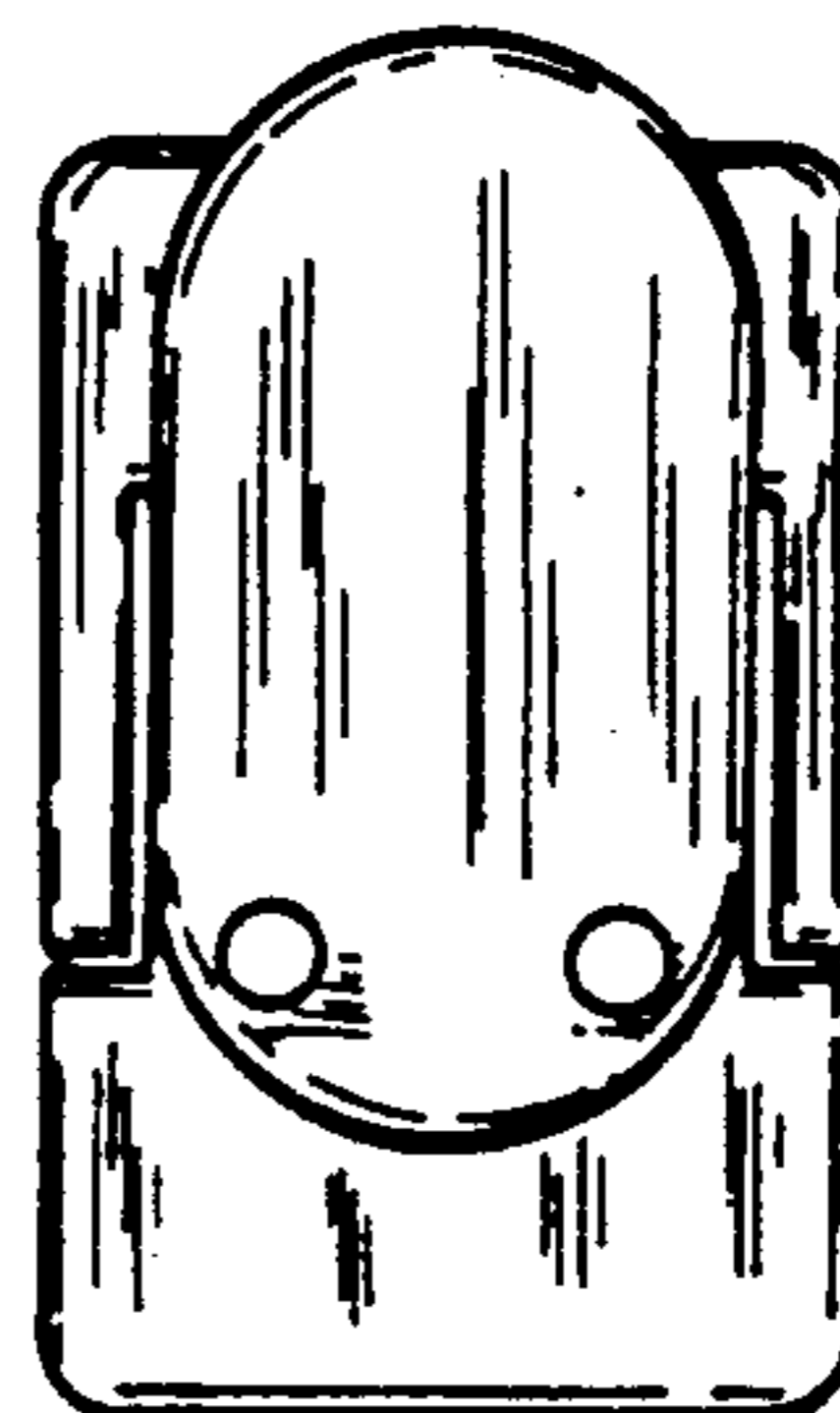


FIG. 7