

[54] CARRYING HANDLE FOR BOTTLES

[76] Inventor: Paul L. Gagnon, P.O. Box 267, Port Hueneme, Calif. 93041

[**] Term: 14 Years

[21] Appl. No.: 373,784

[22] Filed: Jun. 30, 1989

[52] U.S. Cl. D9/455; D9/434

[58] Field of Search D9/455, 434; D7/622; 294/137

3,202,309	8/1965	Simpson	294/137
3,311,252	8/1964	Swartwood et al. .	
4,458,933	7/1984	Thomas	294/137
4,579,237	4/1986	Gagnon .	
4,772,133	9/1988	Volk	294/137

Primary Examiner—Bernard Ansher
Assistant Examiner—Dominic Simone
Attorney, Agent, or Firm—Kenneth J. Hovet

[57] CLAIM

The ornamental design for a carrying handle for bottles, as shown and described.

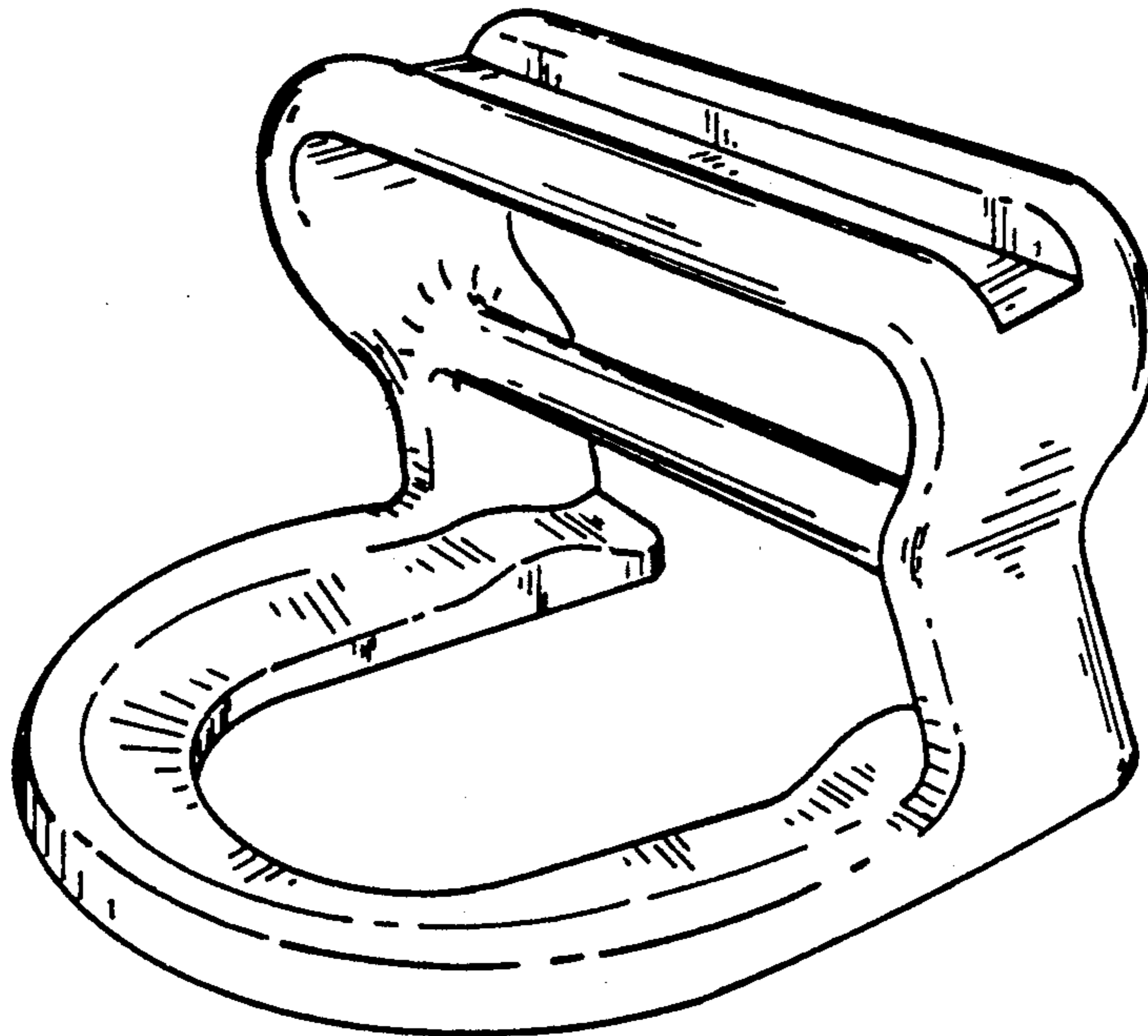
DESCRIPTION

FIG. 1 is a left side isometric view of the carrying handle for bottles showing my new design; FIG. 2 is a right side elevational view thereof; FIG. 3 is a rear elevational view thereof; FIG. 4 is a top plan view thereof; FIG. 5 is a front elevational view thereof; and, FIG. 6 is a bottom plan view thereof.

[56] References Cited

U.S. PATENT DOCUMENTS

D. 149,933	6/1948	Bushman	D7/622
D. 277,080	1/1985	Gagnon .	
D. 277,554	2/1985	Chabot	D9/434
D. 280,773	9/1985	Addy, Jr. et al.	D9/455
D. 292,160	10/1987	Thomas	D7/622
1,377,350	5/1921	Hoshin	294/137
2,248,234	7/1941	Hickman et al.	294/137



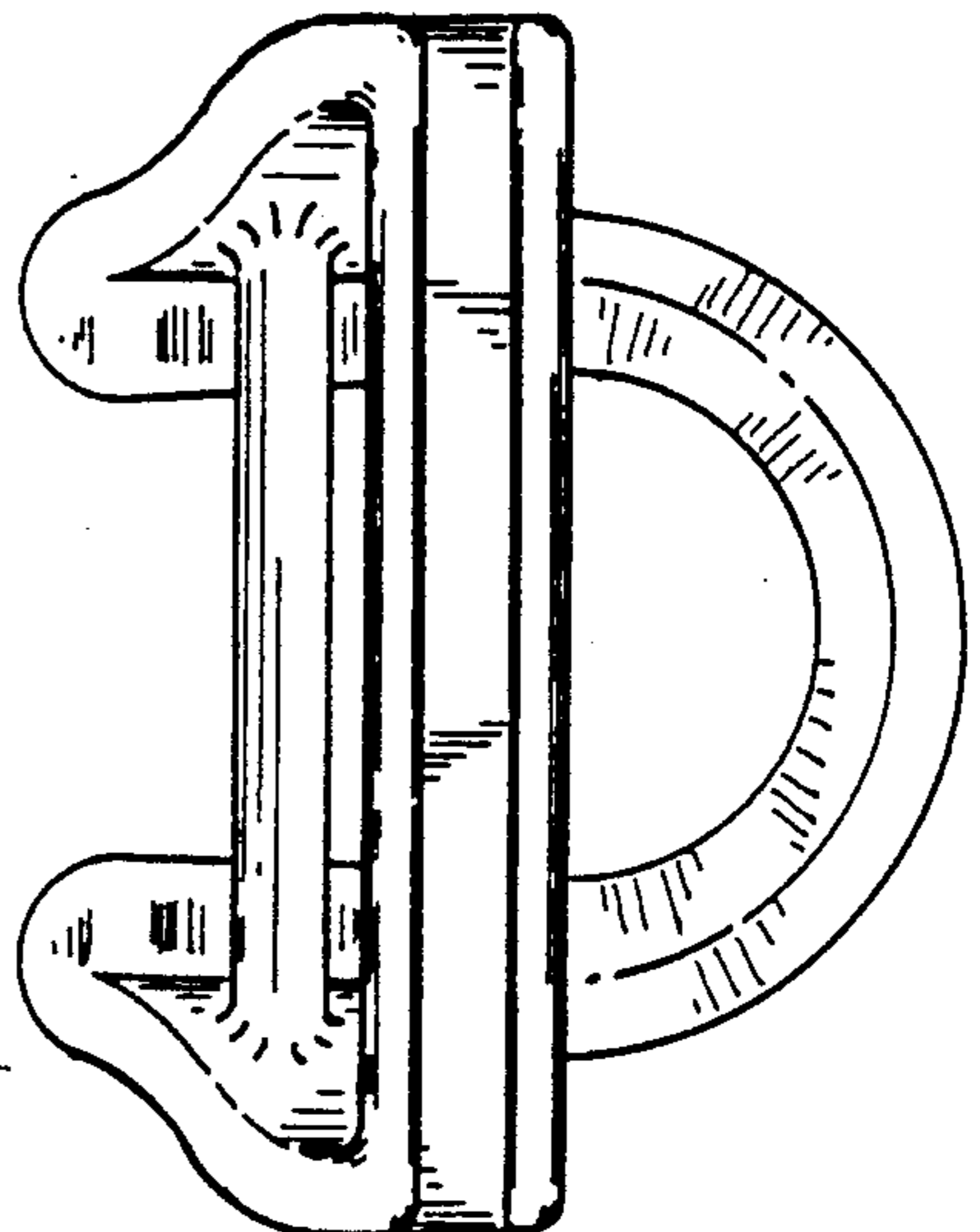
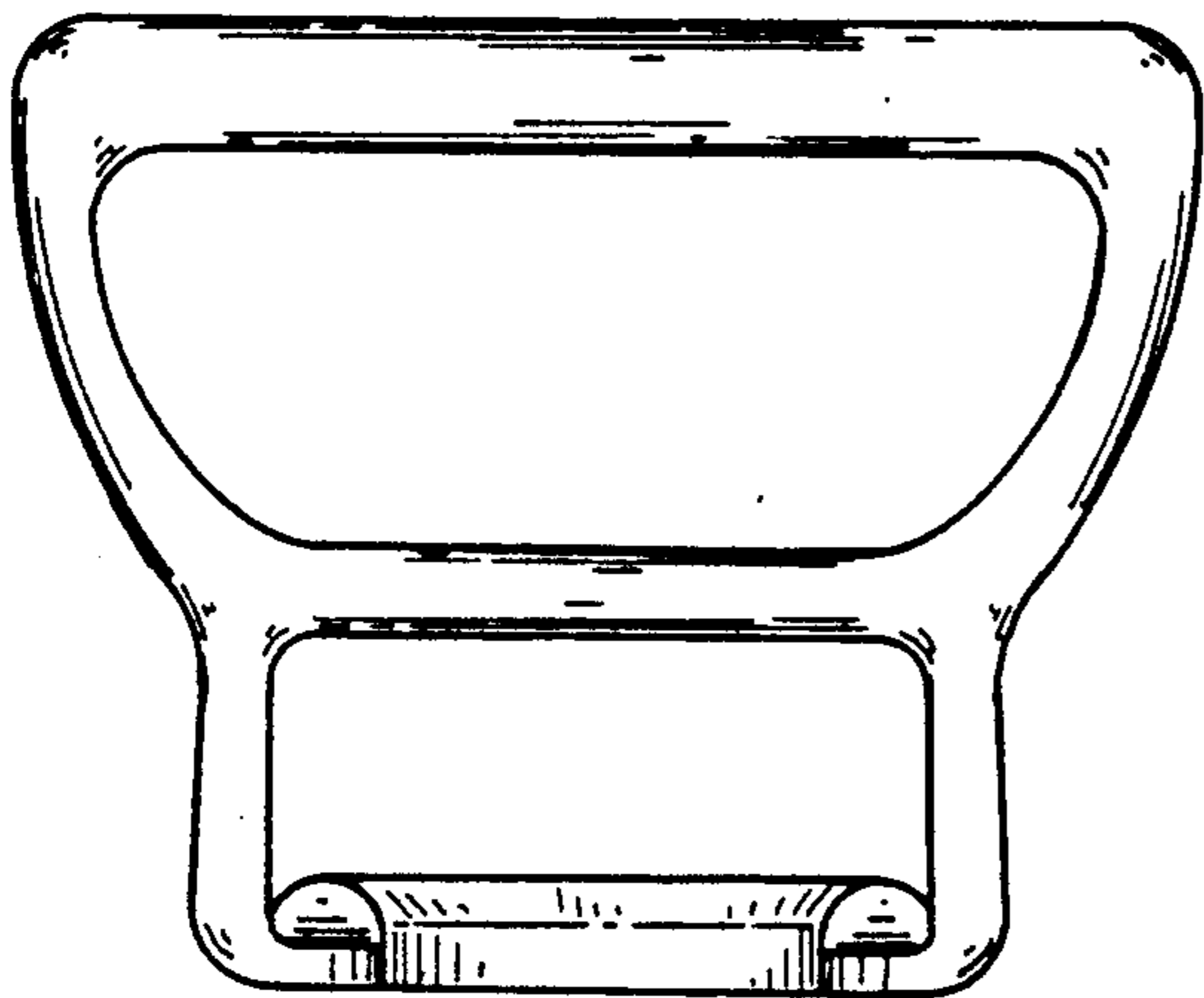
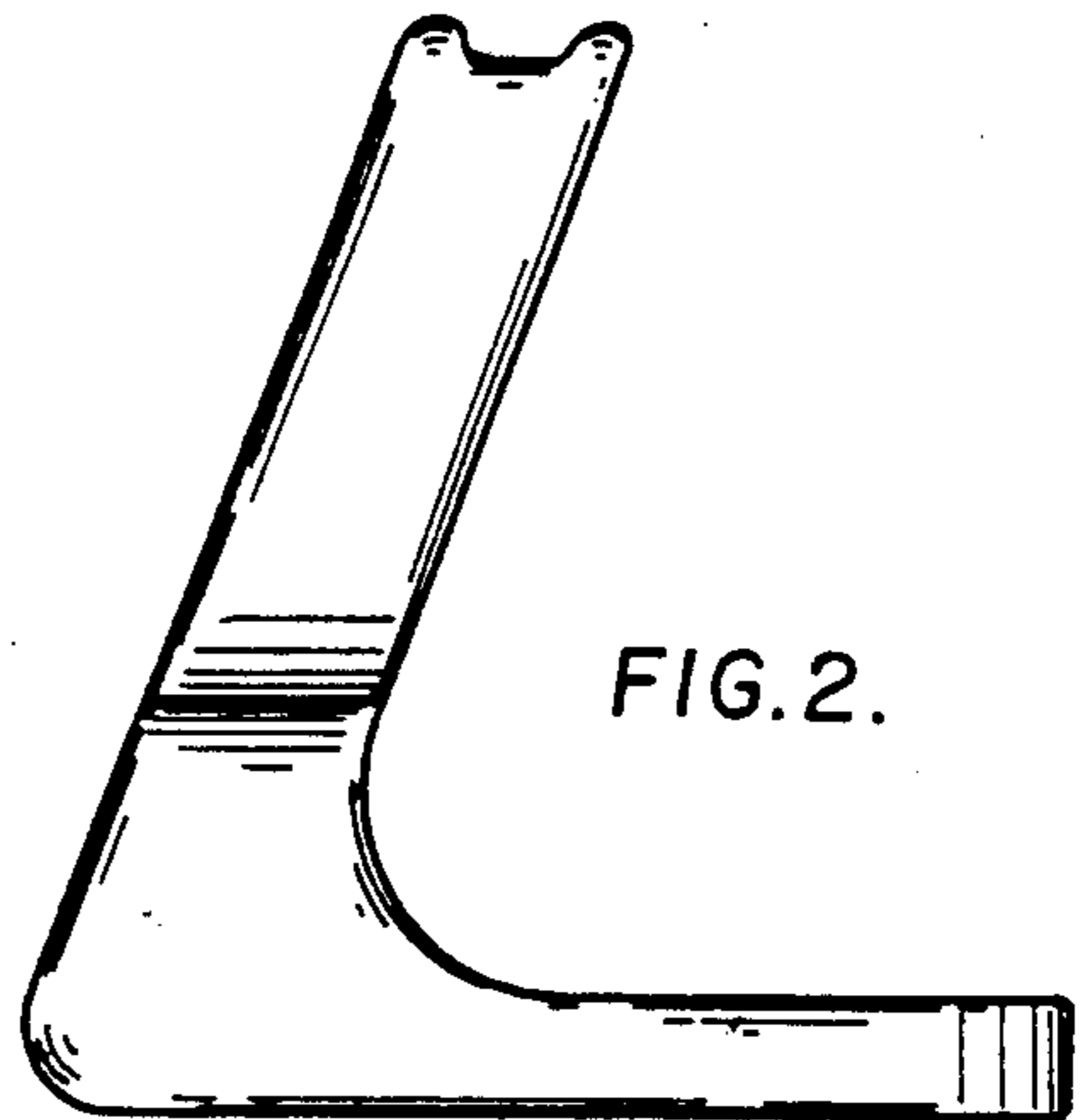
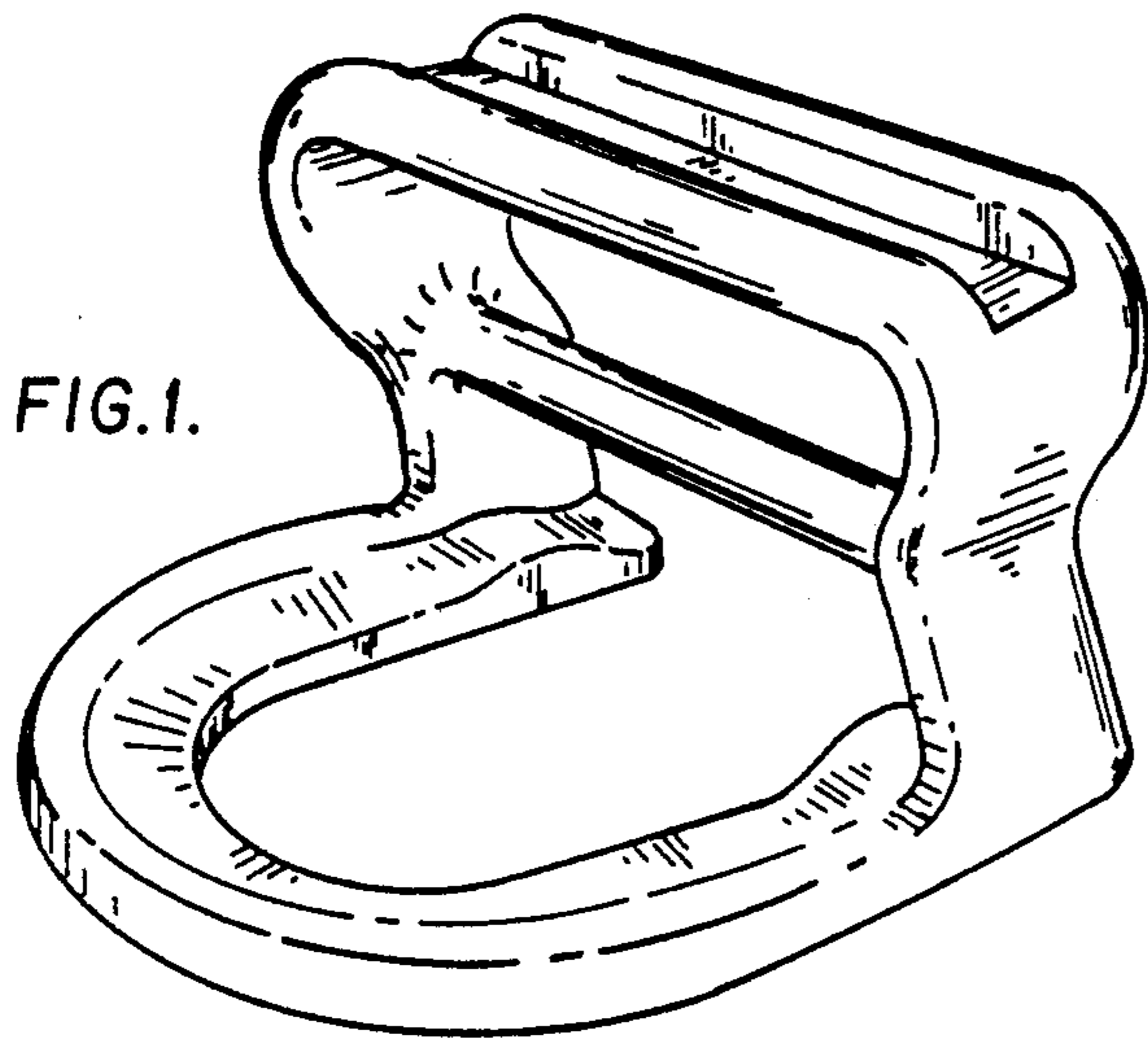


FIG. 3.

FIG. 4.

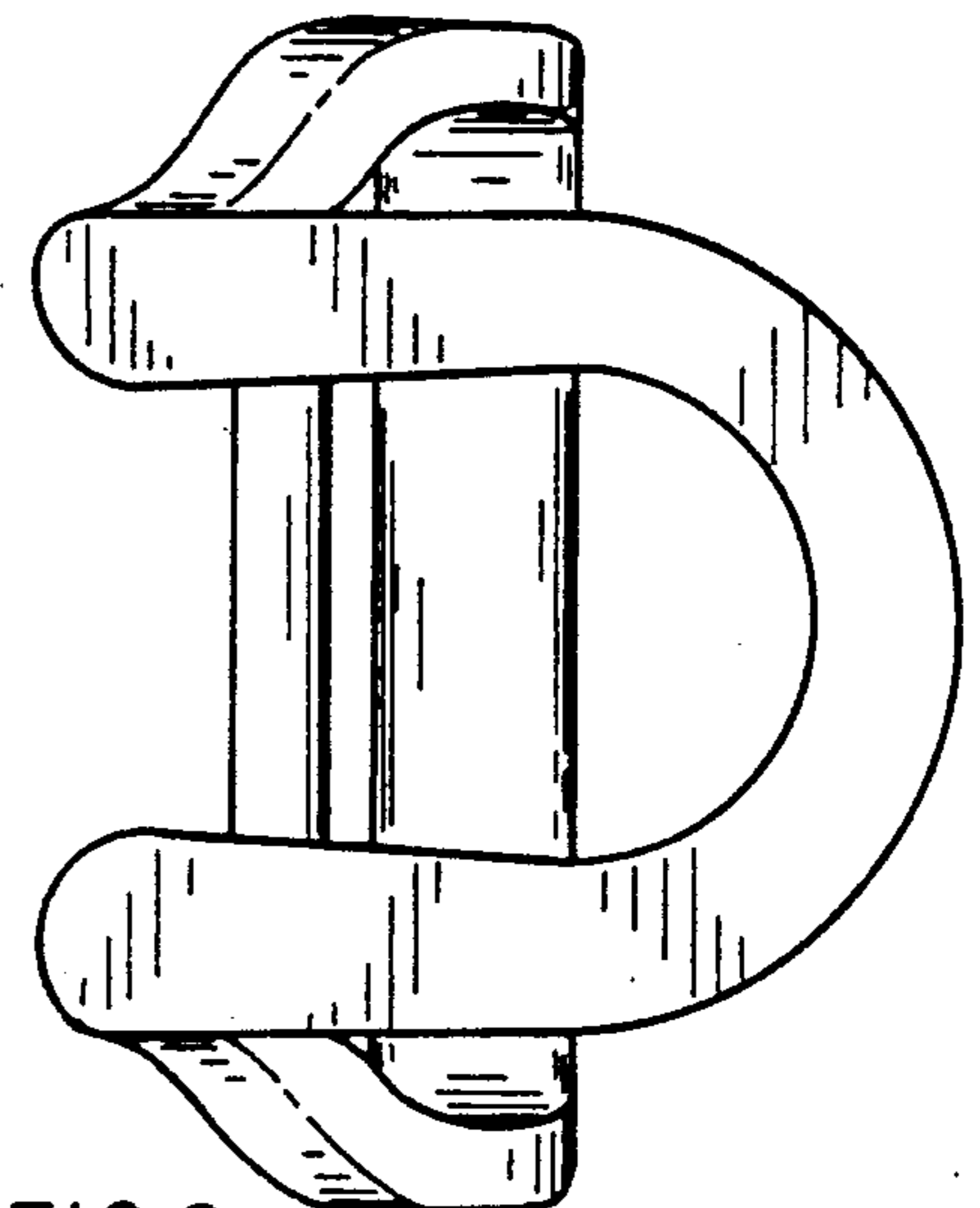
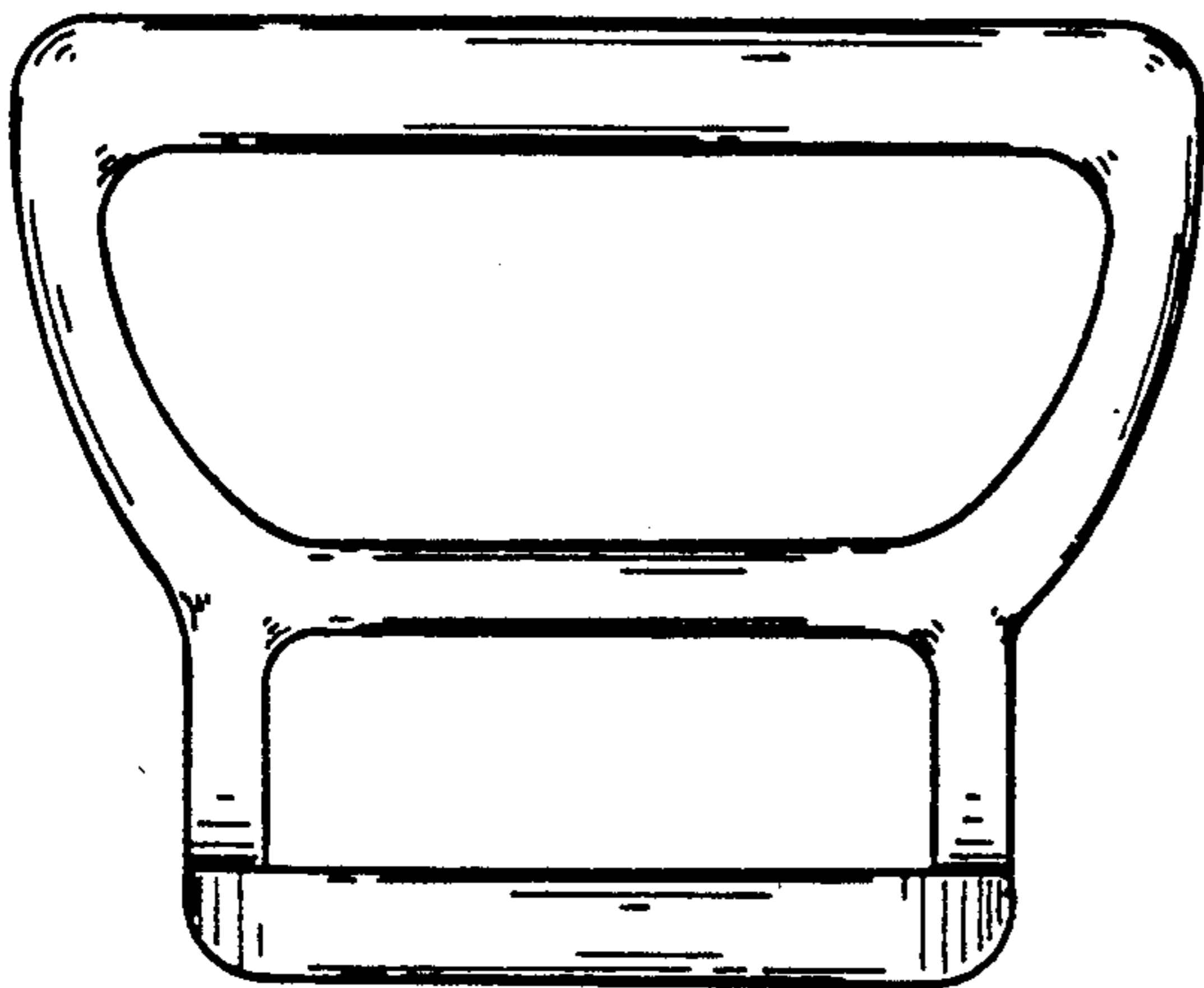


FIG. 5.

FIG. 6.