

United States Patent [19]

Grey

[11] Patent Number: **Des. 317,837**

[45] Date of Patent: **** Jul. 2, 1991**

[54] **BUTCHER BLOCK TABLE WITH STORAGE**

[75] Inventor: **Jonathan Grey, Midhurst, England**

[73] Assignee: **Smallbone PLC, Berkshire, England**

[**] Term: **14 Years**

[21] Appl. No.: **134,529**

[22] Filed: **Dec. 18, 1987**

[30] **Foreign Application Priority Data**

Jun. 19, 1987 [GB] United Kingdom 1042970

[52] U.S. Cl. **D6/436**

[58] Field of Search D6/429, 335, 336, 338,
D6/397, 477, 480, 484, 487, 422, 436

[56] **References Cited**

U.S. PATENT DOCUMENTS

D. 82,622 11/1930 Pauli D6/436
D. 182,911 5/1958 Lubberts et al. D6/480 X
D. 244,113 4/1977 Friedman D6/477

D. 249,860 10/1978 Ungaro D6/436 X
D. 250,234 11/1978 Ungaro D6/436

OTHER PUBLICATIONS

Drexel Catalog, Francesca, II., ©1977, p. 26, end table in tower right.

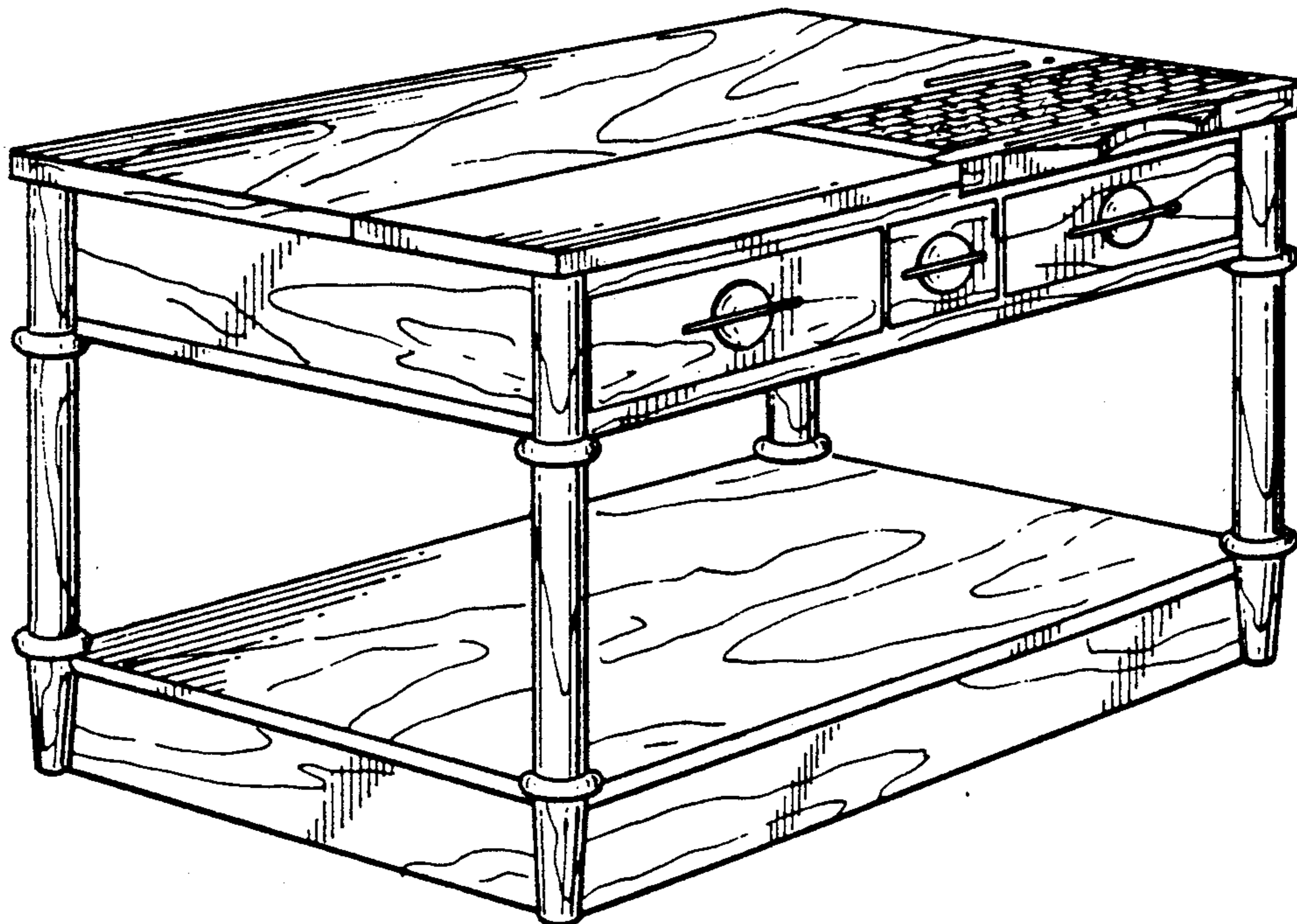
Primary Examiner—Bruce W. Dunkins
Assistant Examiner—Janice E. Seeger
Attorney, Agent, or Firm—Darby & Darby

[57] **CLAIM**

The ornamental design for a butcher block table with storage, as shown.

DESCRIPTION

FIG. 1 is a front elevational view of a butcher block table with storage, showing my new design;
FIG. 2 is a top plan view thereof;
FIG. 3 is a left end elevational view thereof;
FIG. 4 is a front left perspective view thereof;
FIG. 5 is a right side elevational view thereof; and
FIG. 6 is a rear elevational view thereof.



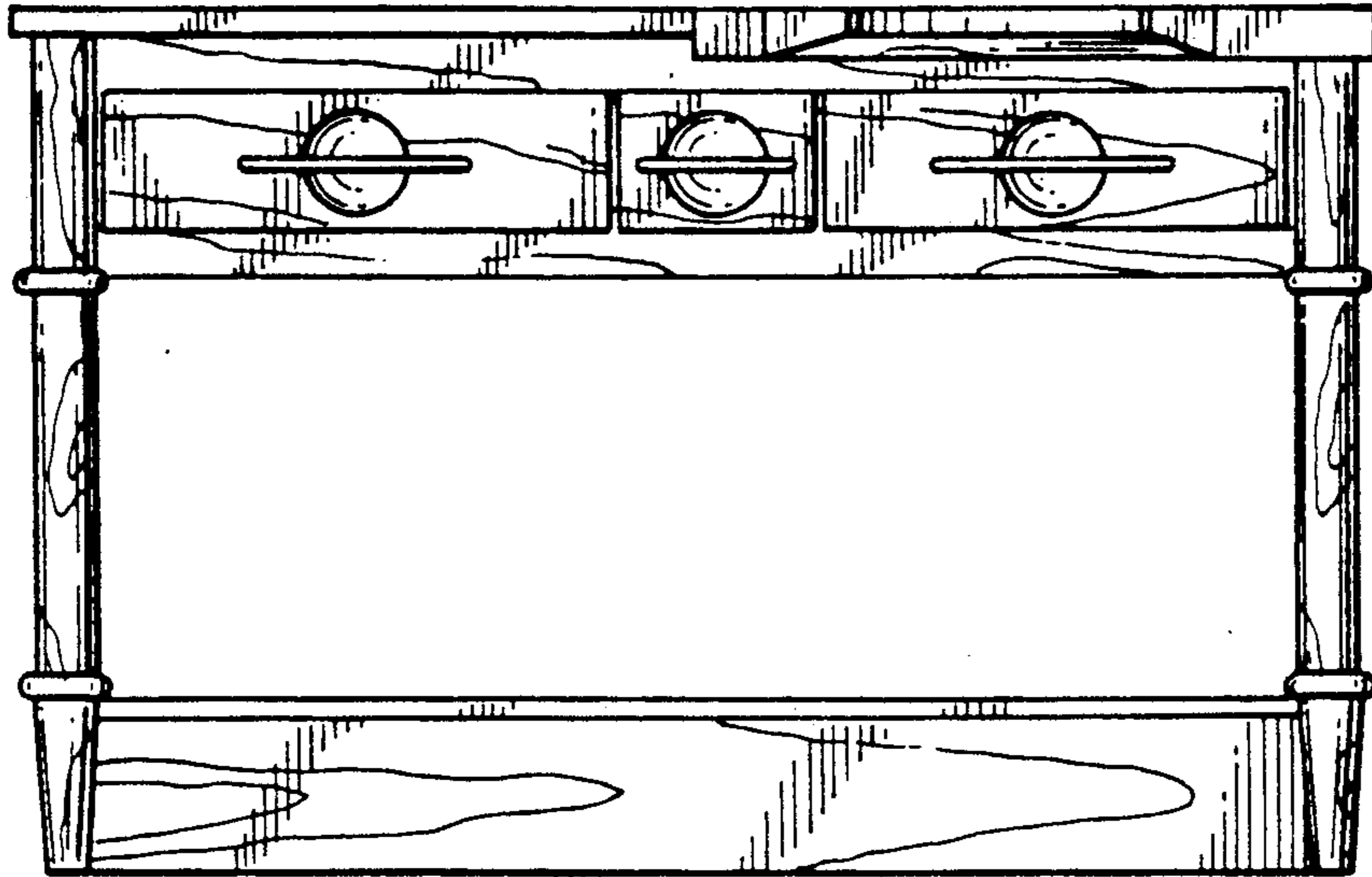


FIG. 1

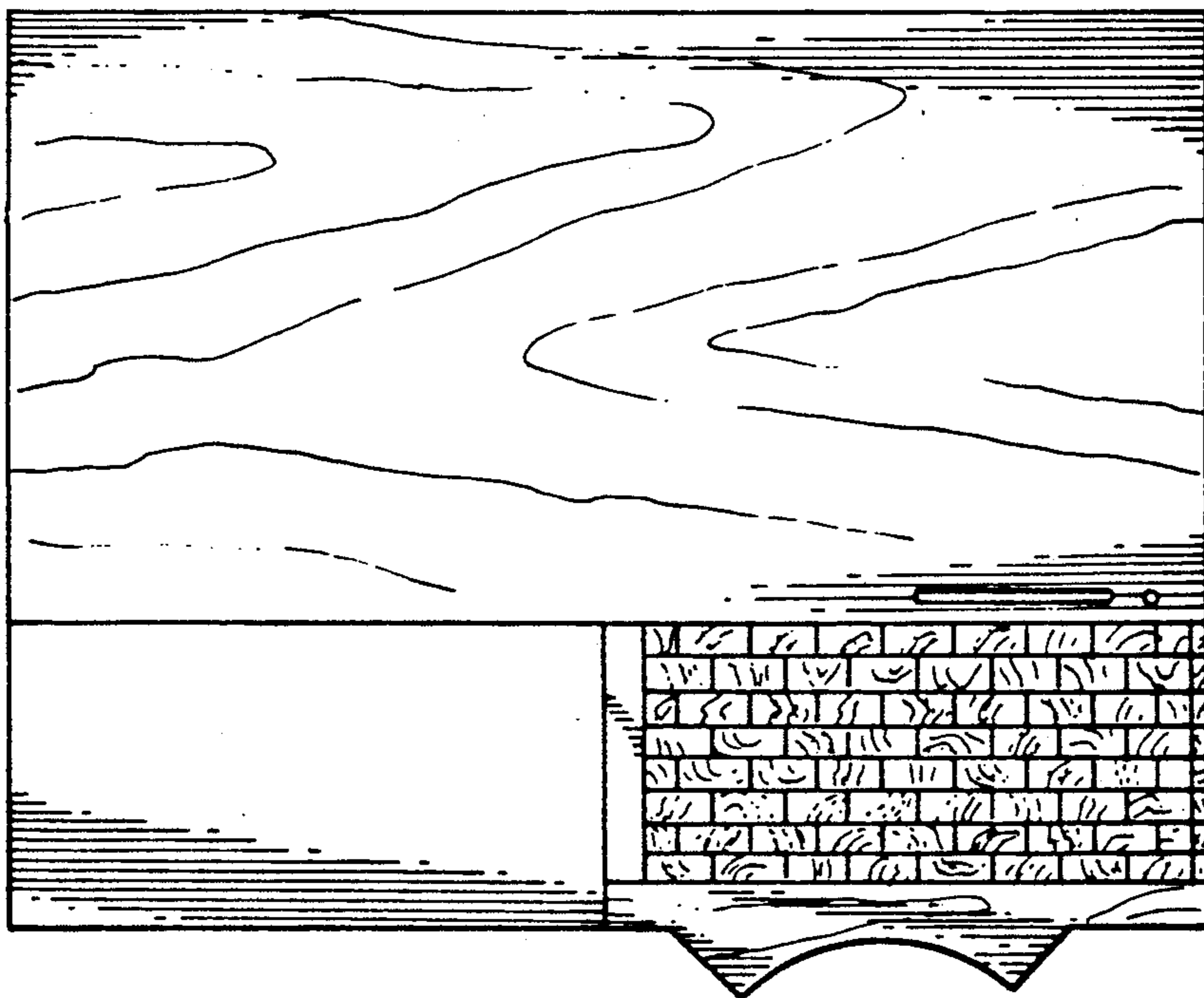


FIG. 2

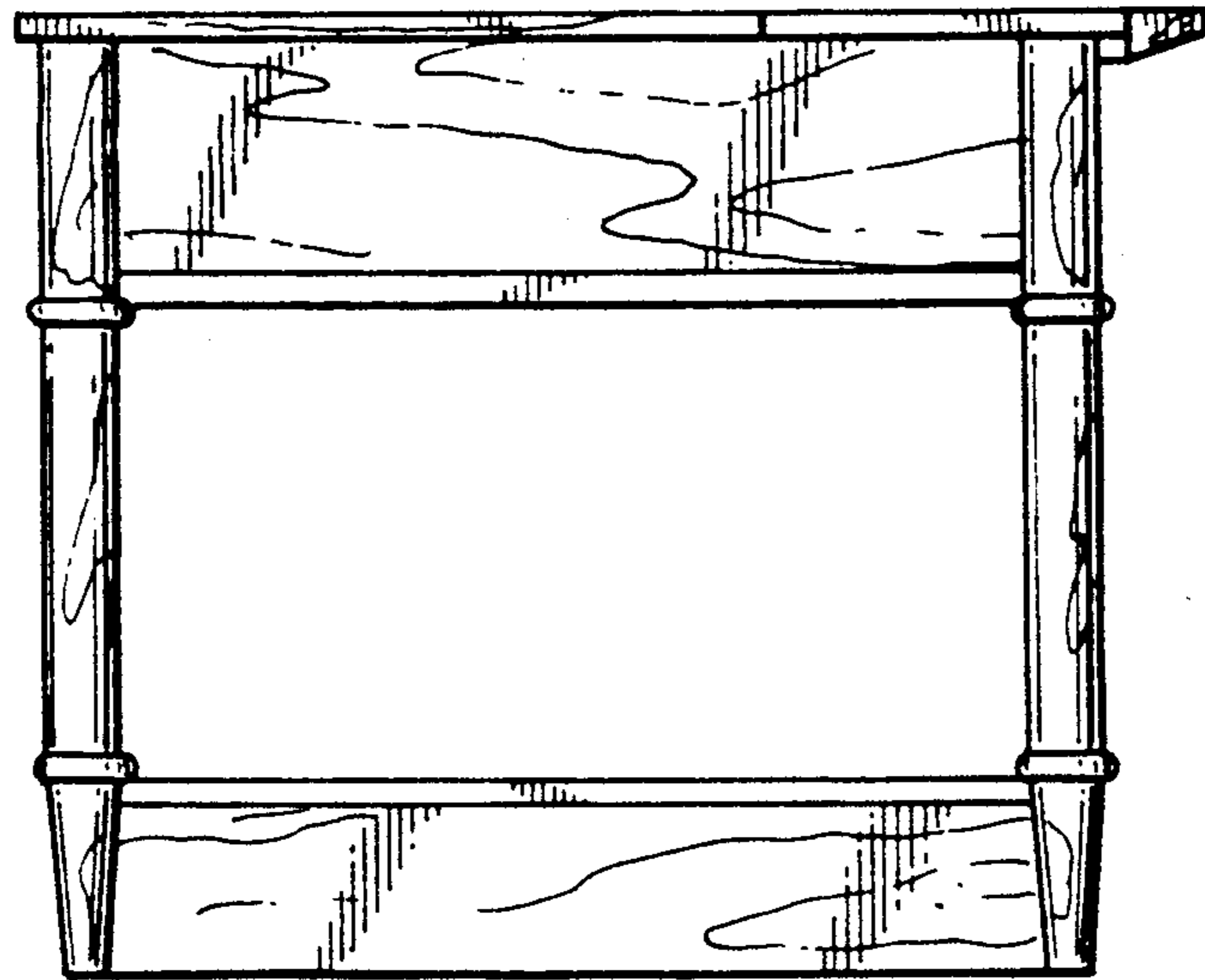


FIG. 3

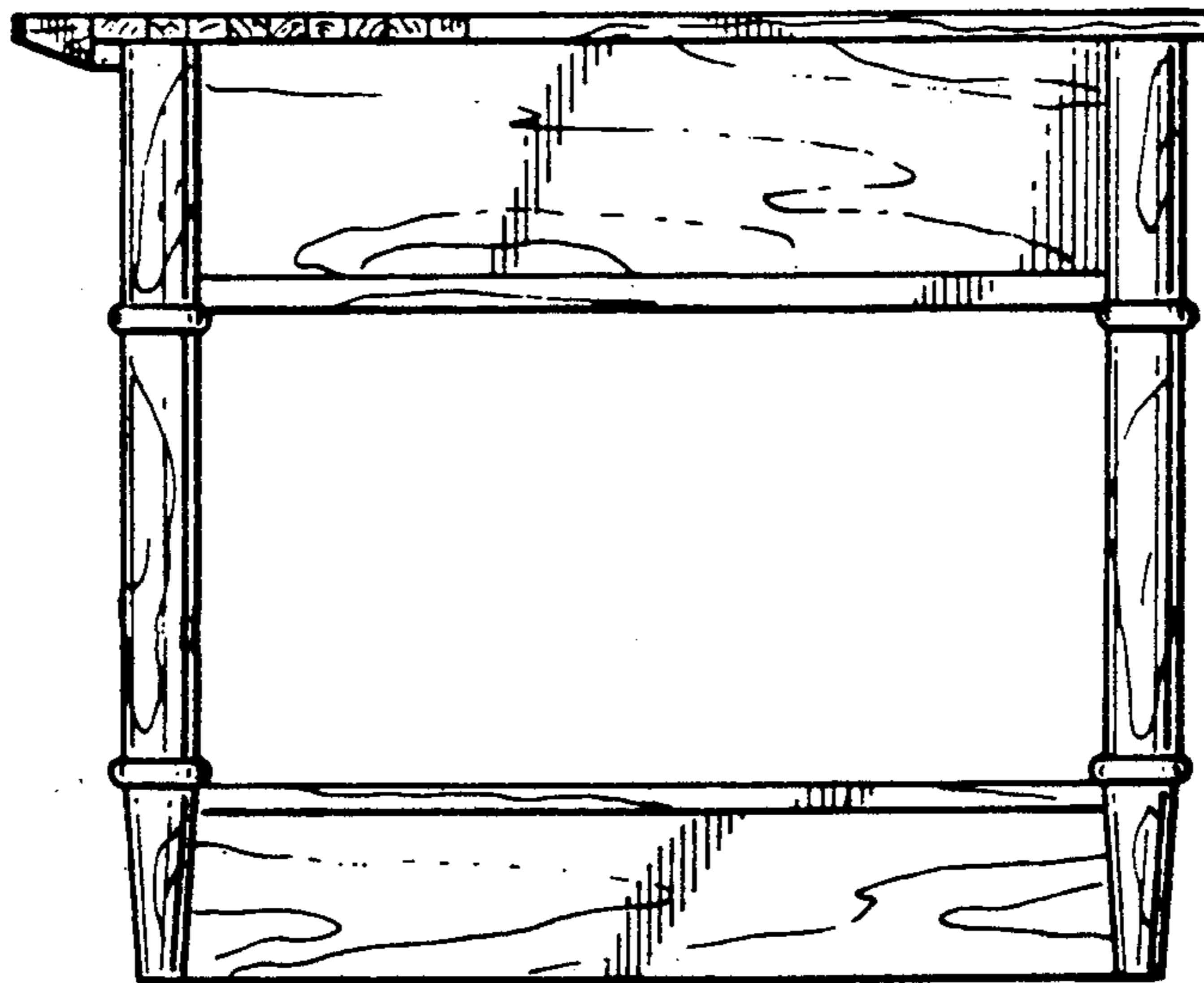


FIG. 5

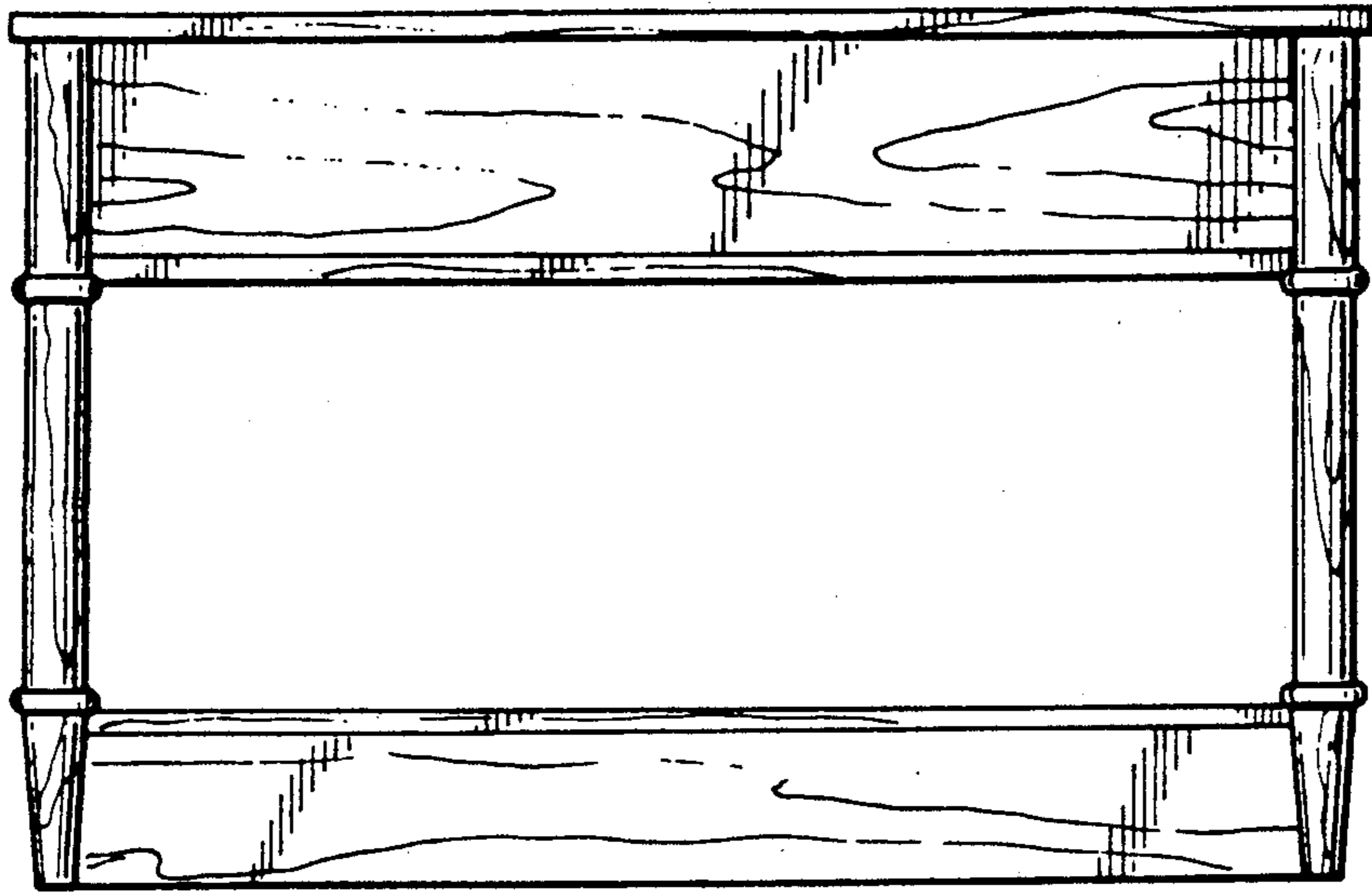


FIG. 6

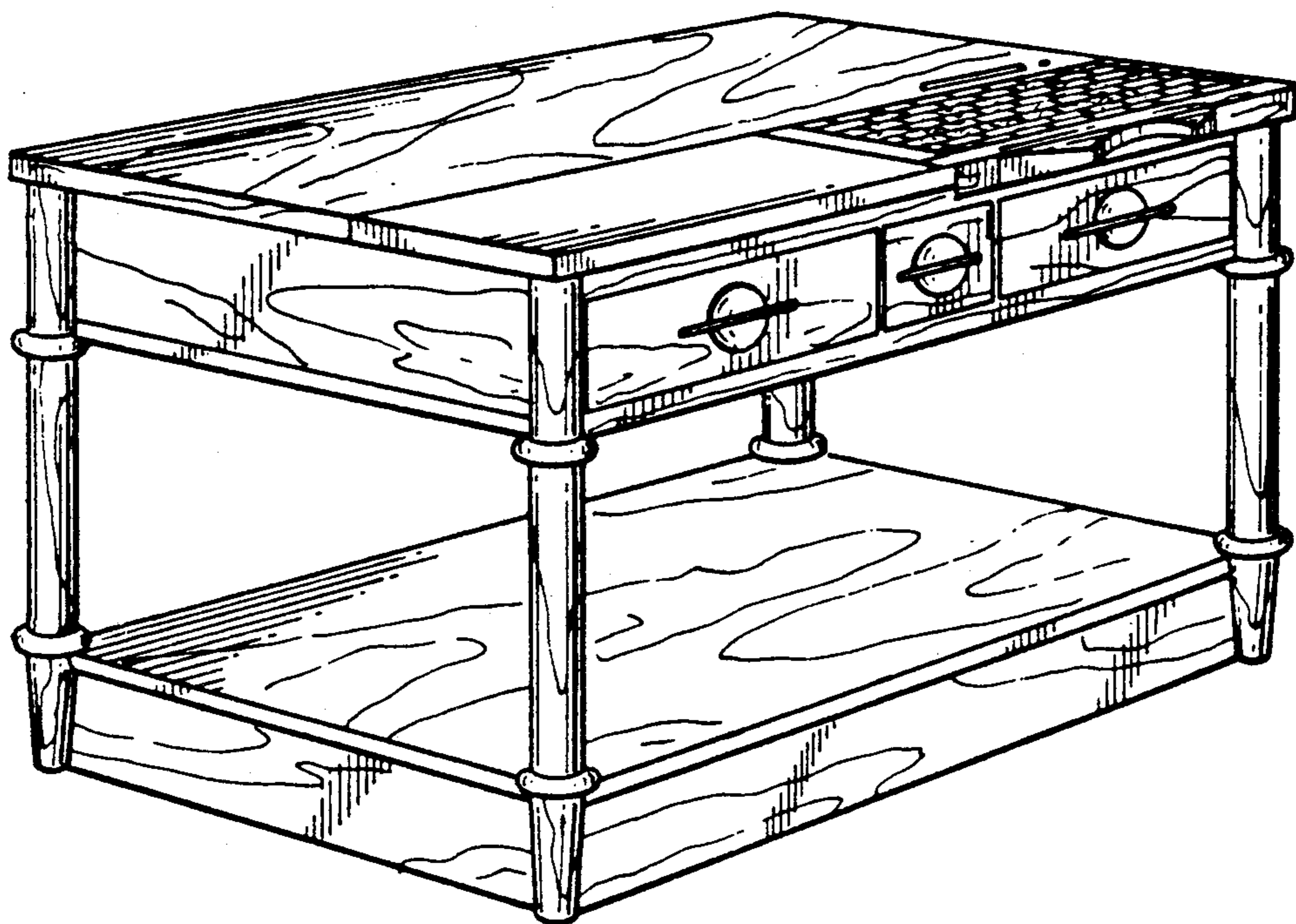


FIG. 4