

[54] SHOE AND BOOT ORGANIZER

[76] Inventor: George R. Staton, 3291 Solaridge, Las Cruces, N. Mex. 88001

[\*\*] Term: 14 Years

[21] Appl. No.: 179,138

[22] Filed: Apr. 8, 1988

[52] U.S. Cl. .... D6/415

[58] Field of Search ..... D6/411-415, D6/457, 458, 473, 462, 396, 397; 211/13, 34-38

[56] References Cited

U.S. PATENT DOCUMENTS

D. 49,624	9/1916	Rought	.....	D6/413
D. 80,453	2/1930	Pheri	.....	D6/413
D. 285,266	8/1986	Bowsher	.....	D6/412
D. 313,130	12/1990	Staton	.....	D6/414
1,157,483	10/1915	Whelan	.....	211/34 X
2,152,192	3/1939	Hoffman	.....	211/34
2,299,021	10/1942	Hoffman	.....	211/34

3,552,576	1/1971	Lahr	.....	211/36
3,888,353	6/1975	Leifheit	.....	211/37
4,611,717	9/1986	Hutson	.....	211/34

FOREIGN PATENT DOCUMENTS

608312	7/1926	France	.....	211/34
--------	--------	--------	-------	--------

Primary Examiner—Carmen H. Vales-Lado  
Attorney, Agent, or Firm—Richard L. Miller

[57] CLAIM

The ornamental design for a shoe and boot organizer, as shown and described.

DESCRIPTION

FIG. 1 is a top plan view of a shoe and boot organizer showing my new design;  
FIG. 2 is a left side elevational view, the right side elevational view being a mirror image thereof;  
FIG. 3 is a front elevational view thereof;  
FIG. 4 is a bottom plan view thereof;  
FIG. 5 is a perspective view thereof; and  
FIG. 6 is a rear elevational view thereof.

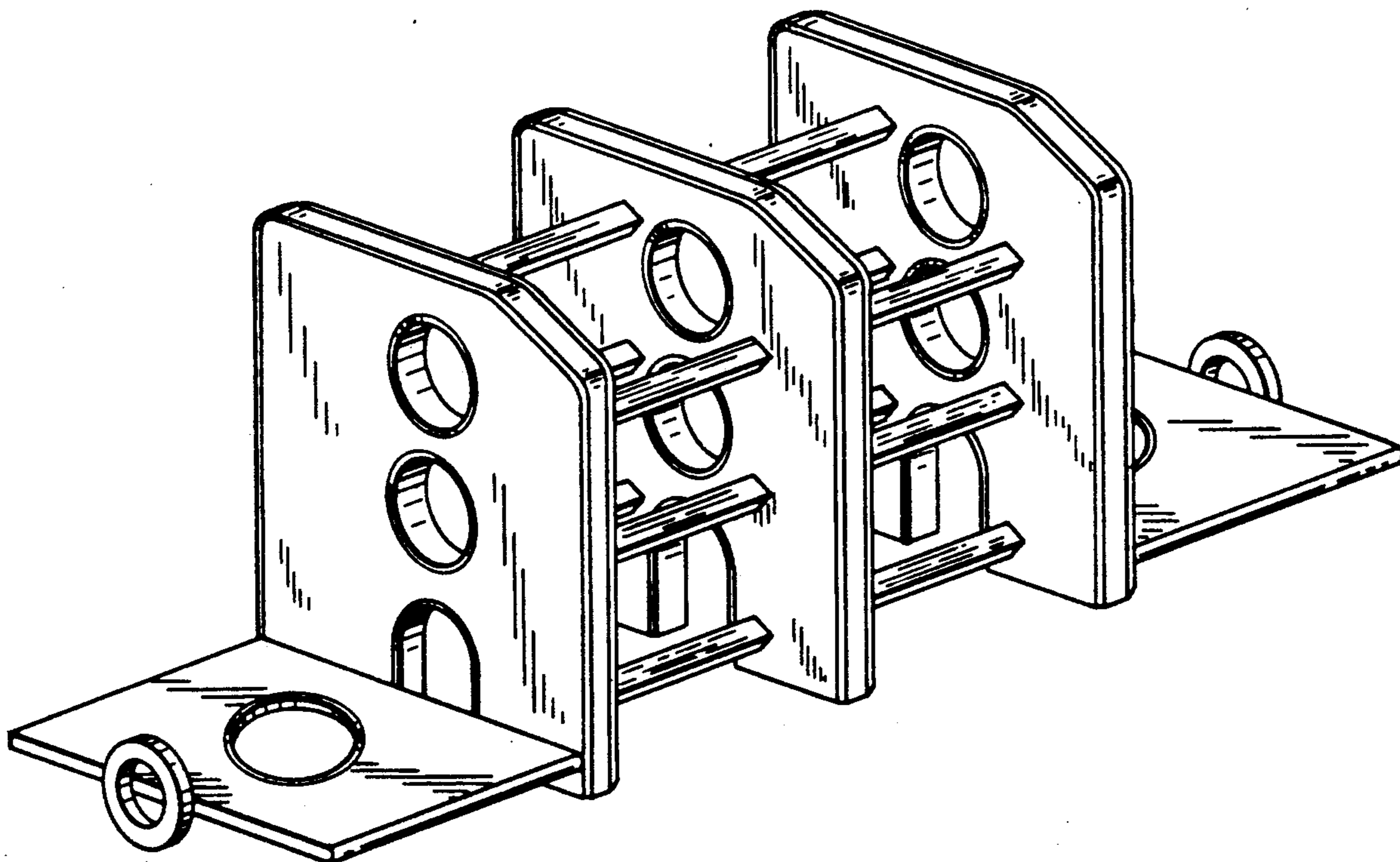


FIG. 1

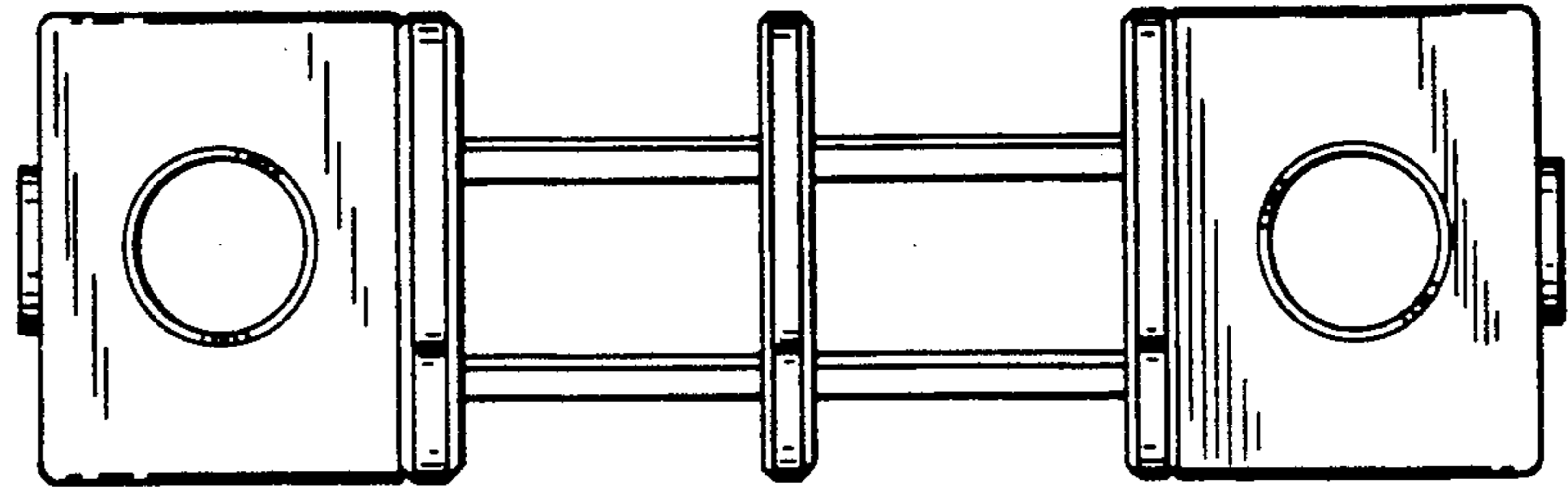


FIG. 2

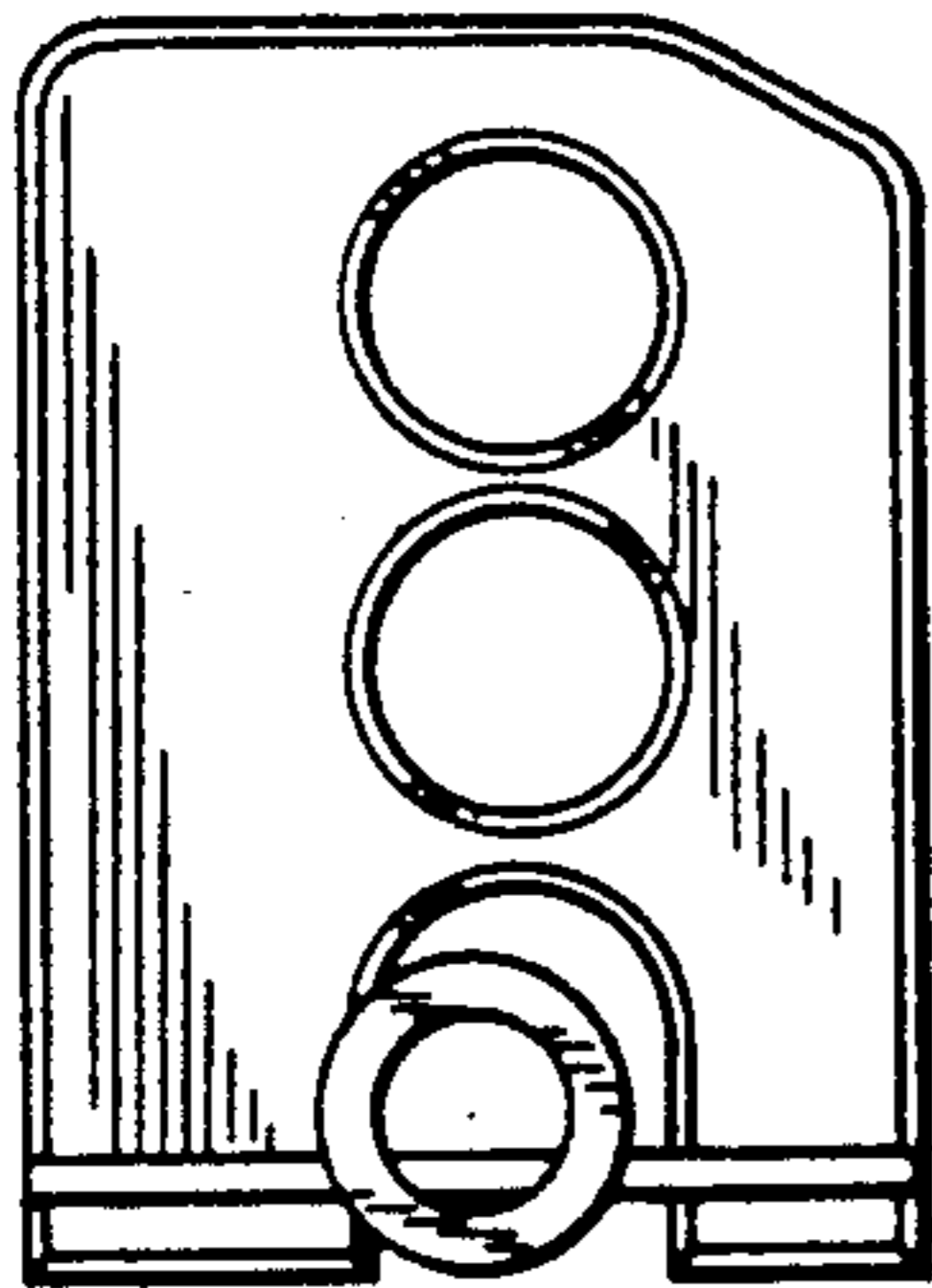


FIG. 3

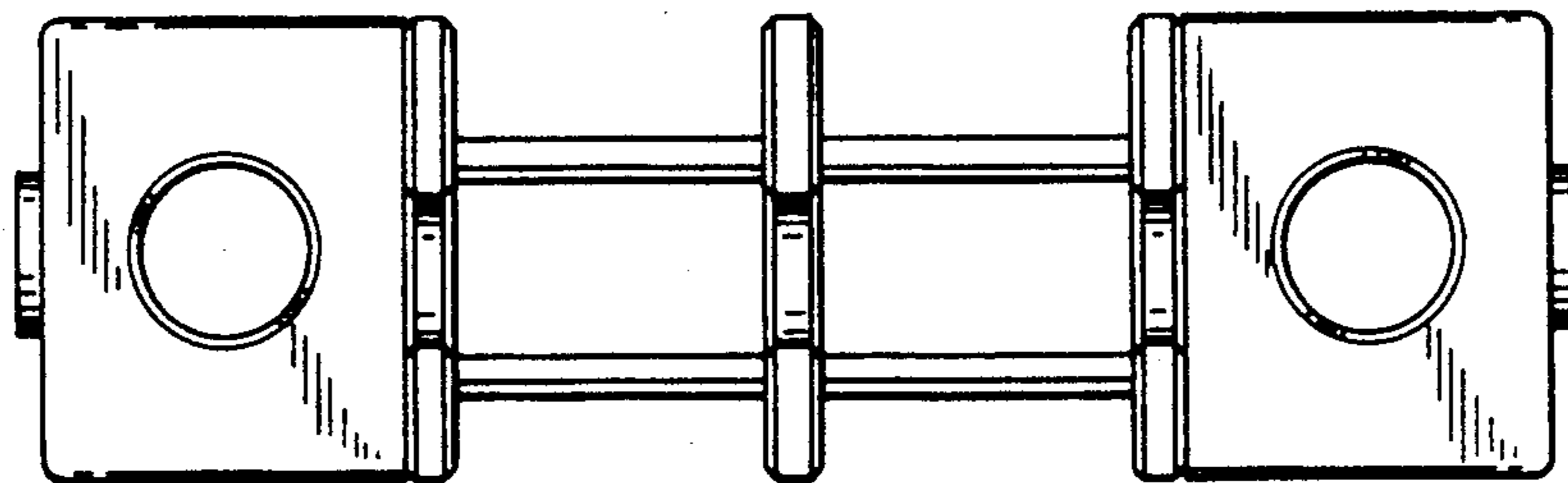
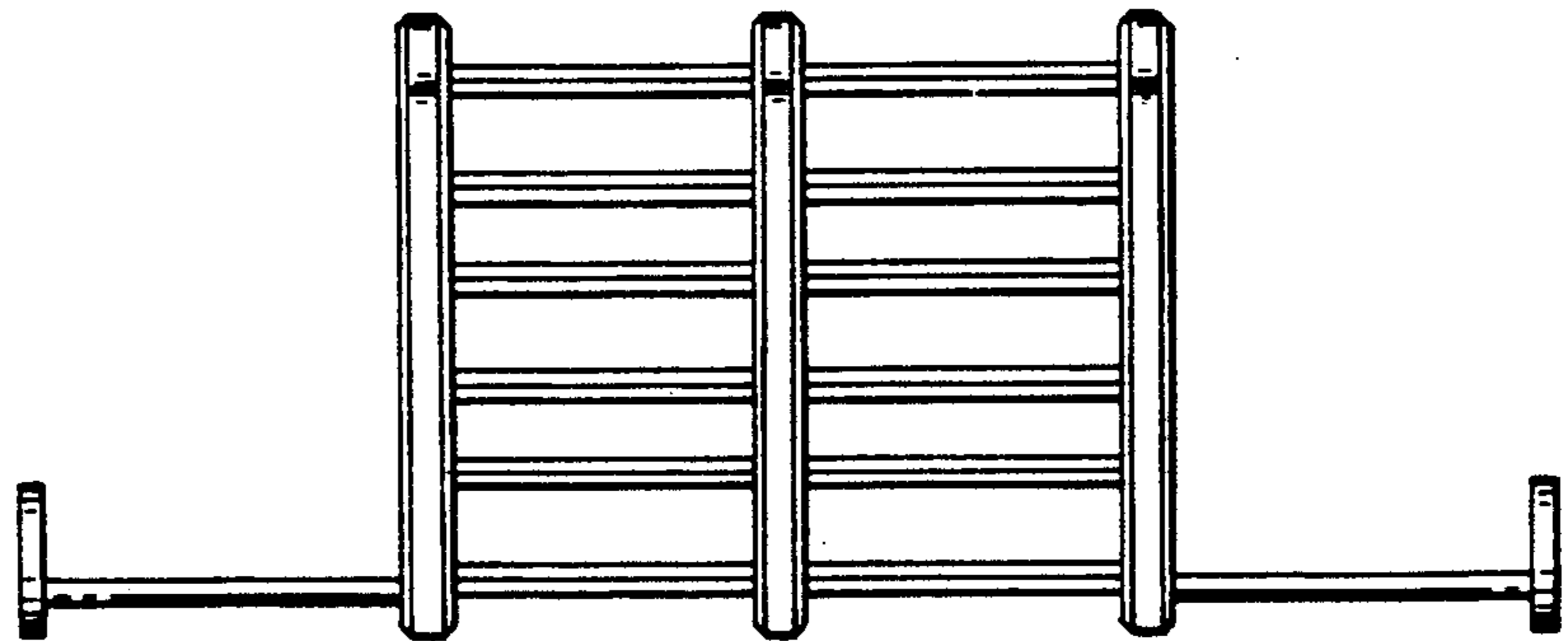


FIG. 4

FIG. 5

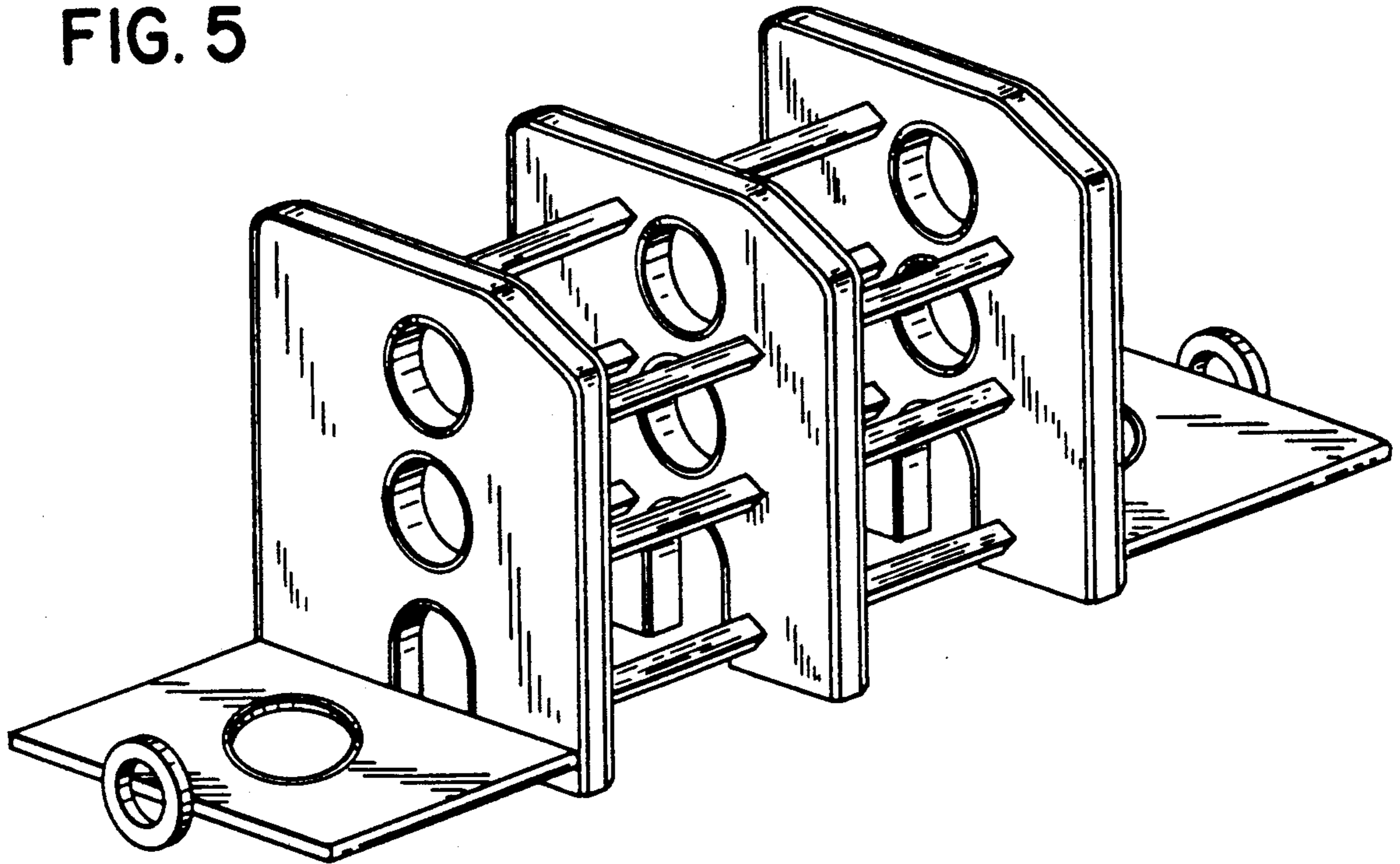


FIG. 6

