

[54] TONGUE DEPRESSOR

[75] Inventor: Juuro Aoyagi, Tokyo, Japan

[73] Assignee: Tokyo Bi-Tech Laboratories, Inc., Tokyo, Japan

[**] Term: 14 Years

[21] Appl. No.: 236,631

[22] Filed: Aug. 25, 1988

[30] Foreign Application Priority Data

Feb. 26, 1988	[JP]	Japan	63-7813
Feb. 26, 1988	[JP]	Japan	63-7814
Mar. 8, 1988	[JP]	Japan	63-9447
Mar. 8, 1988	[JP]	Japan	63-9448

[52] U.S. Cl. D24/136

[58] Field of Search D24/19; 128/15, 16, 128/17, 18, 19

[56] References Cited

U.S. PATENT DOCUMENTS

D. 199,946	12/1964	Hill	D24/19
D. 274,260	6/1984	Wiedel	D24/19
2,690,745	10/1954	Govan	D24/19 X
2,723,661	11/1955	Hull	128/15
3,154,069	10/1964	Ring	128/15

FOREIGN PATENT DOCUMENTS

2302614 7/1974 Fed. Rep. of Germany 128/15

OTHER PUBLICATIONS

V. Muller & Co. catalog, ©1938, Tongue Depressors, item #-A6725, p. 120.

Primary Examiner—Stella Reid

Attorney, Agent, or Firm—Mathews, Woodbridge & Collins

[57] CLAIM

The ornamental design for a tongue depressor, as shown and described.

DESCRIPTION

FIG. 1 is a perspective view of a tongue depressor, showing my new design;
 FIG. 2 is a front elevational view thereof;
 FIG. 3 is a rear elevational view thereof;
 FIG. 4 is a left side elevational view thereof;
 FIG. 5 is a right side elevational view thereof;
 FIG. 6 is a top plan view thereof, the bottom plan view being identical;
 FIG. 7 is a perspective view of a second embodiment of the tongue depressor;
 FIG. 8 is a front elevational view thereof;
 FIG. 9 is a rear elevational view thereof;
 FIG. 10 is a left side elevational view thereof;
 FIG. 11 is a right side elevational view thereof;
 FIG. 12 is a top plan view thereof, the bottom plan view being identical;
 FIG. 13 is a perspective view of a third embodiment of the tongue depressor,
 FIG. 14 is a front elevational view thereof;
 FIG. 15 is a rear elevational view thereof;
 FIG. 16 is a left side elevational thereof;
 FIG. 17 is a right side elevational view thereof;
 FIG. 18 is a top plan view thereof, the bottom plan view being identical;
 FIG. 19 is a perspective view of a fourth embodiment of the tongue depressor;
 FIG. 20 is a front elevational view thereof;
 FIG. 21 is a rear elevational view thereof;
 FIG. 22 is a left side elevational view thereof;
 FIG. 23 is a right side elevational view thereof; and
 FIG. 24 is a top plan view thereof, the bottom plan view being identical.

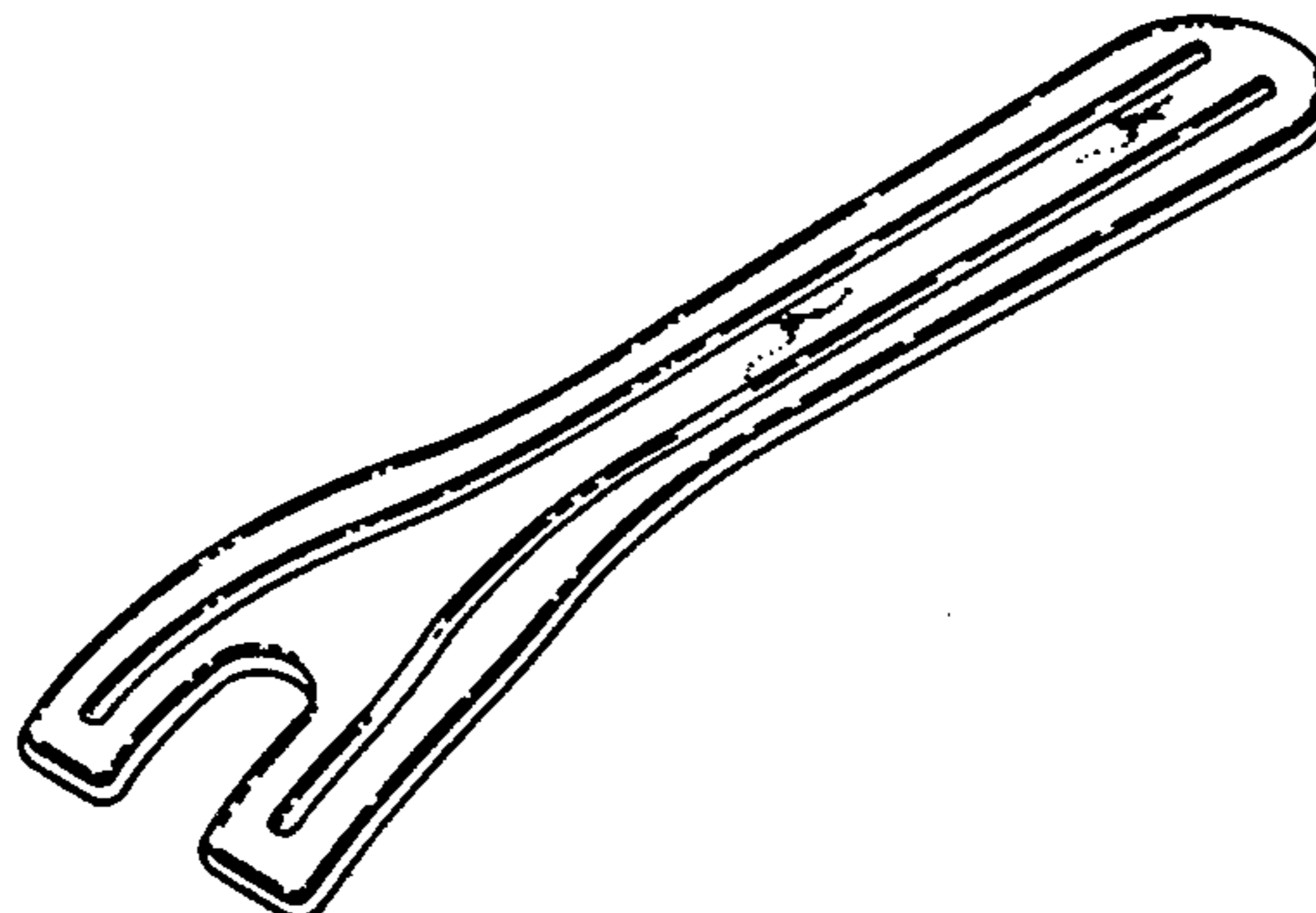
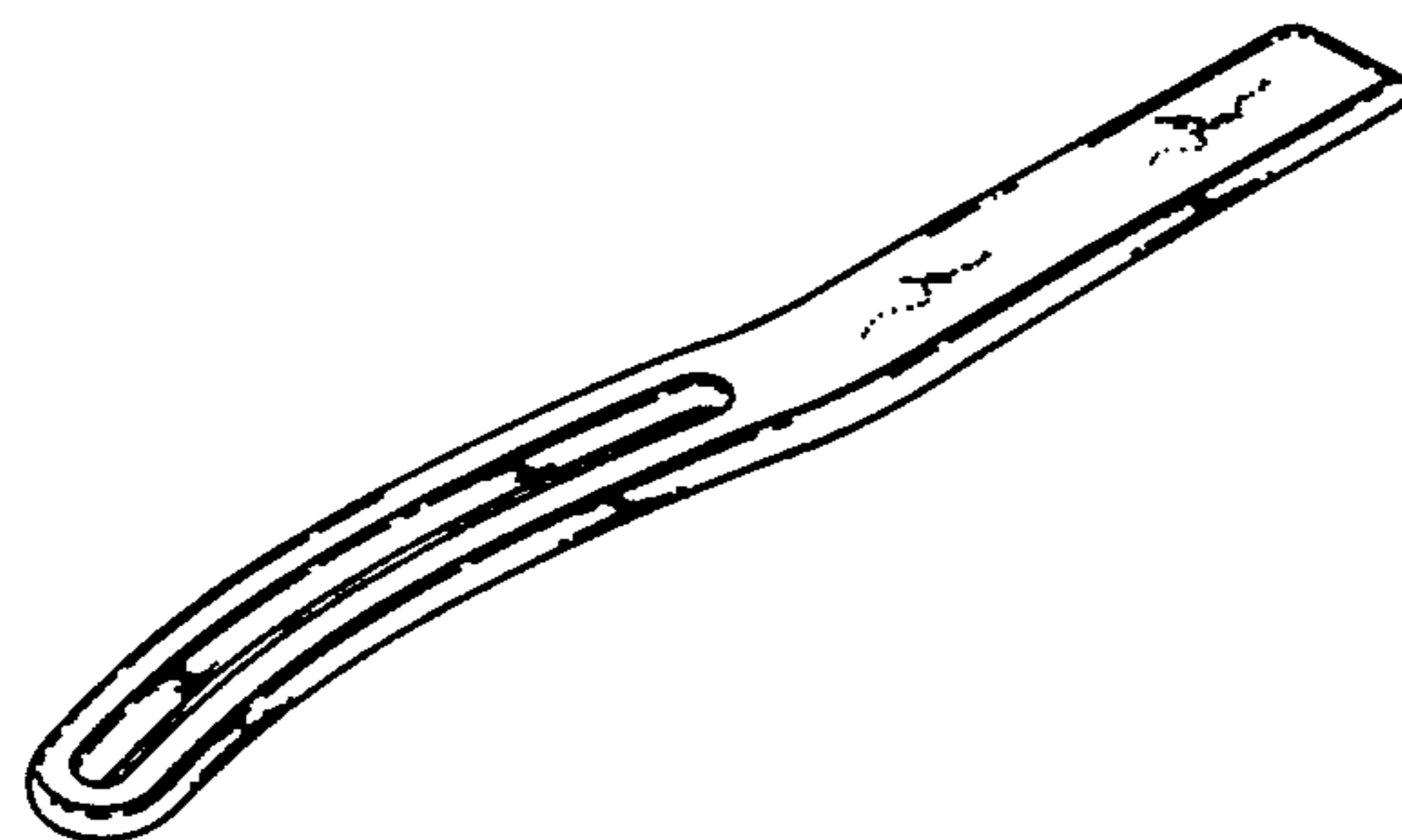


FIG. 1

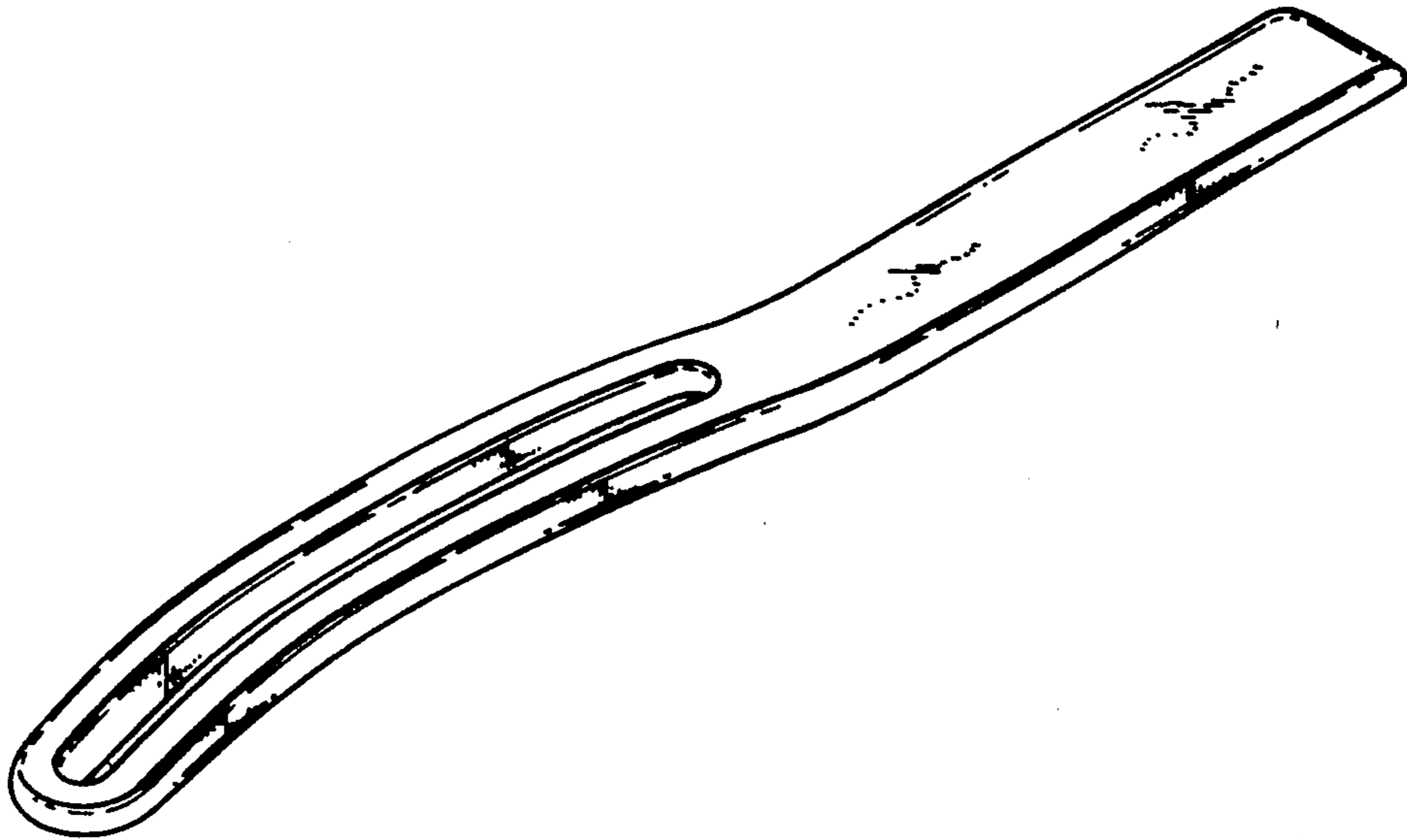


FIG. 2



FIG. 3

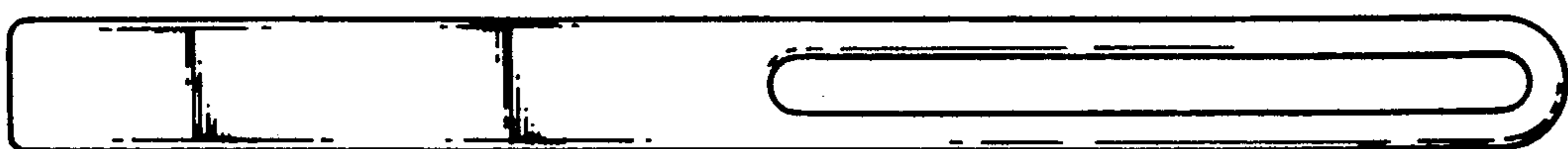


FIG.4



FIG.5



FIG.6



FIG.7

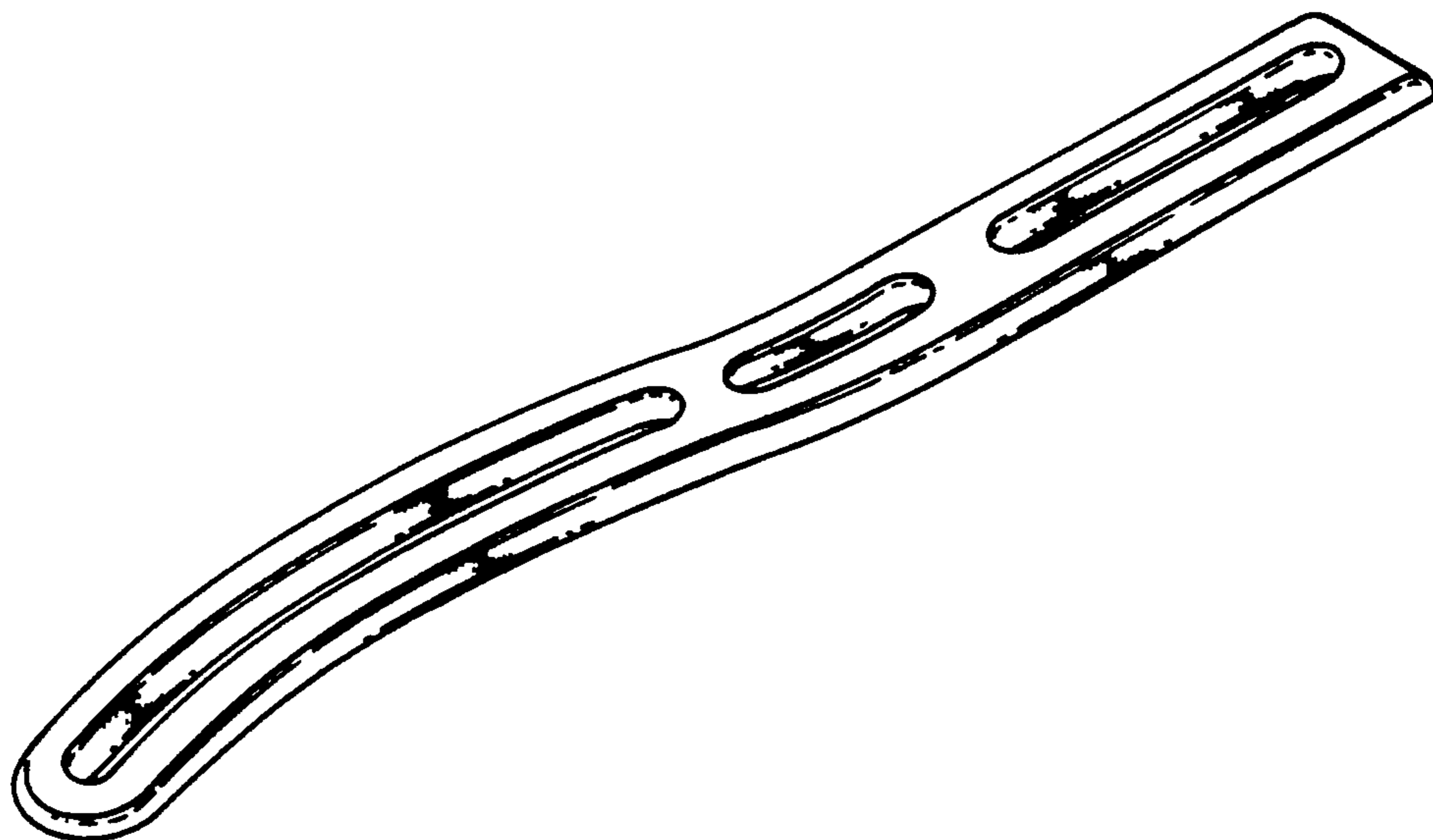


FIG.8



FIG.9



FIG.10



FIG.11



FIG.12



FIG.13

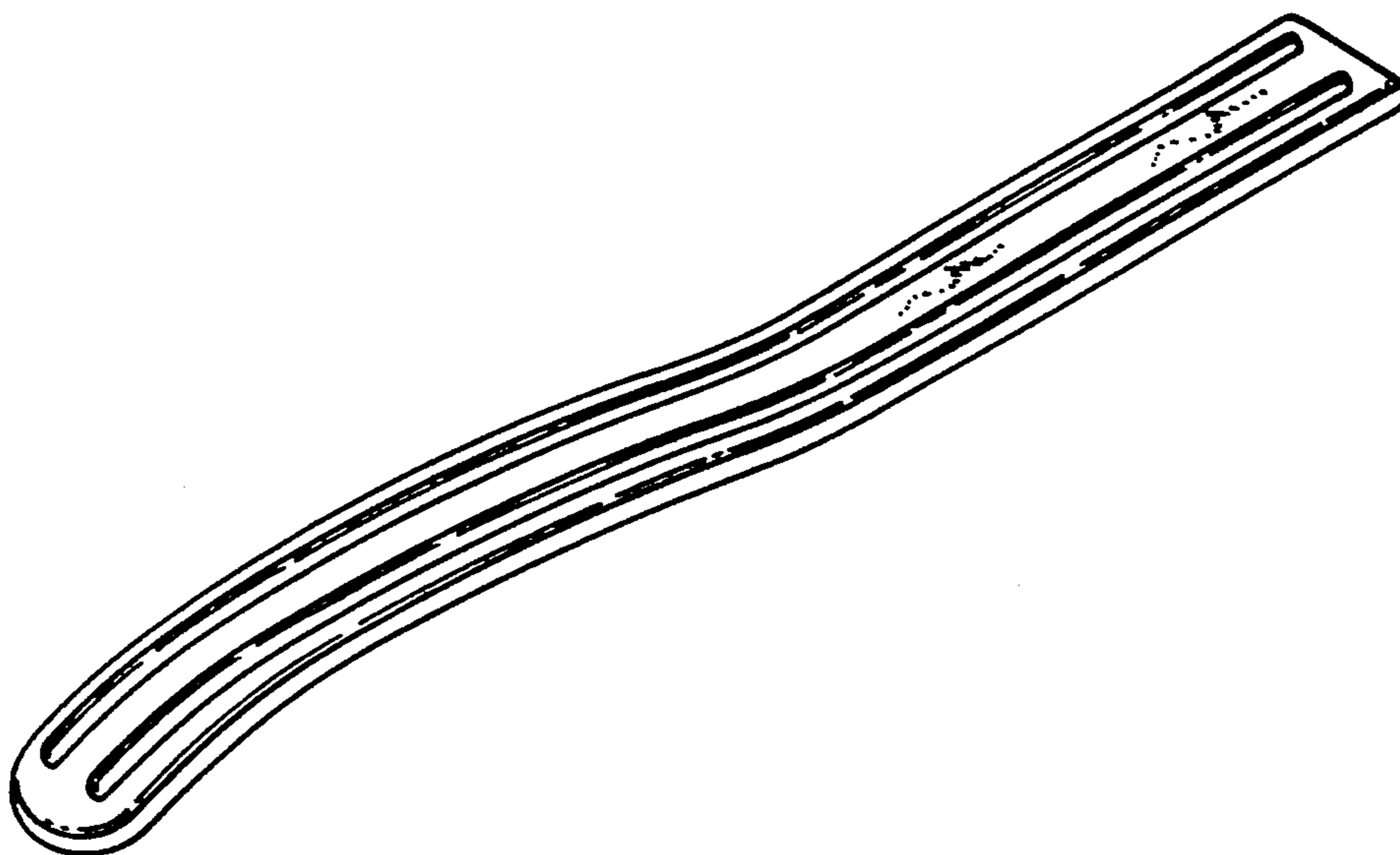


FIG.14

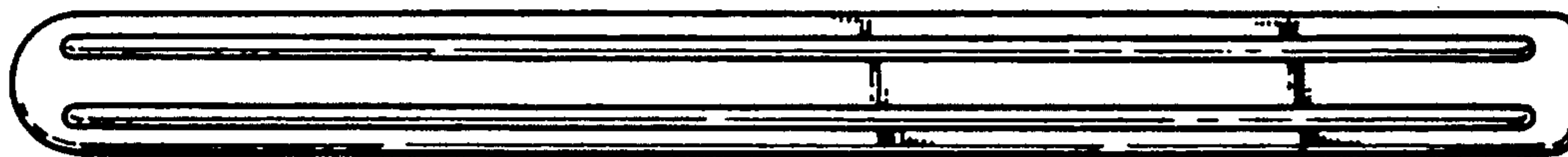


FIG.15



FIG.16



FIG.17



FIG.18



FIG.19

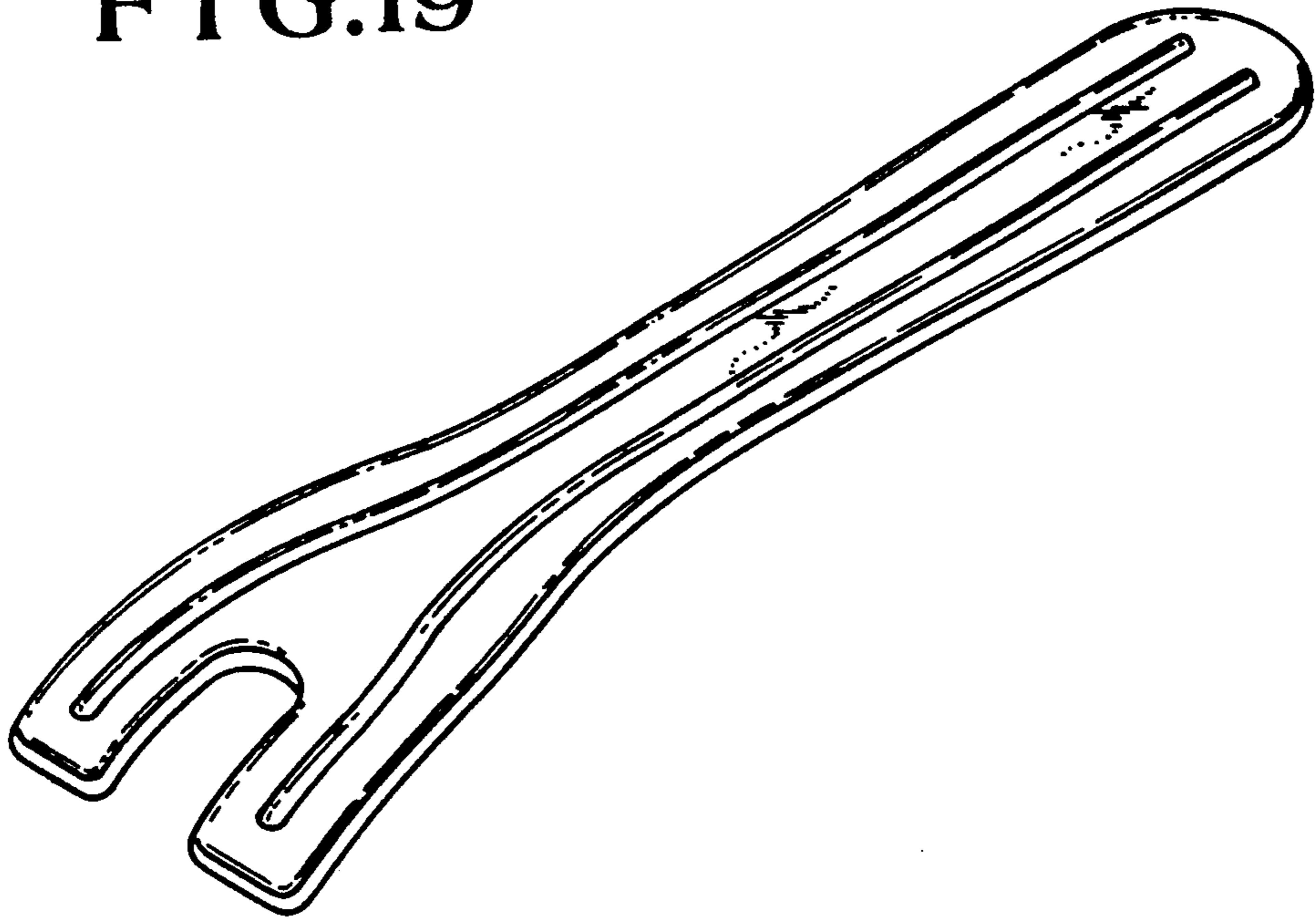


FIG.20

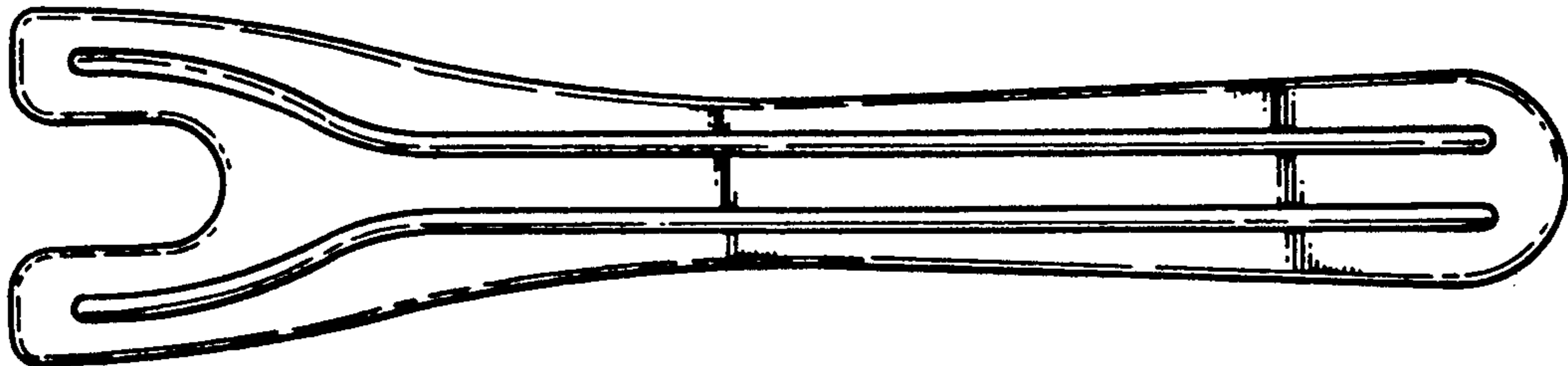


FIG.21

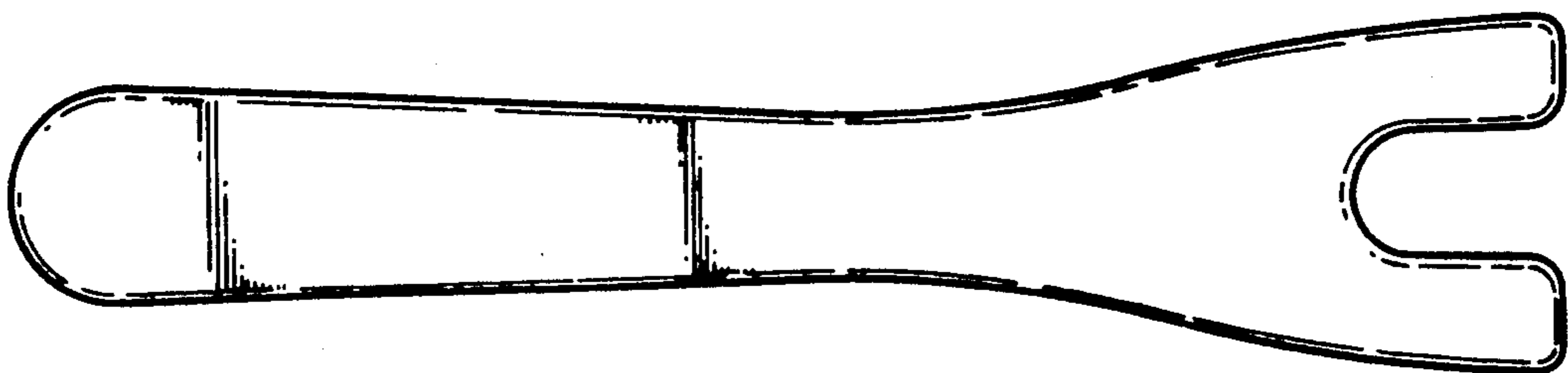


FIG.22



FIG.23



FIG.24

