

[54] **FIREPLACE INSERT SMOKE PIPE CONNECTOR**

[76] **Inventor: Thomas E. Buehler, 3010 18th Ave. W., Bradenton, Fla. 33505**

[\*\*] **Term: 14 Years**

[21] **Appl. No.: 311,200**

[22] **Filed: Feb. 16, 1989**

[52] **U.S. Cl. .... D23/403**

[58] **Field of Search ..... D23/403, 344; 126/312, 126/307 R**

[56] **References Cited**

**U.S. PATENT DOCUMENTS**

- D. 263,735 4/1982 Oskwarek ..... D23/403
- D. 300,655 4/1989 Buehler ..... D23/403
- D. 300,656 4/1989 Buehler ..... D23/403

**FOREIGN PATENT DOCUMENTS**

- 1291679 10/1972 United Kingdom ..... 126/307 R

*Primary Examiner*—James M. Gandy  
*Assistant Examiner*—Lisa Lichtenstein  
*Attorney, Agent, or Firm*—Charles S. McGuire

[57] **CLAIM**

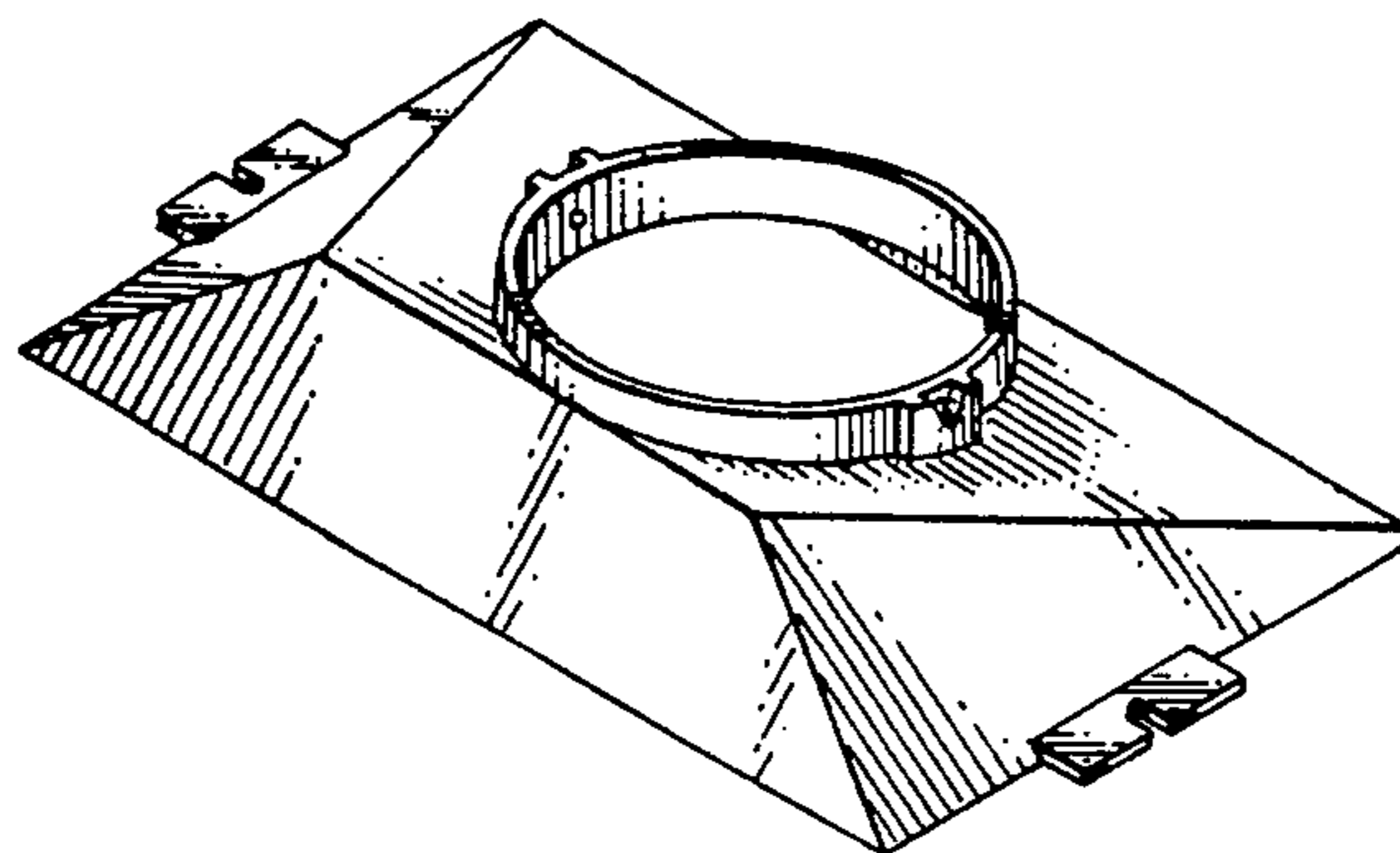
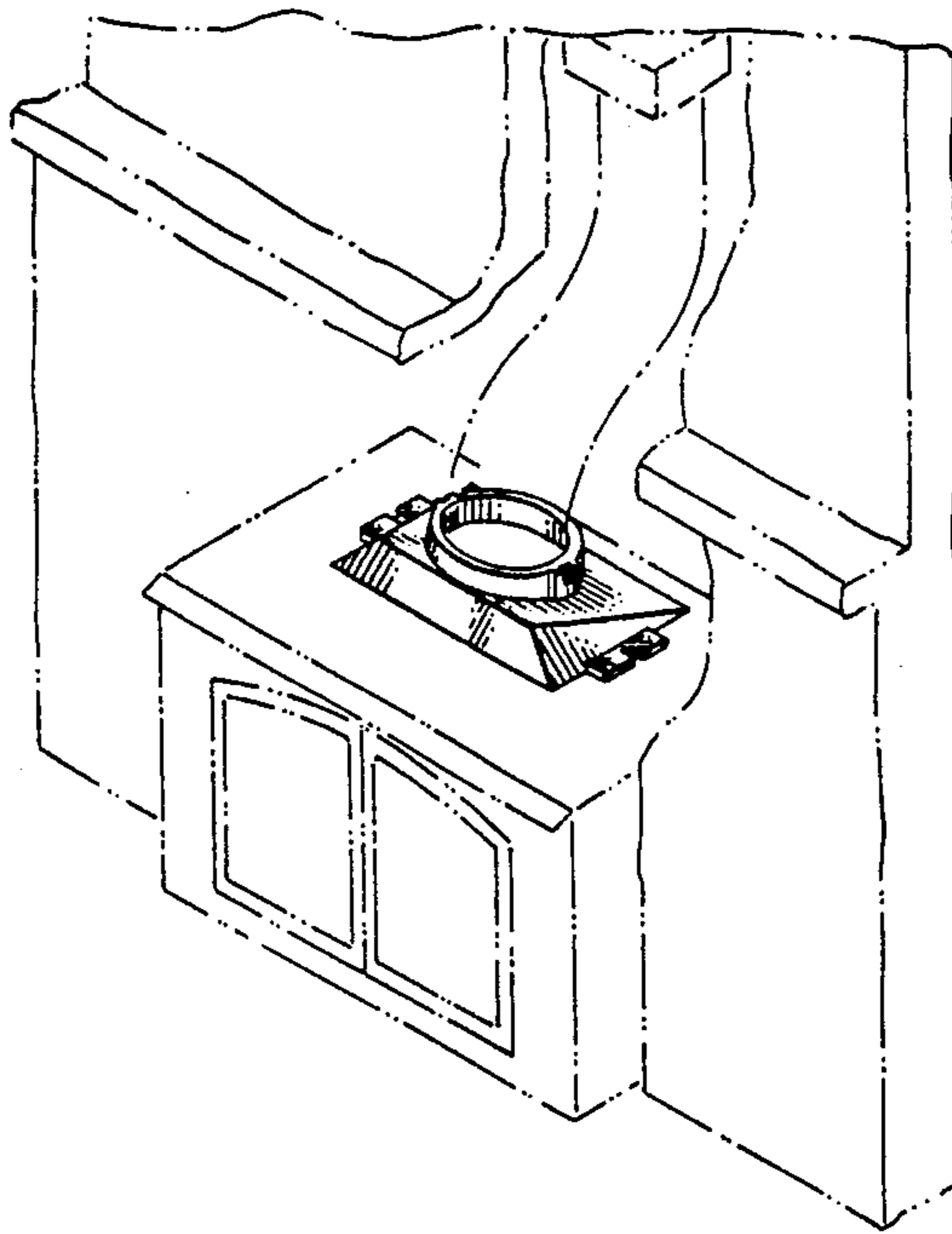
The ornamental design for a fireplace insert smoke pipe connector, as shown and described.

**DESCRIPTION**

FIG. 1 is a top, front perspective view of a fireplace insert smoke pipe connector, showing my new design; FIG. 2 is an enlarged top plan view thereof; FIG. 3 is an enlarged rear elevational view thereof; FIG. 4 is an enlarged bottom plan view thereof; FIG. 5 is an enlarged side elevation view thereof, the opposite side being a mirror image of that shown; FIG. 6 is an enlarged front elevational view thereof; and

FIG. 7 is an enlarged top, front perspective view thereof.

The broken line showing of environmental structure in FIG. 1 is for illustrative purposes only and forms no part of the claimed design.



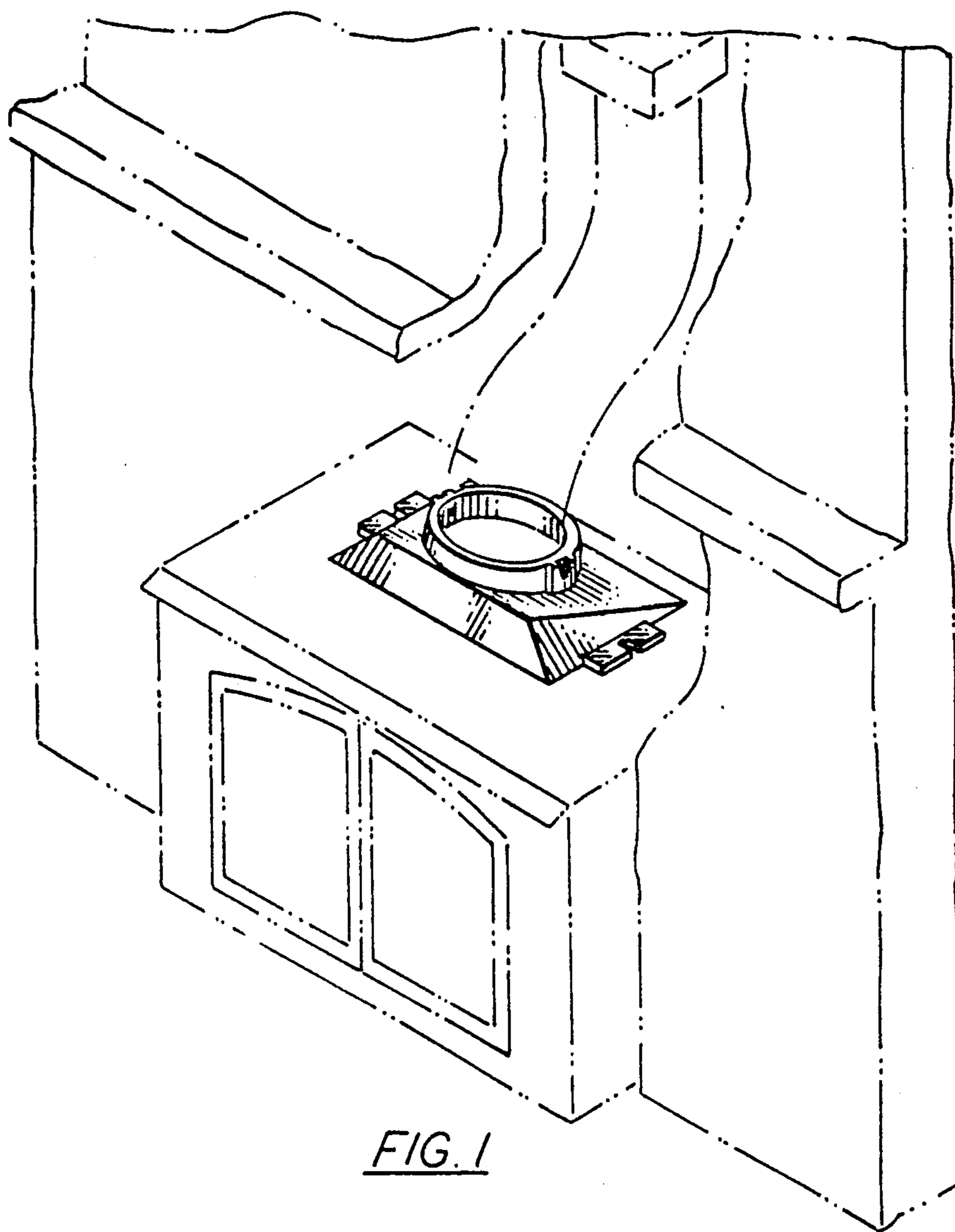


FIG. 1

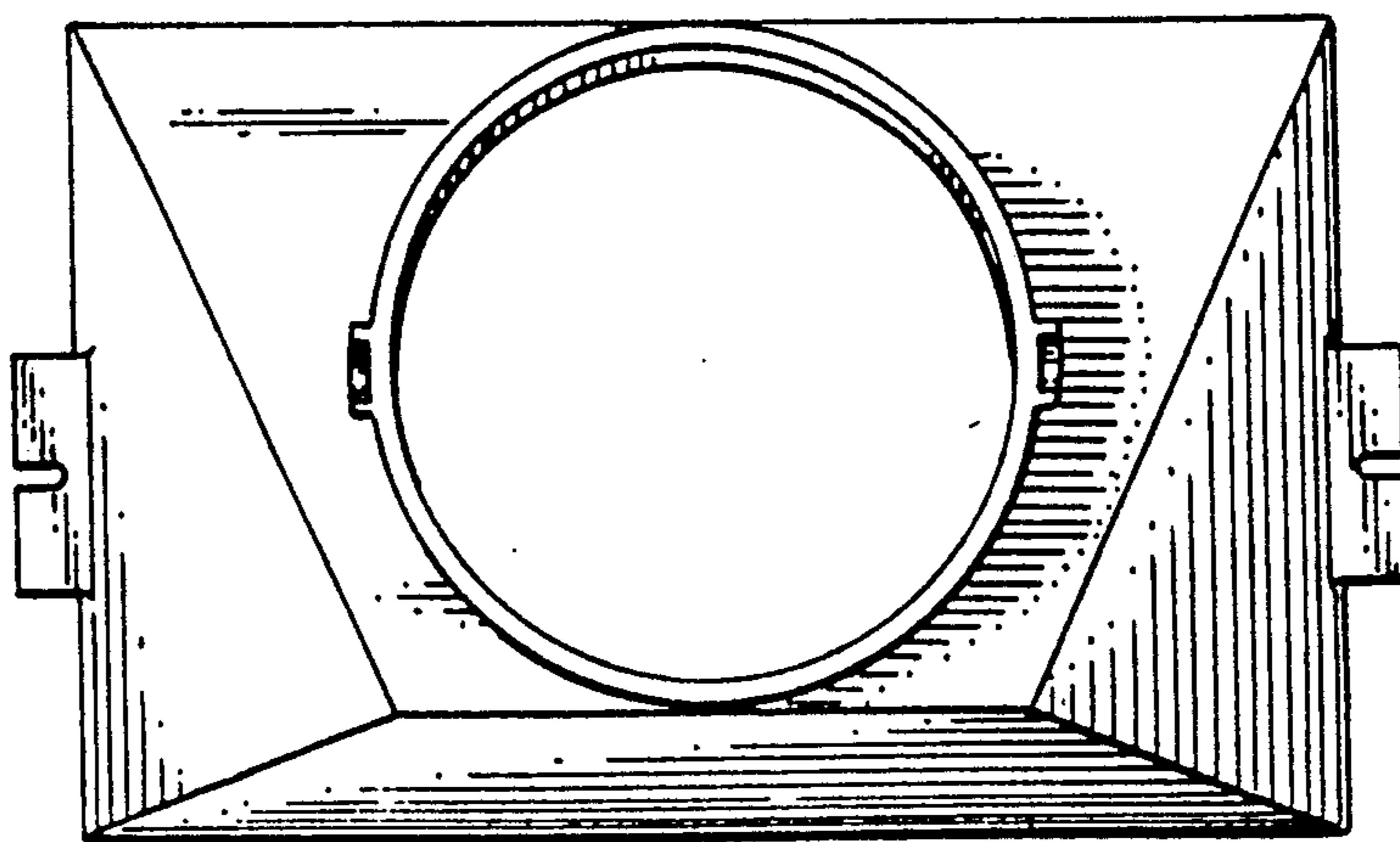


FIG. 2

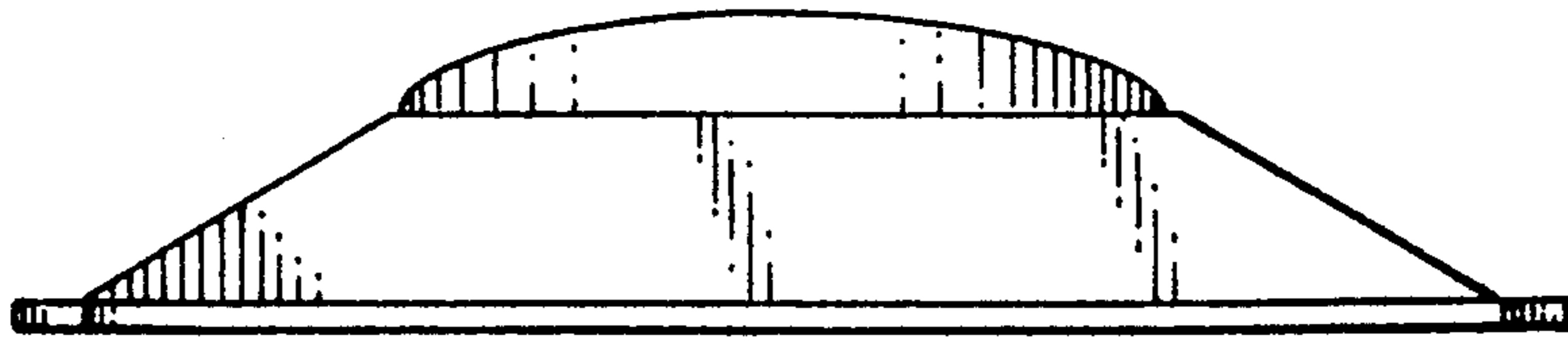


FIG. 3

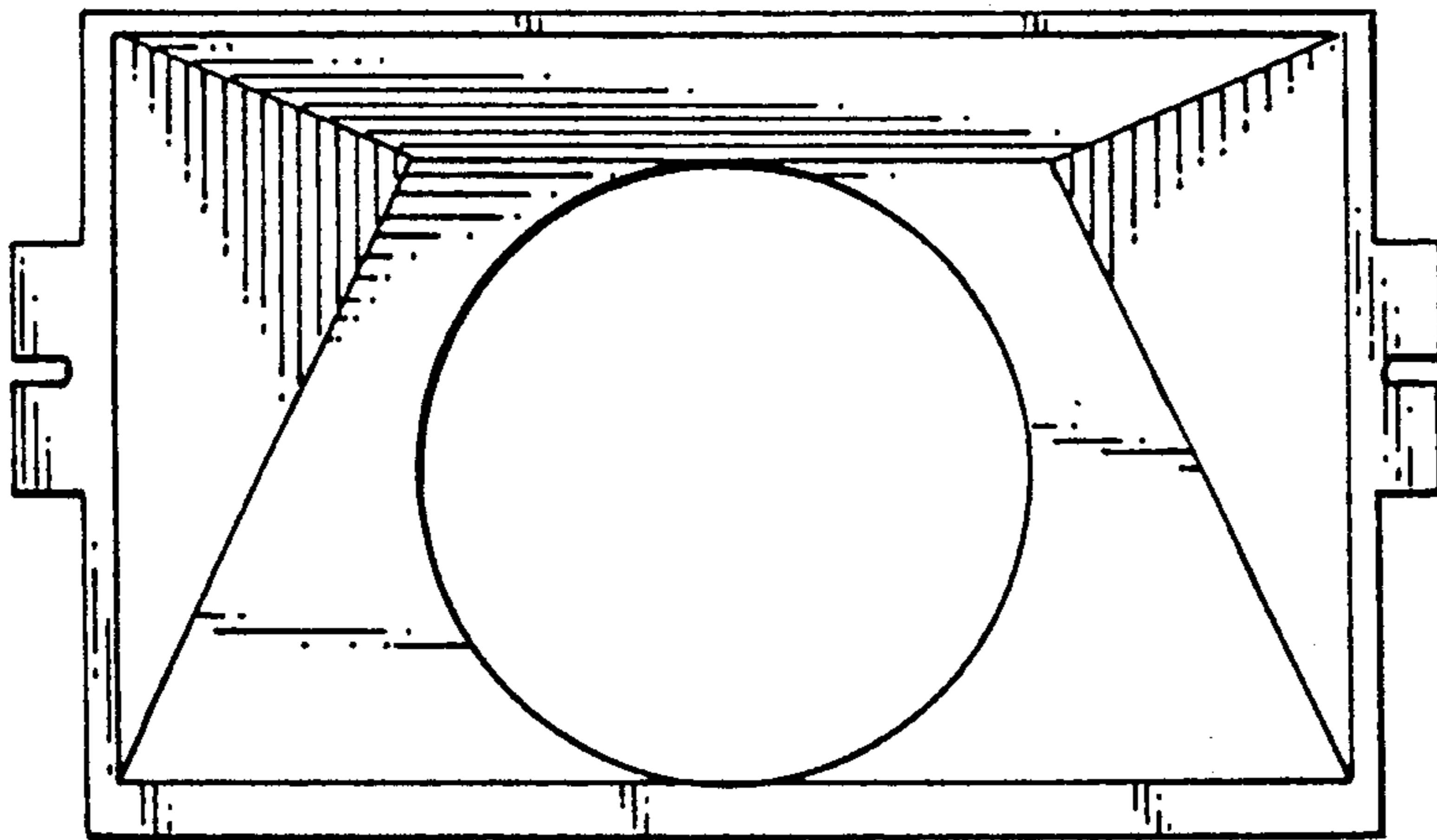


FIG. 4

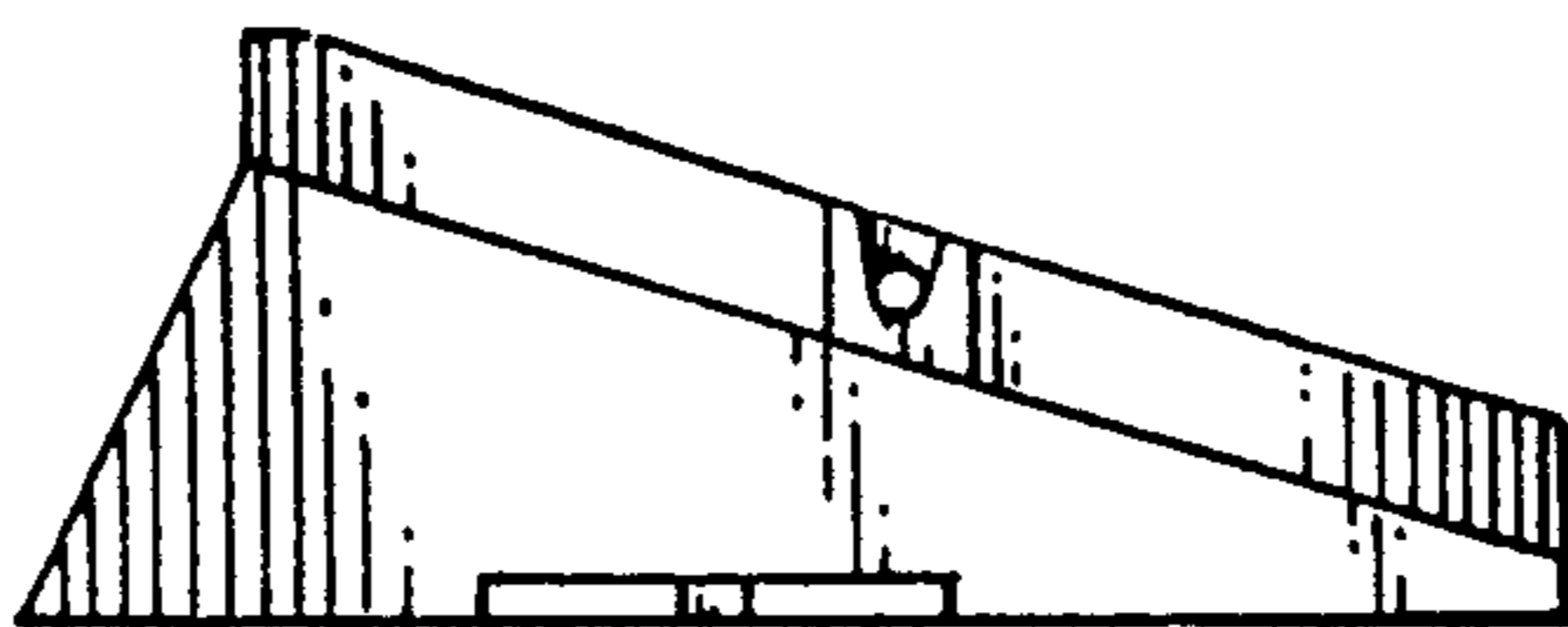


FIG. 5

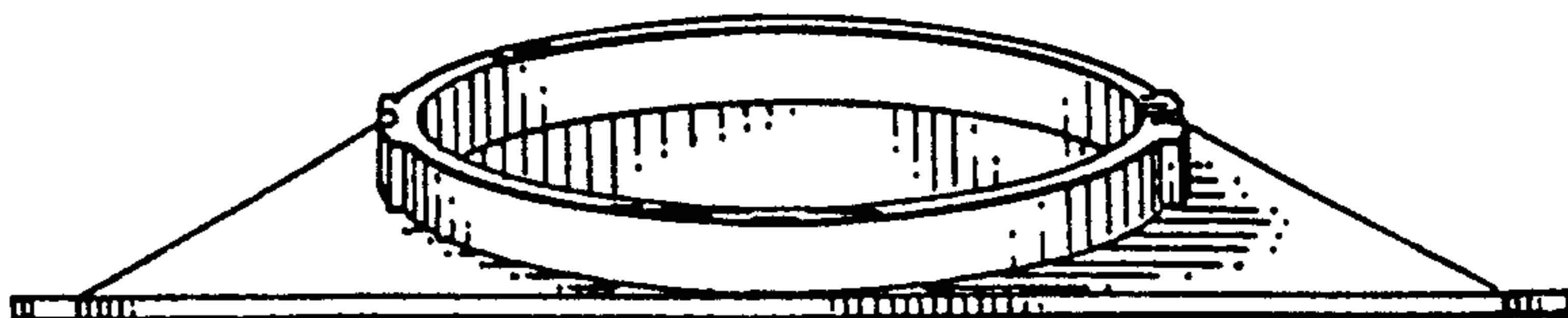


FIG. 6

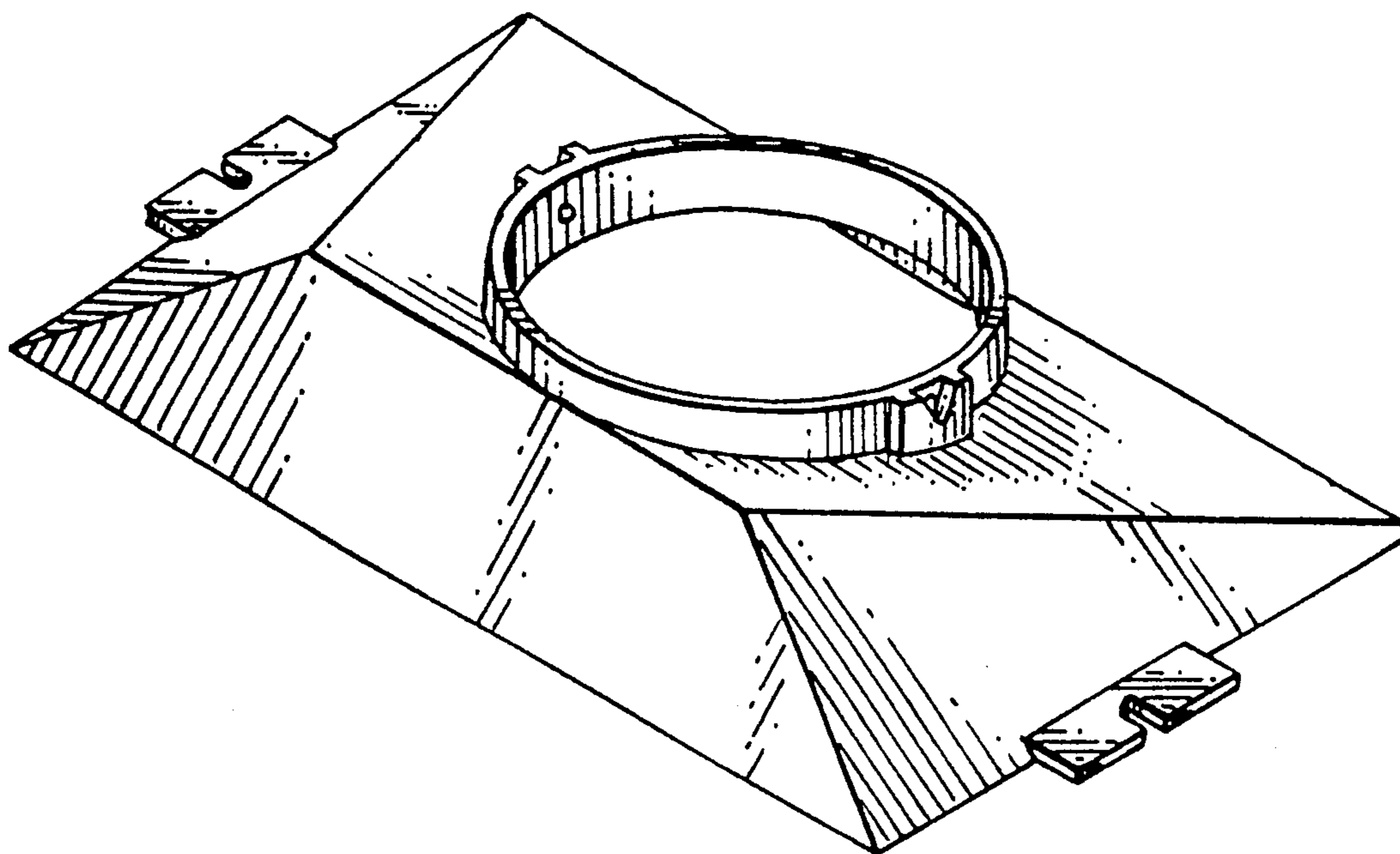


FIG. 7