

[54] **UNIVERSAL PNEUMATIC SWIVEL**
 [75] **Inventor: Paul W. Huber, Lancaster, N.Y.**
 [73] **Assignee: Dynabrade, Inc., Tonawanda, N.Y.**
 [*] **Notice: The portion of the term of this patent subsequent to May 3, 2002 has been disclaimed.**
 [**] **Term: 14 Years**
 [21] **Appl. No.: 154,607**
 [22] **Filed: Feb. 10, 1988**

Related U.S. Application Data

[63] Continuation-in-part of Ser. No. 766,588, Aug. 19, 1985, Pat. No. Des. 295,553, which is a continuation-in-part of Ser. No. 707,140, Mar. 1, 1985, Pat. No. Des. 295,552.
 [52] **U.S. Cl. D23/264**
 [58] **Field of Search D23/264**

References Cited

U.S. PATENT DOCUMENTS

D. 258,078 1/1981 Gallagher et al. D23/263
 D. 258,381 2/1981 Lewis D23/263
 D. 270,369 8/1983 Fleckenstein D23/264
 D. 295,552 5/1988 Huber D23/264
 D. 295,553 5/1988 Huber D23/264

1,985,012 12/1934 Boehm 285/190
 2,083,970 6/1937 Walter 285/168
 3,166,252 1/1965 O'Brien et al. 285/190 X
 3,210,099 10/1965 Franck 285/190
 3,986,732 10/1976 Stanley 285/190 X
 4,111,465 9/1978 Knight 285/168 X
 4,142,741 3/1979 Fiala 285/190 X

OTHER PUBLICATIONS

Parker Hannifin, Hose Products Division, 3000 P.S.I. Hydraulic Swivels, p. 94.
 Parker Hannifin, Hose Products Division, Replacement Seal Kits for Hydraulic Swivels, p. 97.

Primary Examiner—James R. Largen
Assistant Examiner—Demetrius Reynolds
Attorney, Agent, or Firm—Bean, Kauffman & Spencer

CLAIM

[57] The ornamental design for a universal pneumatic swivel, as shown.

DESCRIPTION

FIG. 1 is a top plan view of a universal pneumatic swivel showing my new design;
 FIG. 2 is a bottom plan view thereof;
 FIG. 3 is a side elevational view thereof;
 FIG. 4 is an opposite side elevational view thereof;
 FIG. 5 is a front elevational view thereof; and
 FIG. 6 is a rear elevational view thereof.

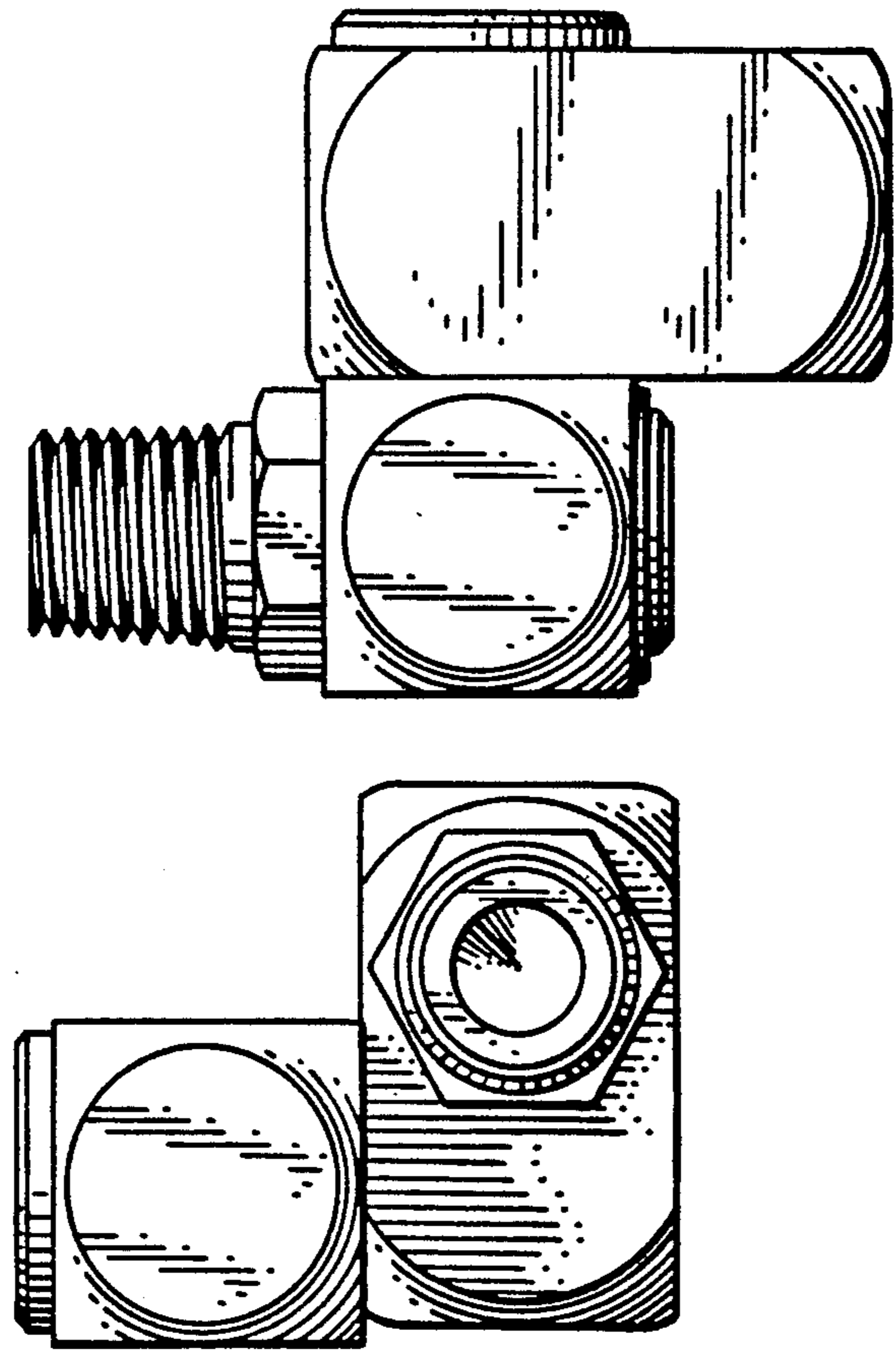


Fig. 1.

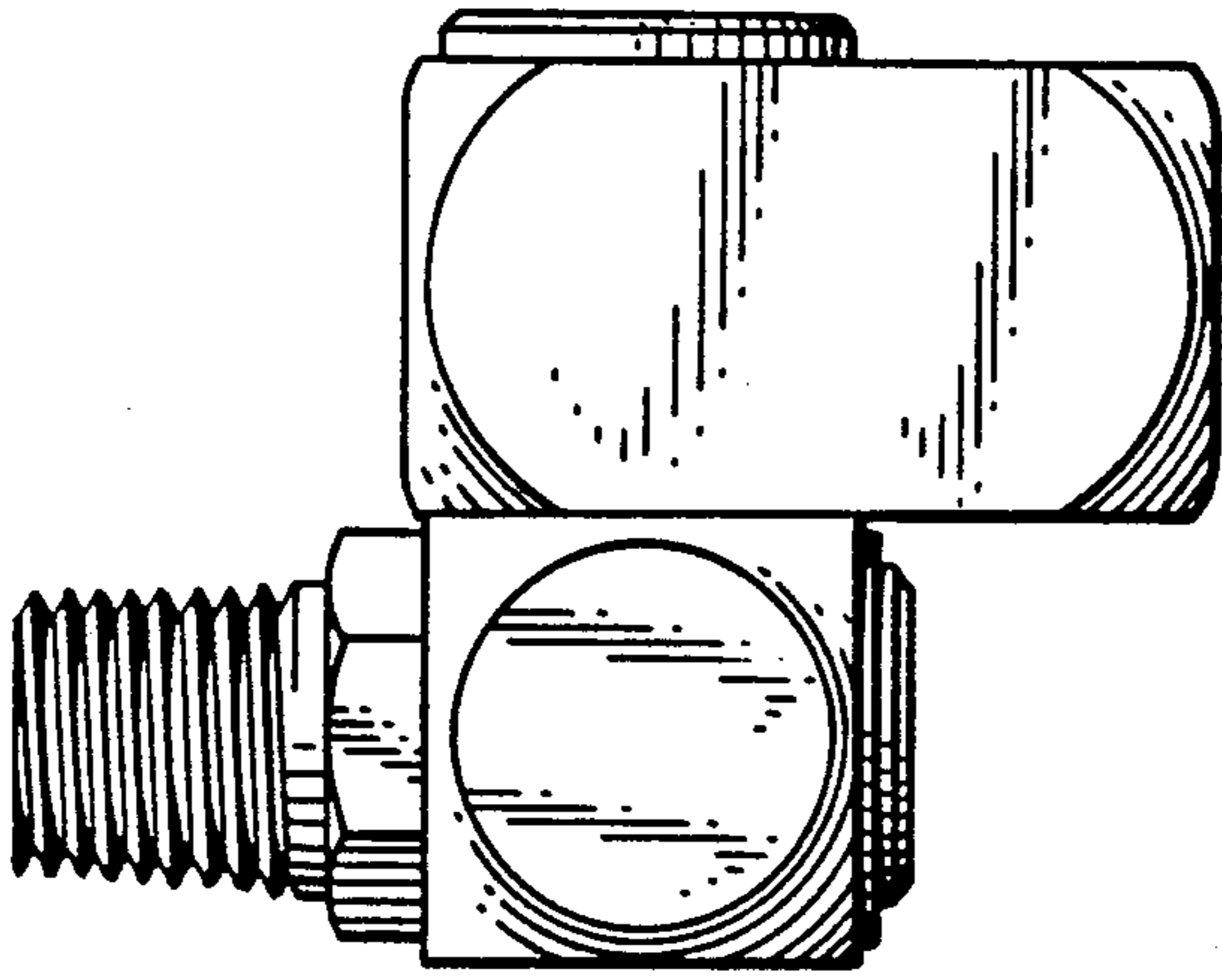


Fig. 2.

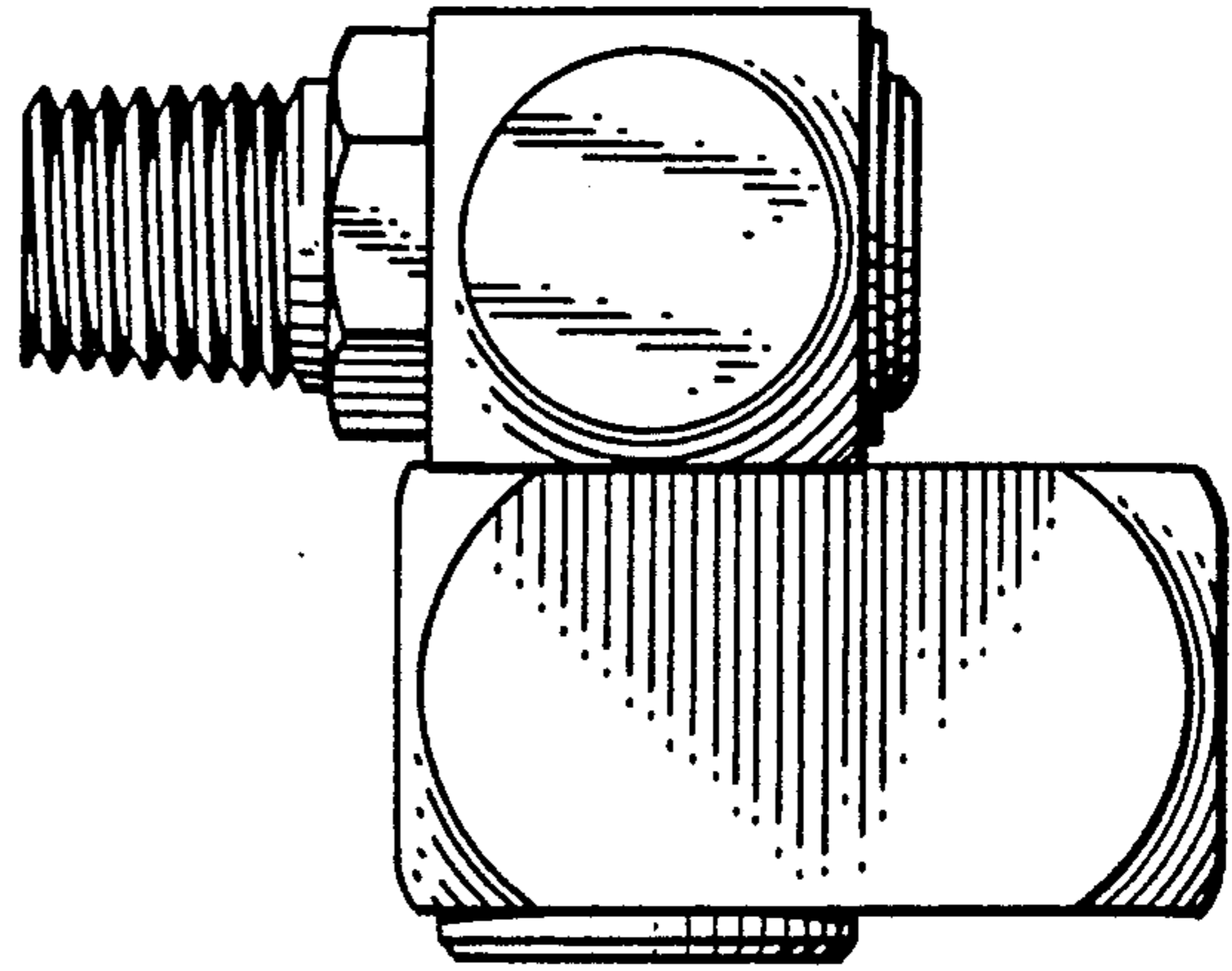


Fig. 3.

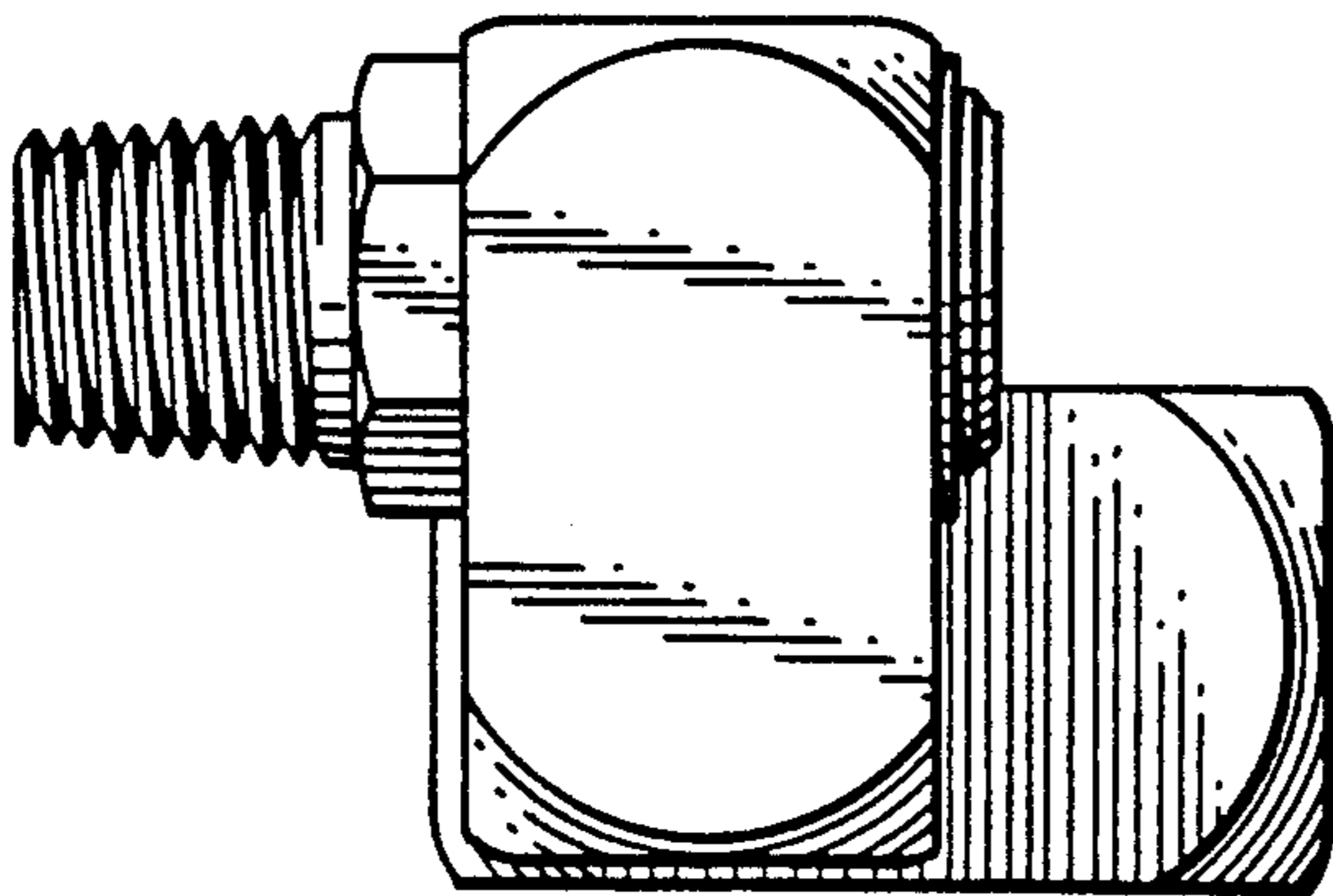


Fig. 4.

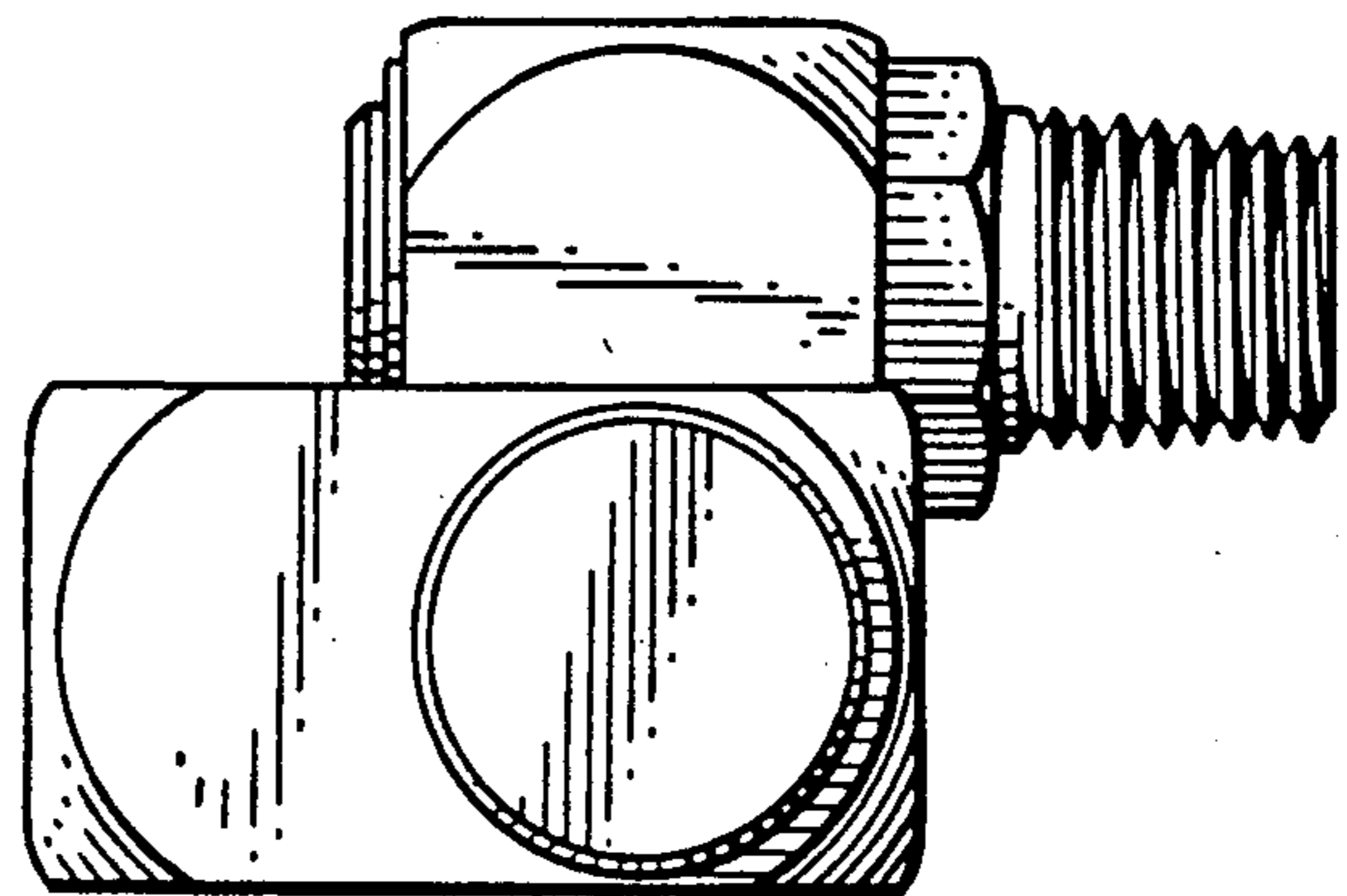


Fig. 5.

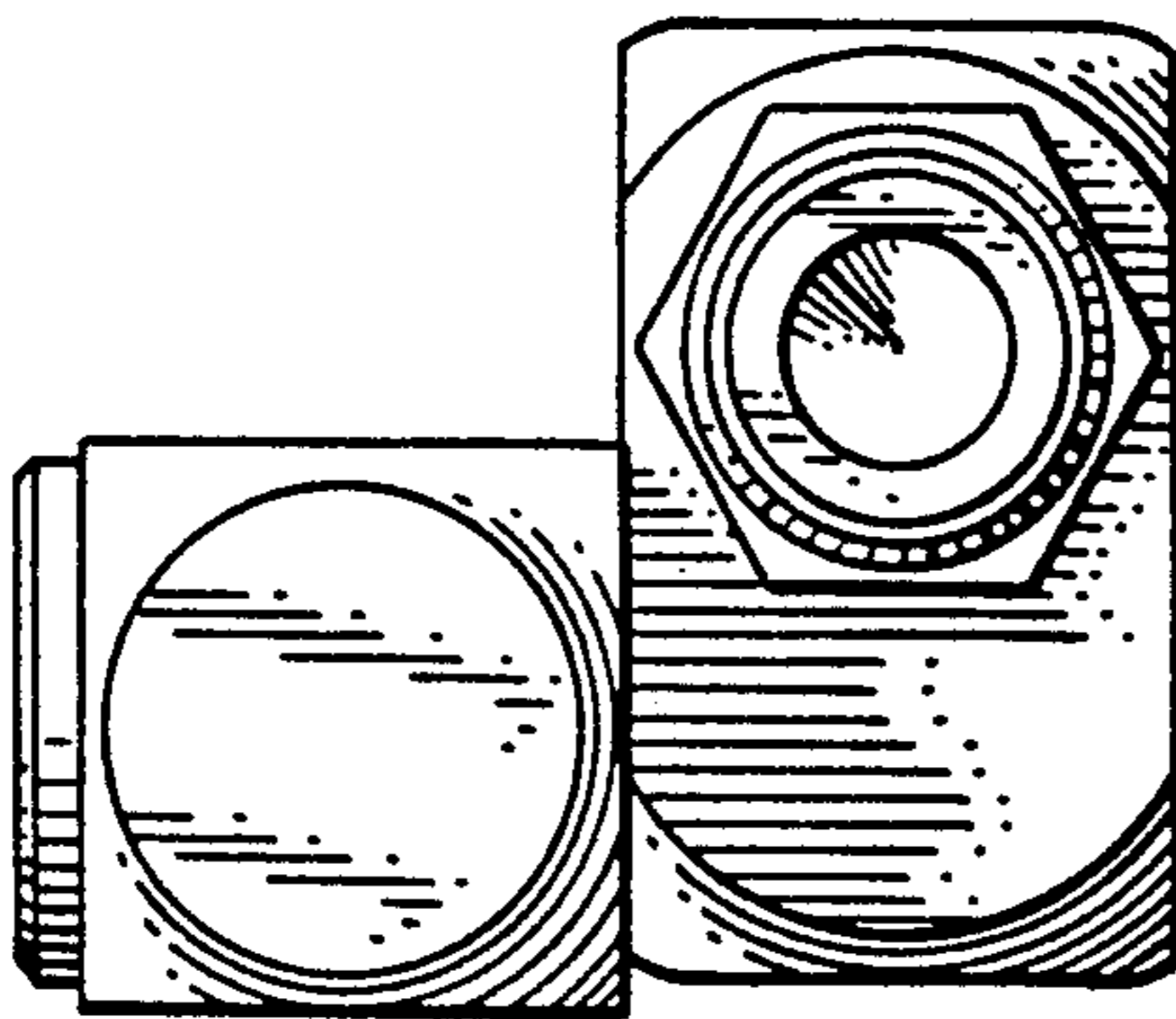


Fig. 6.

