

[54] BATHTUB OVERFLOW AND DRAIN

[75] Inventor: Henry M. Stairs, Jr., Neshanic, N.J.

[73] Assignee: American Standard Inc., New York, N.Y.

[\*\*] Term: 14 Years

[21] Appl. No.: 178,037

[22] Filed: Mar. 21, 1988

[52] U.S. Cl. .... D23/254

[58] Field of Search ..... D23/261; 4/191-199, 4/200-204, 538

[56] References Cited

U.S. PATENT DOCUMENTS

D. 248,769	8/1978	Jetter	.....	D23/254
1,818,653	8/1931	Steen	.....	4/199
2,832,081	4/1958	Young	.....	4/199
2,910,704	11/1959	Kinsey et al.	.....	4/199
3,150,383	9/1964	Reich	.....	4/199
3,551,921	1/1971	Fox et al.	.....	4/199
4,194,252	3/1980	Tsuei	.....	4/199
4,669,131	6/1987	Barlow	.....	4/199
4,763,366	8/1988	Moreland	.....	4/199

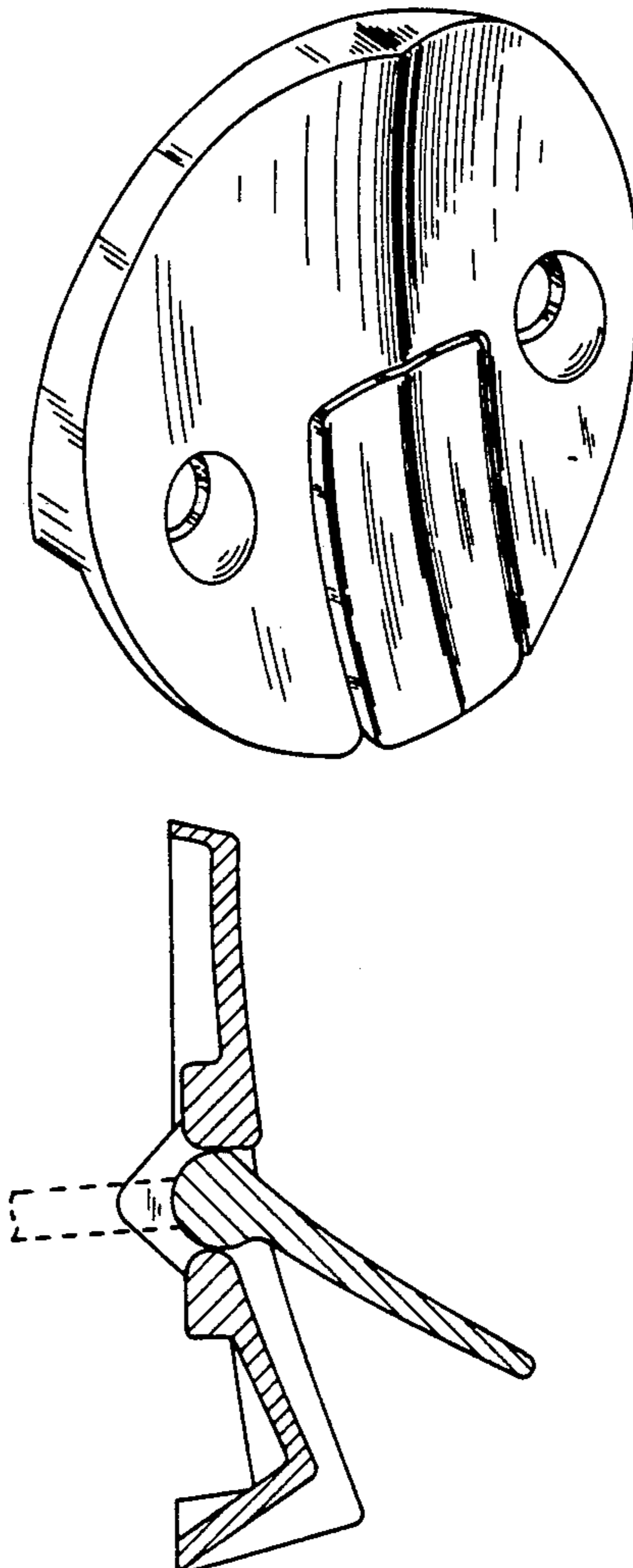
Primary Examiner—Louis S. Zarfes  
Assistant Examiner—Demetrius Reynolds  
Attorney, Agent, or Firm—John P. Sinnott

[57] CLAIM

The ornamental design of a handle for a bathtub overflow and drain, as shown and described.

DESCRIPTION

FIG. 1 is a perspective view taken from the top, front and left side of a bathtub overflow and drain showing my new design;  
FIG. 2 is a left side elevational view thereof, the right side being a mirror image of the left side shown;  
FIG. 3 is a front elevational view thereof;  
FIG. 4 is a top plan view thereof;  
FIG. 5 is a rear elevational view thereof;  
FIG. 6 is a bottom plan view thereof;  
FIG. 7 is a cross-sectional view taken along line 7—7 of FIG. 3; and  
FIG. 8 is a cross-sectional view taken along line 7—7 of FIG. 3 but with the handle in an upward position.  
The broken line showing of an arm in FIGS. 7 and 8 is for illustrative purposes only and forms no part of the claimed design.



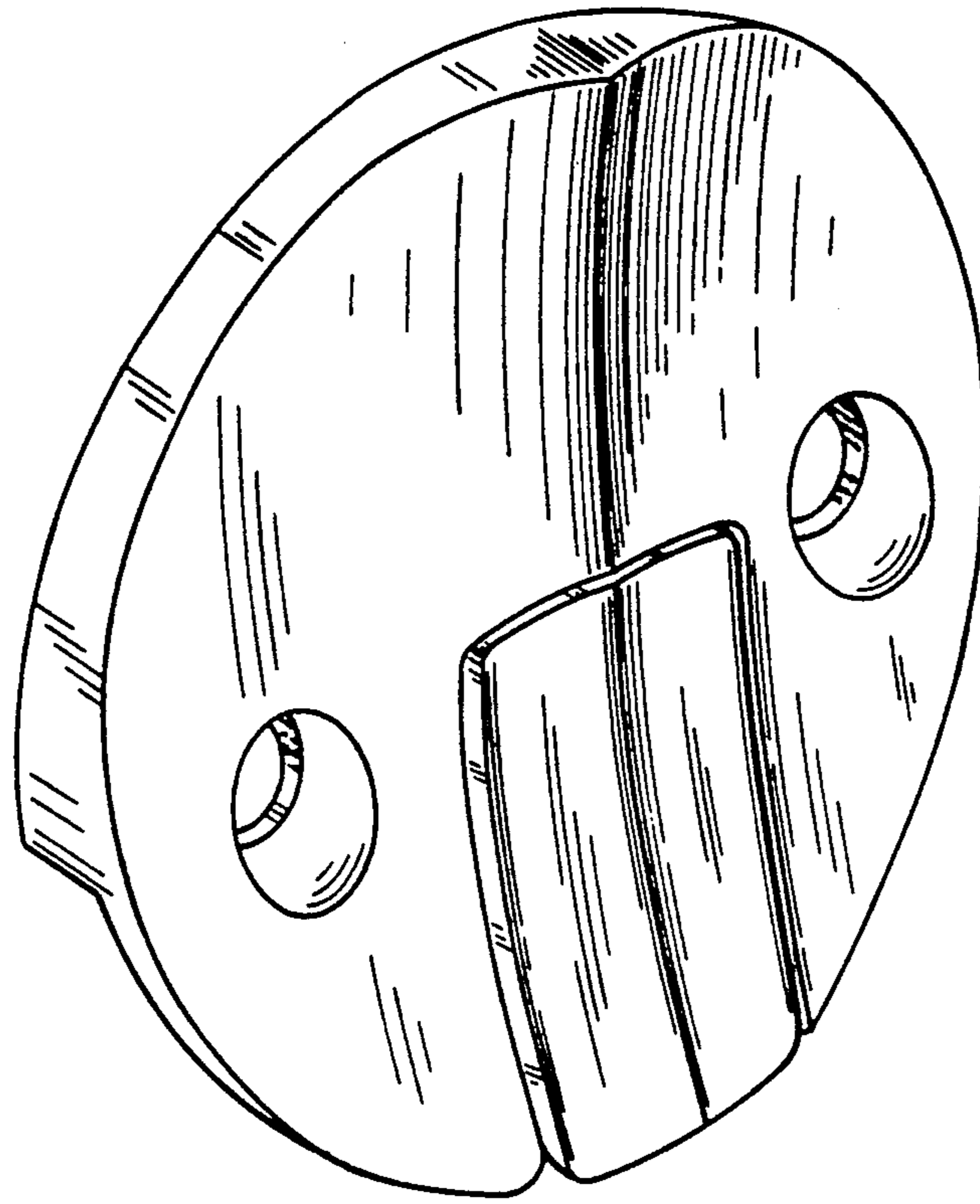


FIG. 1

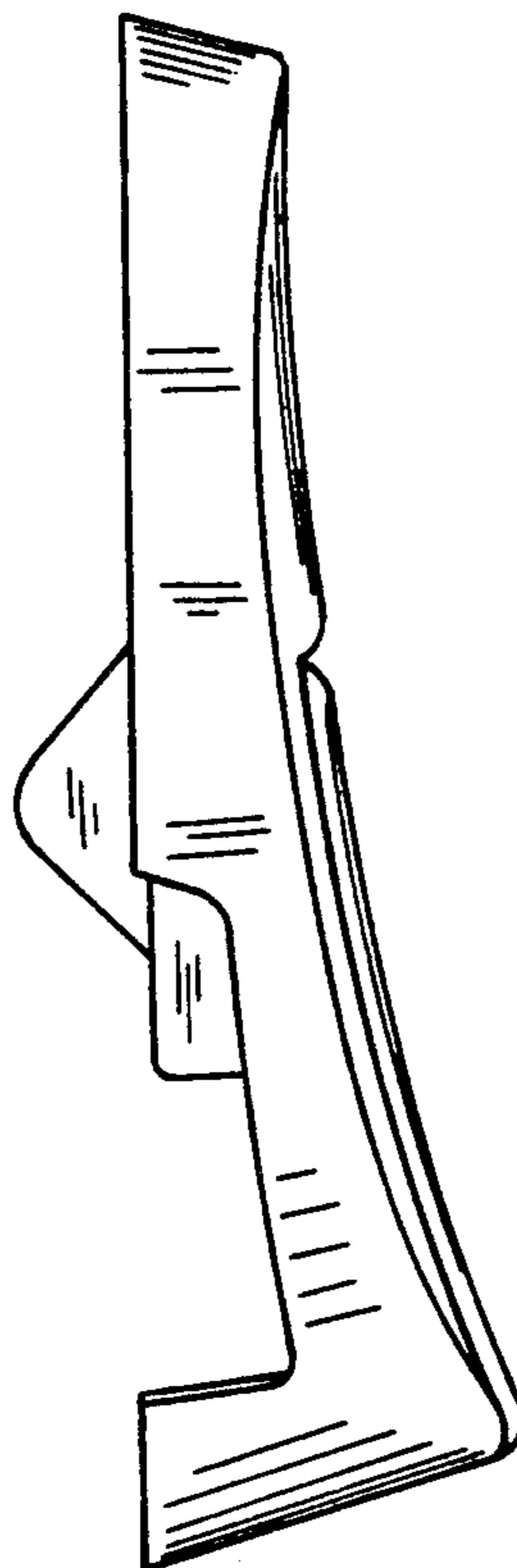


FIG. 2

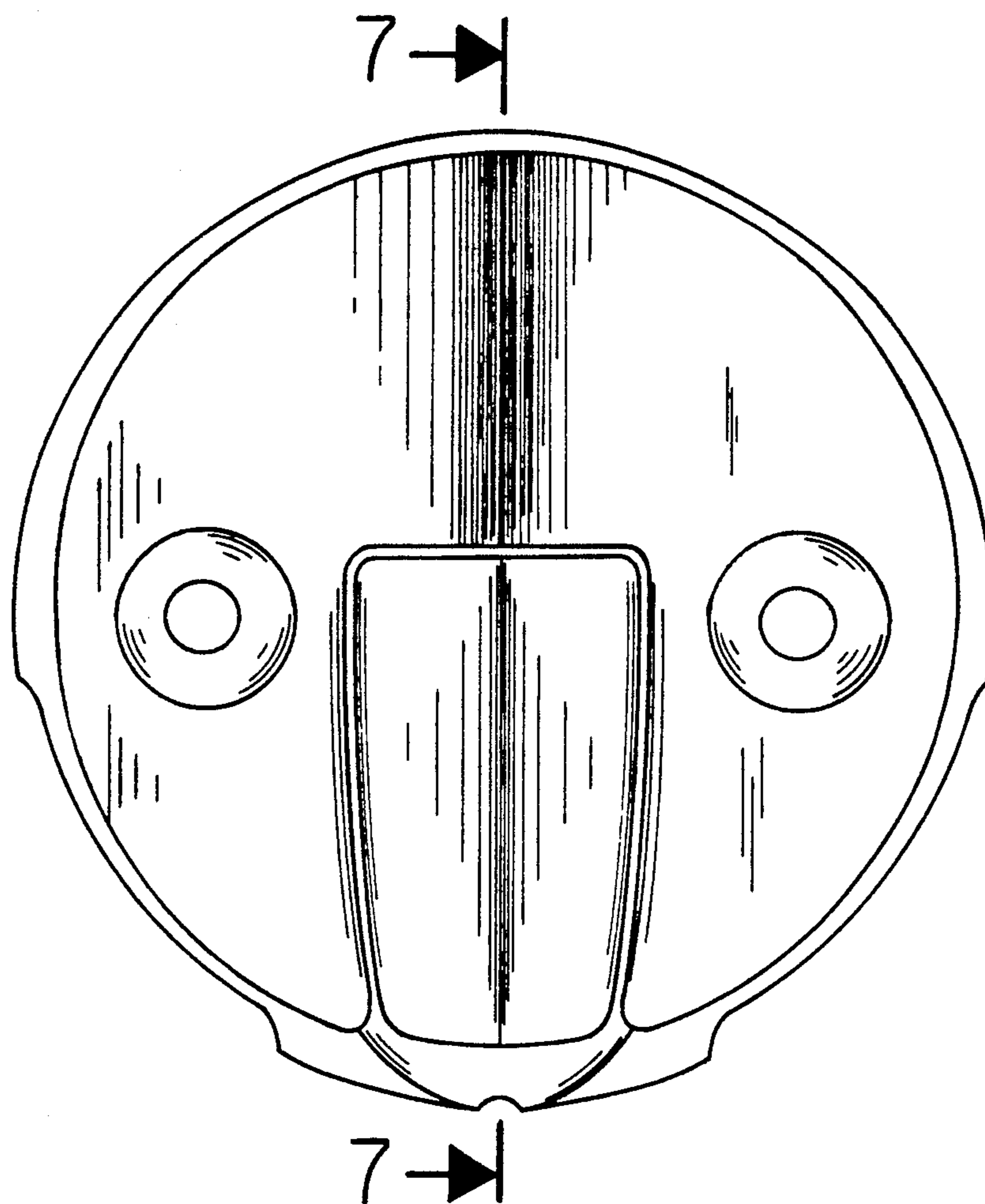


FIG. 3

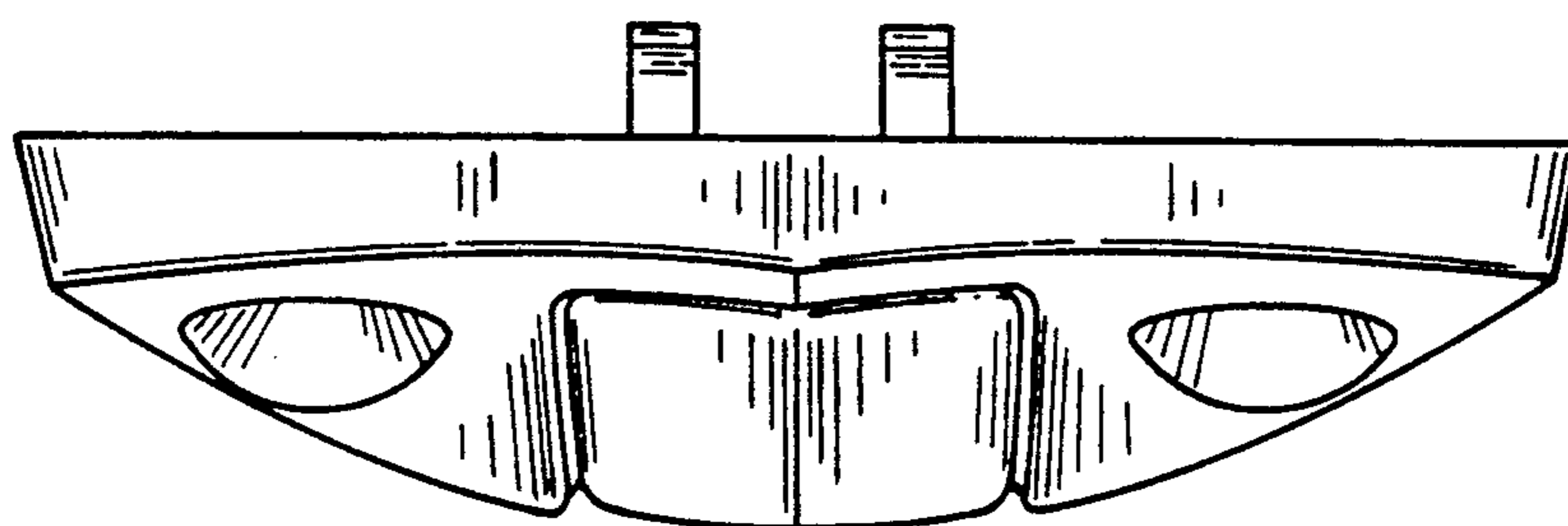


FIG. 4

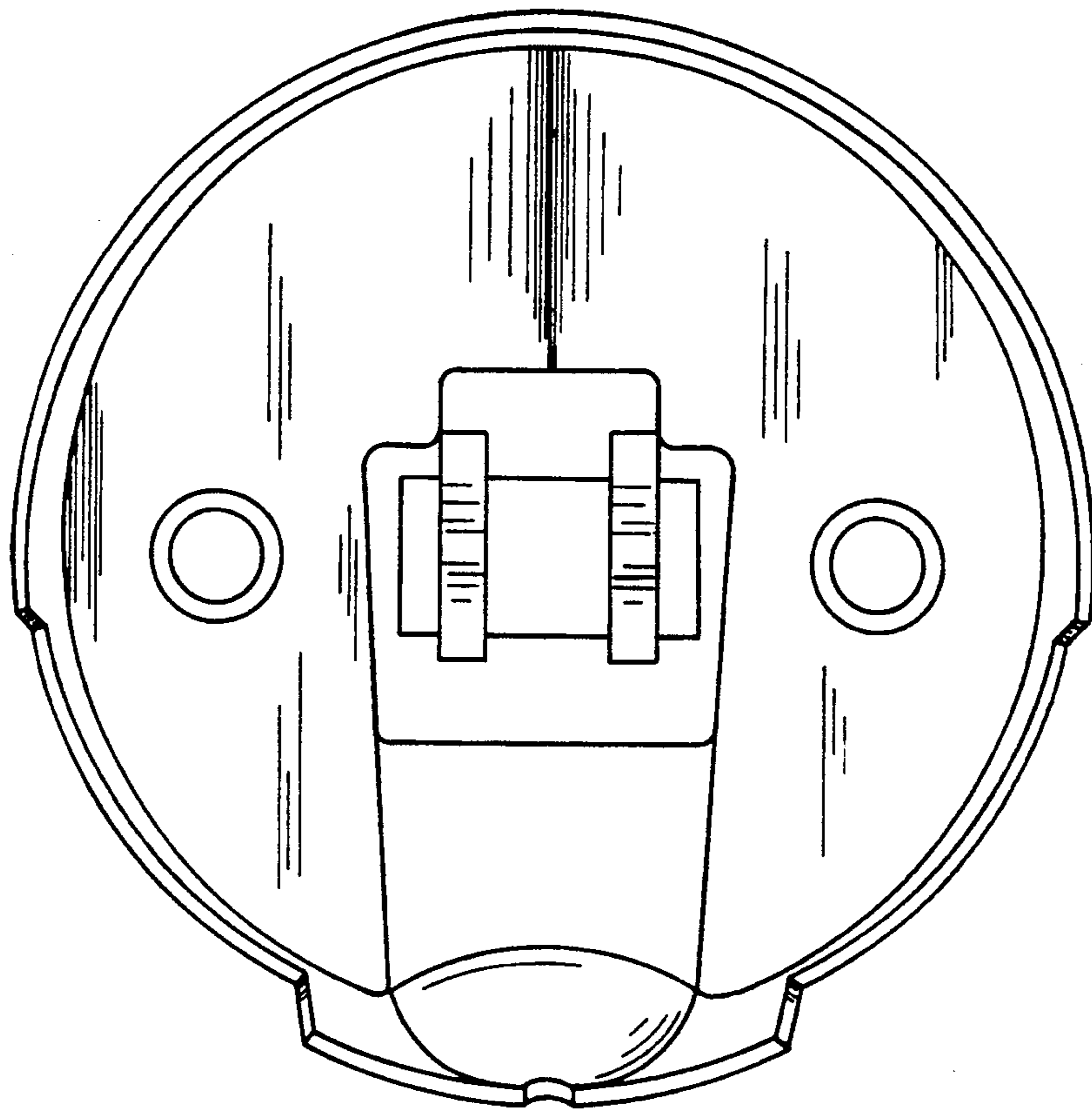


FIG. 5

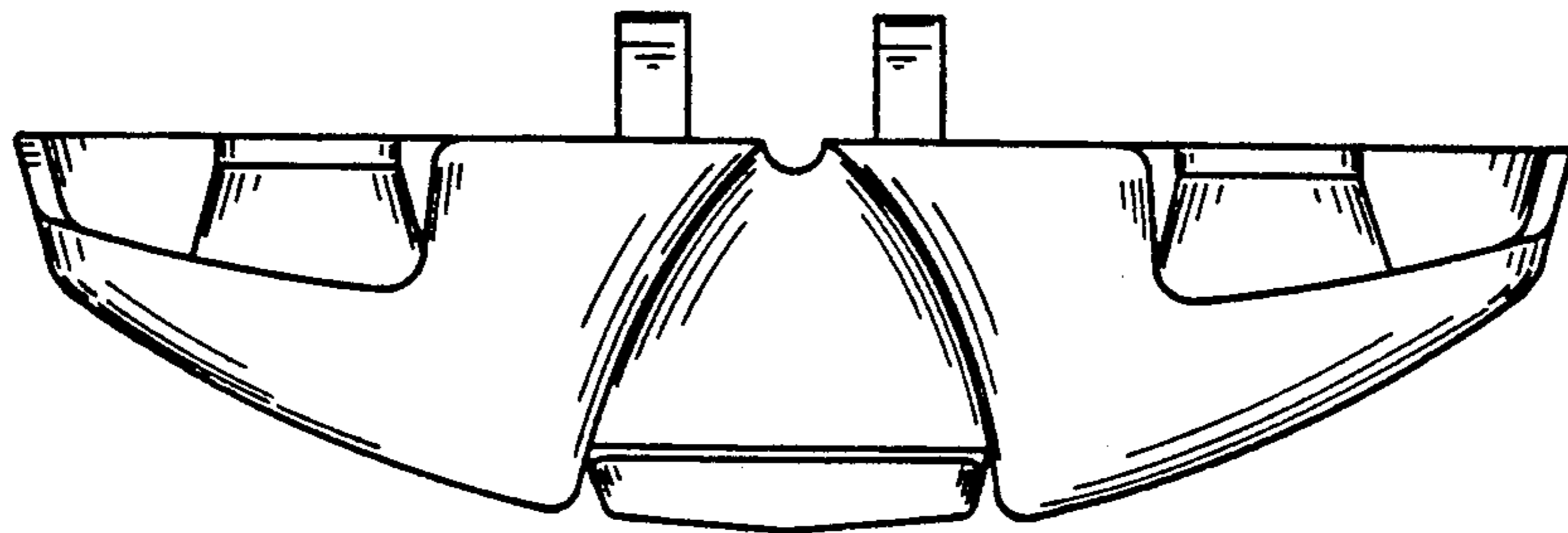


FIG. 6

FIG. 7

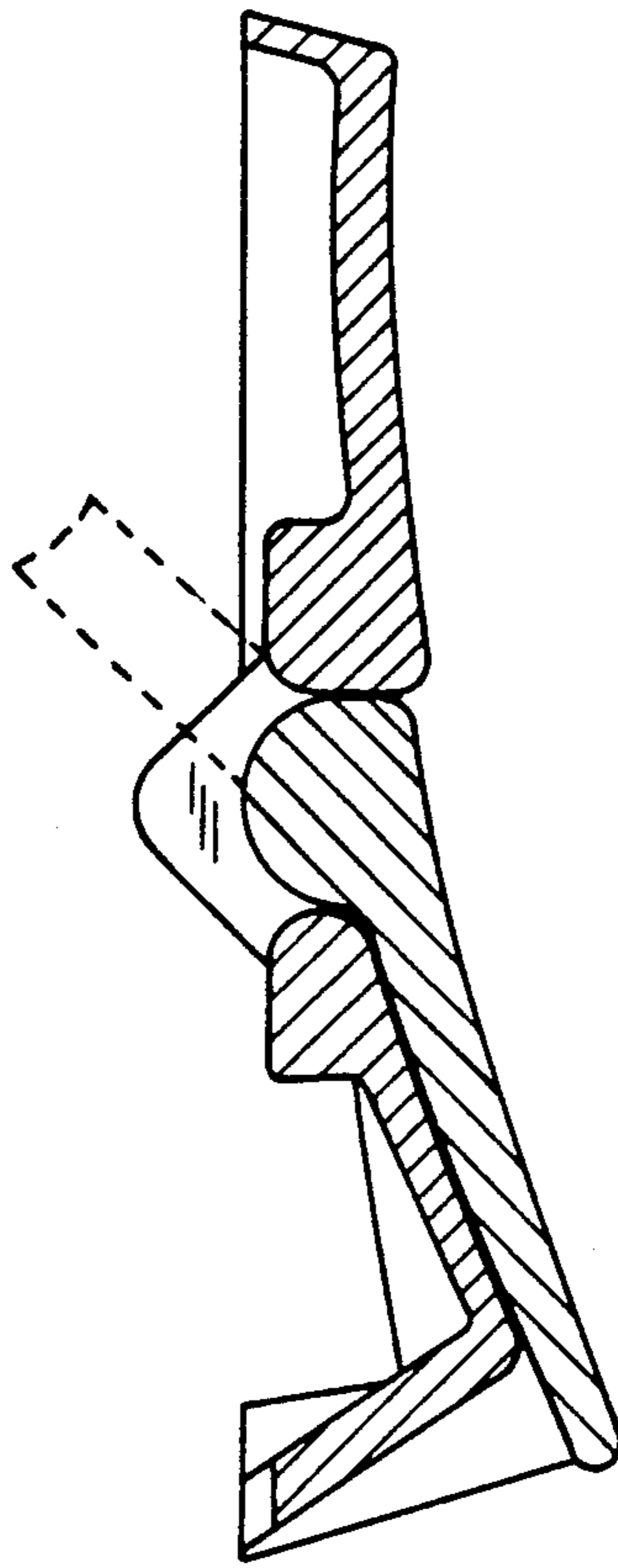


FIG. 8

