

[54] FAUCET HANDLE

[75] Inventor: Tom E. Robbins, San Leandro, Calif.

[73] Assignee: Kallista, Inc., San Leandro, Calif.

[\*\*] Term: 14 Years

[21] Appl. No.: 245,531

[22] Filed: Sep. 19, 1988

[52] U.S. Cl. .... D23/250

[58] Field of Search ..... D23/238-293,  
D23/250-254; D8/300, 301, 305, 307-312;  
4/191, 192

[56] References Cited

U.S. PATENT DOCUMENTS

- D. 50,377 2/1917 Ehrlich ..... D23/250 X
- D. 75,863 7/1928 Nicholes ..... D23/250
- D. 76,904 11/1928 Smith ..... D23/254
- D. 76,995 11/1928 Fraser ..... D23/254
- D. 276,544 11/1984 Piesco ..... D23/254

OTHER PUBLICATIONS

Architectural Record, May 1936, p. 53.

Primary Examiner—James R. Largen

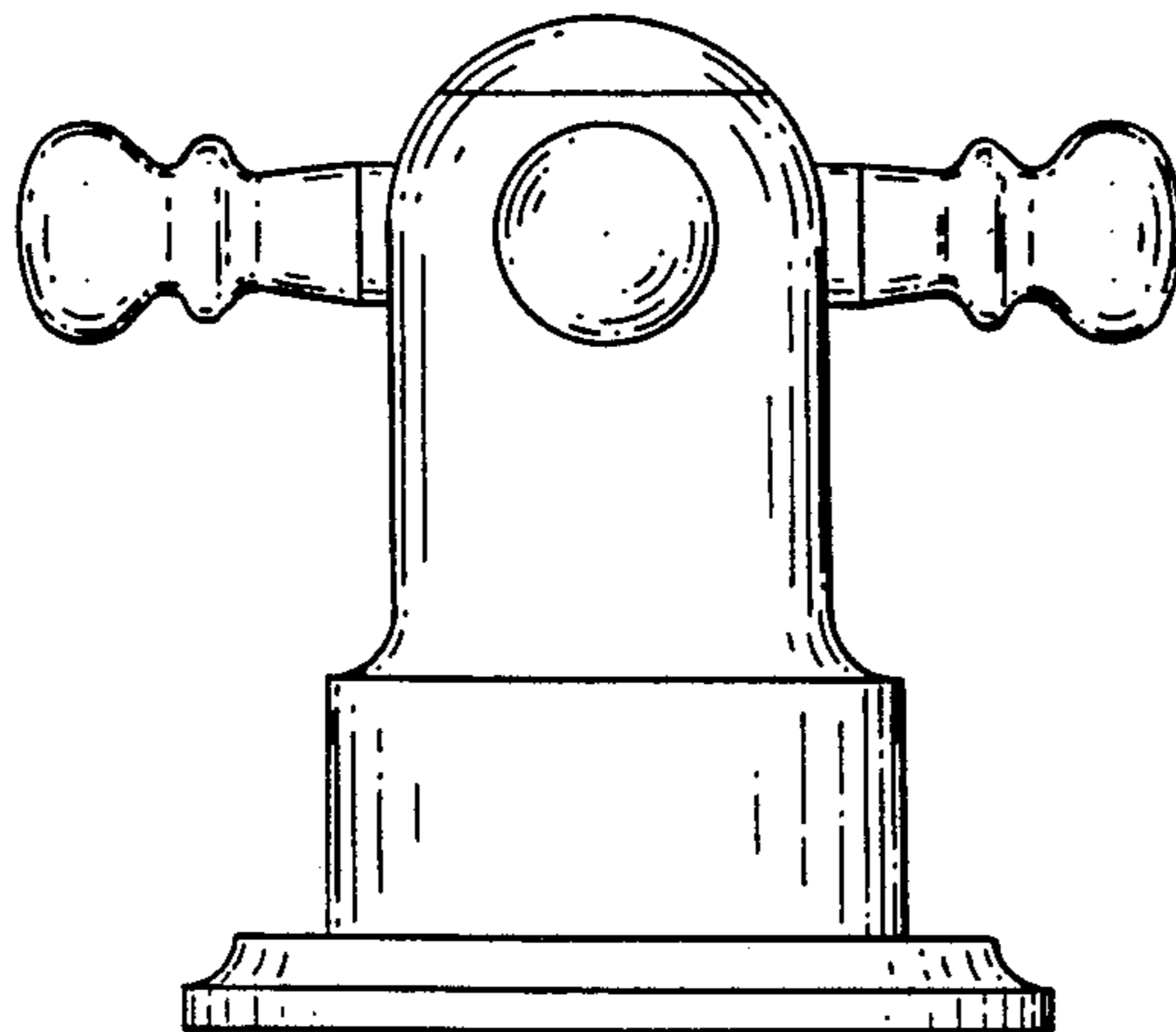
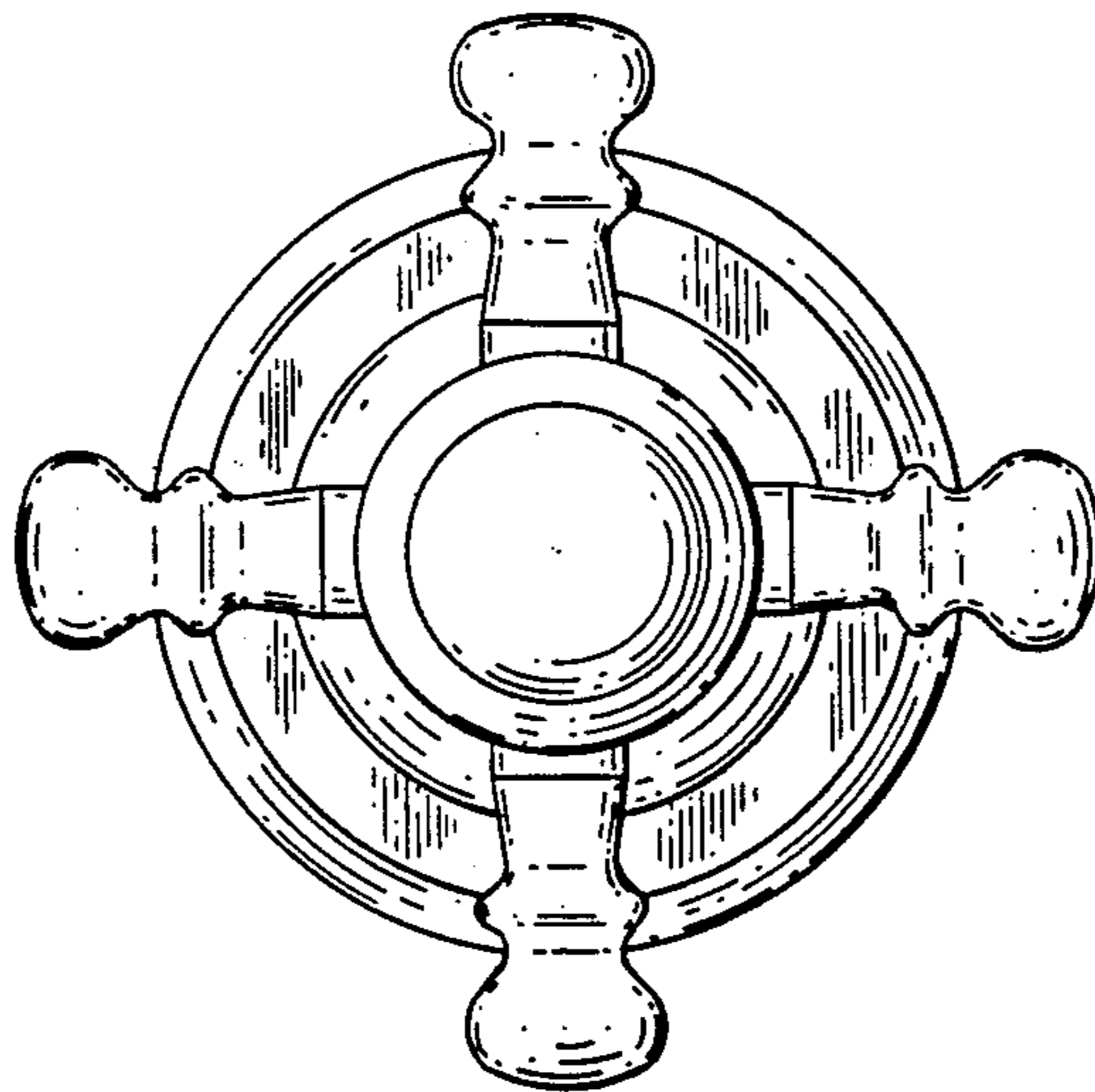
Attorney, Agent, or Firm—Harris Zimmerman

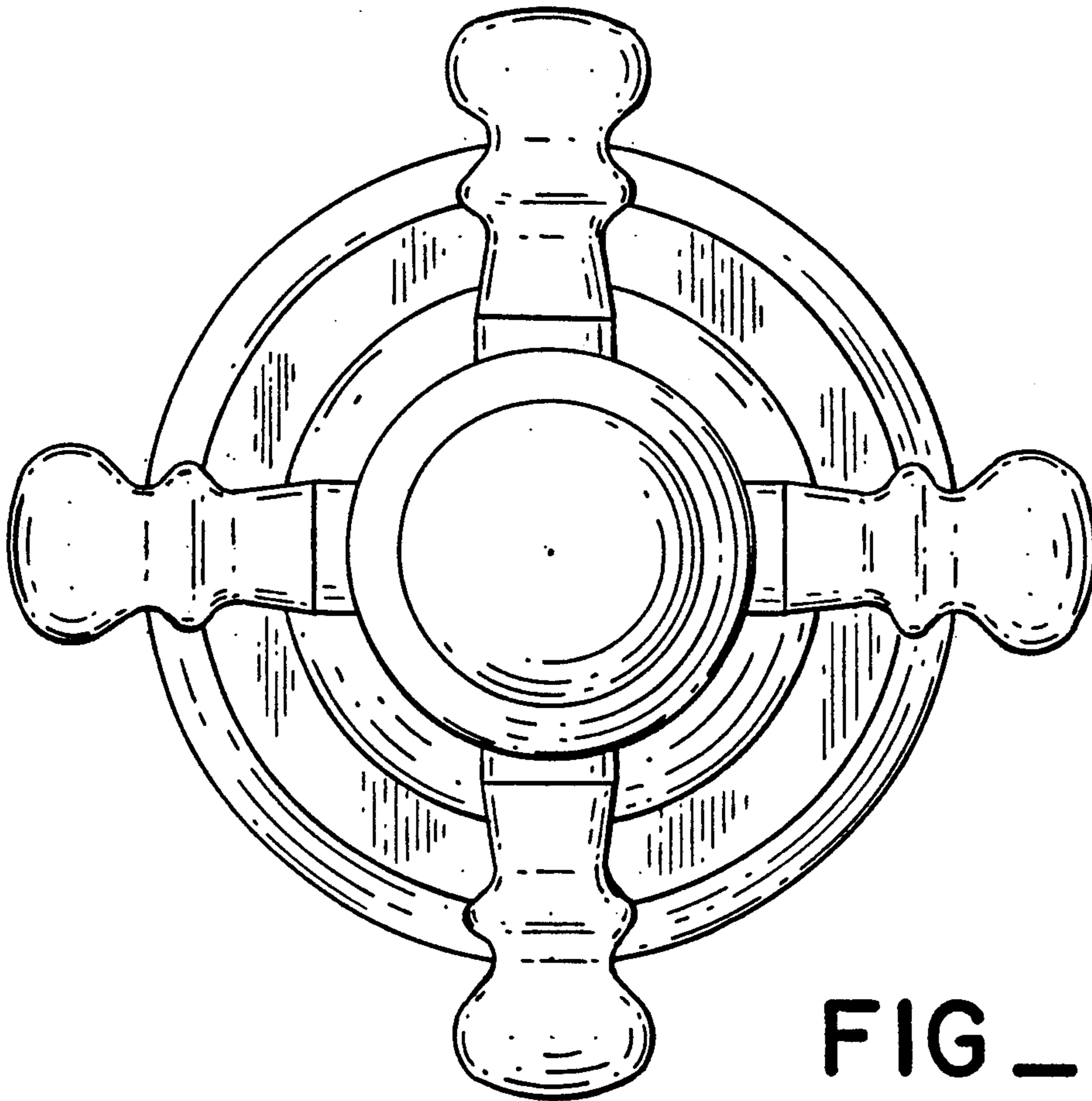
[57] CLAIM

The ornamental design for a faucet handle, as shown and described.

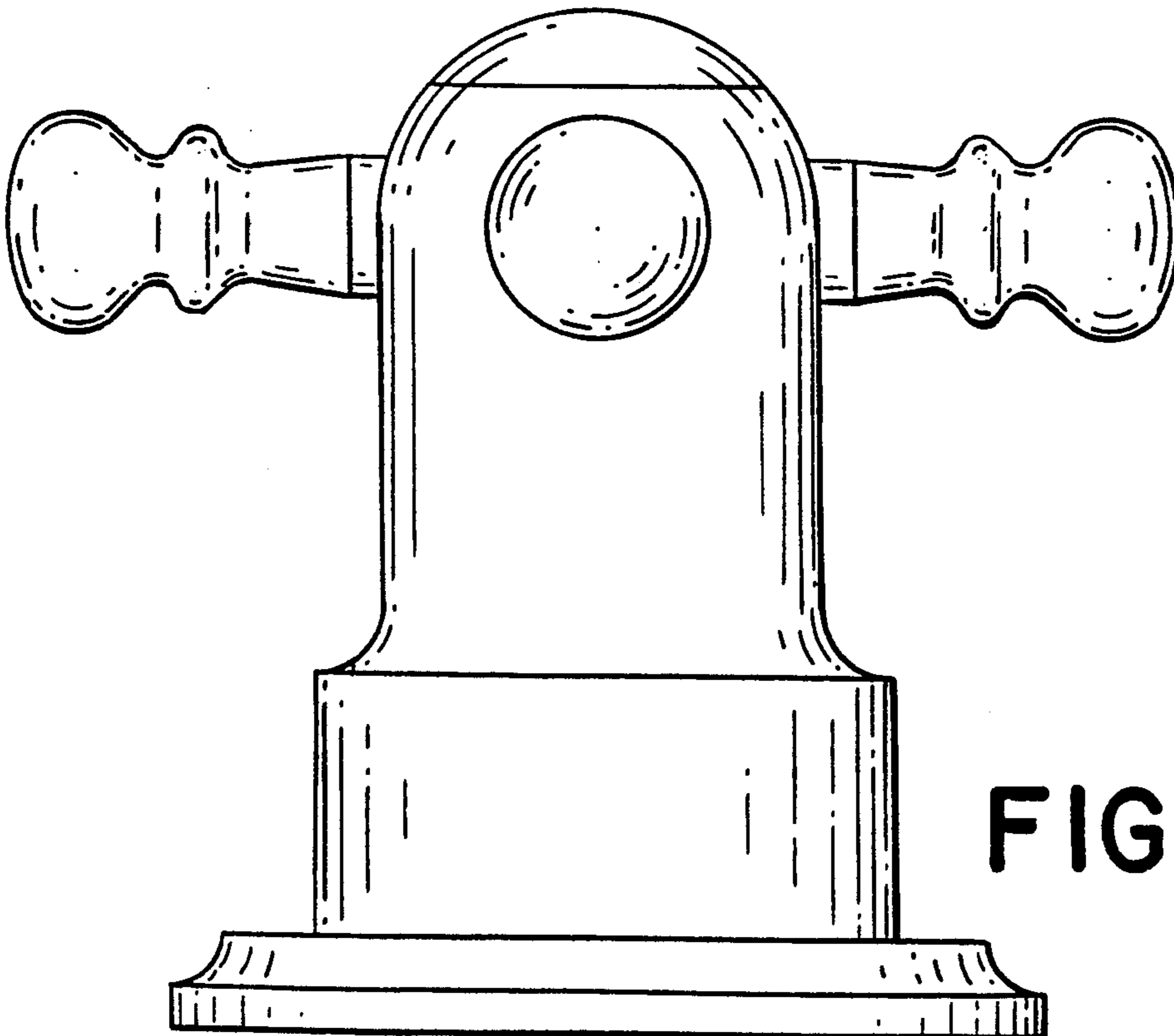
DESCRIPTION

FIG. 1 is a top plan view of a four-handled faucet showing my new design;  
 FIG. 2 is a side elevational view thereof; the other side being the same as the side shown;  
 FIG. 3 is a top plan view of a second embodiment thereof;  
 FIG. 4 is a side elevational view of FIG. 3, the other side being the same as the side shown;  
 FIG. 5 is a top plan view of a third embodiment thereof;  
 FIG. 6 is a side elevational view of FIG. 5, the other side being the same as the side shown;  
 FIG. 7 is a top plan view of a fourth embodiment thereof;  
 FIG. 8 is a side elevational view of FIG. 7, the other side being the same as the side shown;  
 FIG. 9 is a bottom plan view of the embodiments shown in FIGS. 1 and 5; and  
 FIG. 10 is a bottom plan view of the embodiments shown in FIGS. 3 and 7.

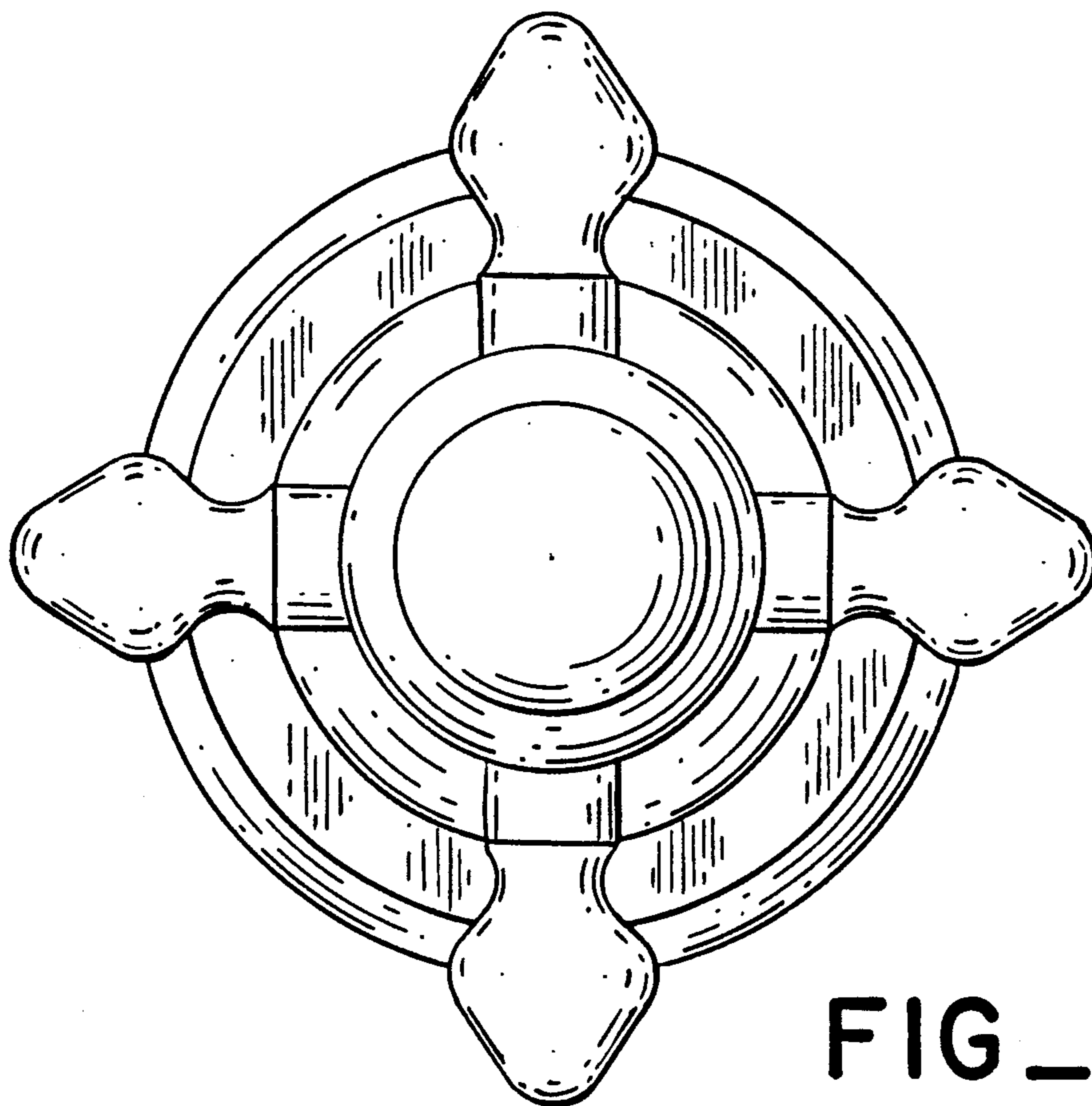




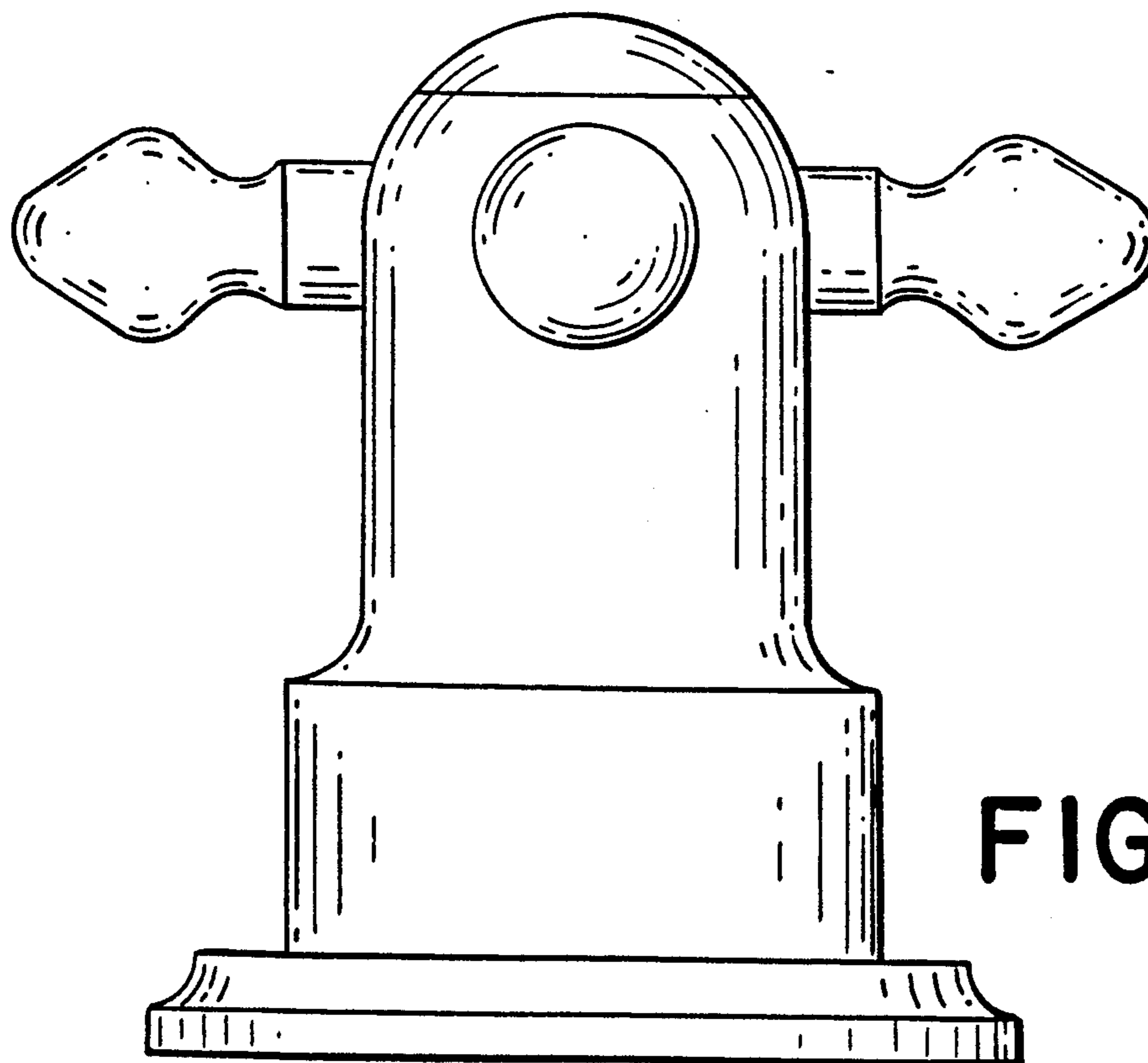
**FIG\_1**



**FIG\_2**

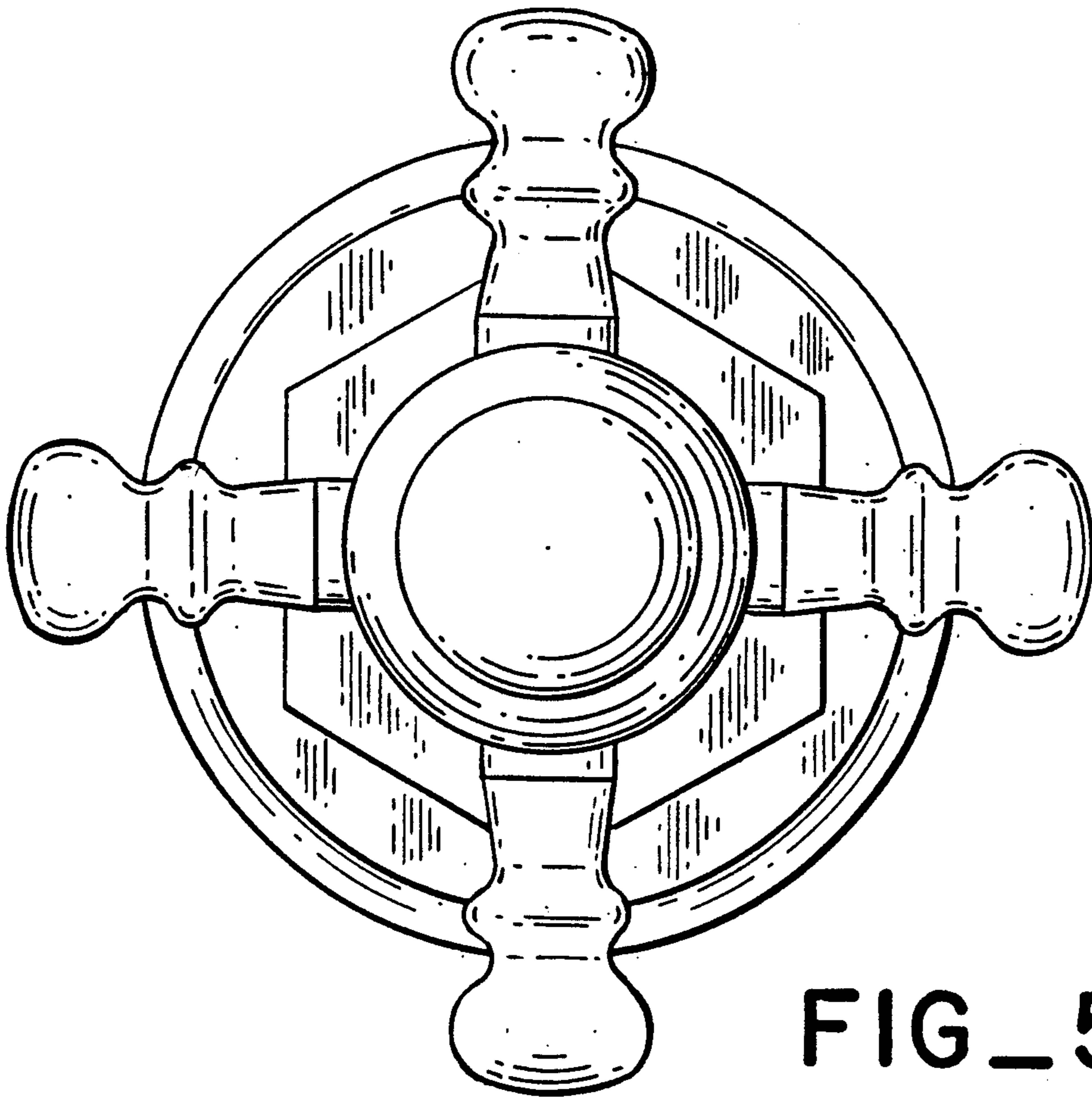


FIG\_3

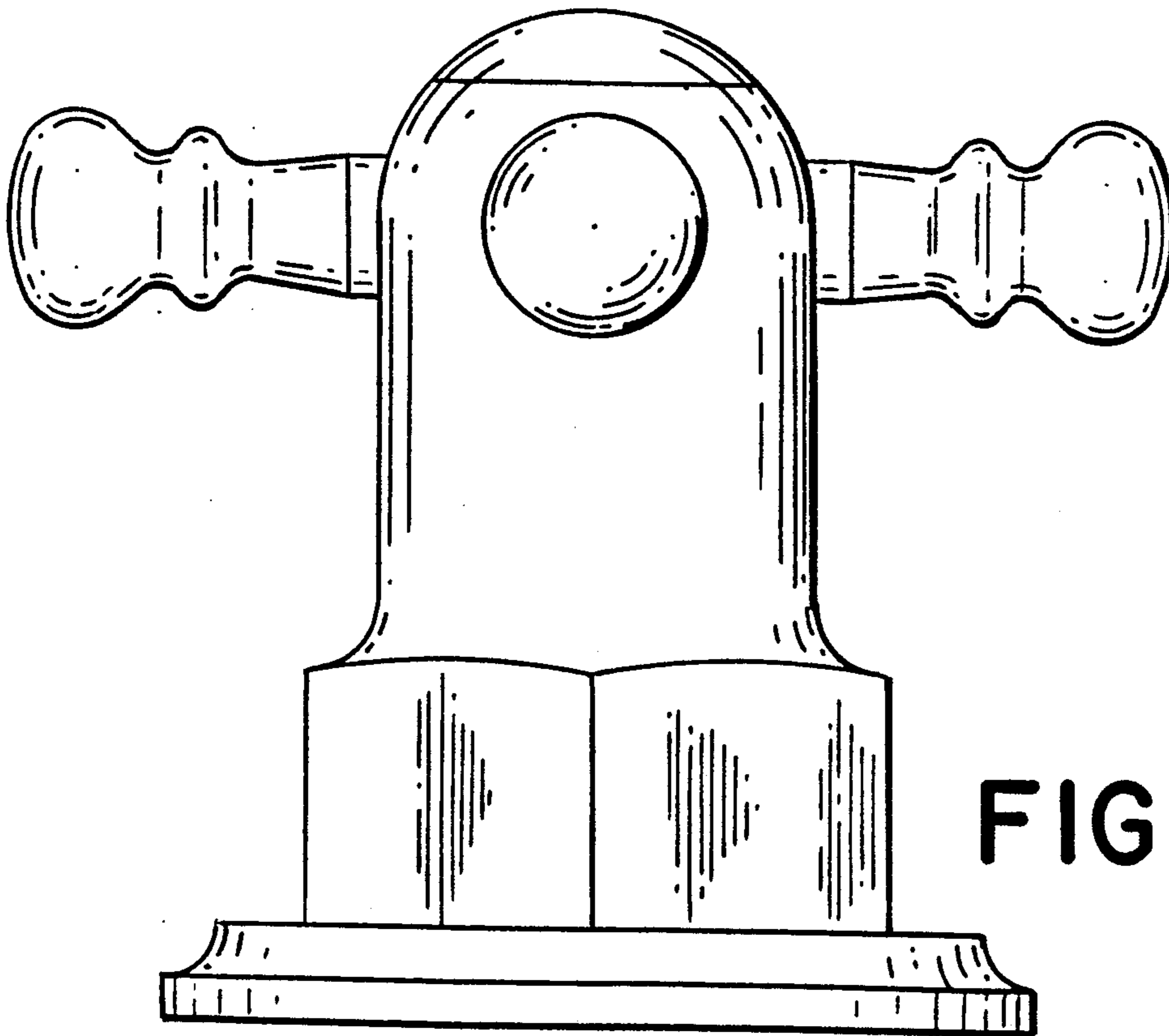


FIG\_4

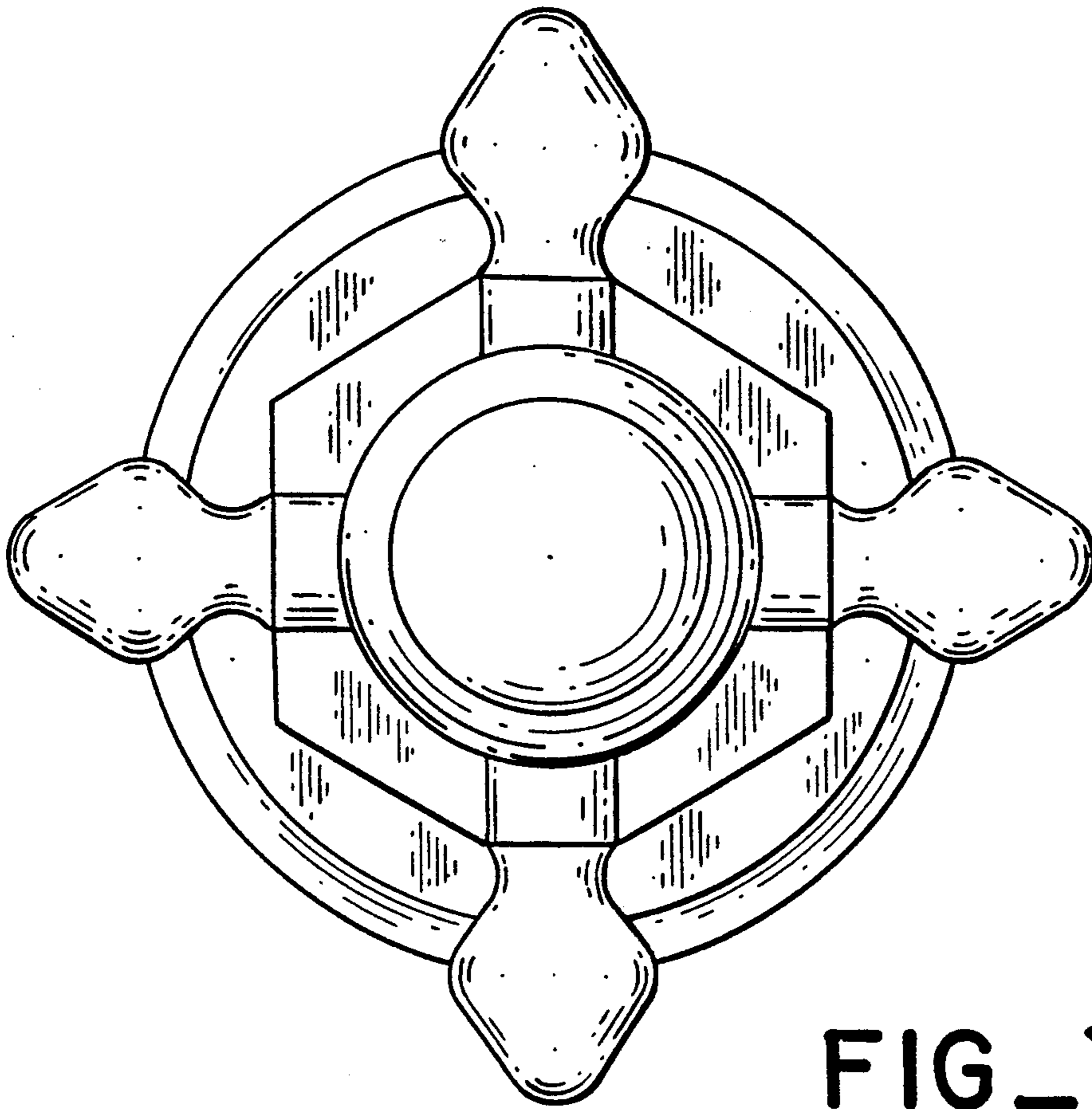




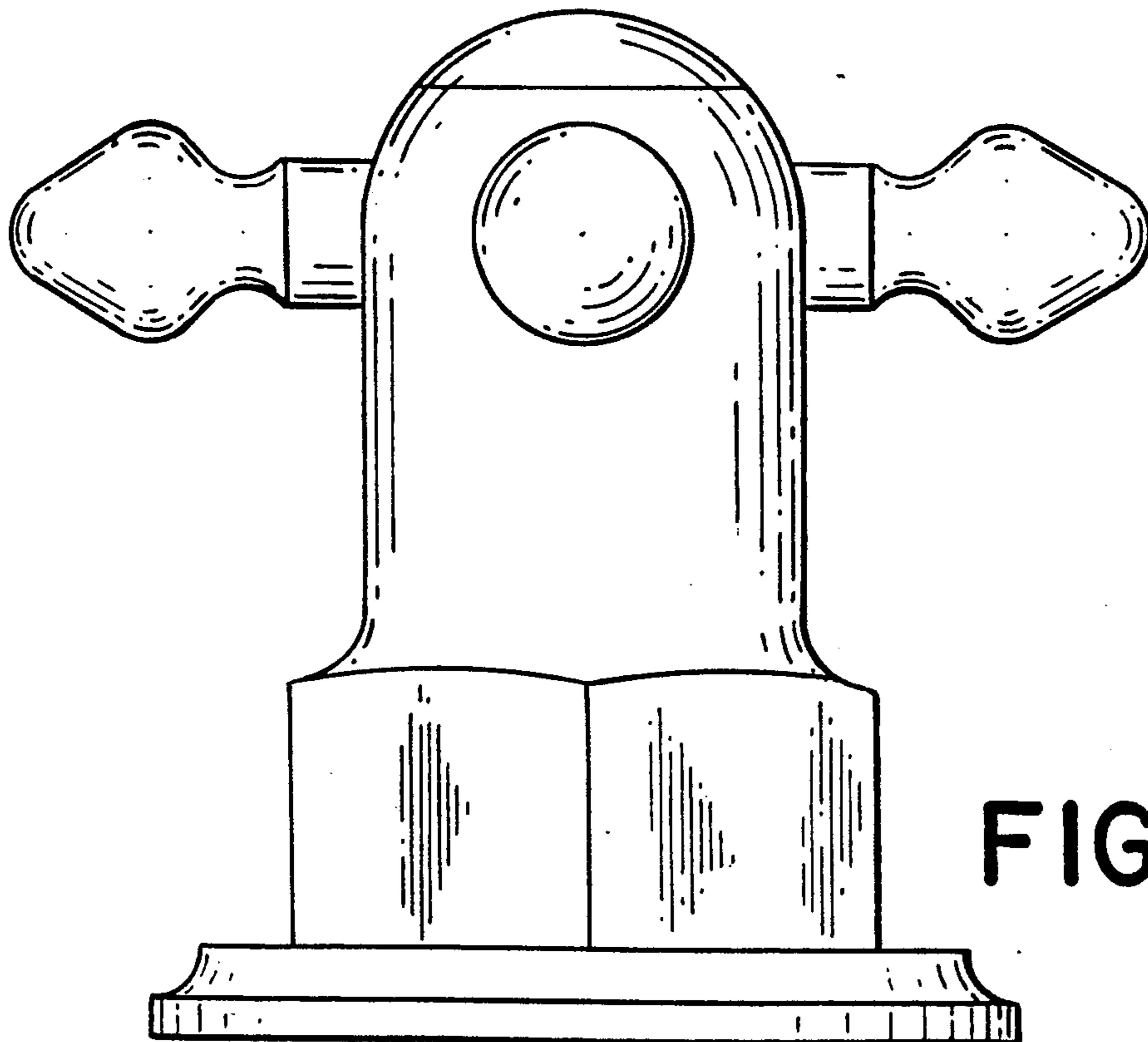
FIG\_5



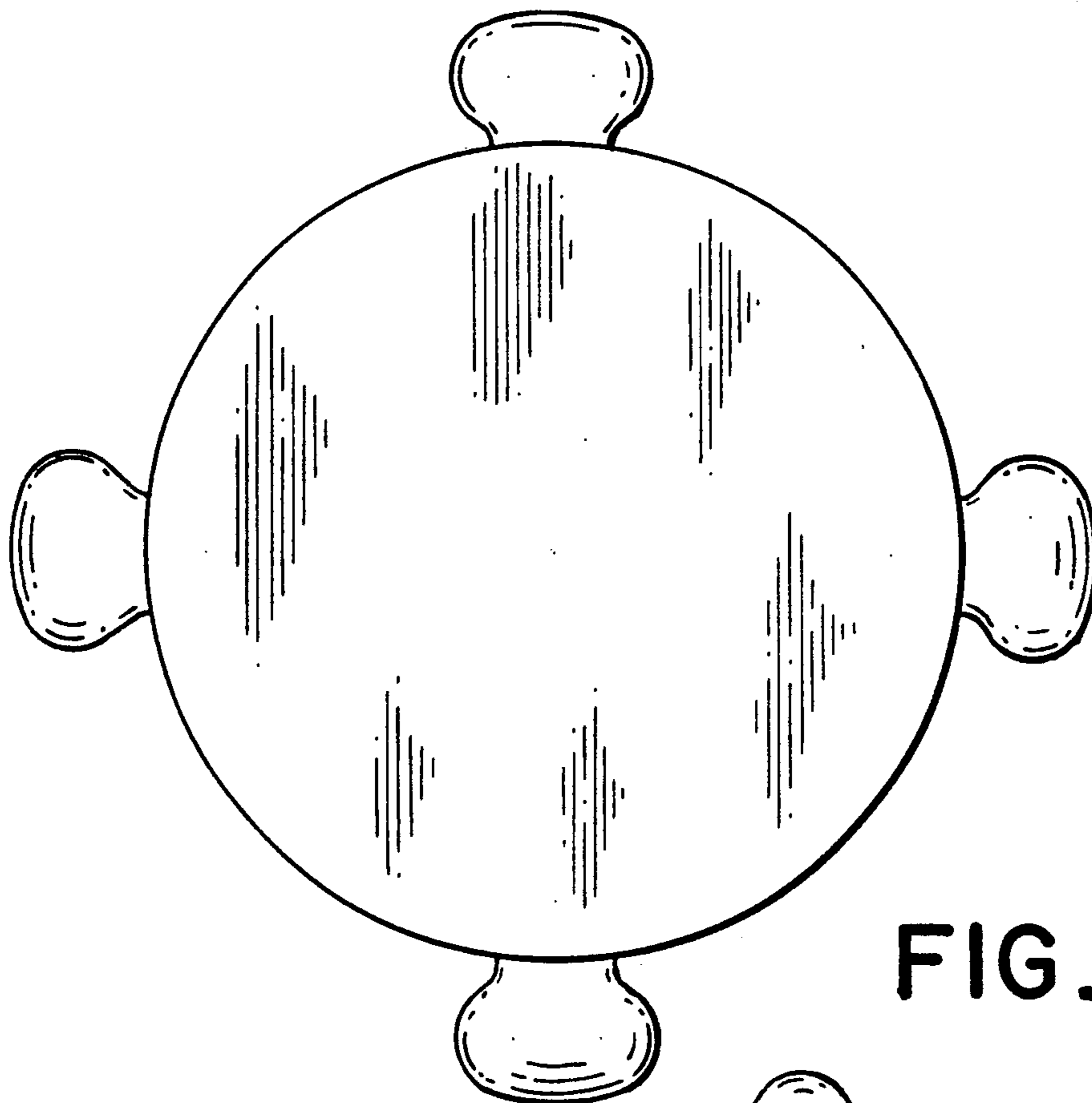
FIG\_6



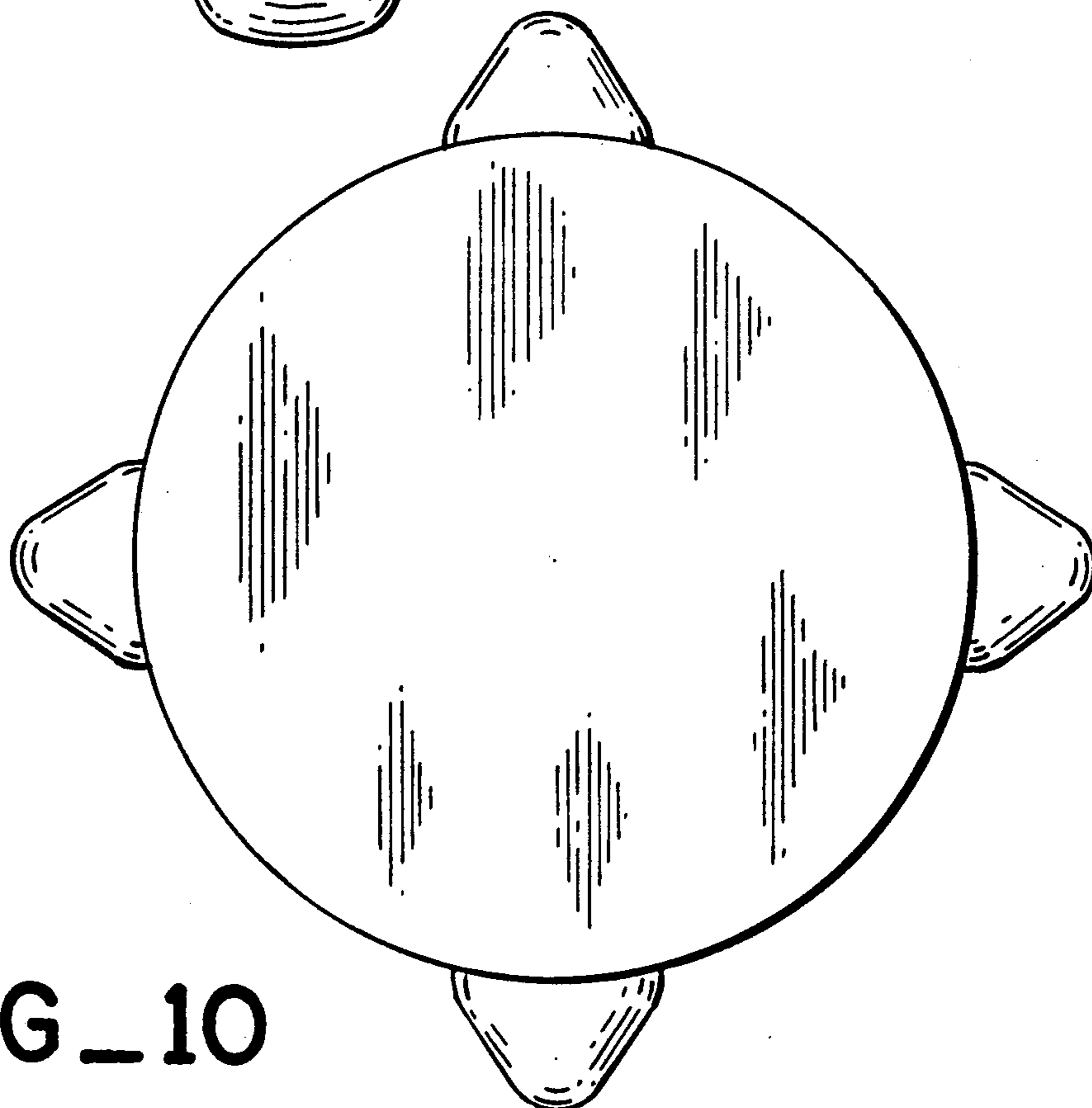
FIG\_7



FIG\_8



FIG\_9



FIG\_10