

[54] VALVE BODY PART

[75] Inventors: Jeffrey T. Jeromson, Willoughby; Peter C. Williams, Cleveland Heights, both of Ohio

[73] Assignee: Whitey Co., Highland Heights, Ohio

[\*\*] Term: 14 Years

[21] Appl. No.: 197,901

[22] Filed: May 24, 1988

[52] U.S. Cl. .... D23/233

[58] Field of Search ..... D23/233; 251/148; 137/876, 454.2, 315, 152

3,672,632	6/1972	Chow .....	137/454.2
3,674,052	7/1972	Hartman et al. ....	251/315
3,722,856	3/1973	Koch et al. ....	251/152
3,894,718	7/1975	Koch et al. ....	251/148
3,954,251	5/1976	Callahan et al. ....	251/148
3,981,482	9/1976	Callahan et al. ....	137/454.2
4,403,626	9/1983	Paul .....	137/887
4,887,644	12/1989	Jeromson et al. ....	137/876

Primary Examiner—James R. Largen  
Assistant Examiner—Demetrius Reynolds  
Attorney, Agent, or Firm—Fay, Sharpe, Beall, Fagan, Minnich & McKee

[57] CLAIM

The ornamental design for a valve body part, as shown.

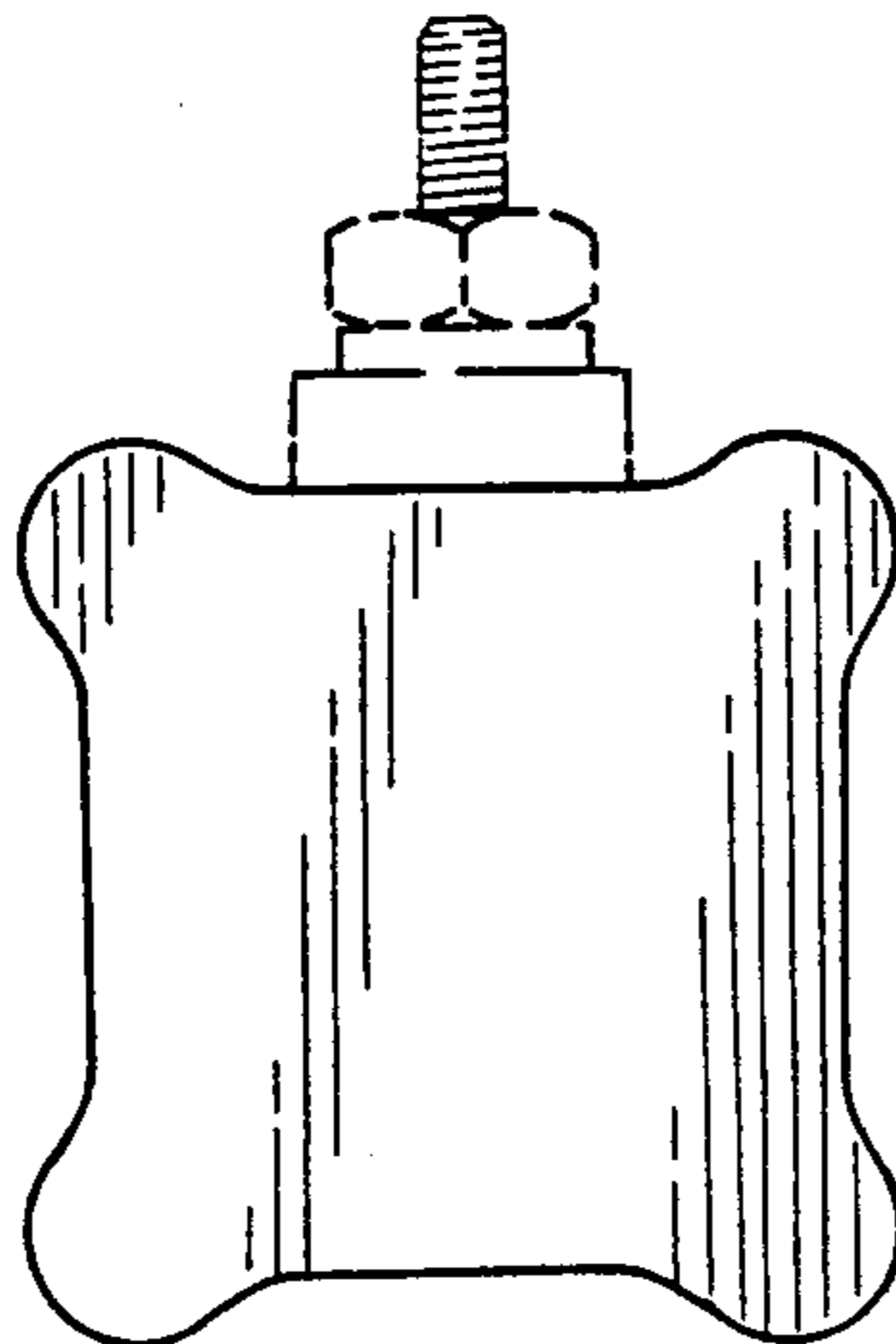
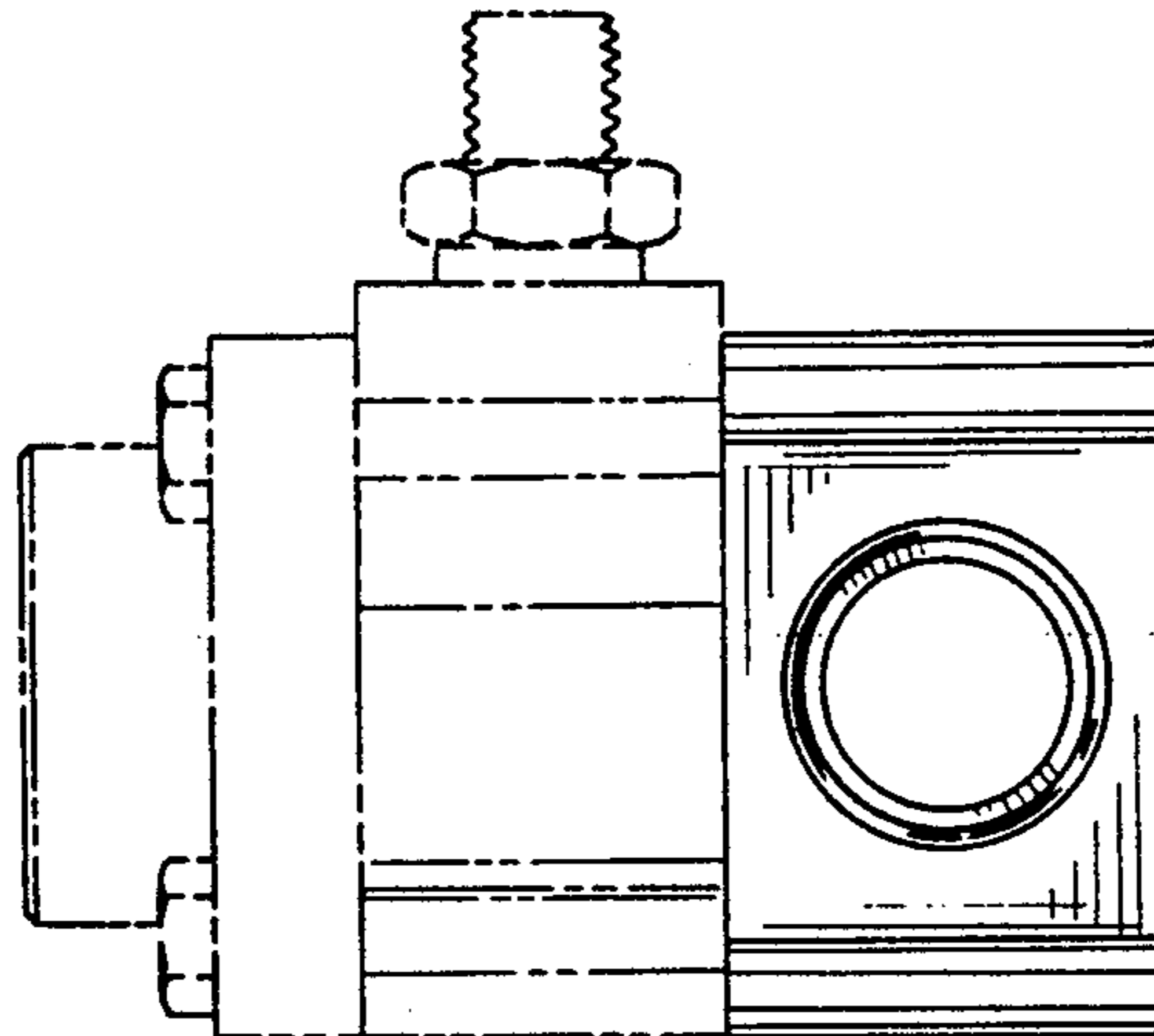
DESCRIPTION

FIG. 1 is a front elevational view of a valve body part showing our new design;  
FIG. 2 is a left-side elevational view thereof;  
FIG. 3 is a right-side elevational view thereof;  
FIG. 4 is a rear elevational view thereof;  
FIG. 5 is a top plan view thereof; and,  
FIG. 6 is a bottom plan view thereof.  
The broken line showing the remainder of the valve body in FIGS. 1 and 3 through 6 is for illustrative purposes only and forms no part of this claimed design.

[56] References Cited

U.S. PATENT DOCUMENTS

190,772	5/1877	Mansir .....	251/148
D. 297,256	8/1988	Schwarz .....	D23/233
715,425	12/1902	Schamp .....	251/148
750,582	1/1904	Brennan .....	251/148
3,072,139	1/1963	Mosites .....	137/454.2
3,401,914	9/1968	Shand .....	251/315
3,401,916	9/1968	Scaramucci .....	251/315
3,450,151	6/1969	Heutzenroeder .....	251/315
3,508,736	4/1970	Rhodes et al. ....	251/315
3,671,010	6/1972	Scaramucci .....	251/315



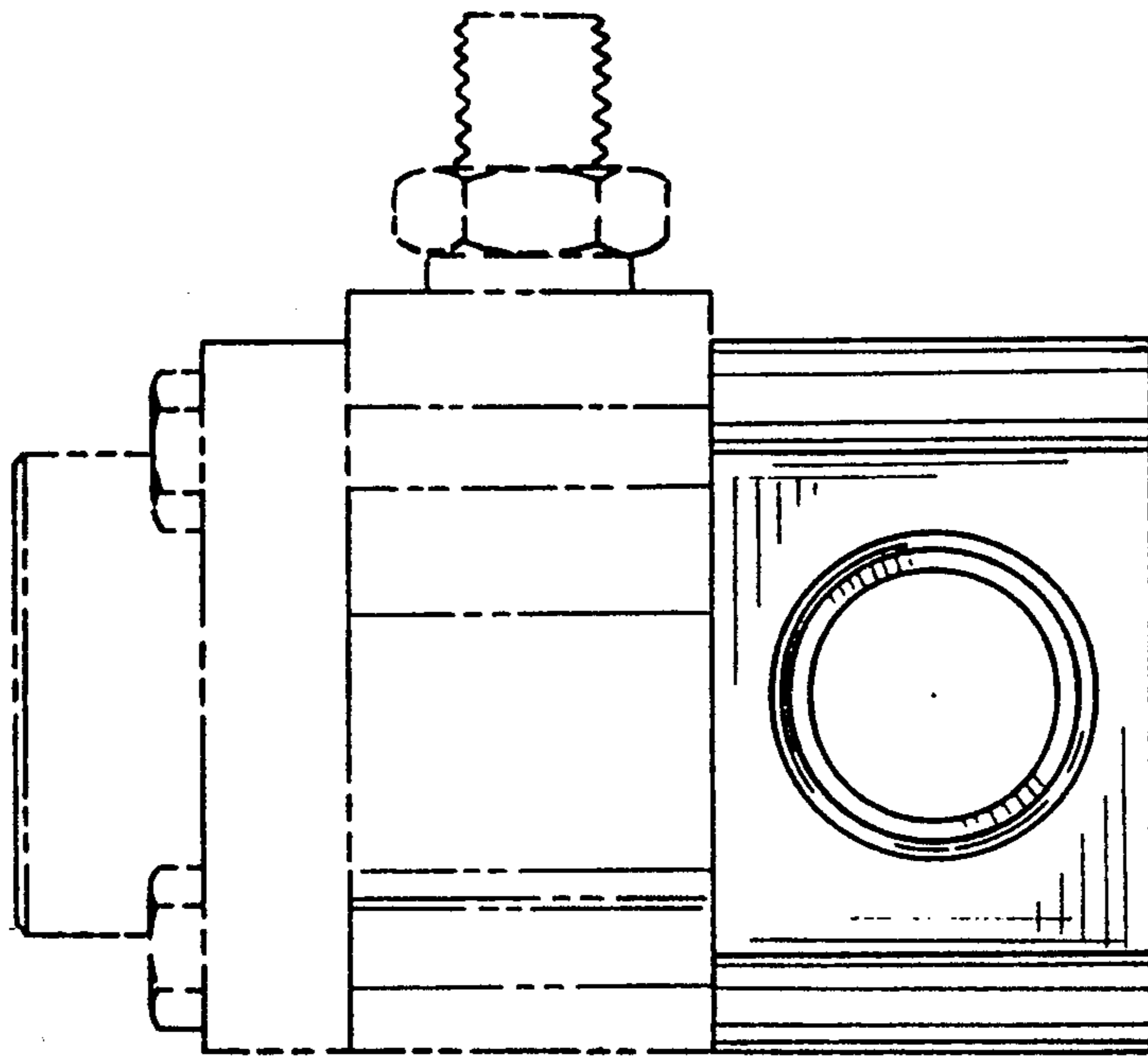


FIG. 1

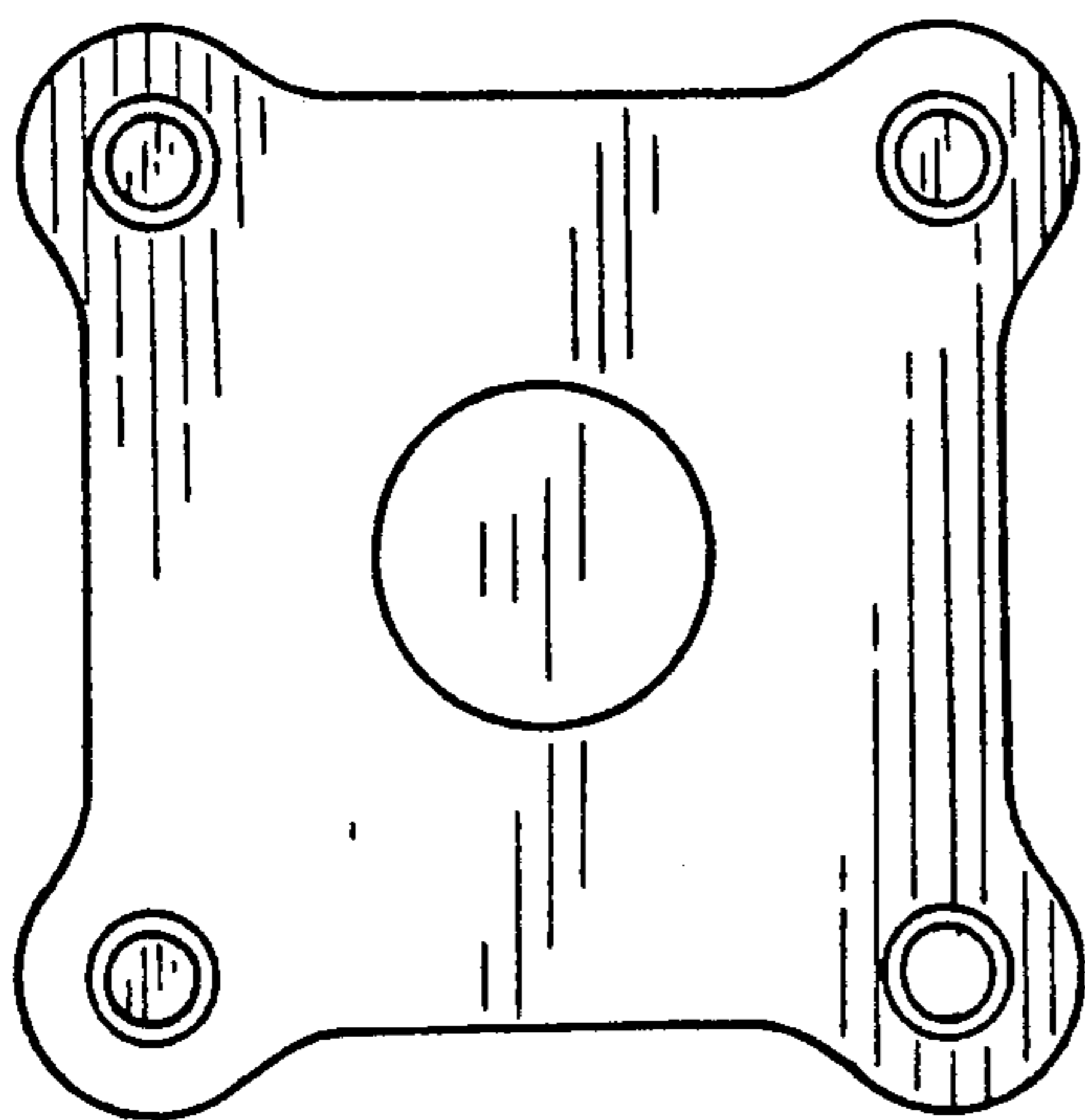


FIG. 2

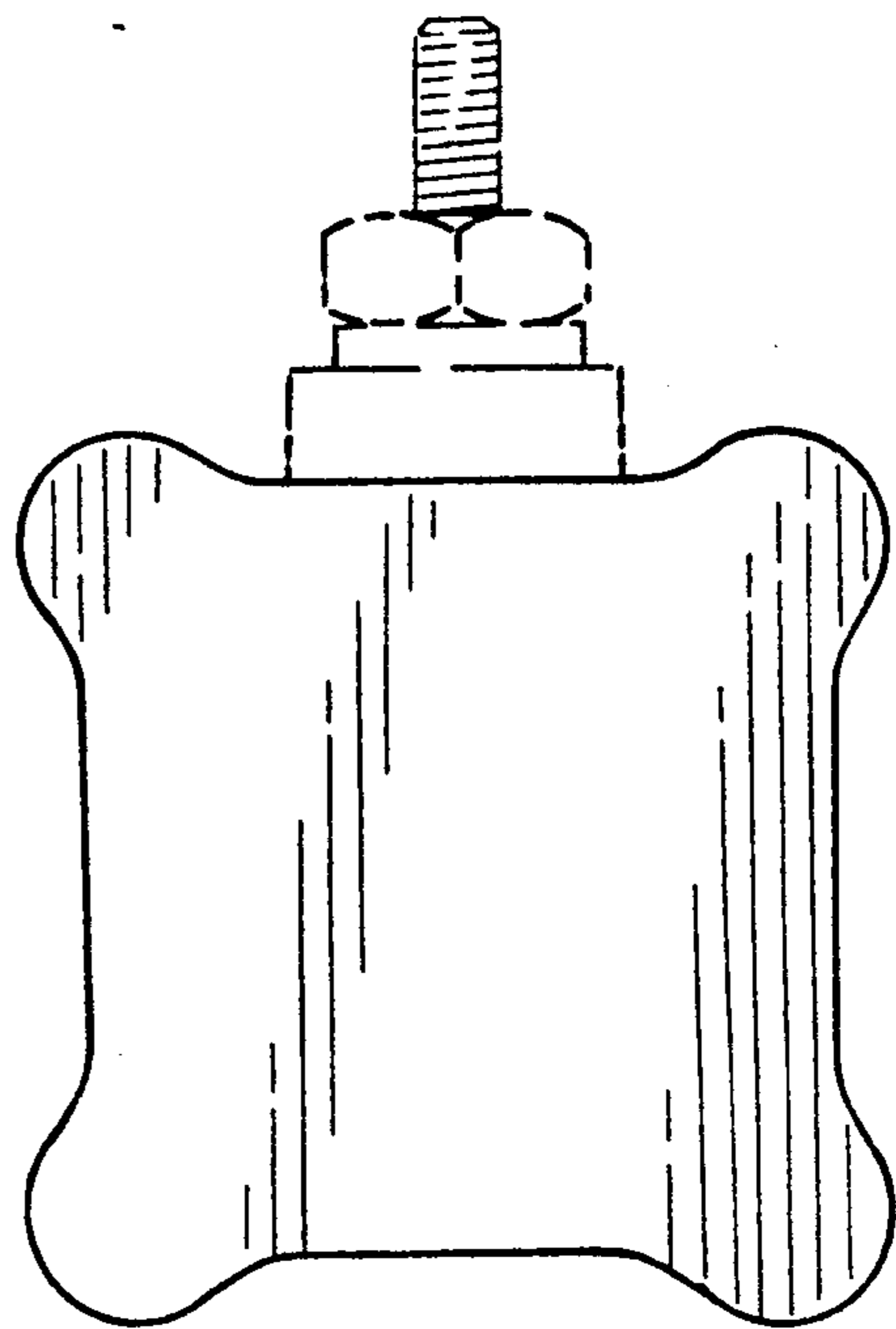


FIG. 3

FIG. 5

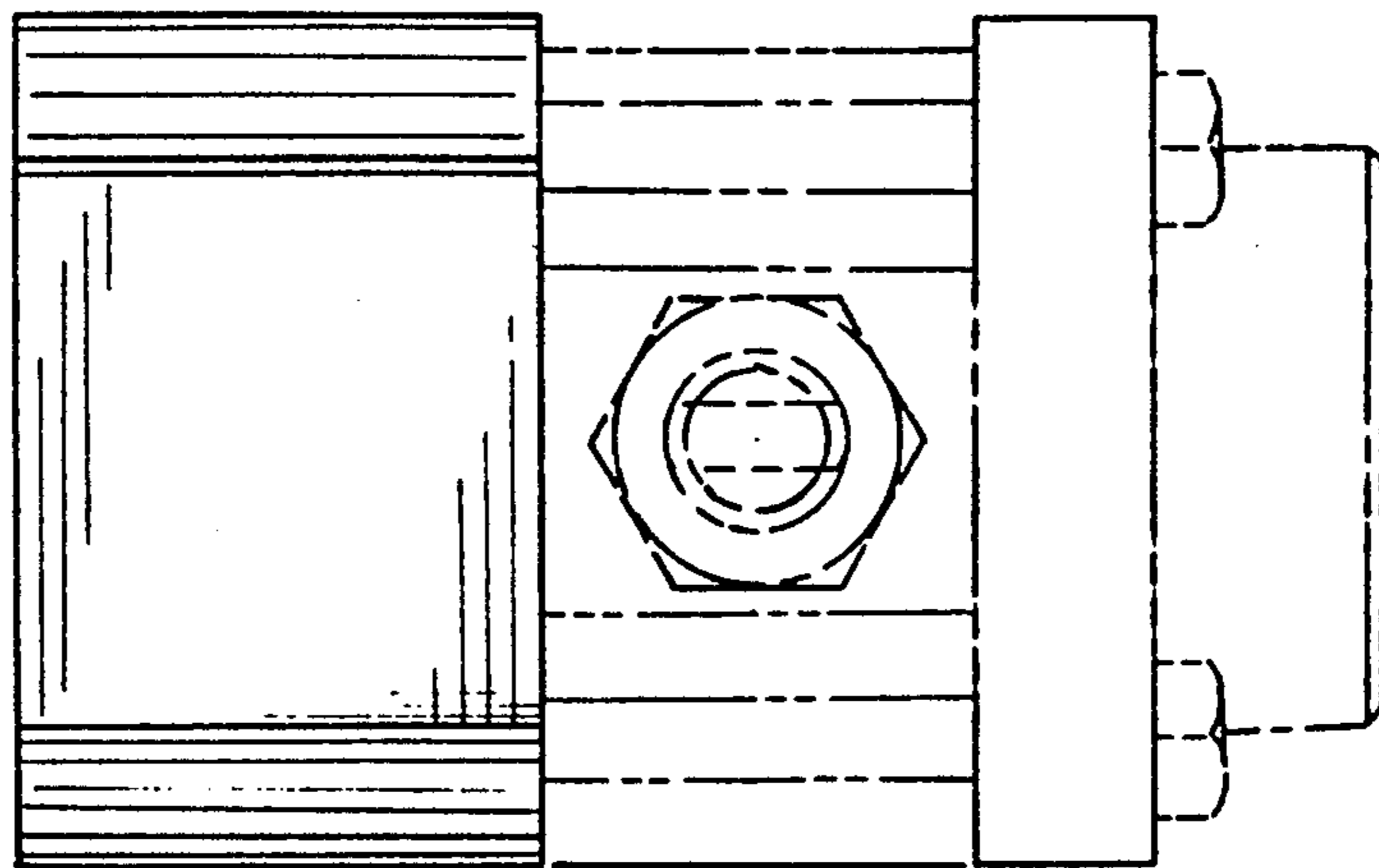


FIG. 4

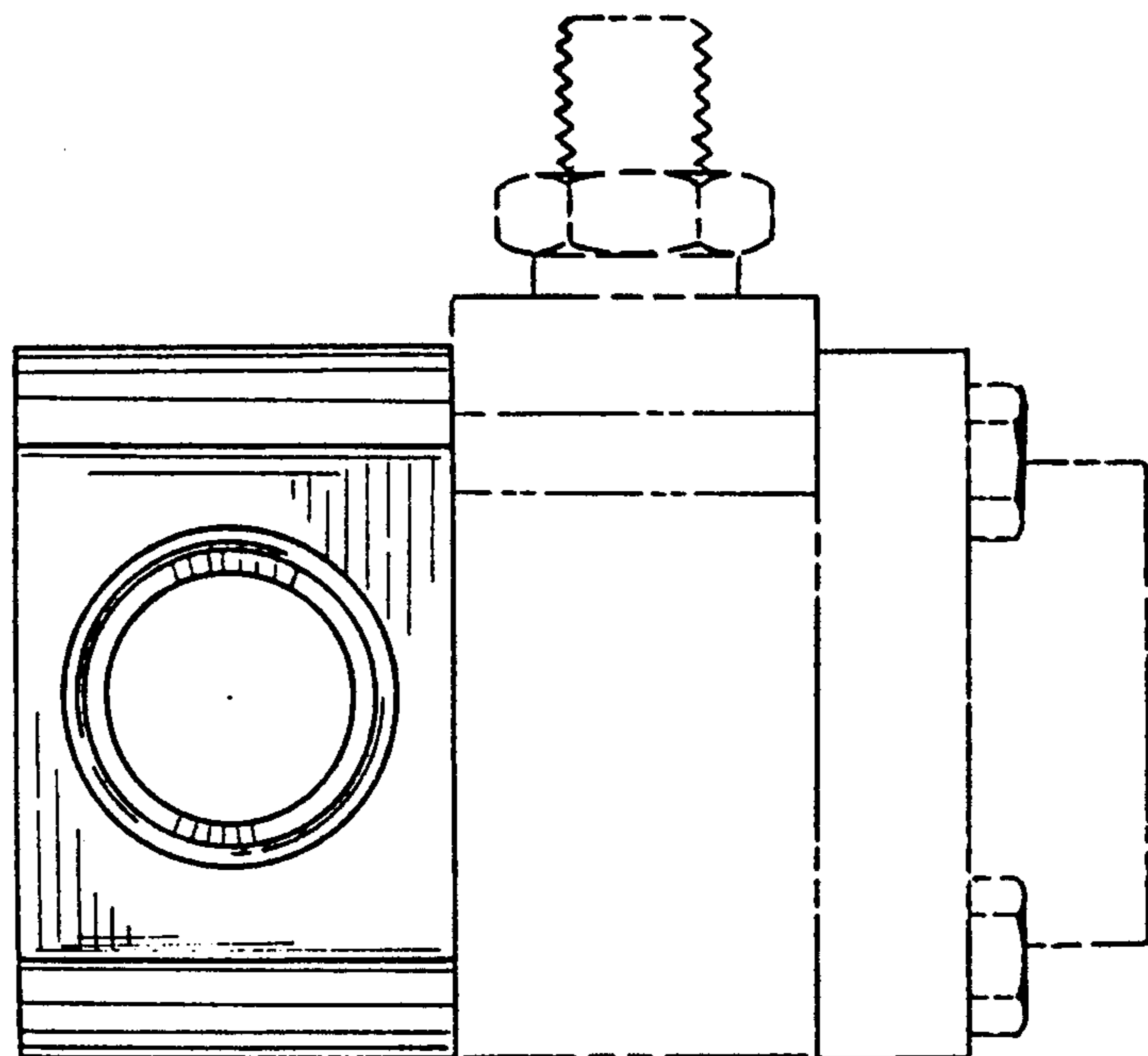


FIG. 6

