

[54] OIL FILTER CANNISTER

[76] Inventor: Robert A. Tomlinson, 28813 Farmersville Blvd., Farmersville, Calif. 93223

[\*\*] Term: 14 Years

[21] Appl. No.: 338,142

[22] Filed: Apr. 12, 1989

[52] U.S. Cl. .... D23/209

[58] Field of Search ..... D23/200, 207, 208, 209, D23/210; 210/136, 232, 234, 238, 282, 440, 444, 446, 447, 448, 449, 457, 198.1, 231, 241, 244-245, 257.1-257.2, 258, 260-261, 269, 275, 288-290, 295, 321.6, 321.78, 416.3

[56] References Cited

U.S. PATENT DOCUMENTS

D. 28,267	2/1898	Braun	.....	D23/209
D. 263,078	2/1982	Eddleman et al.	.....	D23/209 X
D. 294,167	2/1988	Meissner	.....	D23/209
3,334,754	8/1967	Kudlaty	.....	210/444
3,746,171	7/1973	Thomsen	.....	210/444 X
4,863,591	9/1989	Dionne	.....	210/445 X

OTHER PUBLICATIONS

FIG. 1 is a top perspective view of an oil filter cannister showing my new design;  
FIG. 2 is a front elevational view thereof, the rear view being identical;  
FIG. 3 is a side elevational view thereof, the opposite side being identical;  
FIG. 4 is a top plan view thereof;  
FIG. 5 is a bottom plan view thereof.

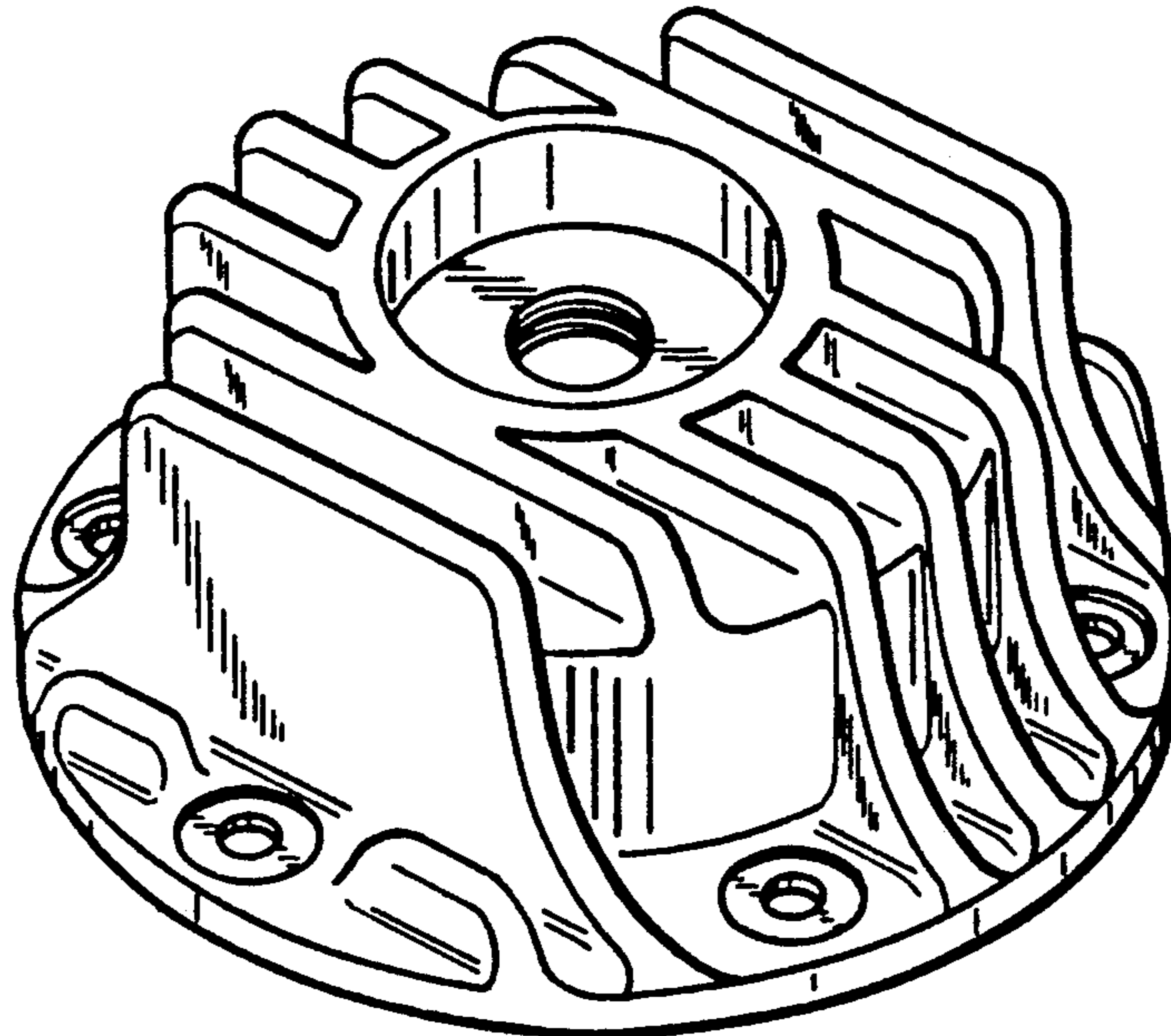
Primary Examiner—Susan J. Lucas  
Assistant Examiner—M. H. Tung  
Attorney, Agent, or Firm—Bruce & McCoy

[57] CLAIM

The ornamental design for a oil filter cannister, as shown and described.

DESCRIPTION

FIG. 1 is a top perspective view of a magnetic water conditioner showing our new design;  
FIG. 2 is an exploded top perspective view thereof;  
FIG. 3 is a left side elevational view thereof, the right side being a mirror image;  
FIG. 4 is a front elevational view thereof, the rear being a mirror image; and  
FIG. 5 is a bottom perspective view thereof.



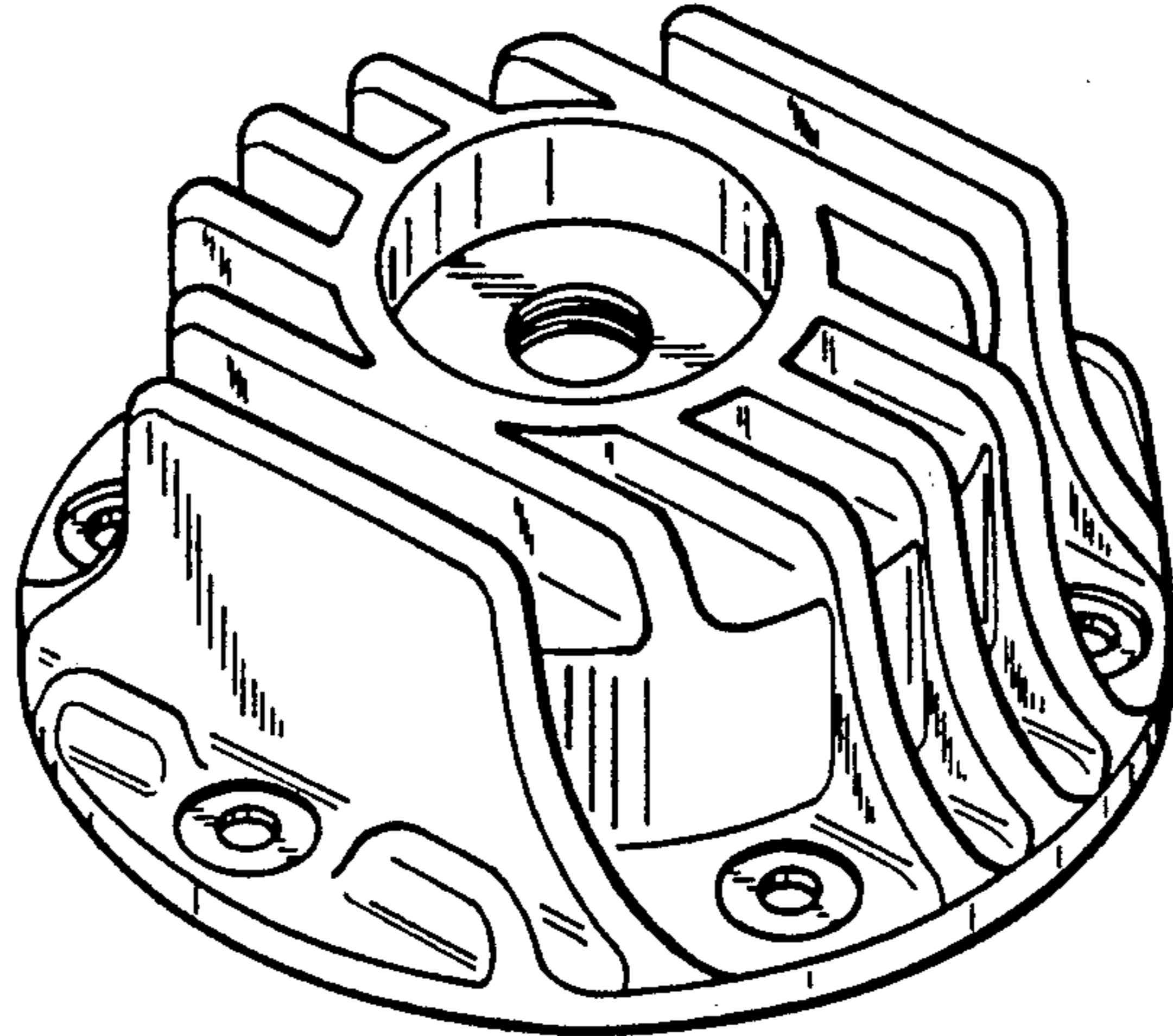


FIG. 1.

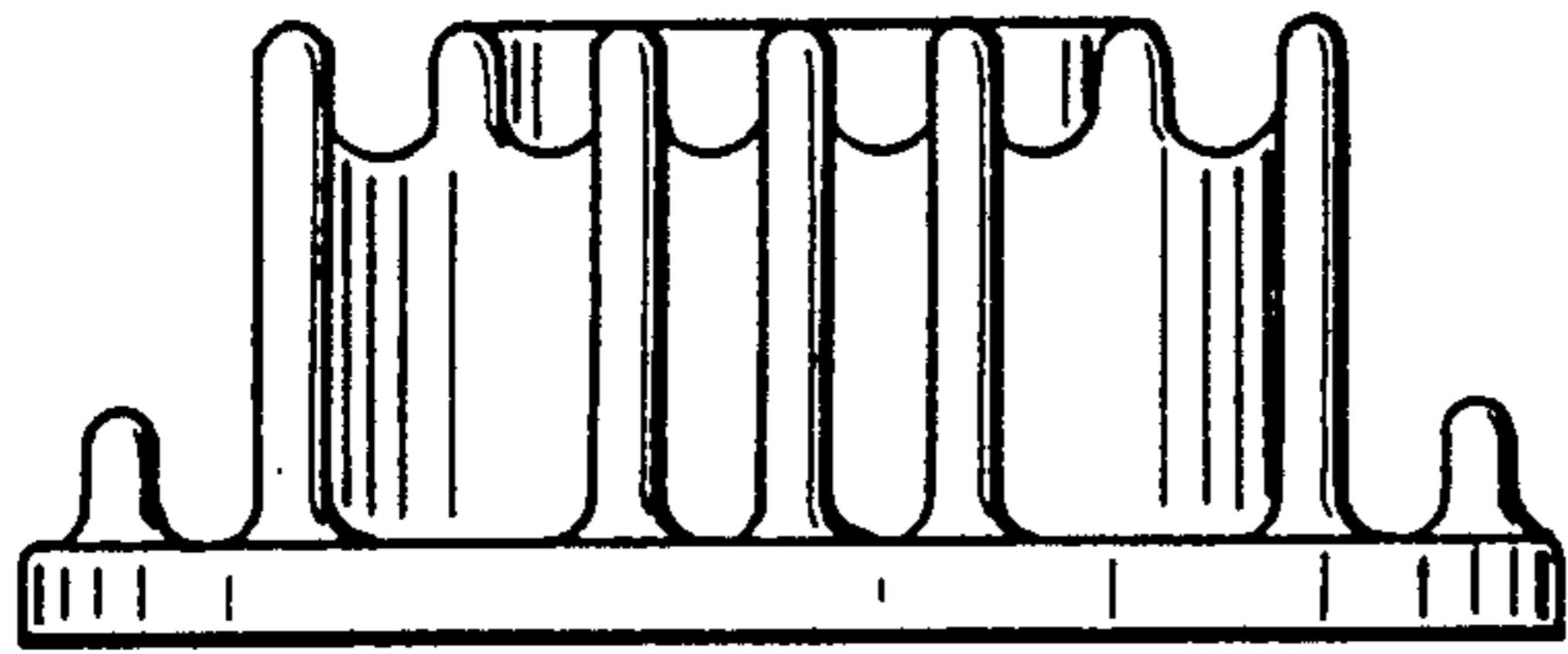


FIG. 2.

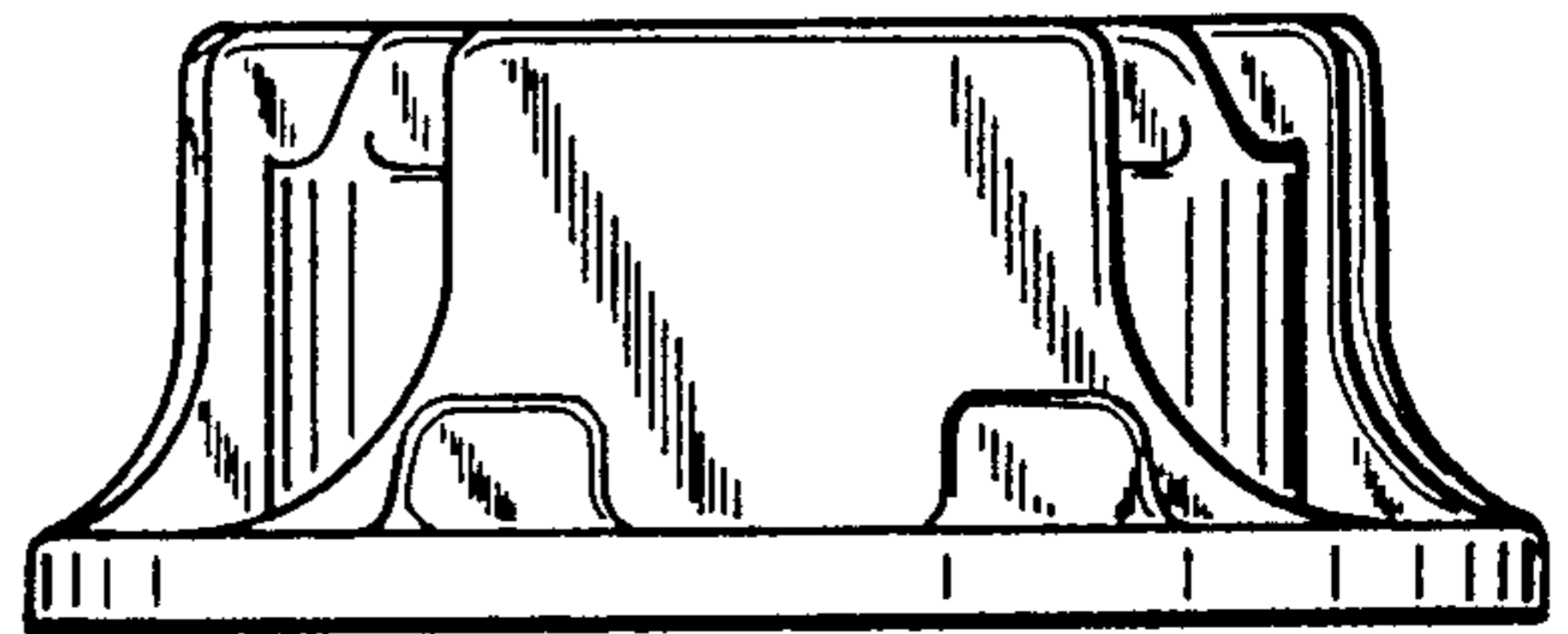


FIG. 3.

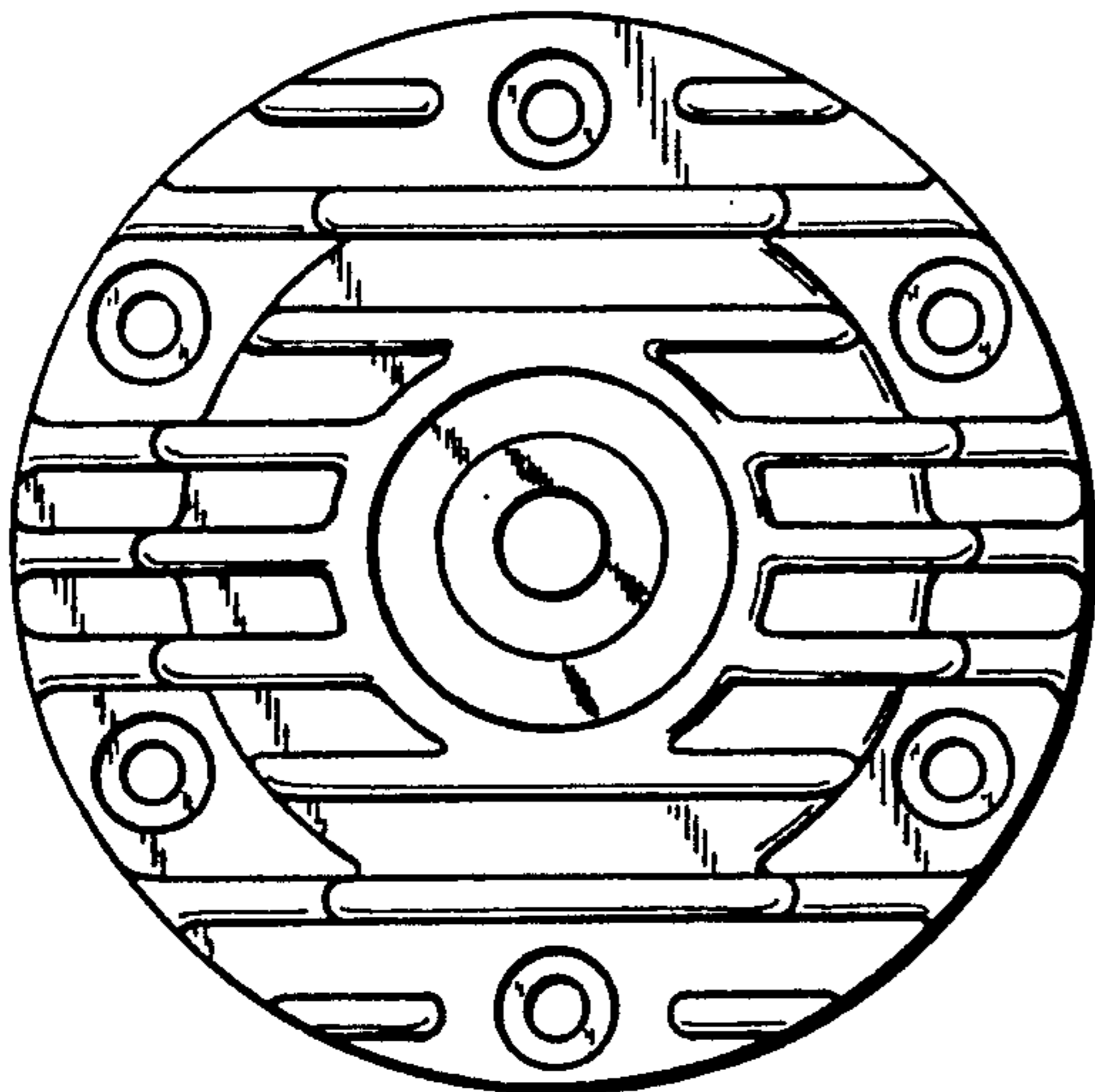


FIG. 4.

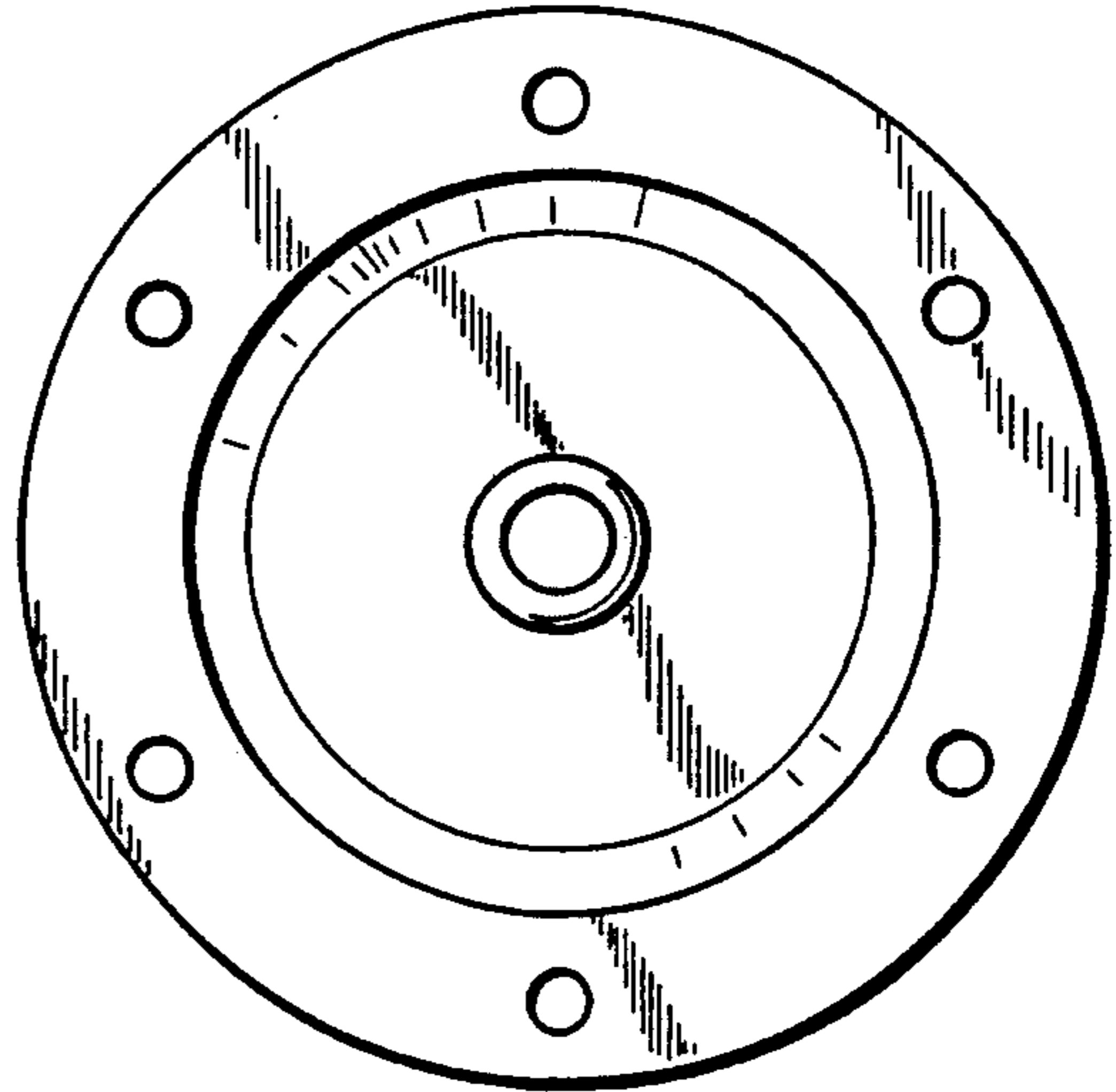


FIG. 5.

UNITED STATES PATENT AND TRADEMARK OFFICE  
CERTIFICATE OF CORRECTION

PATENT NO. : Des. 317,814

DATED : June 25, 1991

INVENTOR(S) : Robert A. Tomlinson

It is certified that error appears in the above—identified patent and that said Letters Patent is hereby corrected as shown below:

Delete entirely the section entitled "Other Publications".

In the Claim, change the word "a" to --an--.

Delete existing Description, and insert the following:

DESCRIPTION

FIG. 1 is a top perspective view of an oil filter cannister showing my new design;

FIG. 2 is a front elevational view thereof, the rear view being identical;

FIG. 3 is a side elevational view thereof, the opposite side being identical;

FIG. 4 is a top plan view thereof; and

FIG. 5 is a bottom plan view thereof.

**Signed and Sealed this  
Nineteenth Day of May, 1992**

*Attest:*

DOUGLAS B. COMER

*Attesting Officer*

*Acting Commissioner of Patents and Trademarks*