

United States Patent [19]
Rightnour

[11] **Patent Number: Des. 317,810**
[45] **Date of Patent: ** Jun. 25, 1991**

[54] **RIFLE SLING ATTACHING CLAMP**
[76] **Inventor: Robert W. Rightnour, Box 107, Sue St. Mingoville, Pa. 16856**
[**] **Term: 14 Years**
[21] **Appl. No.: 210,615**
[22] **Filed: Jun. 23, 1988**
[52] **U.S. Cl. D22/108**
[58] **Field of Search D22/108; 43/25.2; 224/150, 913, 267, 255, 257, 205, 258; 33/250; 42/85, 86; D8/382**

4,691,852 9/1987 Phelps 224/913 X
4,823,491 4/1989 Llames 42/85

FOREIGN PATENT DOCUMENTS

500607 3/1954 Canada 33/250

Primary Examiner—A. Hugo Word
Assistant Examiner—Doris V. Coles
Attorney, Agent, or Firm—Daniel DeJoseph

[57] **CLAIM**

The ornamental design for a rifle sling attaching clamp, as shown and described.

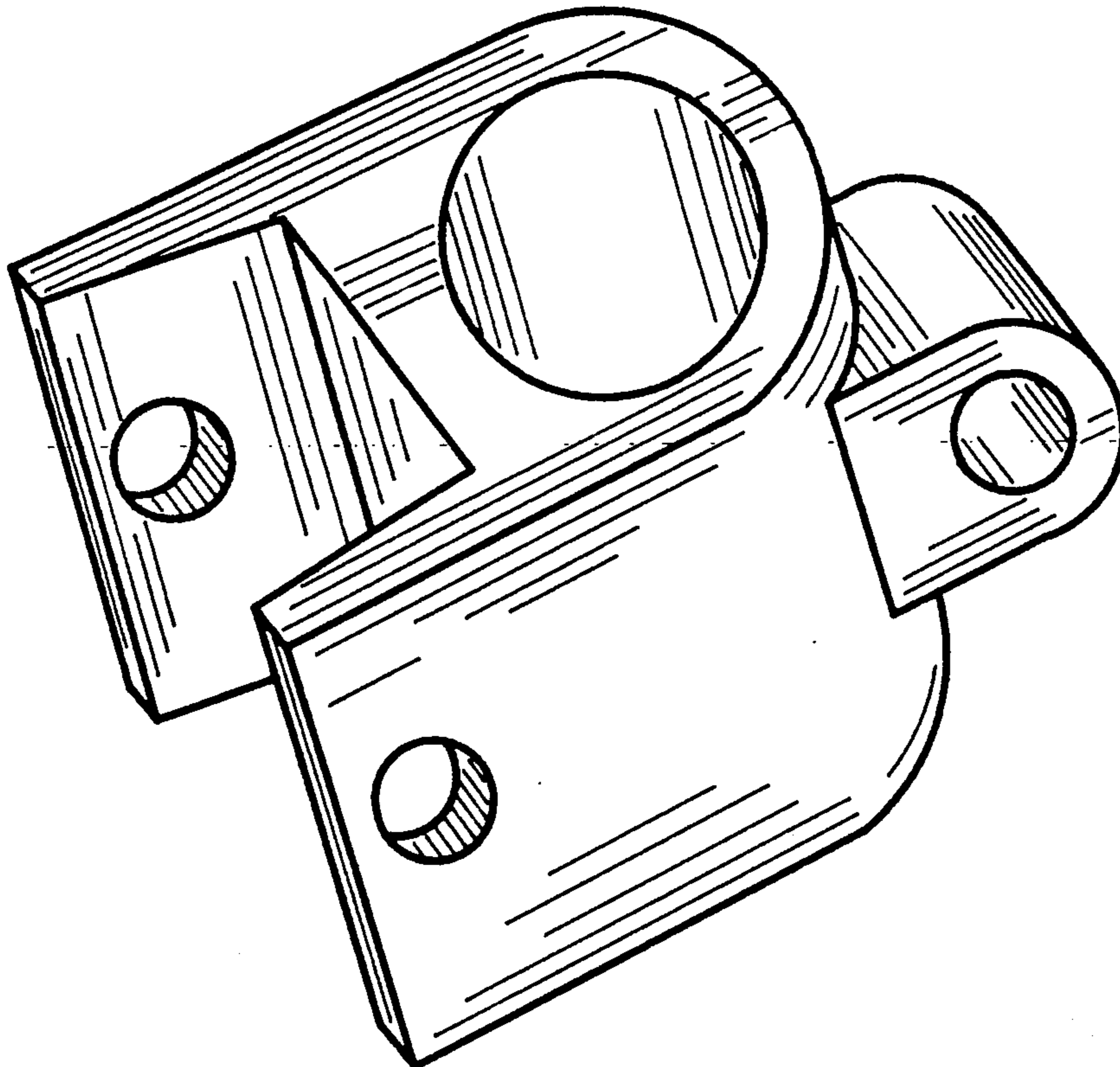
[56] **References Cited**

U.S. PATENT DOCUMENTS

2,696,059	12/1954	Judd	42/85
3,557,485	1/1971	Williams	42/85
3,715,827	2/1973	McKinzie	42/85
4,454,675	6/1984	Ives	42/85
4,505,012	3/1985	Johnson	42/85

DESCRIPTION

FIG. 1 is a front elevational view of a rifle sling attaching clamp, showing my new design, the rear being a mirror image thereof;
FIG. 2 is a side elevational view, the opposite side being a mirror image thereof; and
FIG. 3 is a perspective view thereof.



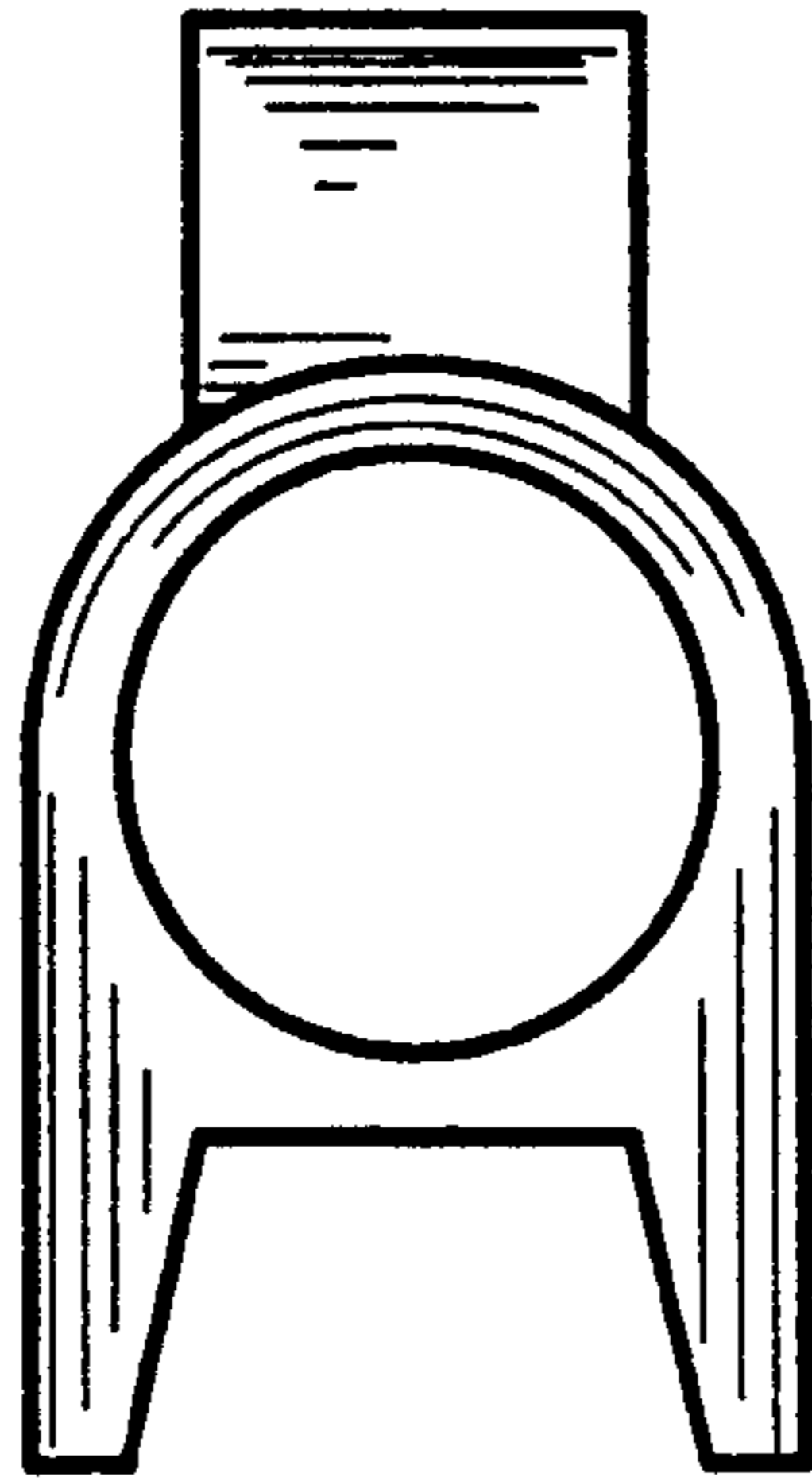


FIG. 1

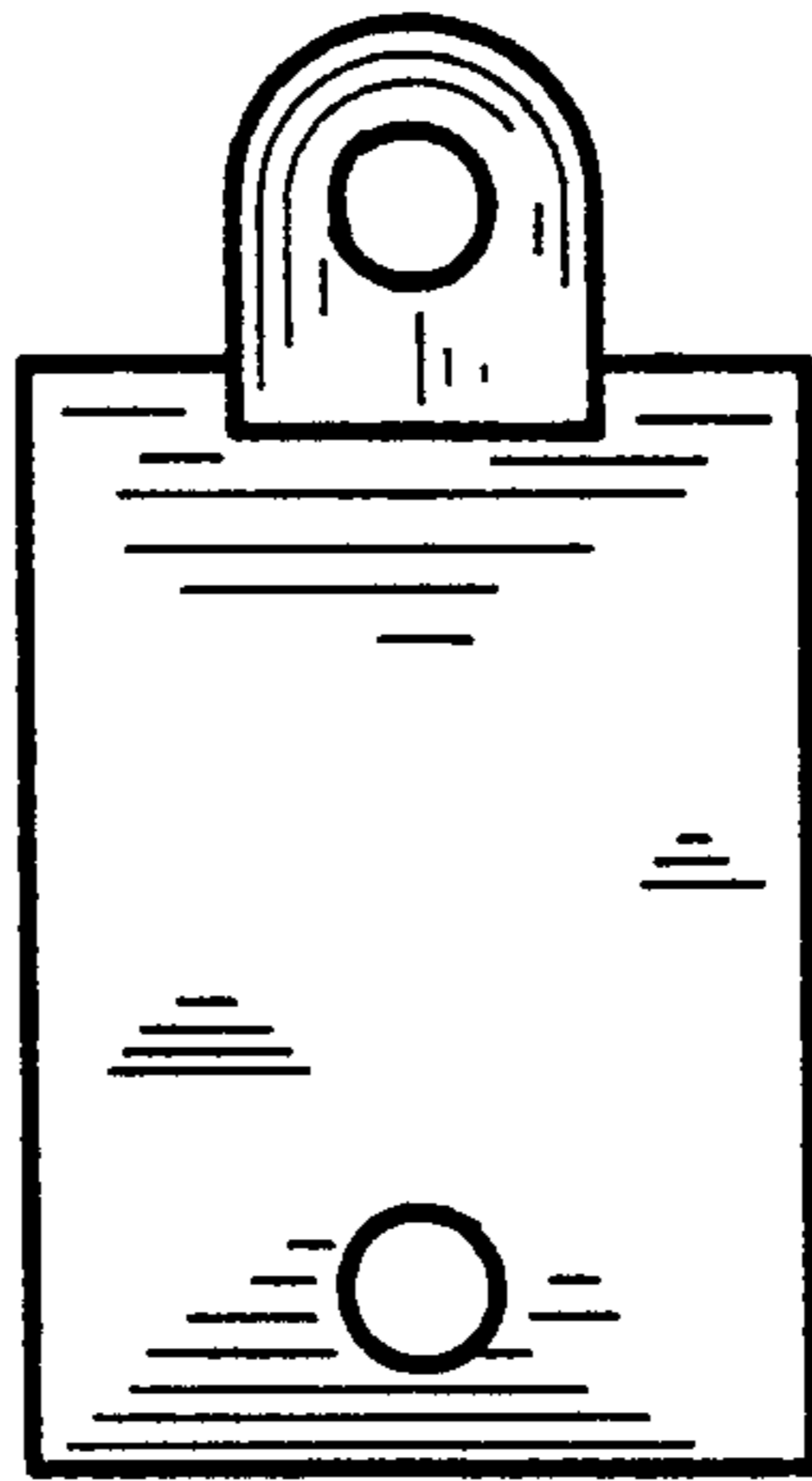


FIG. 2

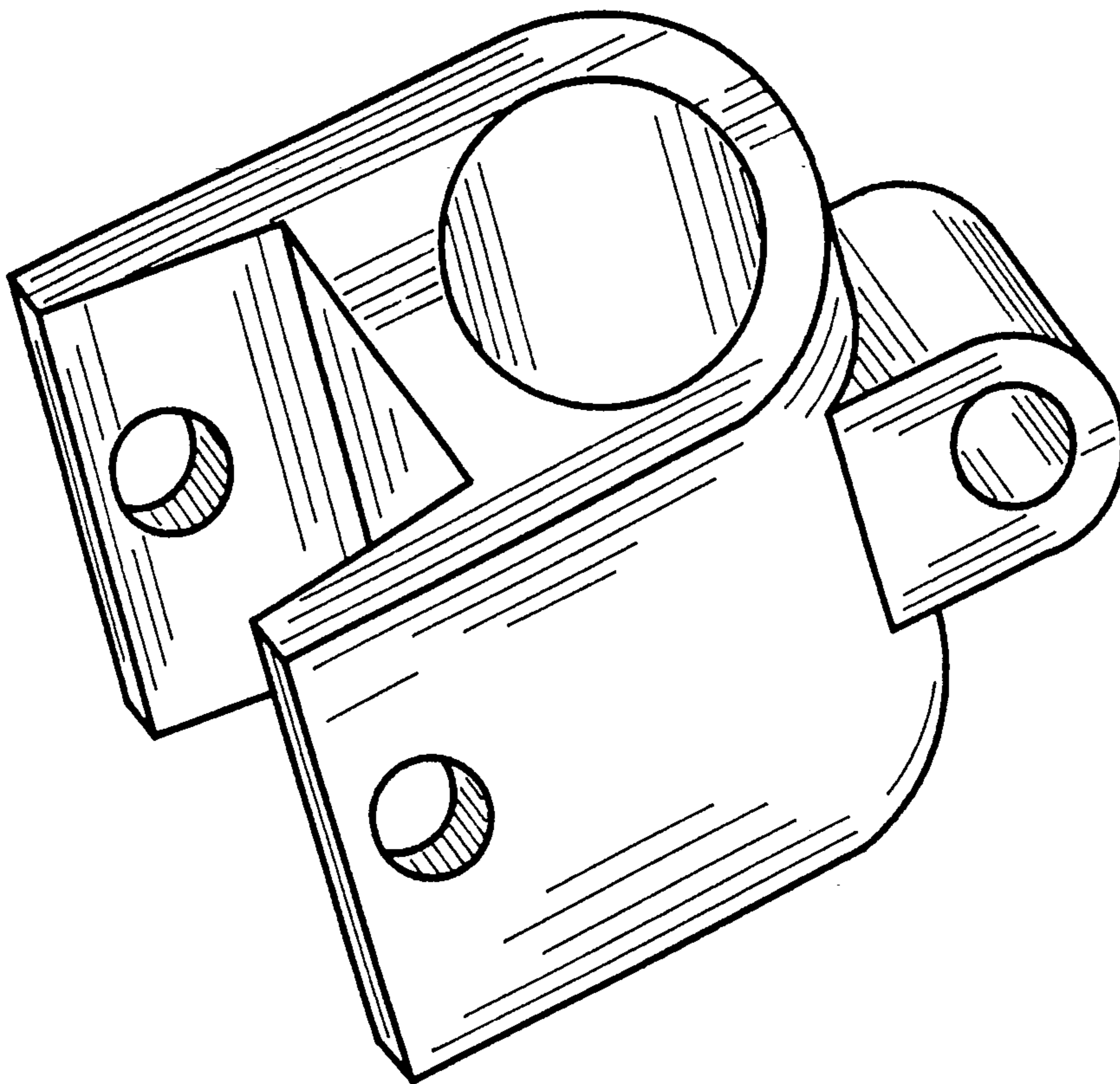


FIG. 3