

United States Patent [19]

Adams

[11] Patent Number: **Des. 317,807**

[45] Date of Patent: **** Jun. 25, 1991**

[54] **GOLF PUTTER HEAD**

[76] Inventor: **Peter E. Adams**, 38 Meernaa Ave.,
Fairfax, Calif. 94930

[**] Term: **14 Years**

[21] Appl. No.: **241,567**

[22] Filed: **Sep. 8, 1988**

[52] U.S. Cl. **D21/219**

[58] Field of Search **D21/214-220;**
273/164, 167-175

[56] **References Cited**

U.S. PATENT DOCUMENTS

D. 225,118 11/1972 Susilovich D21/217
D. 232,371 8/1974 Becker D21/219
D. 262,984 2/1982 Jeghers D21/217

D. 282,480 2/1986 Reynolds, Jr. D21/219
4,253,667 3/1981 Clark et al. 273/171
4,741,535 3/1988 Leonhardt 273/164

Primary Examiner—Melvin B. Feifer
Attorney, Agent, or Firm—Larry D. Johnson

[57] **CLAIM**

The ornamental design for a golf putter head, as shown.

DESCRIPTION

FIG. 1 is a perspective view of a golf putter head showing my new design;

FIG. 2 is a right side elevational view thereof;

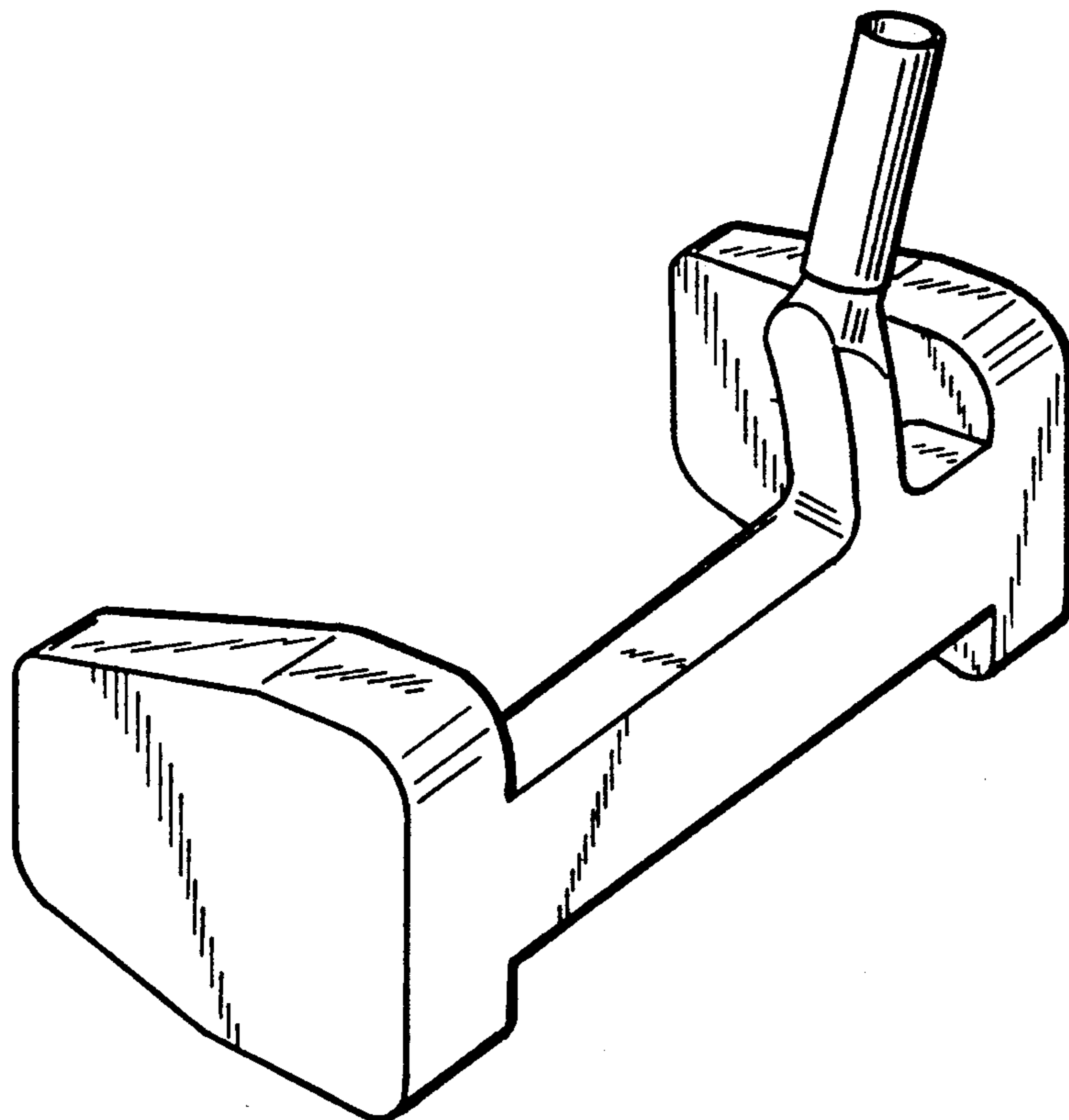
FIG. 3 is a front elevational view thereof;

FIG. 4 is a top plan view thereof;

FIG. 5 is a left side elevational view thereof;

FIG. 6 is a rear elevational view; and

FIG. 7 is a bottom plan view thereof.



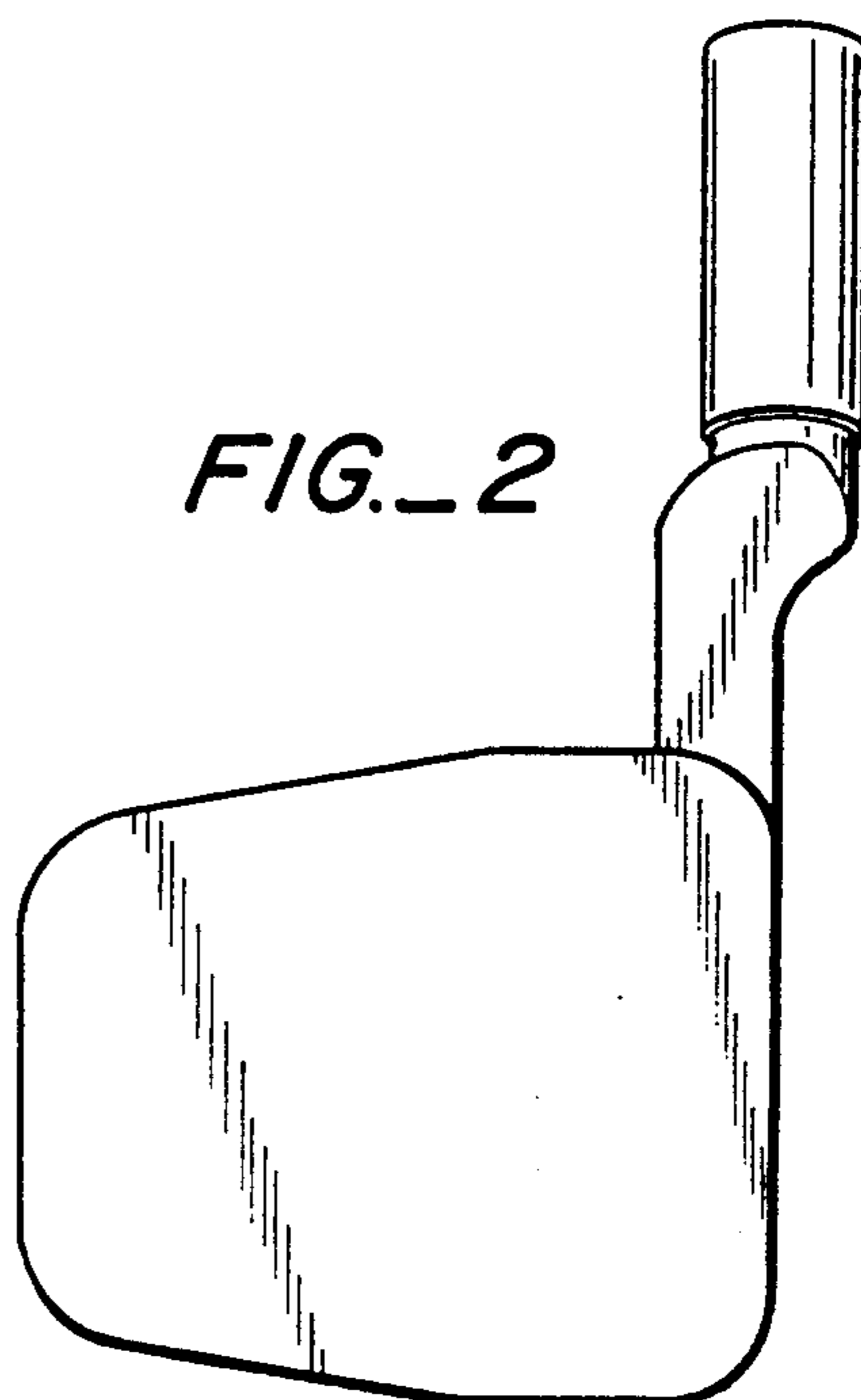
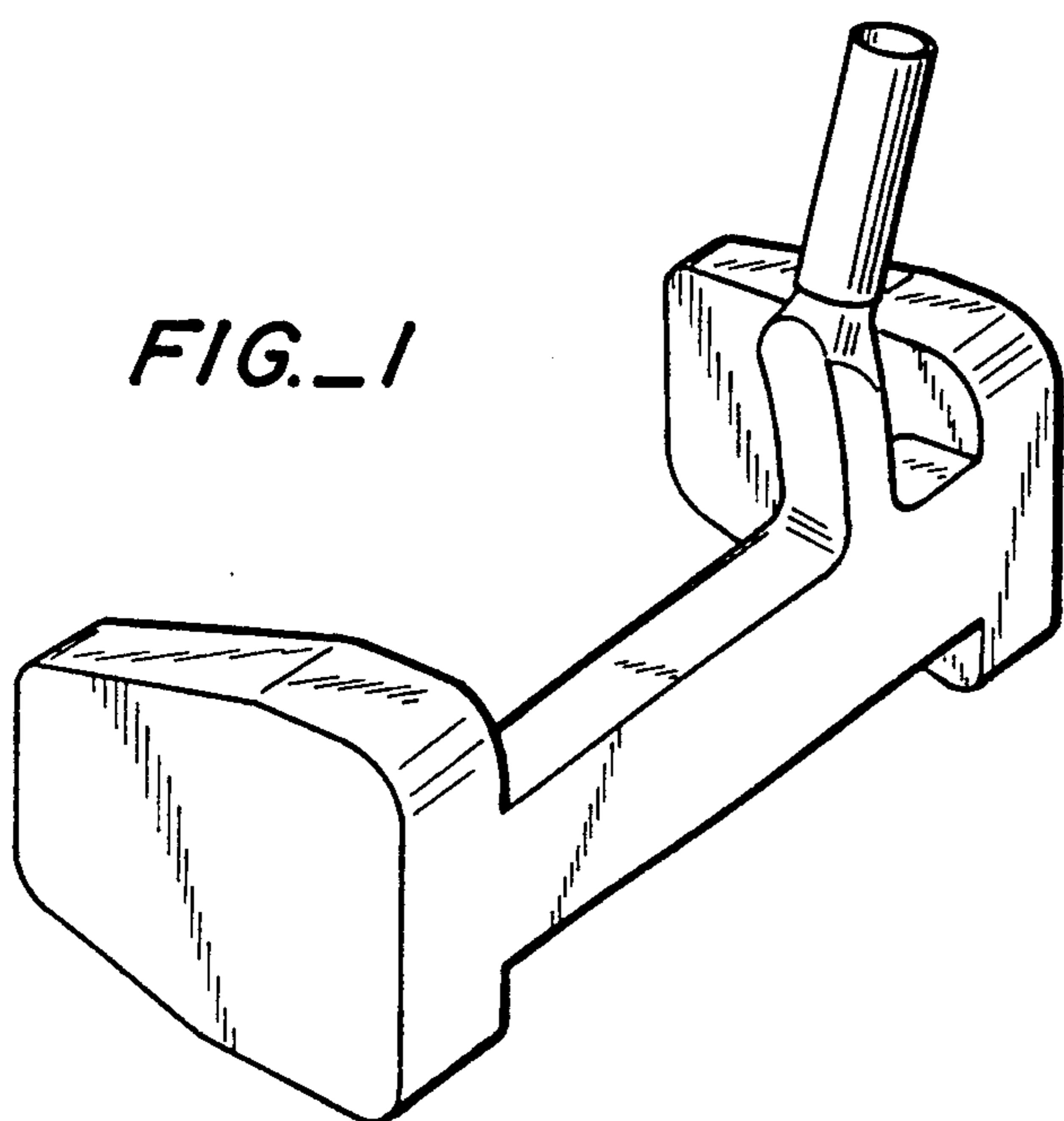


FIG. 3

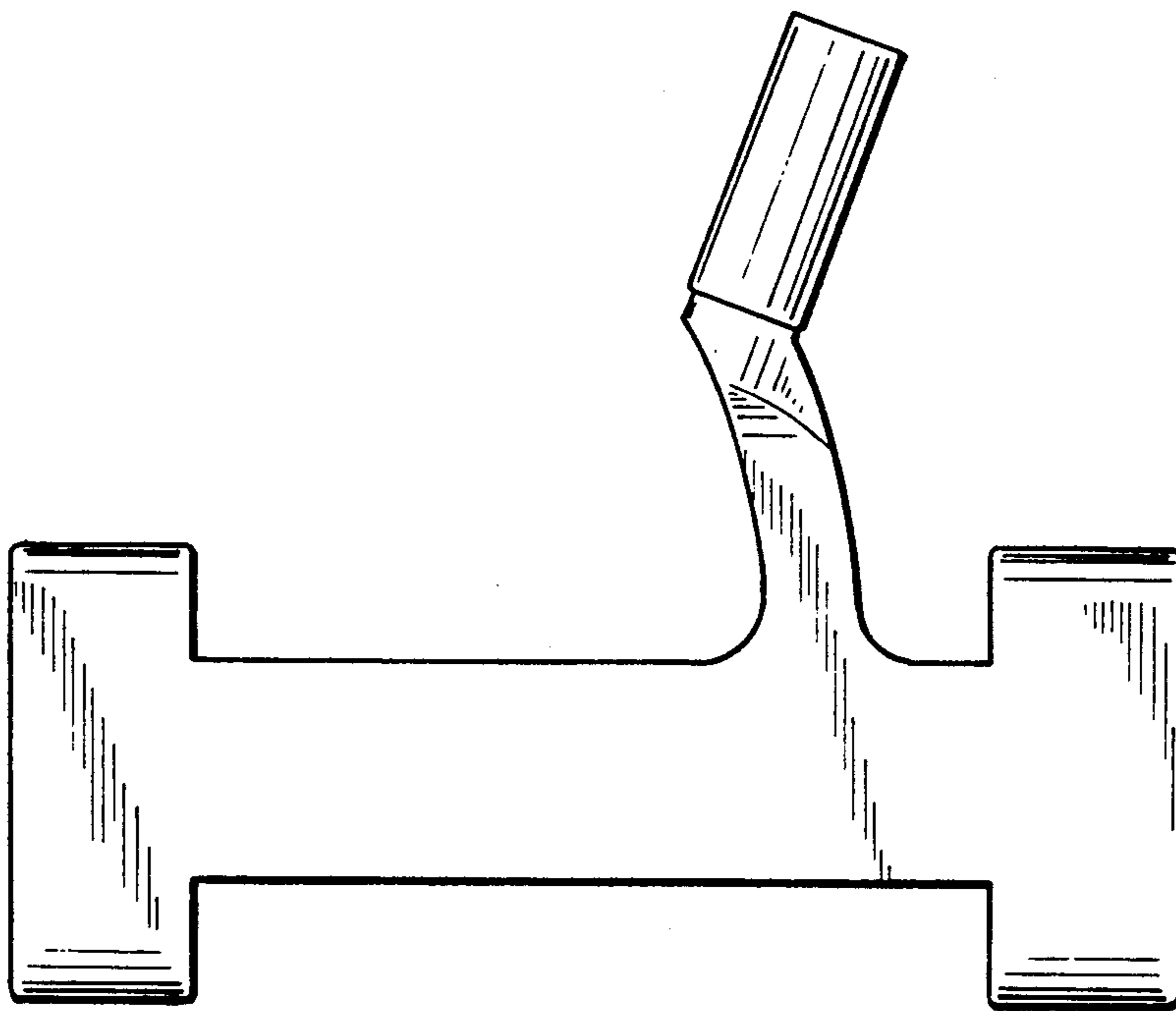
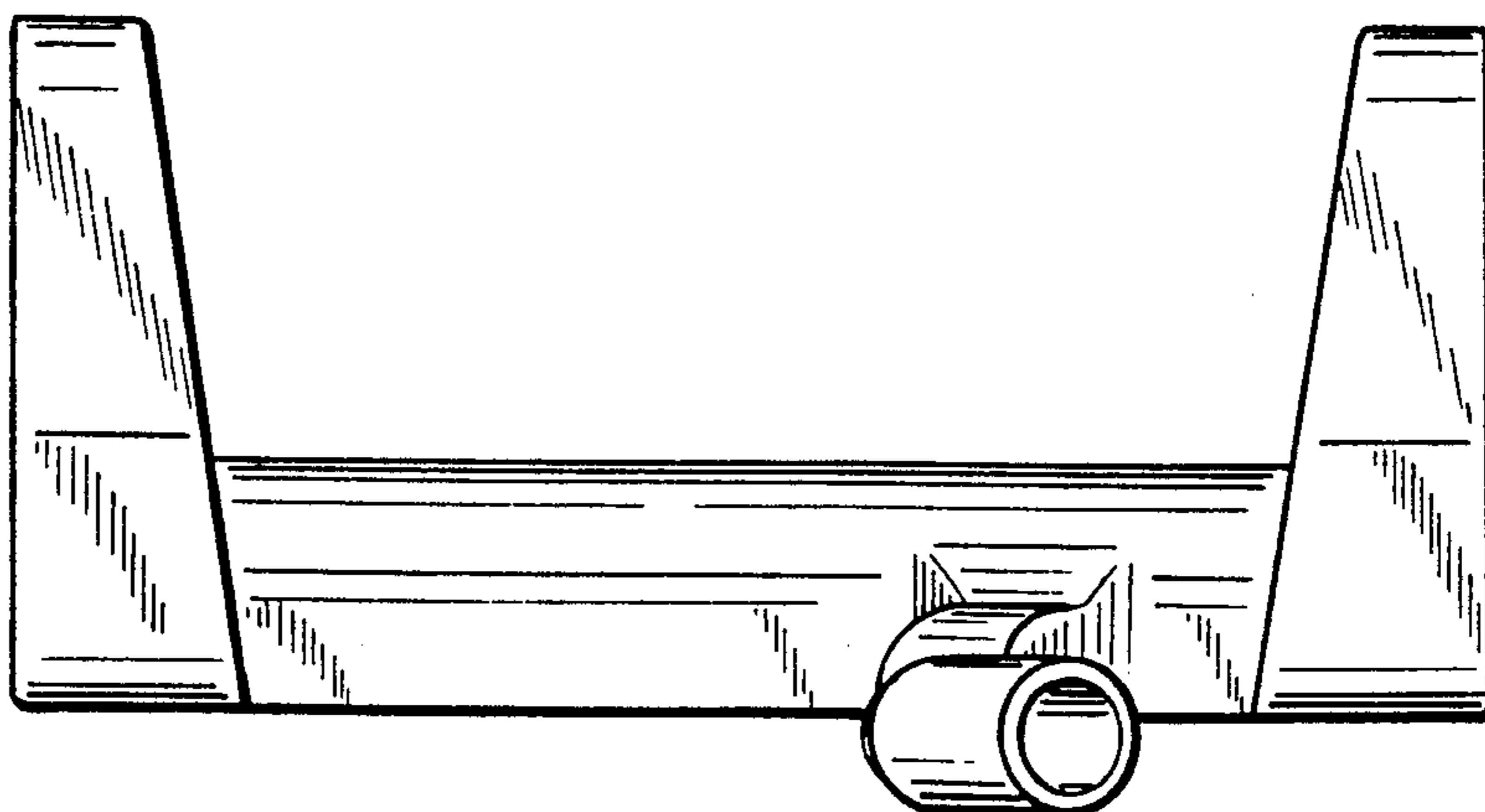


FIG. 4



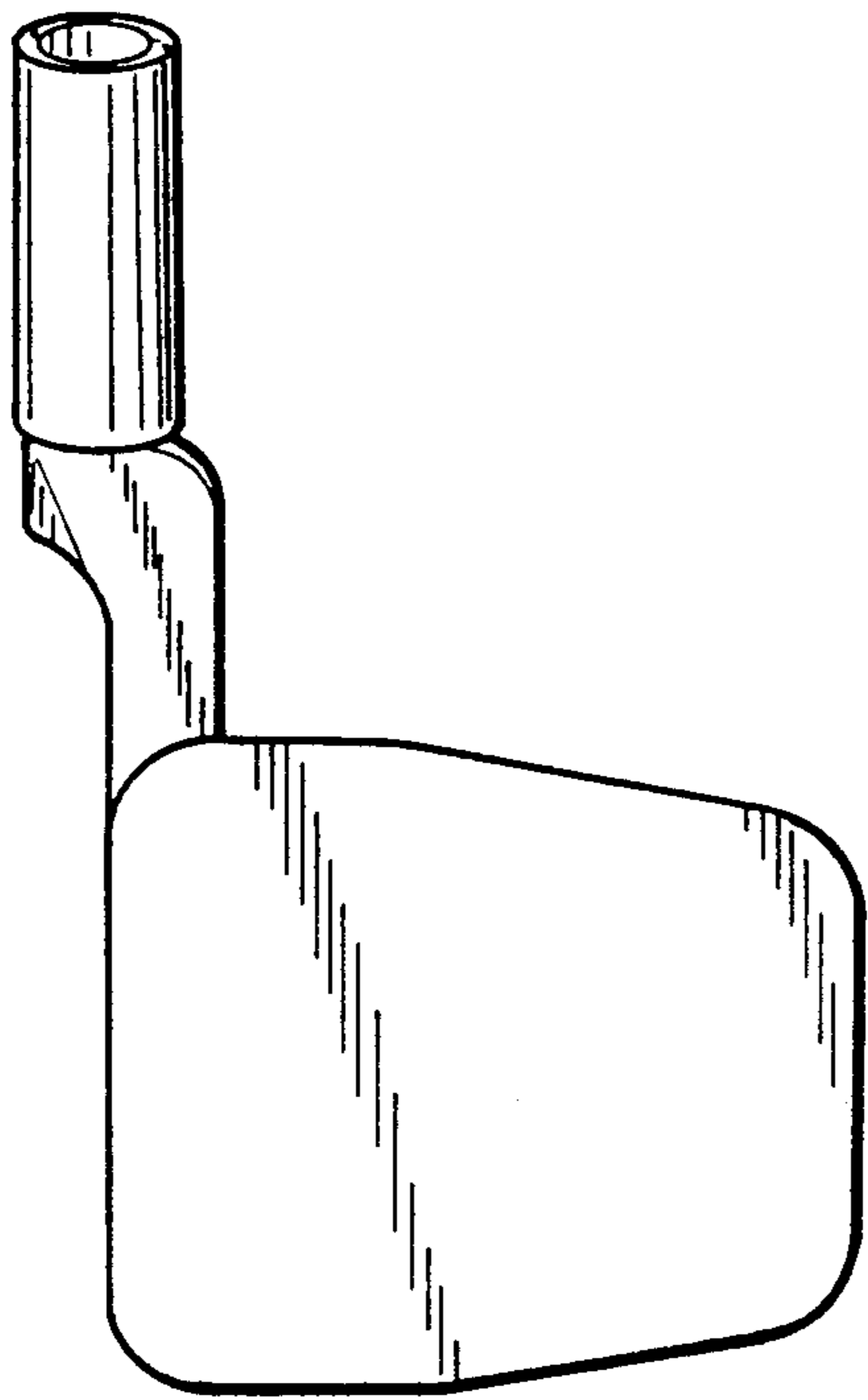


FIG. 5

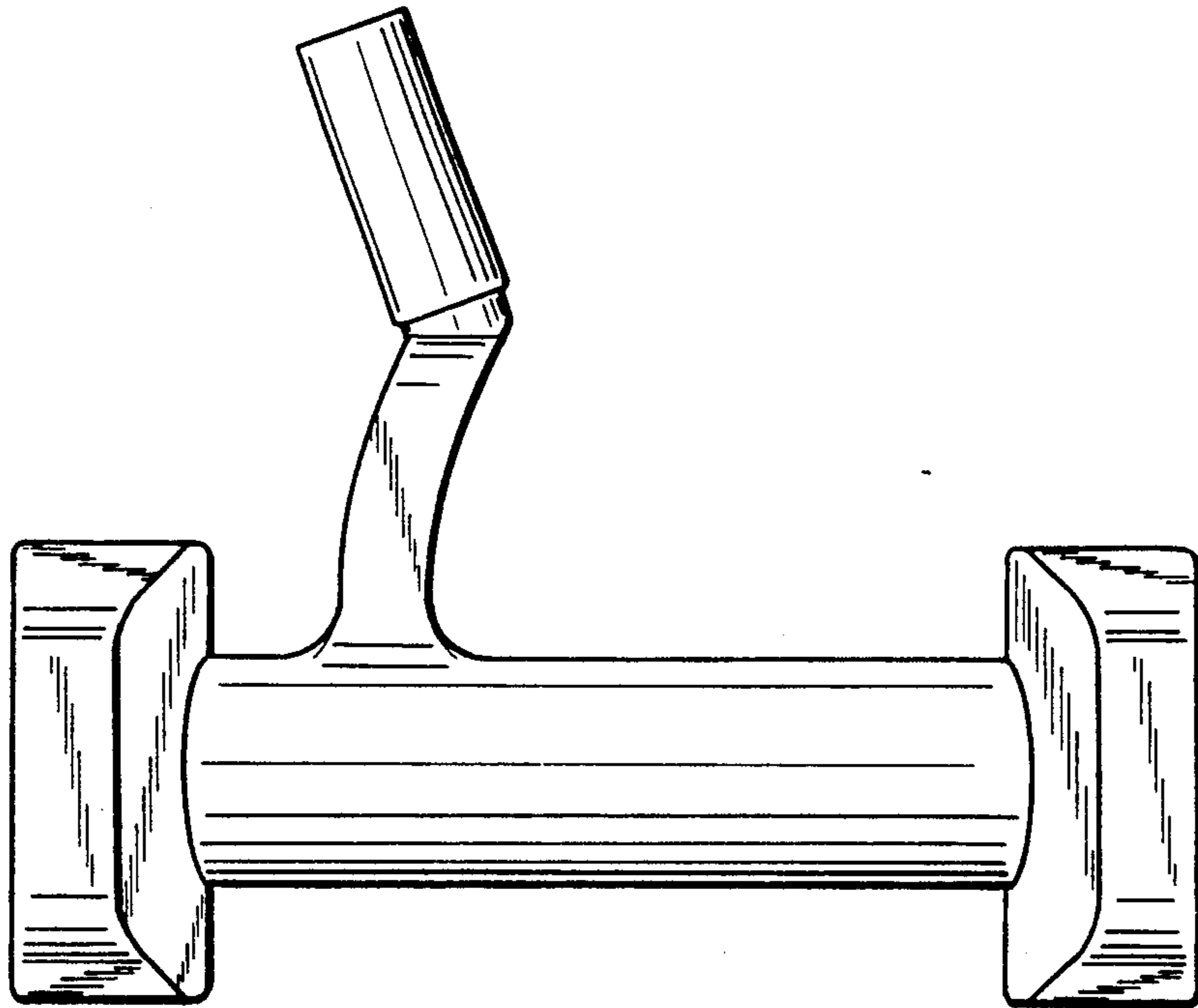


FIG. 6

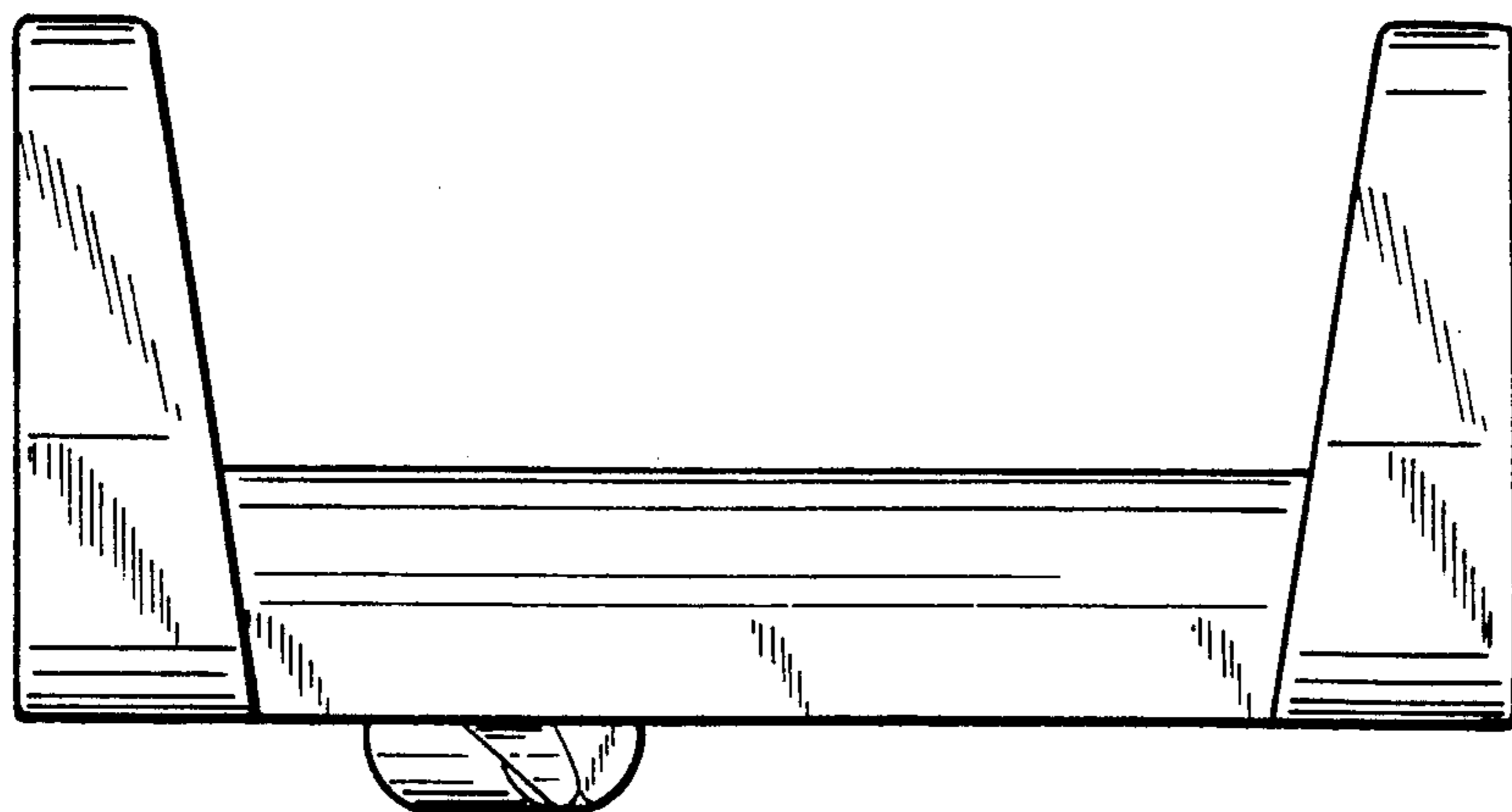


FIG. 7