

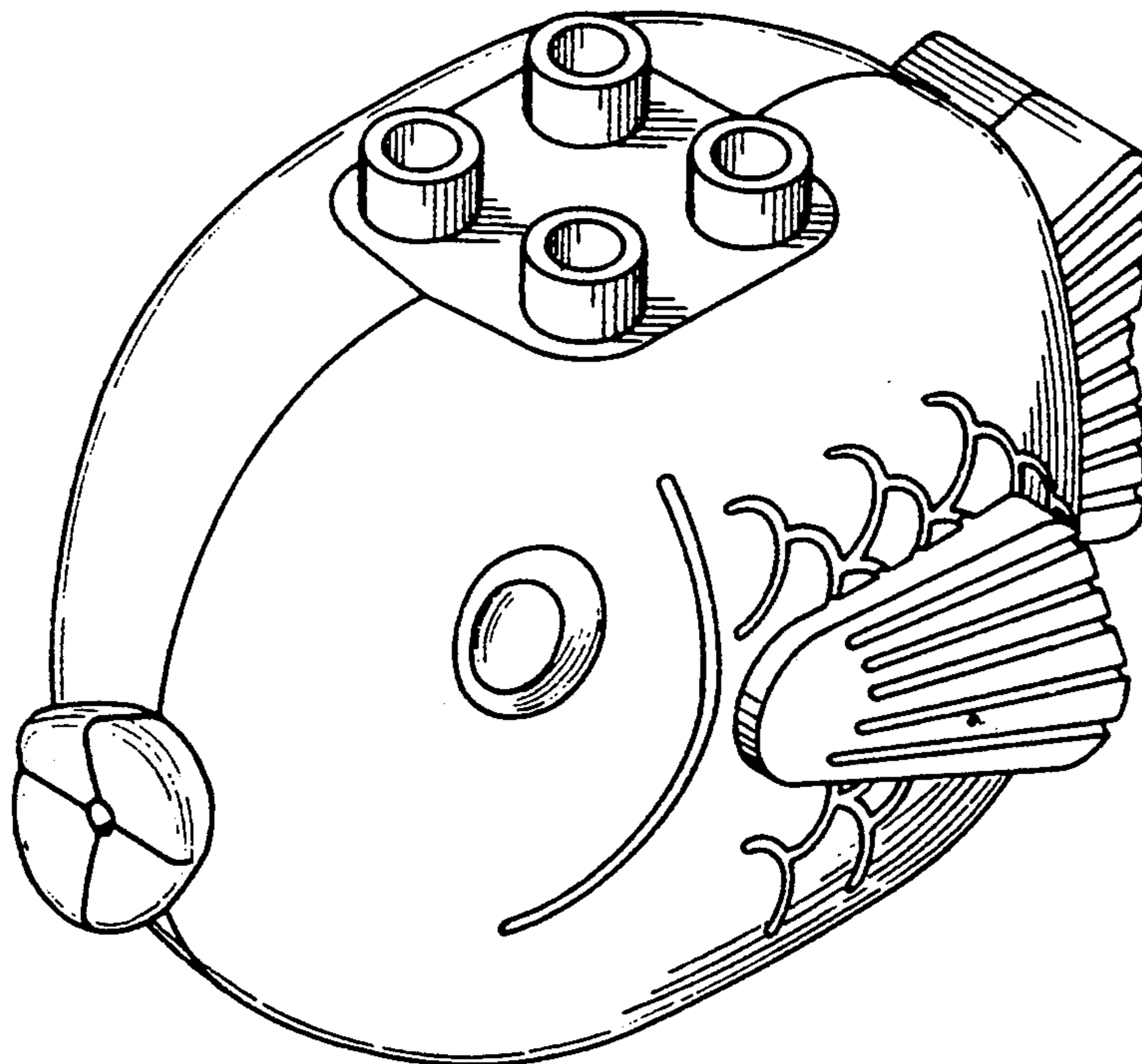
[54] **TOY FISH**
[75] **Inventor: Erik P. Tapdrup, Virum, Denmark**
[73] **Assignee: Interlego A.G., Switzerland**
[**] **Term: 14 Years**
[21] **Appl. No.: 278,160**
[22] **Filed: Nov. 29, 1988**
[52] **U.S. Cl. D21/157; D21/108**
[58] **Field of Search D21/157, 108; 446/97,
446/99, 100, 101, 120, 128**

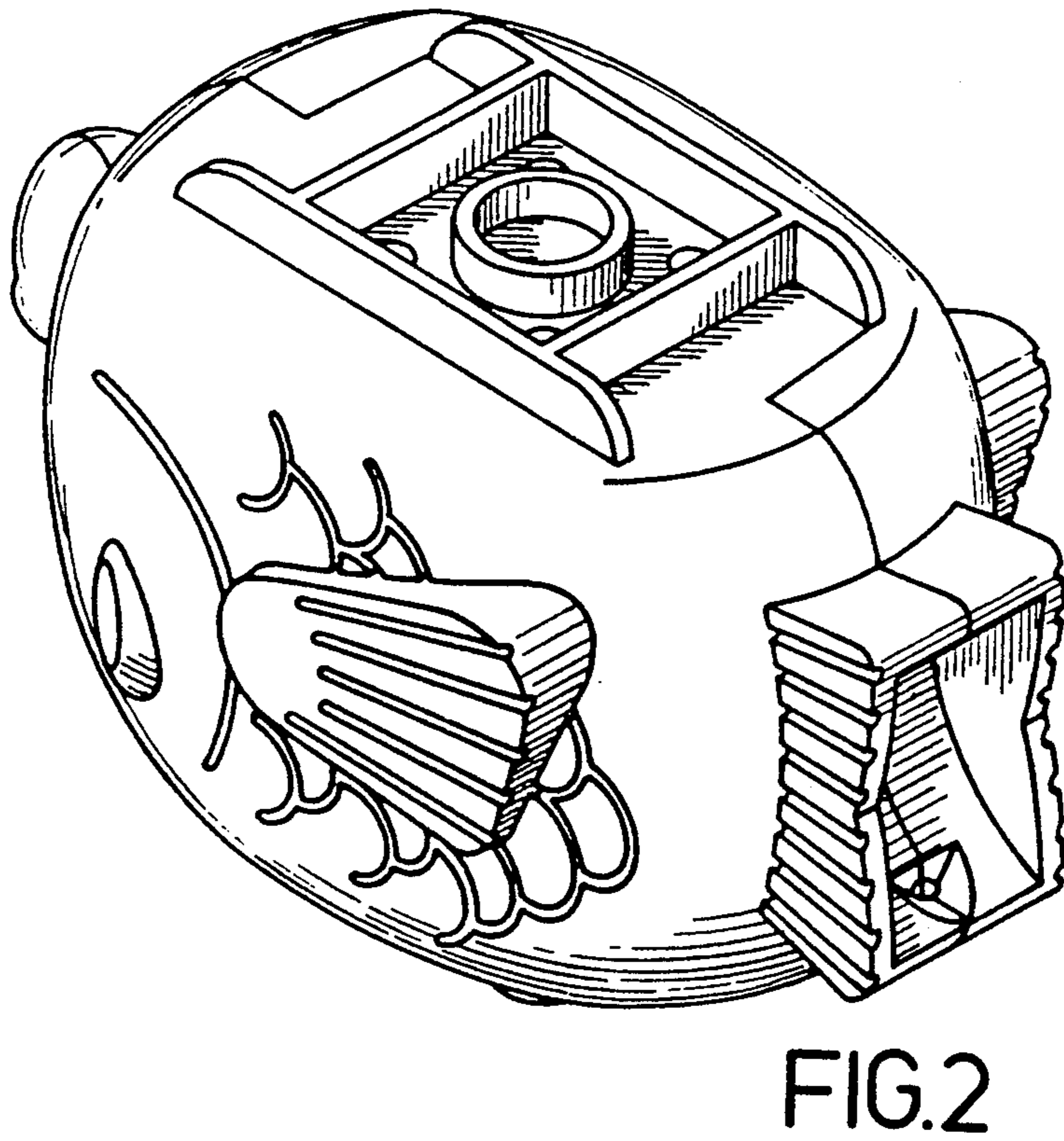
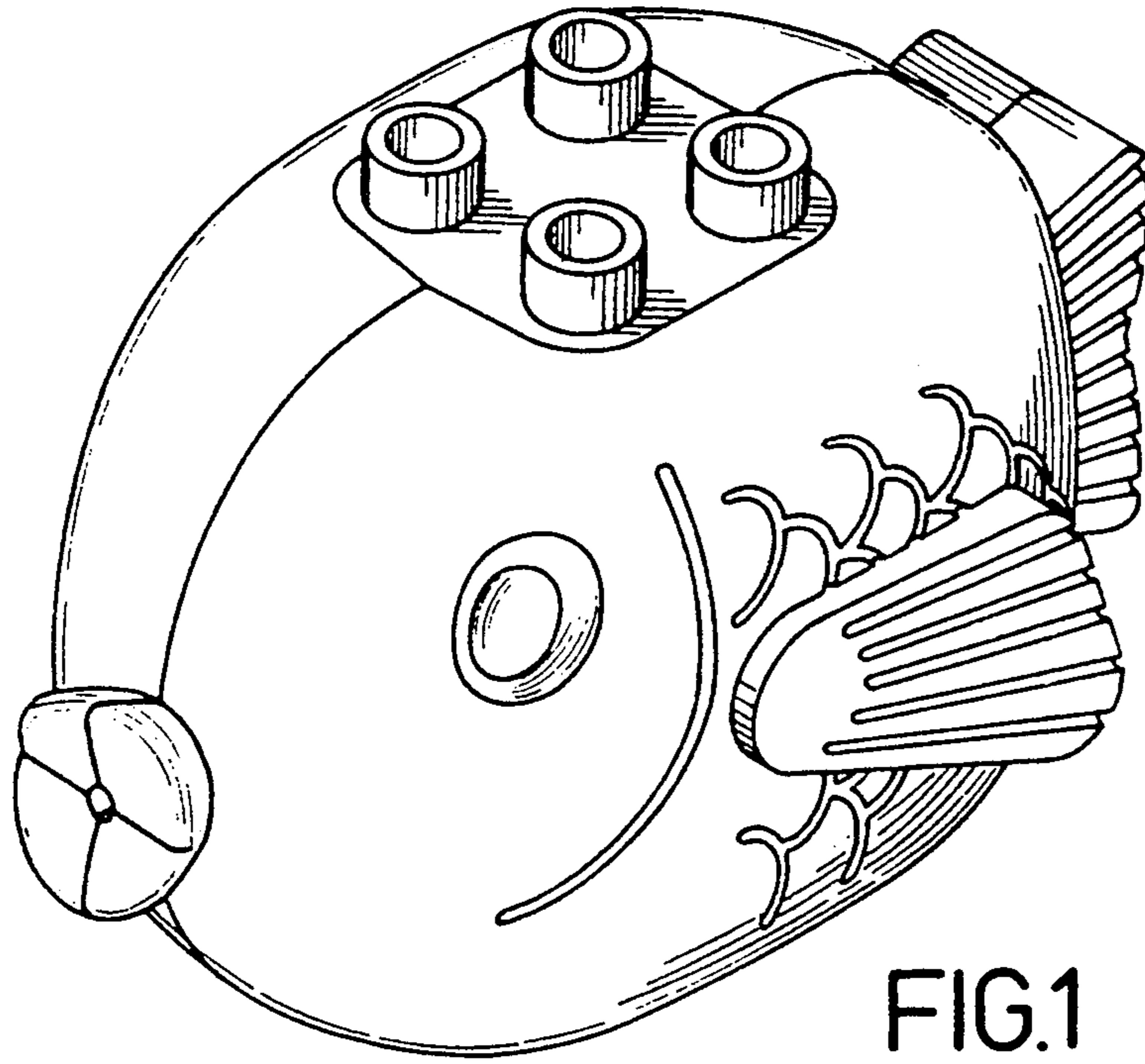
[56] **References Cited**
U.S. PATENT DOCUMENTS
D. 188,958 10/1960 Damiani D21/157
D. 213,013 12/1968 Klingberg D21/157
D. 281,519 11/1985 Pedersen D21/165

Primary Examiner—Melvin B. Feifer
*Attorney, Agent, or Firm—Kane, Dalsimer, Sullivan,
Kurucz, Levy, Eisele and Richard*

[57] **CLAIM**
The ornamental design for a toy fish, as shown and described.

DESCRIPTION
FIG. 1 is a top perspective view of a toy fish showing my new design;
FIG. 2 is a bottom perspective view thereof;
FIG. 3 is a front elevational view thereof;
FIG. 4 is a side elevational view thereof, the side opposite being identical;
FIG. 5 is a top plan view thereof;
FIG. 6 is a bottom plan view thereof;
FIG. 7 is a rear elevational view thereof.





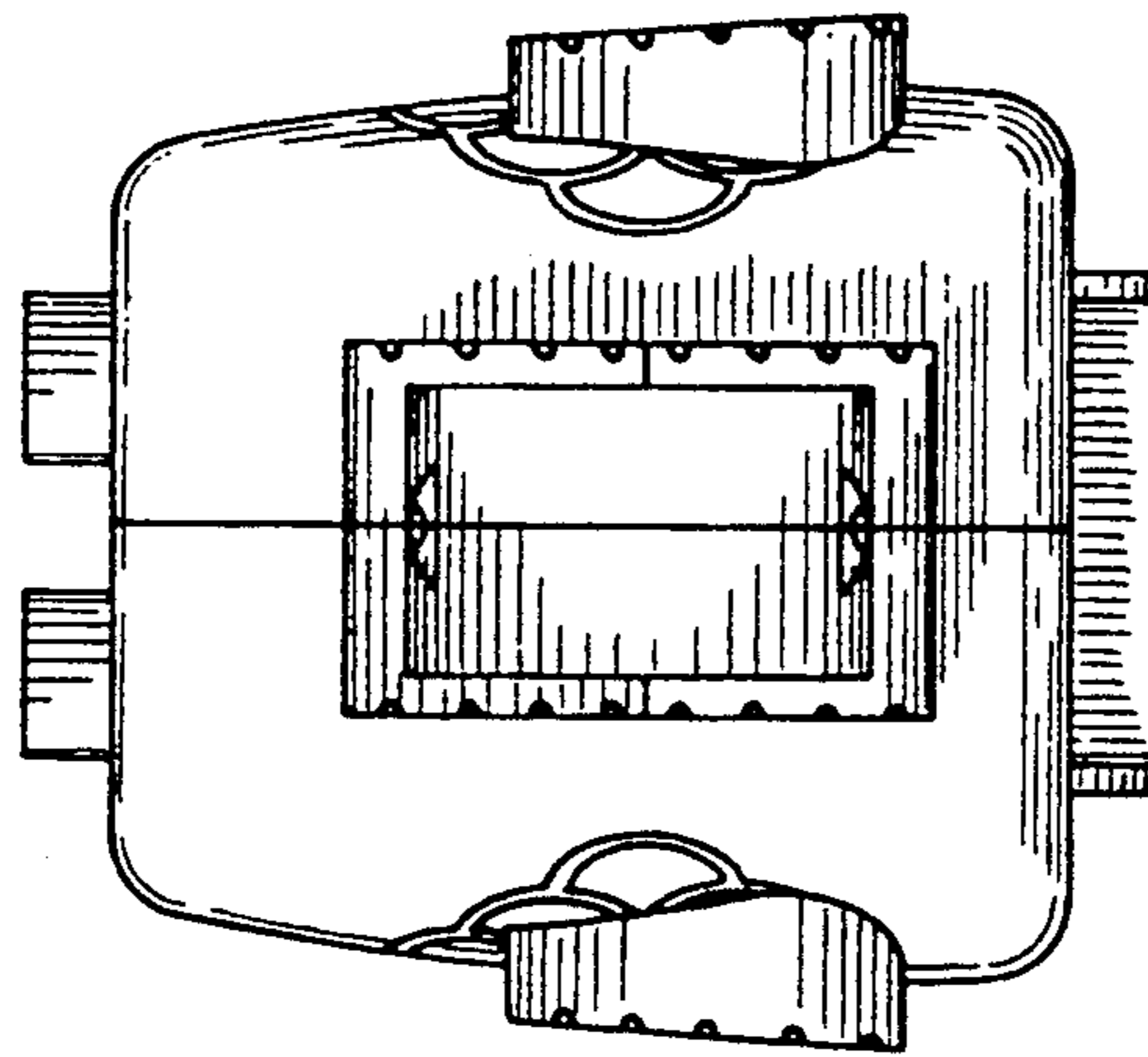


FIG. 7

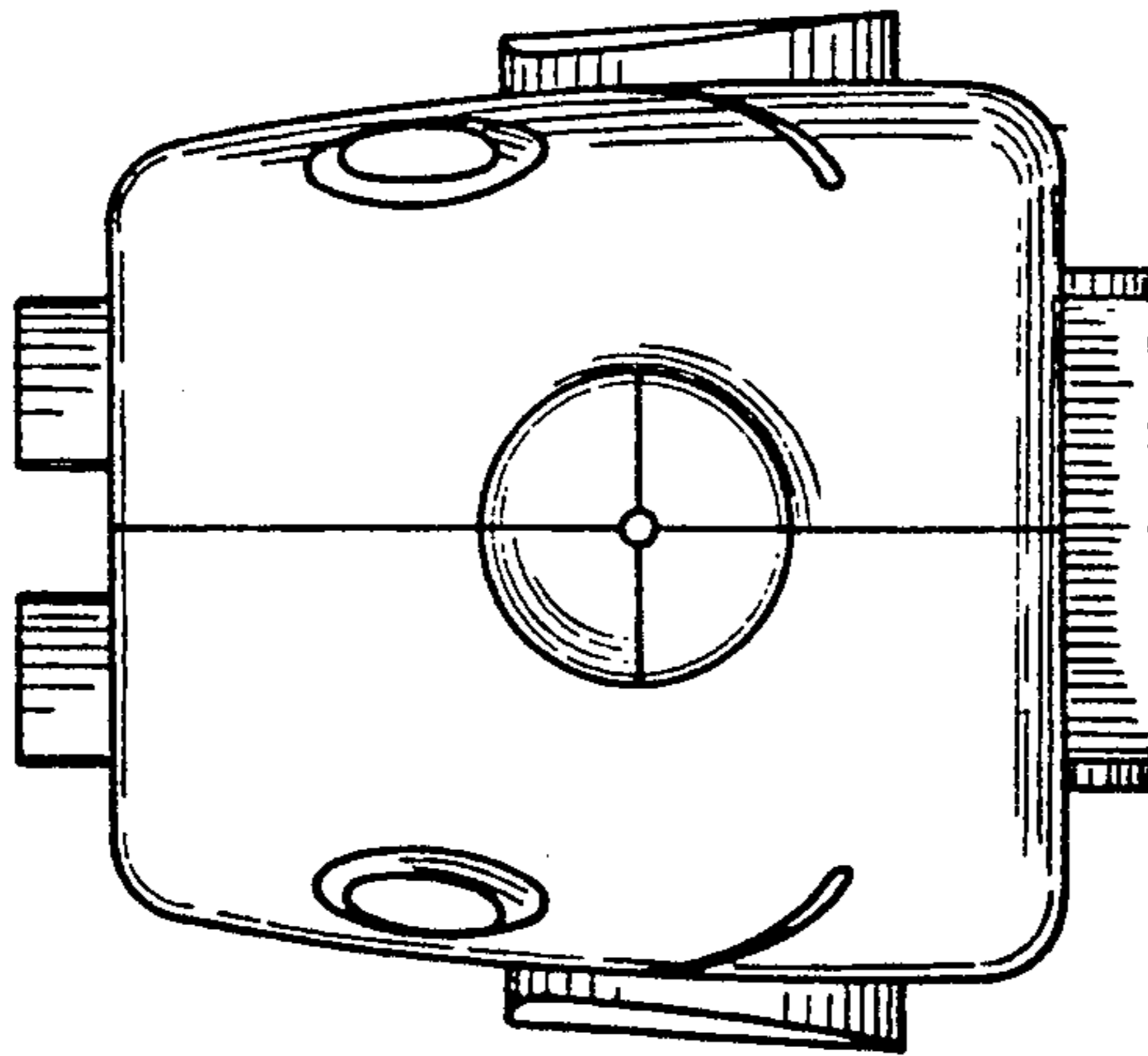


FIG. 3

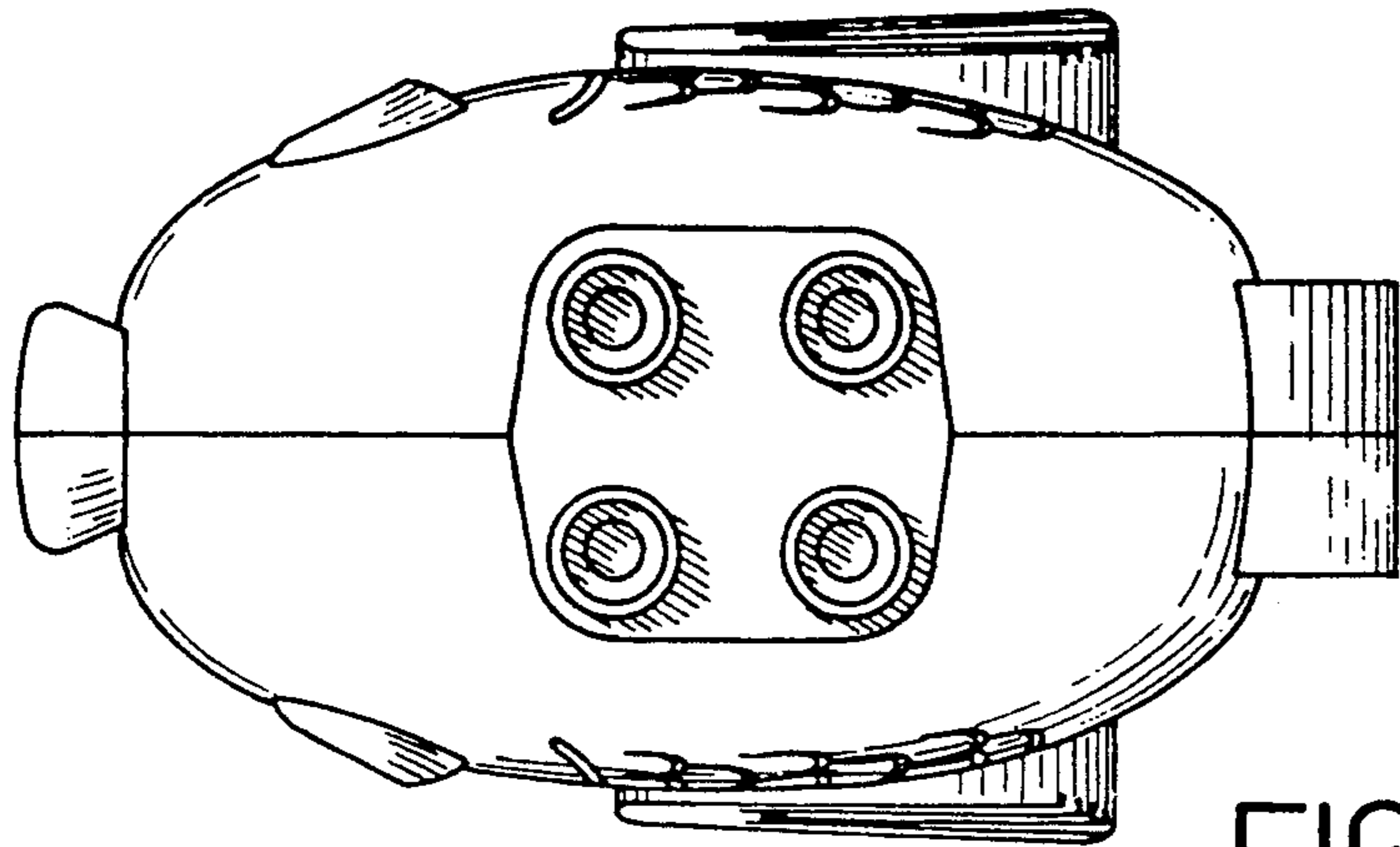


FIG.5

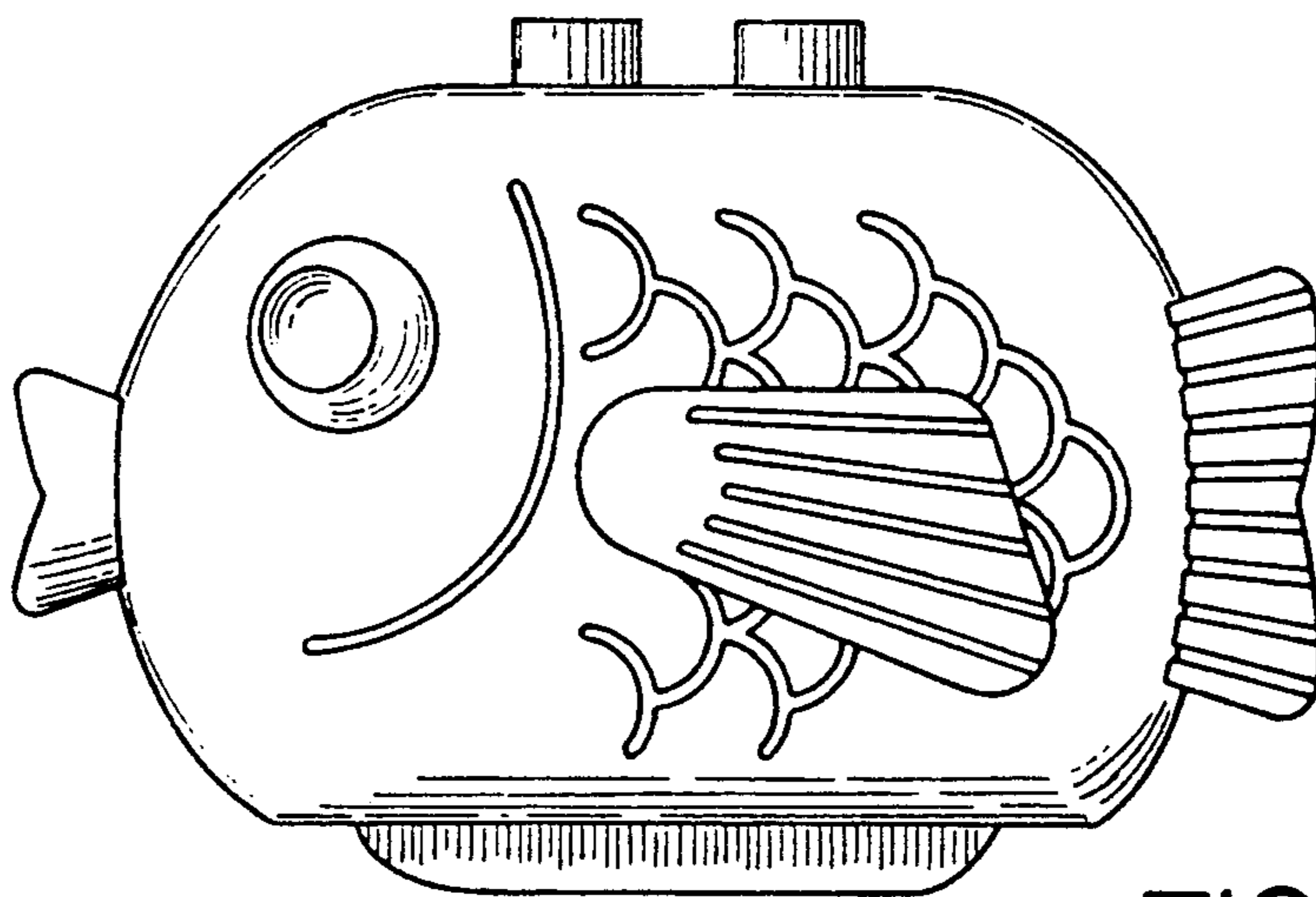


FIG.4

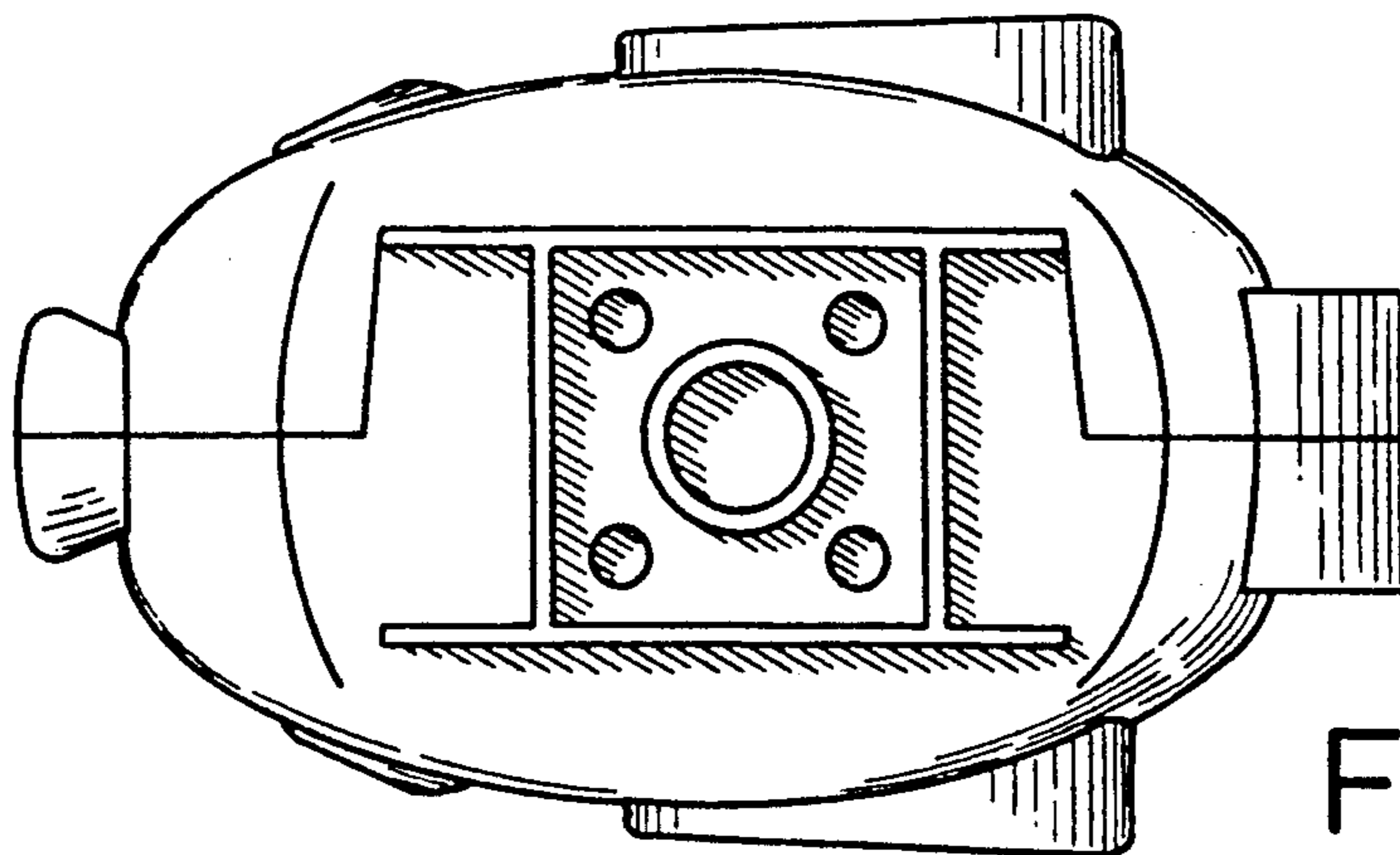


FIG.6