

[54] TOY OCTOPUS

[75] Inventor: Erik P. Tapdrup, Virum, Denmark

[73] Assignee: Interlego A.G., Switzerland

[**] Term: 14 Years

[21] Appl. No.: 277,906

[22] Filed: Nov. 29, 1988

[52] U.S. Cl. D21/157

[58] Field of Search D21/157, 108; 446/97, 446/99, 100, 101, 120, 128

[56]

References Cited

U.S. PATENT DOCUMENTS

- D. 241,872 10/1976 Dunbar et al. D21/157
- D. 258,902 4/1981 Strickland D21/157
- D. 276,638 12/1984 Daugherty D21/157

D. 281,519 11/1985 Pedersen D21/165

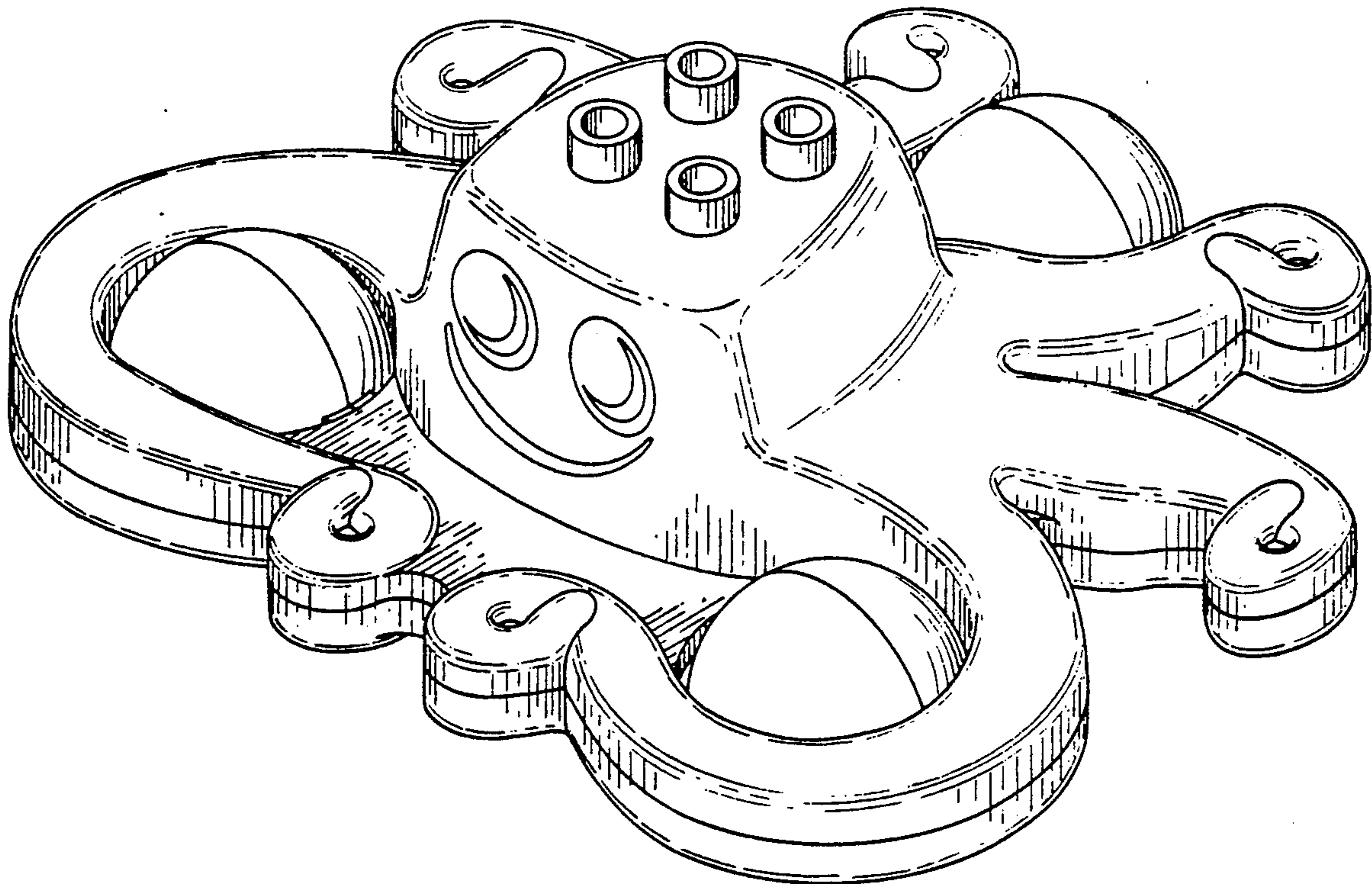
Primary Examiner—Melvin B. Feifer
Attorney, Agent, or Firm—Kane, Dalsimer, Sullivan, Kurucz, Levy, Eisele and Richard

[57] CLAIM

The ornamental design for a toy octopus, as shown and described.

DESCRIPTION

FIG. 1 is a top perspective view of a toy octopus showing my new design;
 FIG. 2 is a bottom perspective view thereof;
 FIG. 3 is a front elevational view thereof;
 FIG. 4 is a rear elevational view thereof;
 FIG. 5 is a top plan view thereof;
 FIG. 6 is a bottom plan view thereof;
 FIG. 7 is a side elevational view thereof, the side opposite being identical.



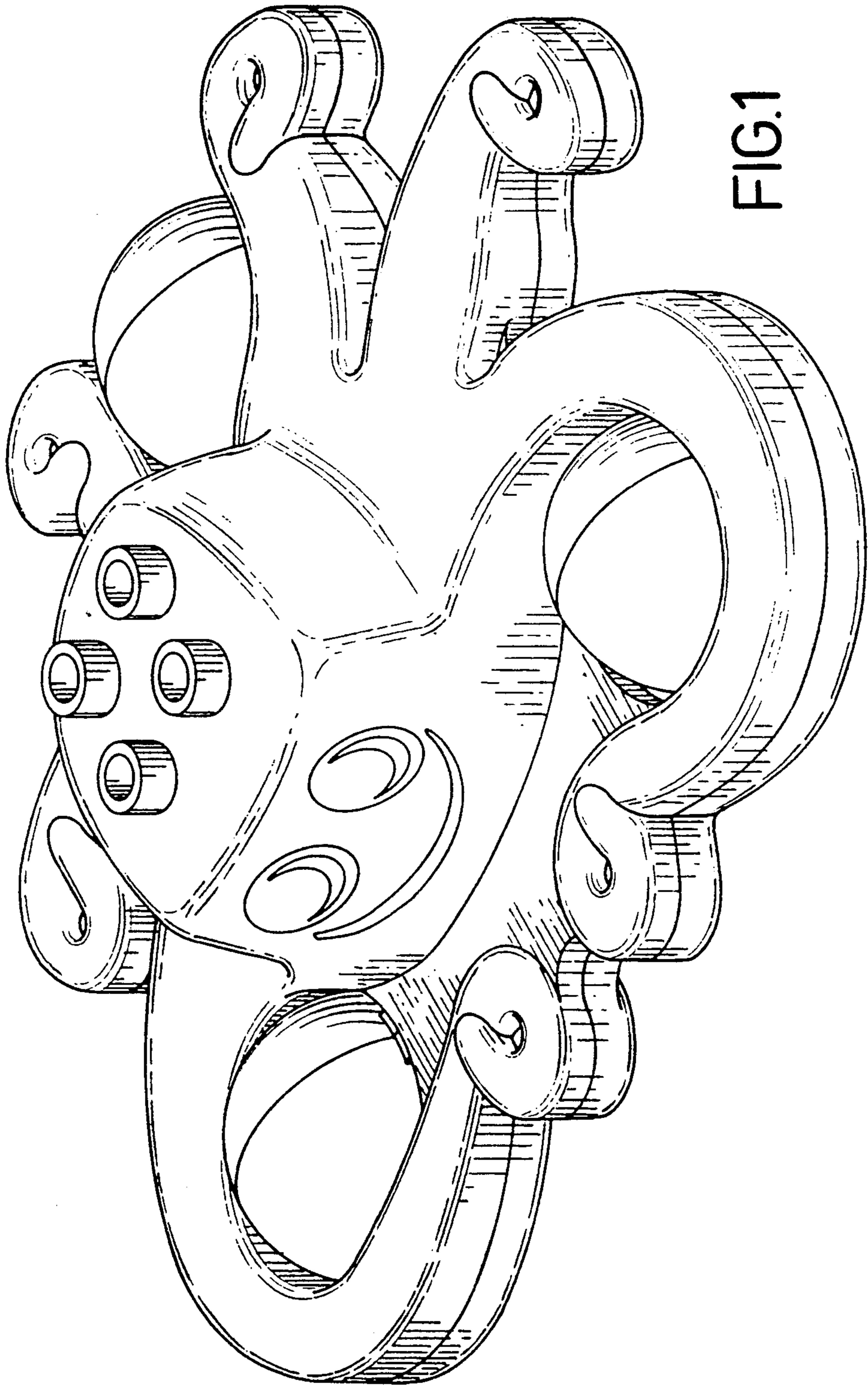


FIG. 1

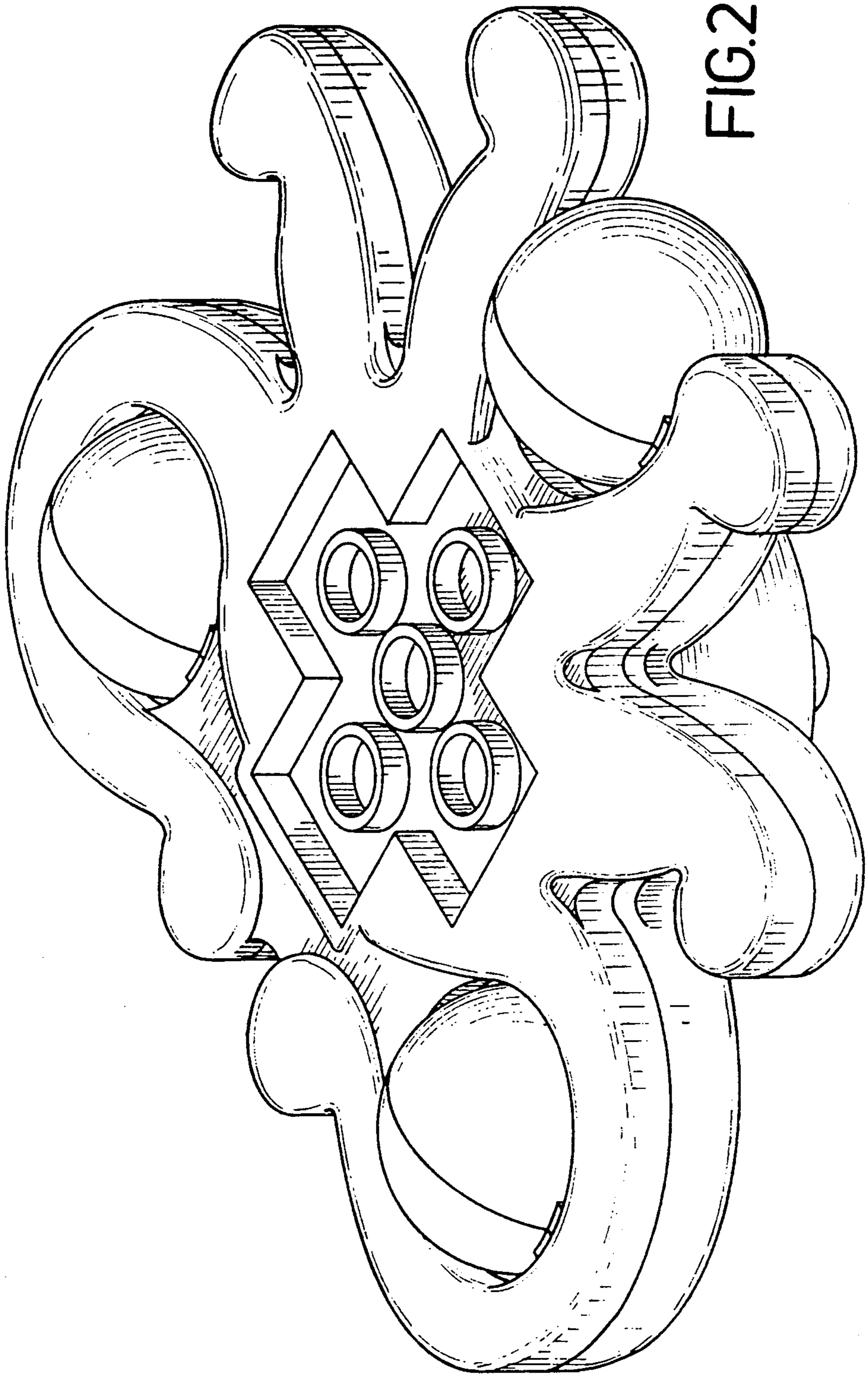


FIG.2

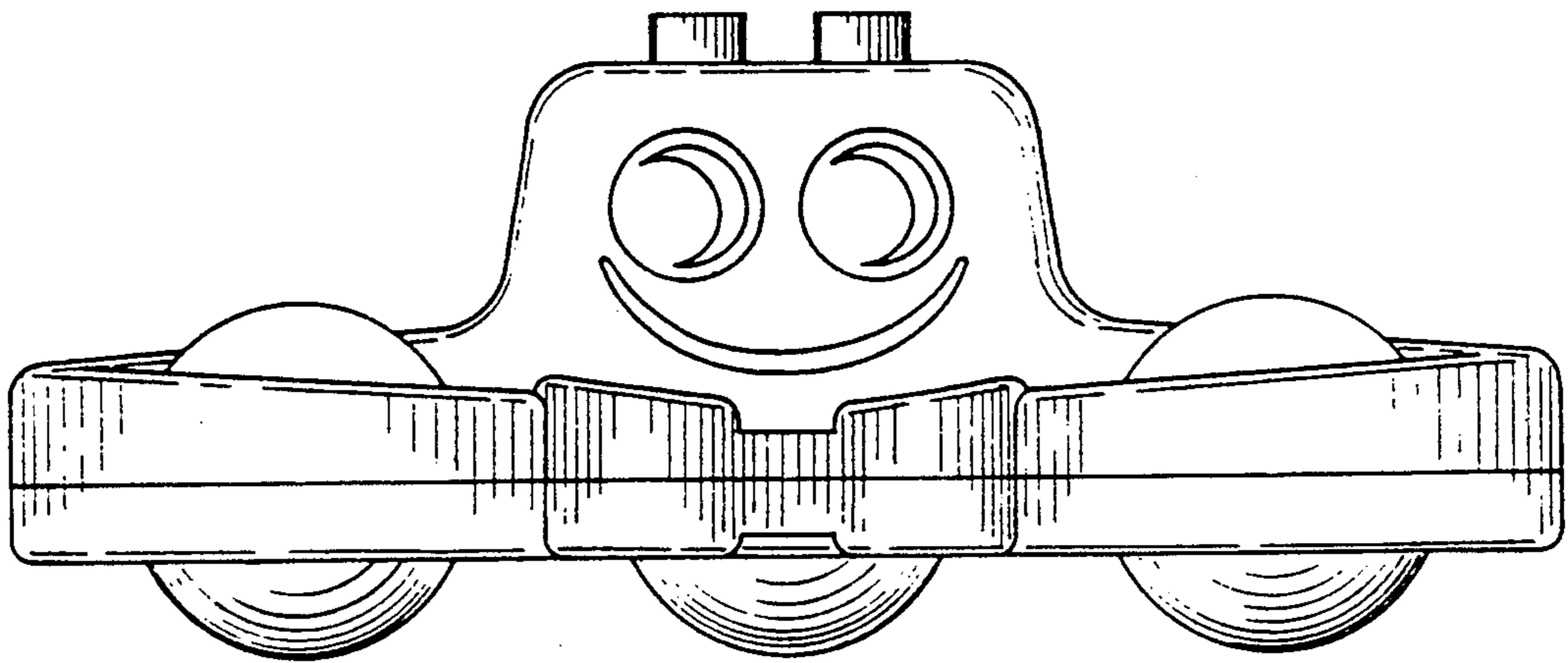


FIG.3

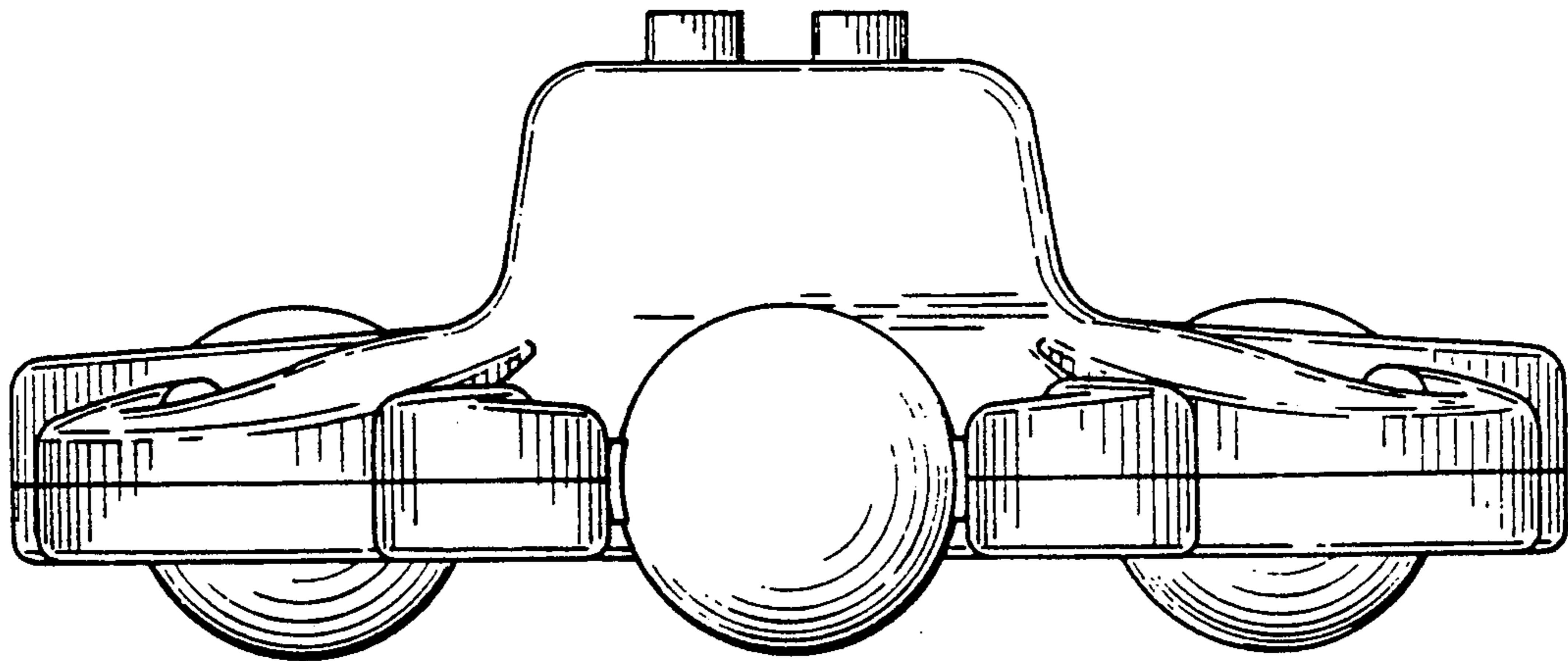


FIG.4

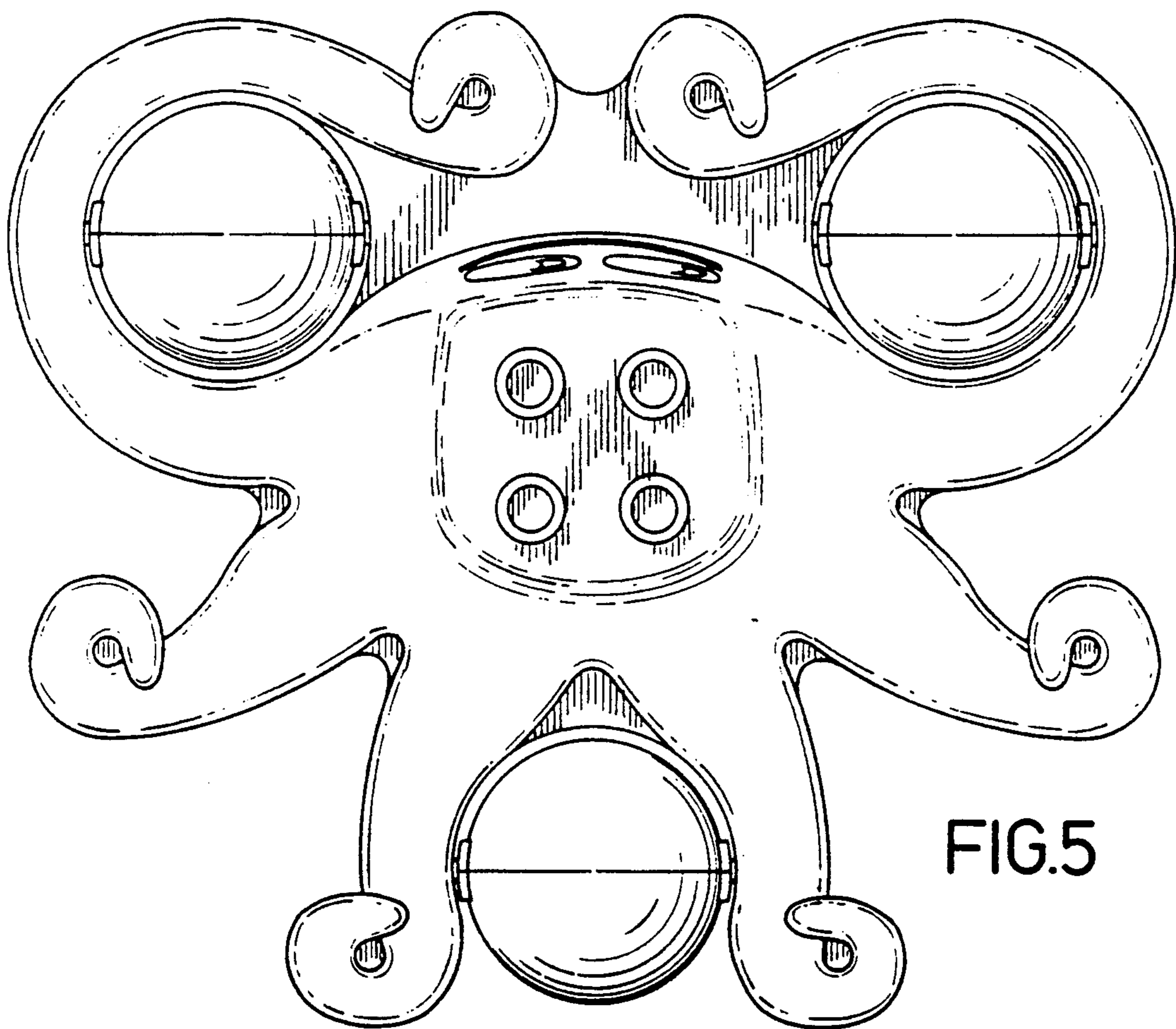


FIG. 5

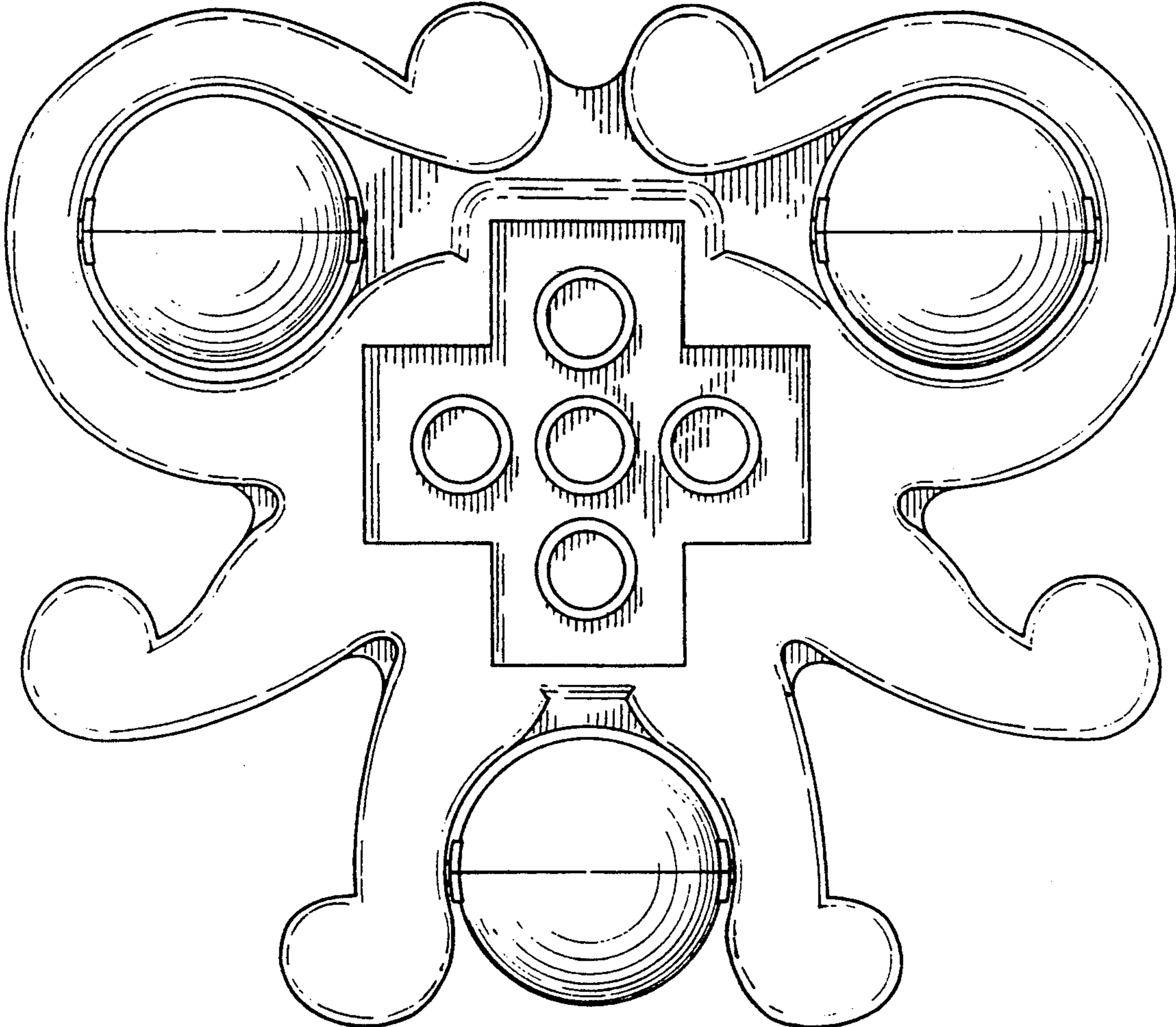


FIG.6

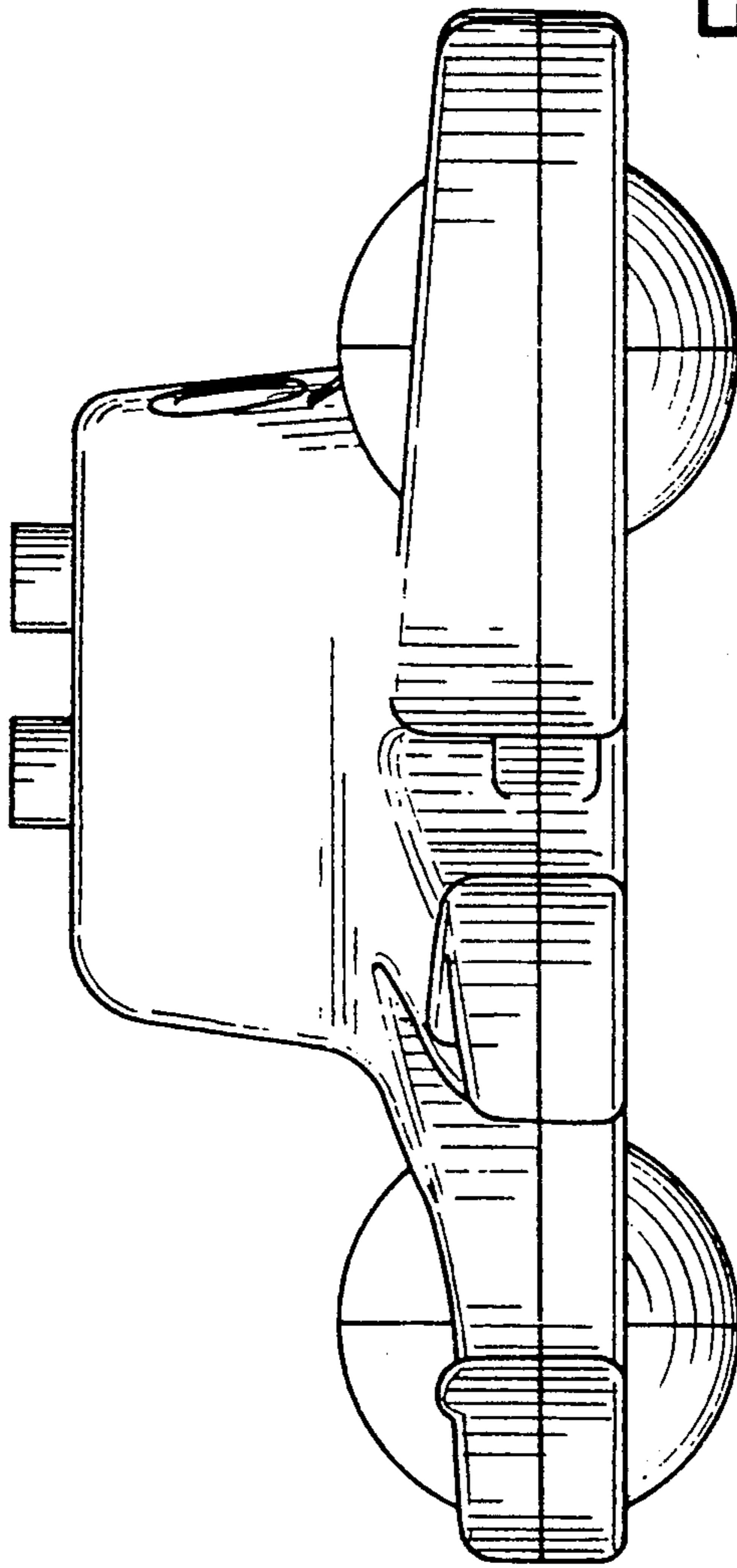


FIG. 7