

[54] **TOY MONKEY**

[75] **Inventor: Niels M. Pedersen, Århus C, Denmark**

[73] **Assignee: Interlego A.G., Switzerland**

[**] **Term: 14 Years**

[21] **Appl. No.: 277,911**

[22] **Filed: Nov. 29, 1988**

[52] **U.S. Cl. D21/156; D21/108**

[58] **Field of Search D21/156, 108; 446/97, 446/99, 100, 101, 120, 128**

[56] **References Cited**

U.S. PATENT DOCUMENTS

- D. 49,490 8/1916 Meinecke D21/156
- D. 90,571 8/1933 Breeding D21/156
- D. 117,674 11/1939 Lewis D21/156

- 938,874 11/1909 Klink D21/156
- 2,959,888 11/1960 Noble 446/101

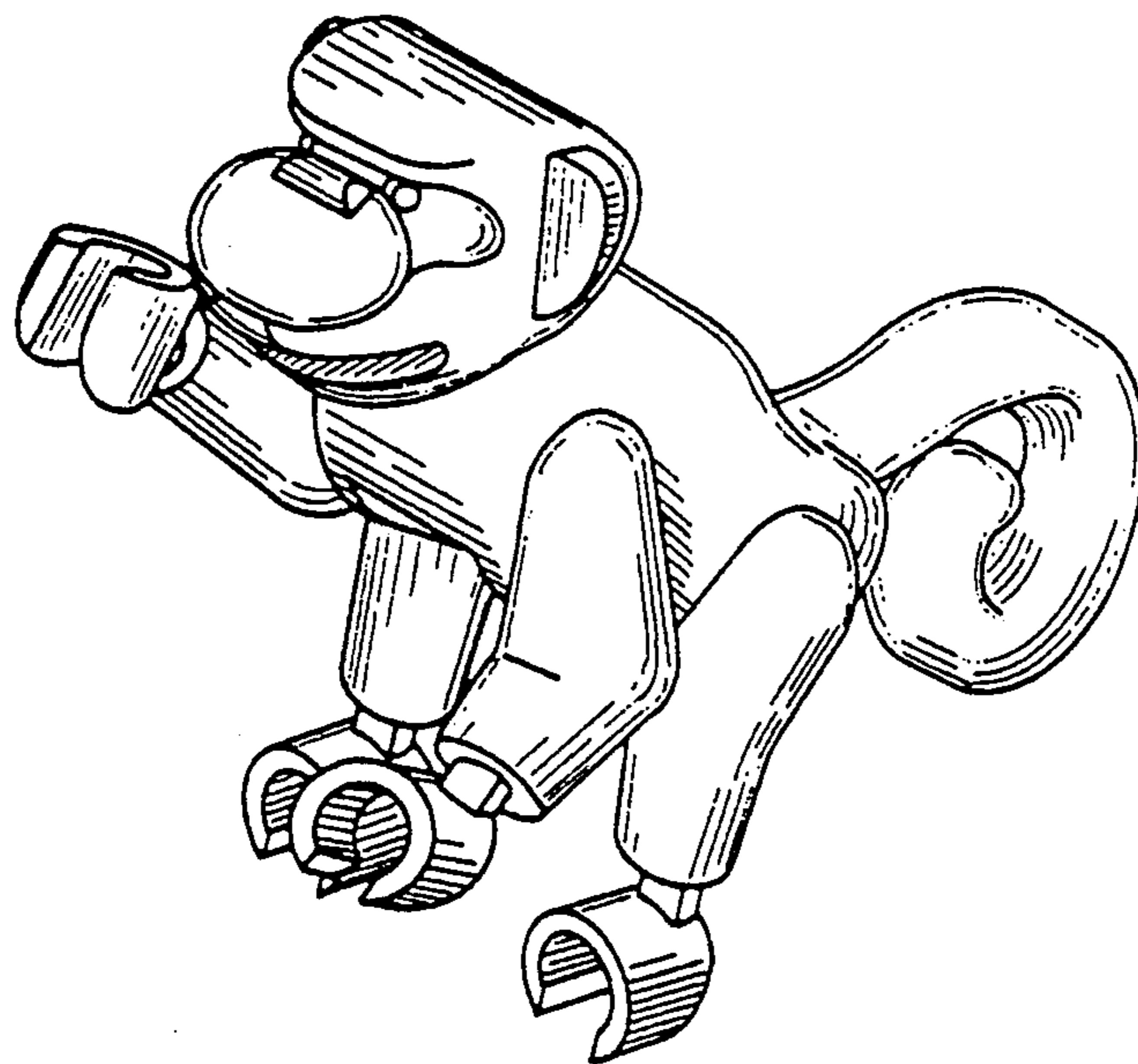
Primary Examiner—Melvin B. Feifer
Attorney, Agent, or Firm—Kane, Dalsimer, Sullivan, Kurucz, Levy, Eisele and Richard

[57] **CLAIM**

The ornamental design for a toy monkey, as shown and described.

DESCRIPTION

- FIG. 1 is a top perspective view of a toy monkey showing my new design;
- FIG. 2 is a bottom perspective view thereof;
- FIG. 3 is a front elevational view thereof;
- FIG. 4 is a rear elevational view thereof;
- FIG. 5 is a top plan view thereof;
- FIG. 6 is a bottom plan view thereof;
- FIG. 7 is a left side elevational view thereof;
- FIG. 8 is a right side elevational view thereof.



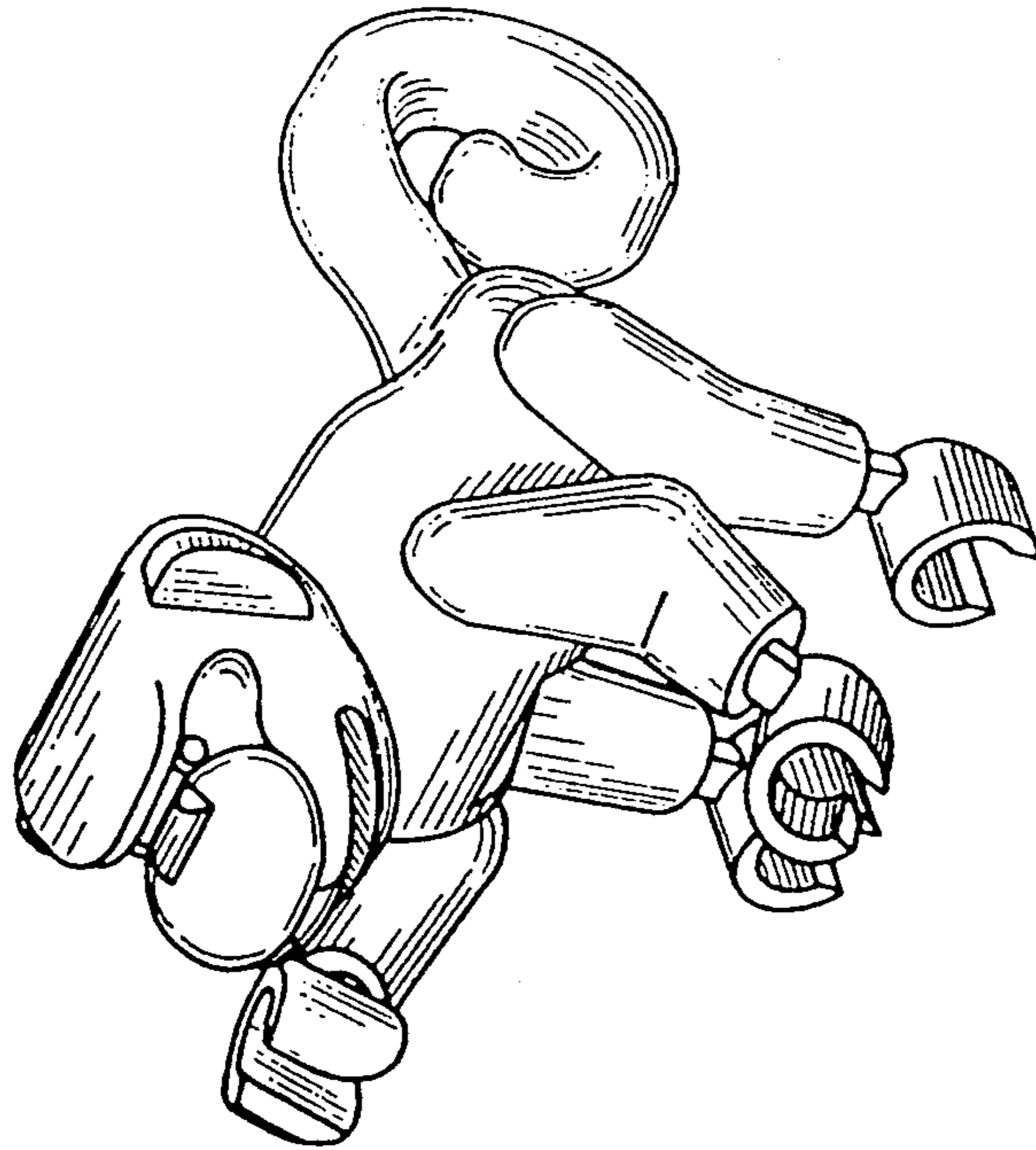


FIG. 1

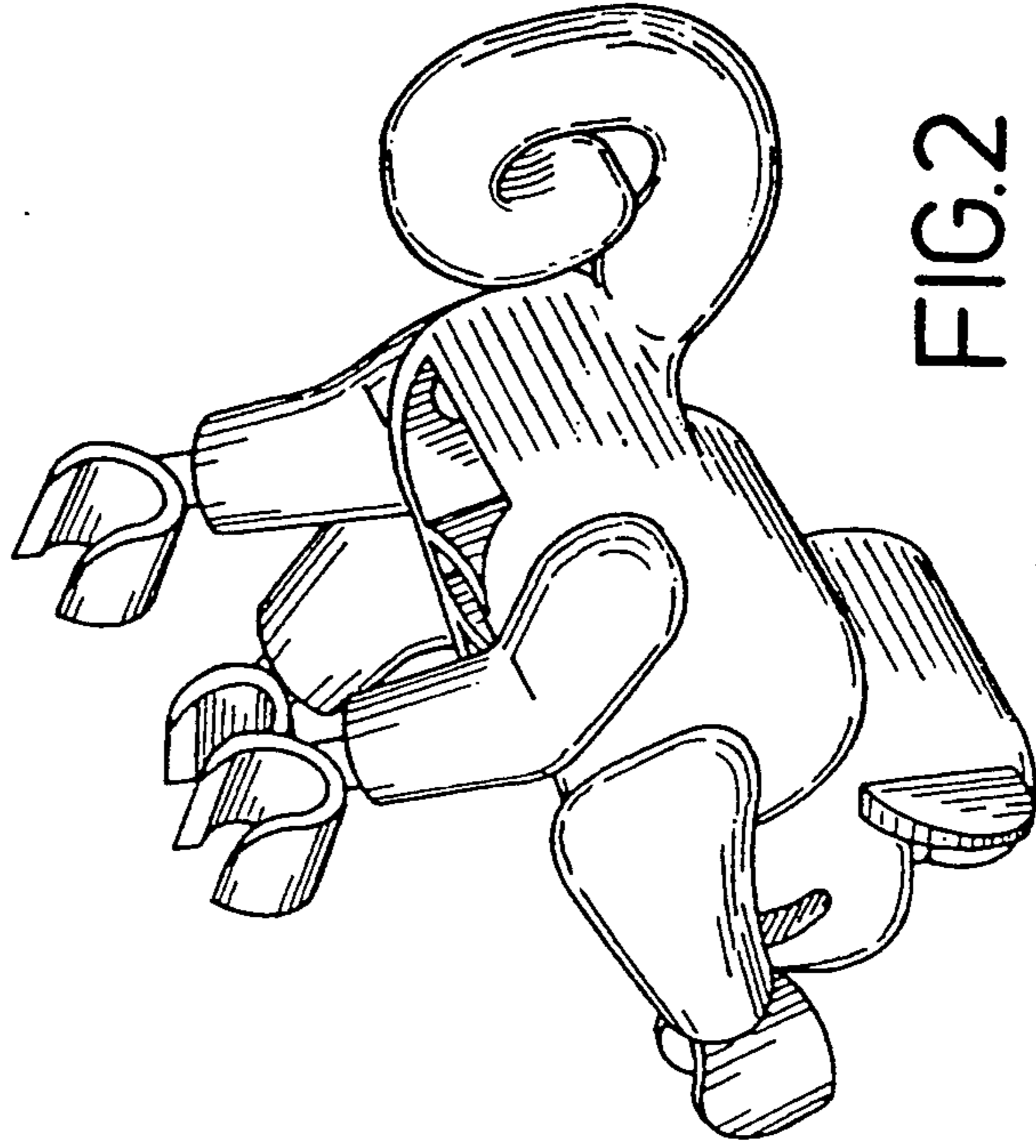


FIG. 2

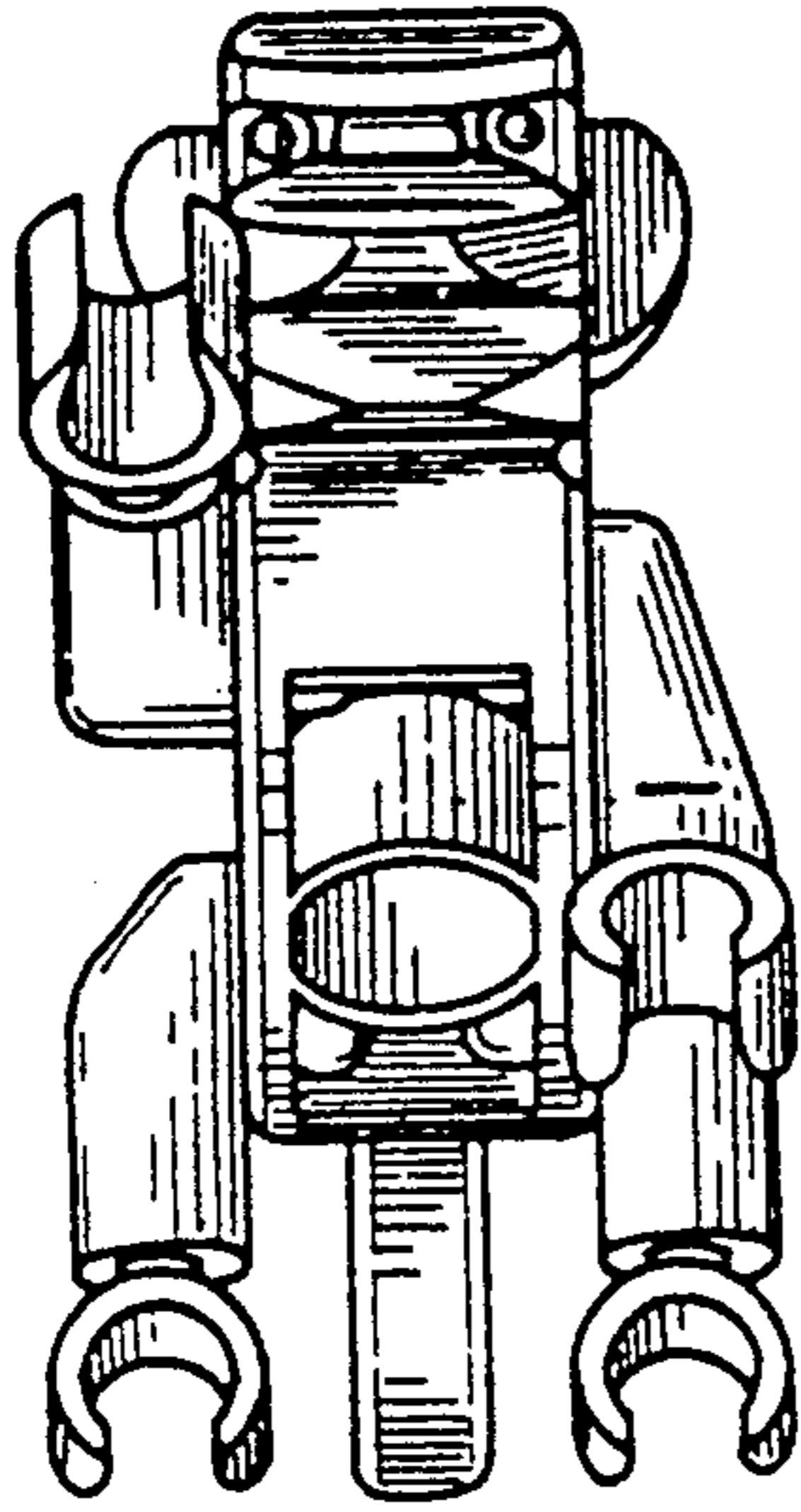


FIG.3

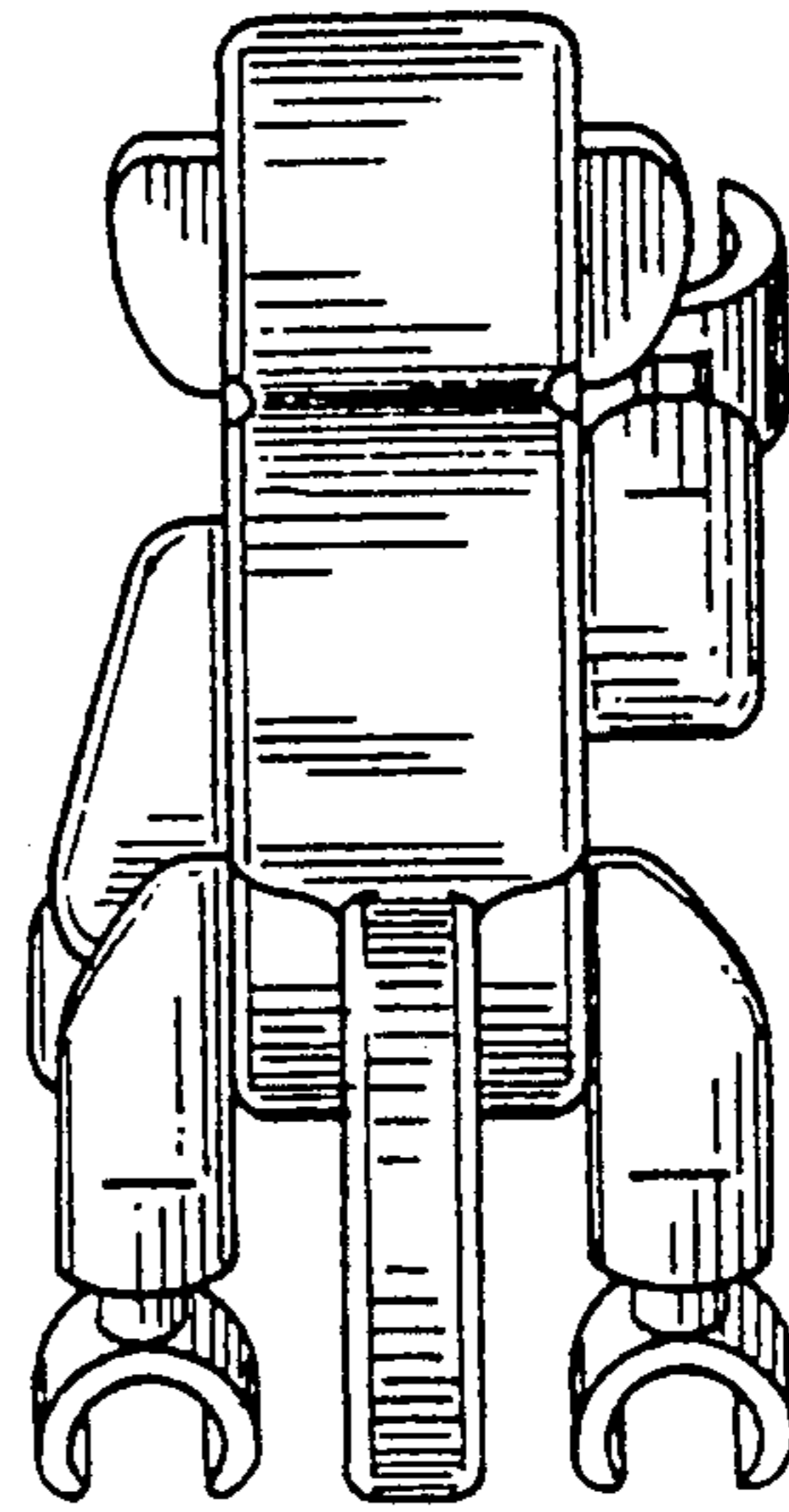


FIG.4

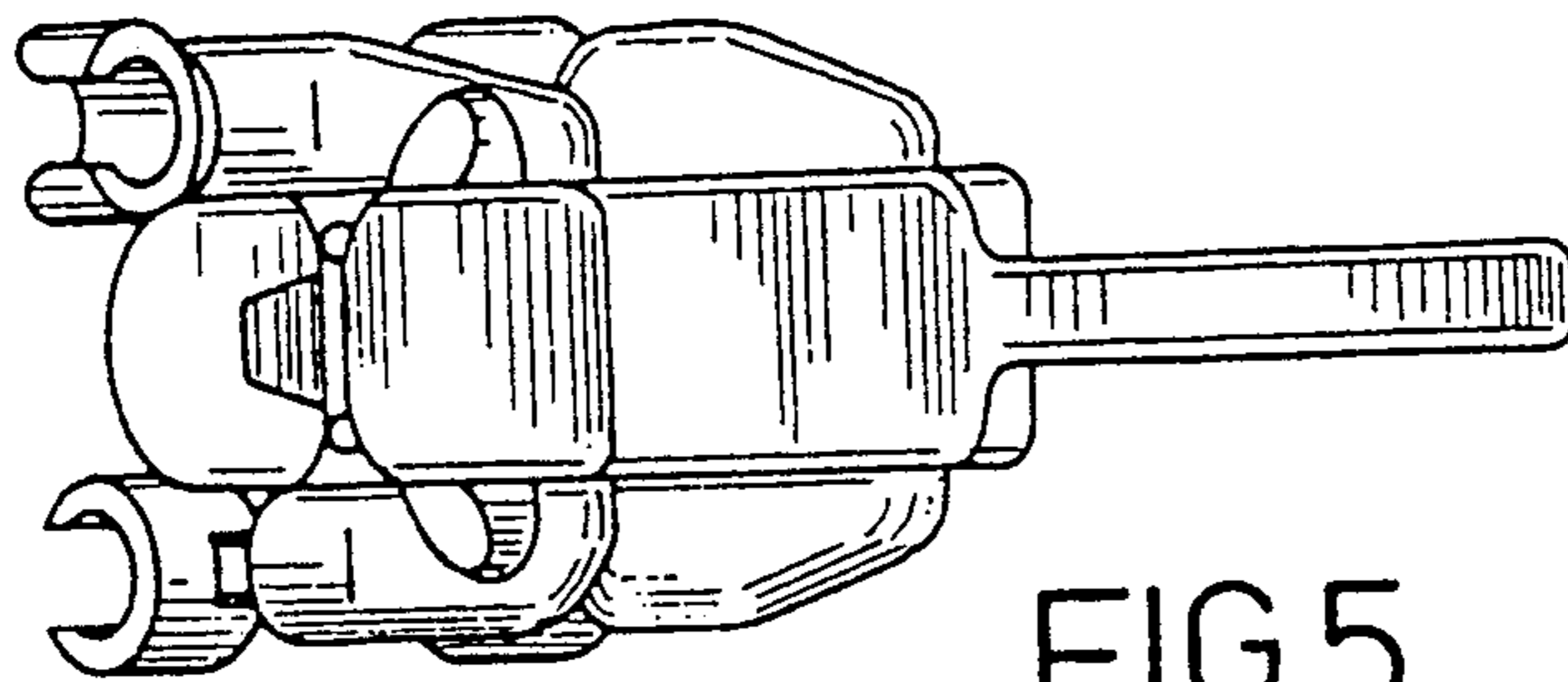


FIG.5

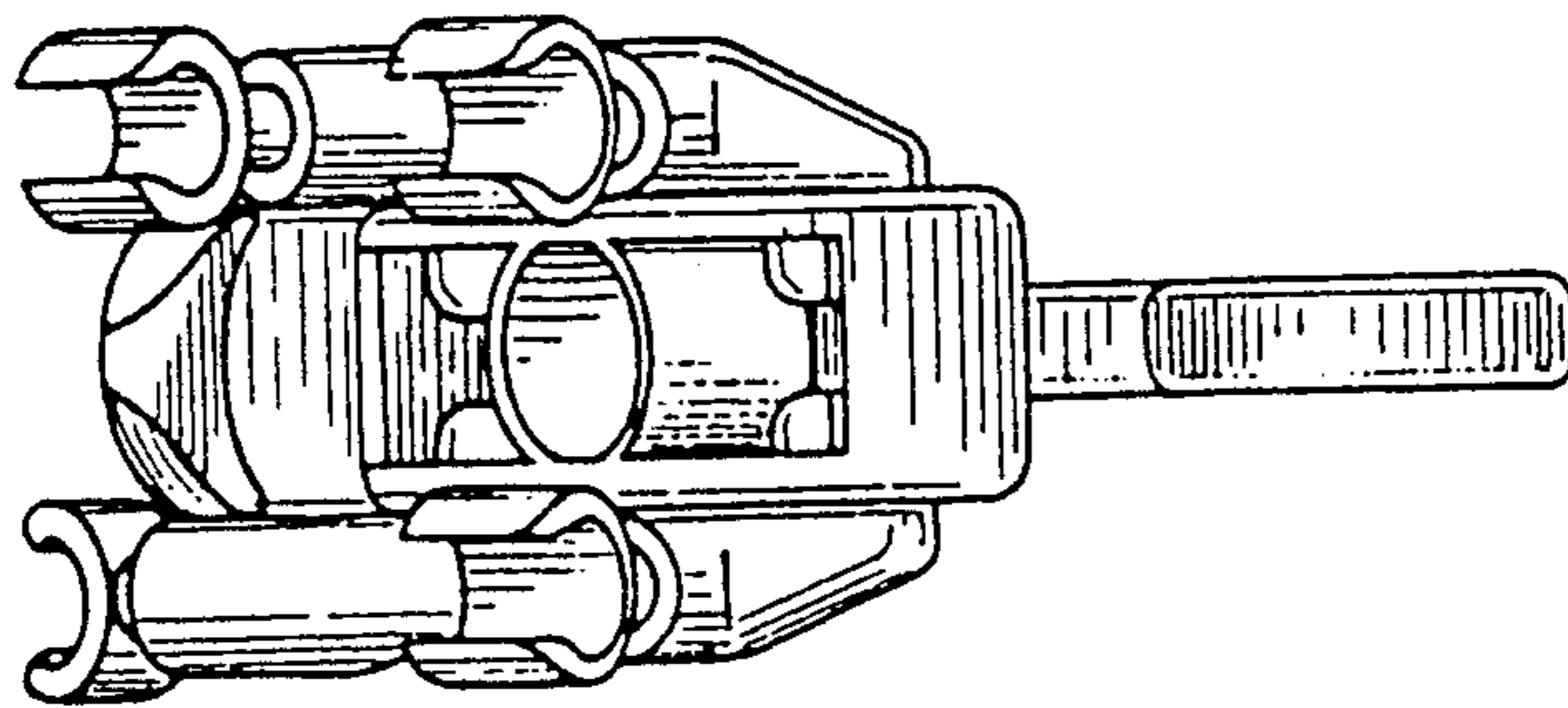


FIG.6

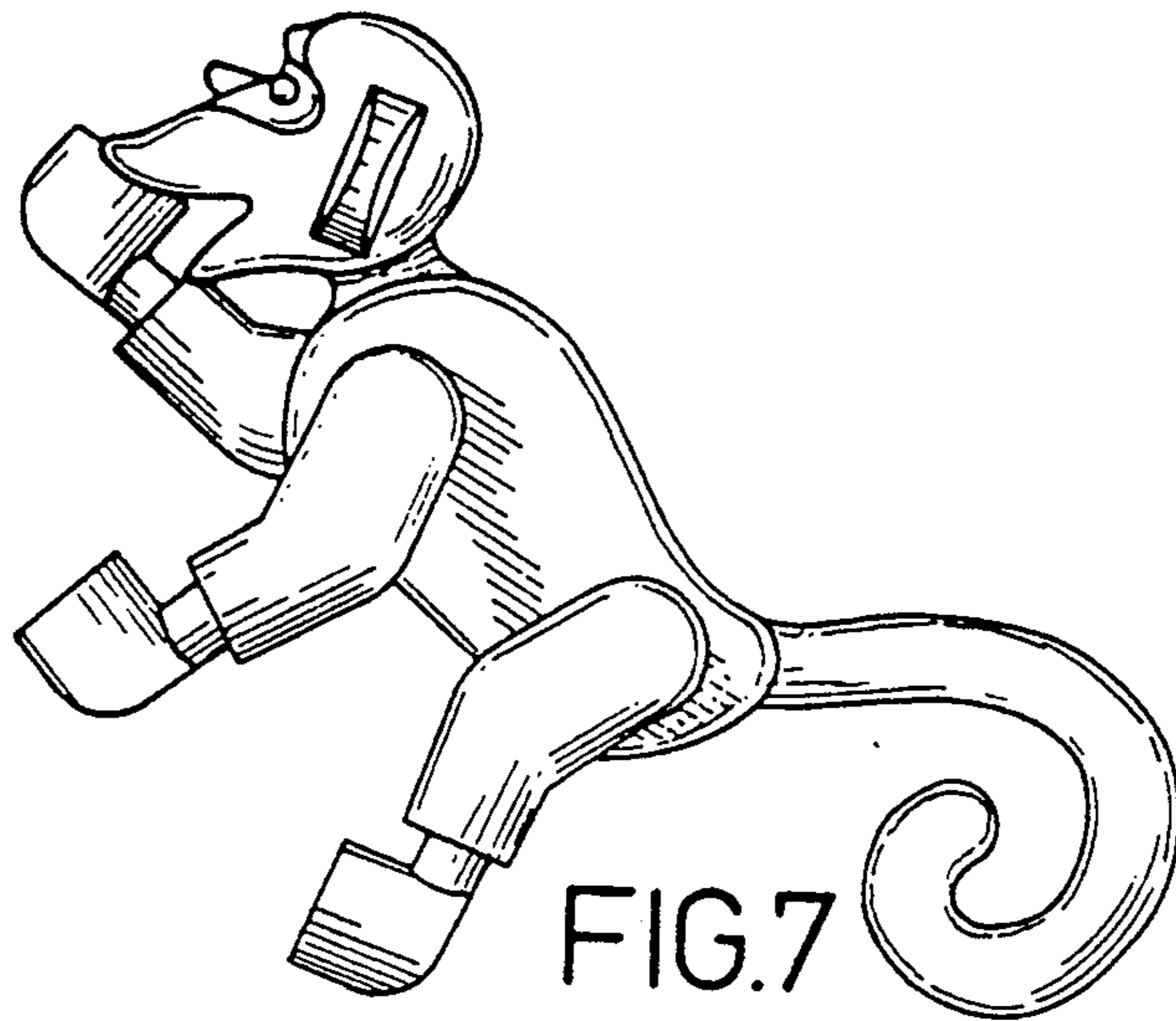


FIG. 7

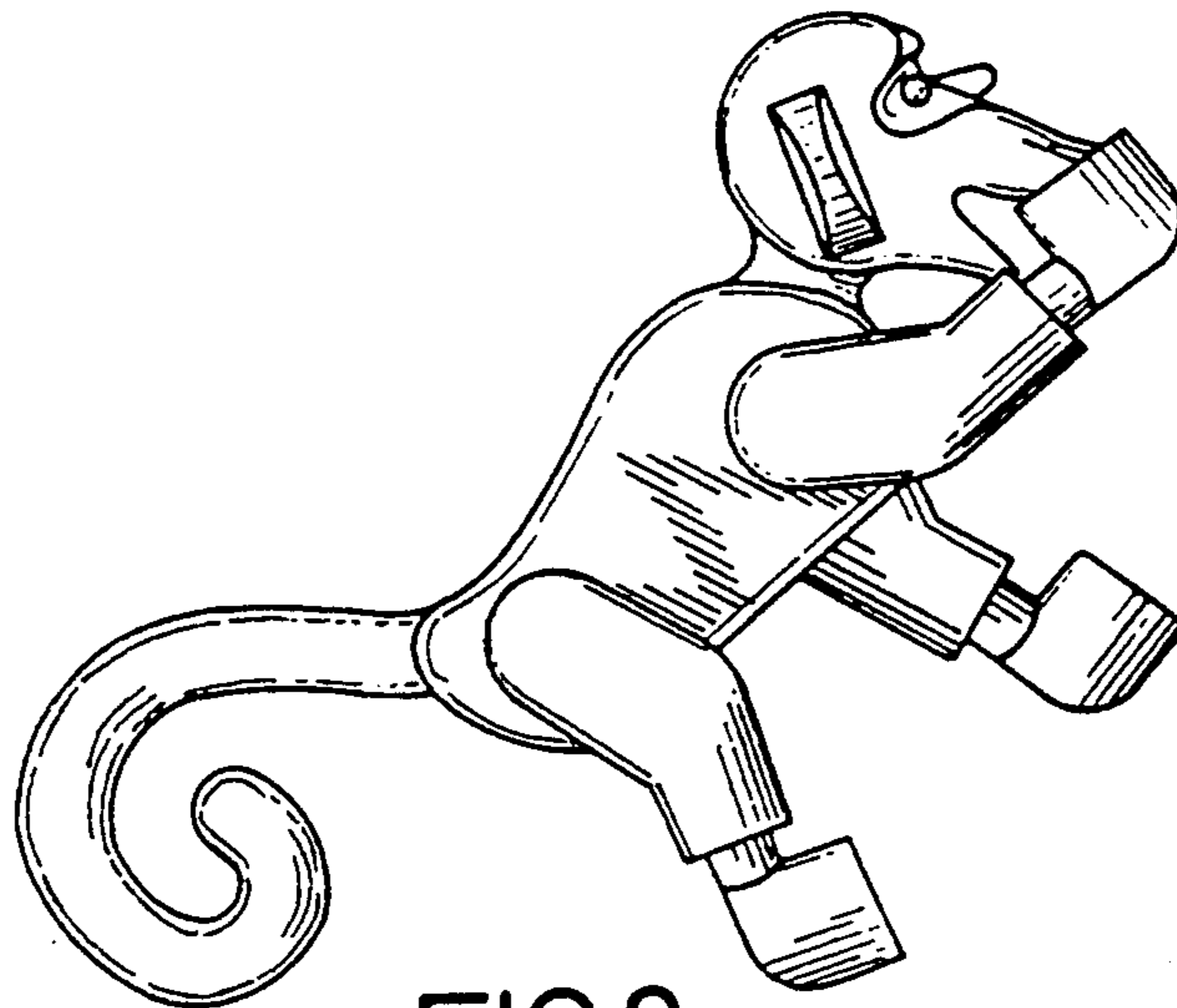


FIG. 8