

[54] TOY FIGURE

[75] Inventor: Janni D. Laursen, Århus N, Denmark

[73] Assignee: Interlego A.G., Switzerland

[**] Term: 14 Years

[21] Appl. No.: 277,914

[22] Filed: Nov. 29, 1988

[52] U.S. Cl. D21/150; D21/108; D21/154

[58] Field of Search D21/150, 166, 108, 154; 446/97, 99, 100, 101, 120, 128

[56] References Cited

U.S. PATENT DOCUMENTS

D. 239,846 5/1976 Knudsen et al. D21/154
4,203,248 5/1980 Tapdrup .

FOREIGN PATENT DOCUMENTS

3223358 12/1983 Fed. Rep. of Germany 446/99

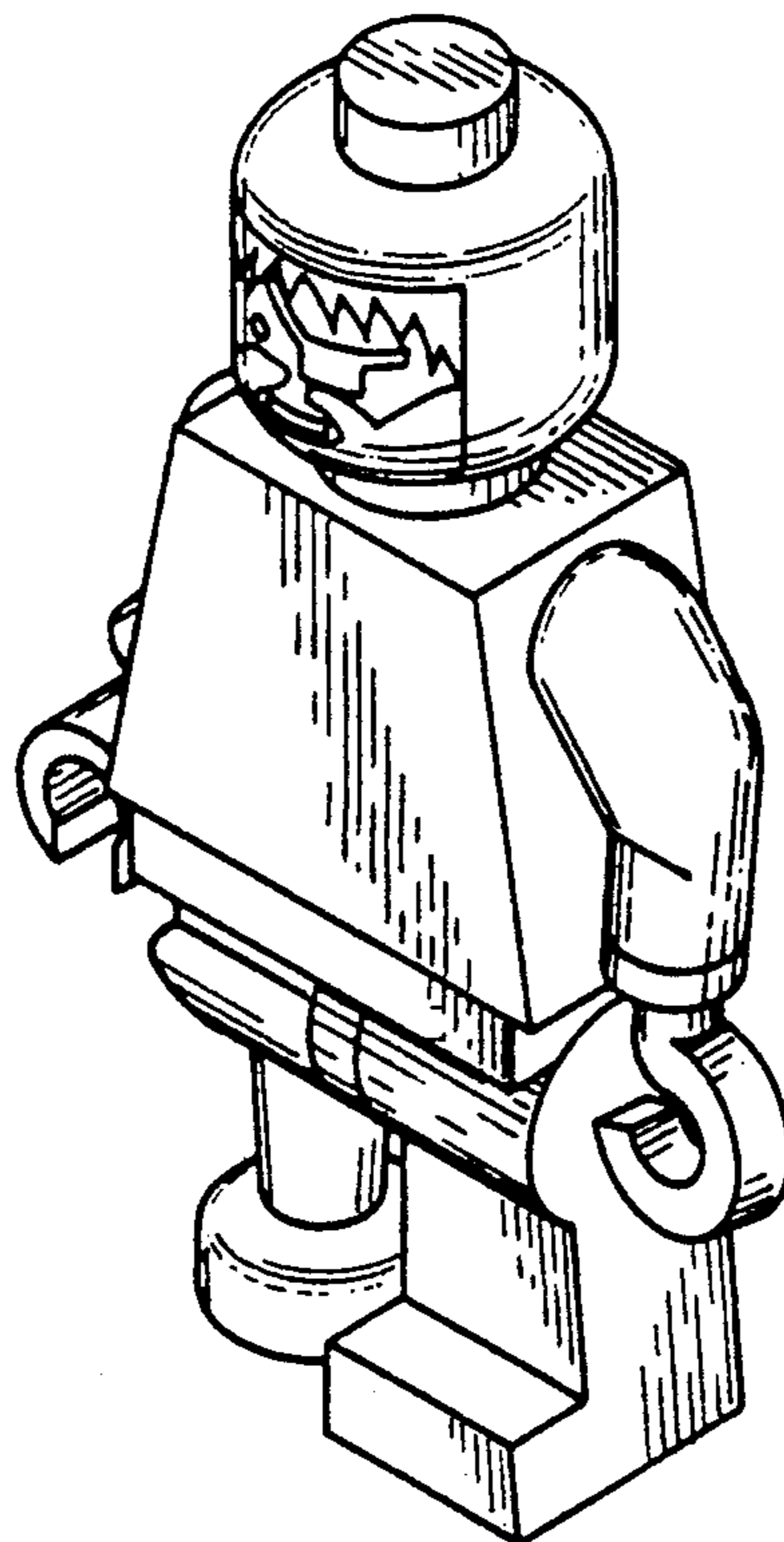
Primary Examiner—Melvin B. Feifer
Attorney, Agent, or Firm—Kane, Dalsimer, Sullivan,
Kurucz, Levy, Eisele and Richard

[57] CLAIM

The ornamental design for a toy figure, as shown and described.

DESCRIPTION

FIG. 1 is a top perspective view of a toy figure showing my new design;
FIG. 2 is a bottom perspective view thereof;
FIG. 3 is a front elevational view thereof;
FIG. 4 is a rear elevational view thereof;
FIG. 5 is a right side elevational view thereof;
FIG. 6 is a left side elevational view thereof;
FIG. 7 is a top plan view thereof;
FIG. 8 is a bottom plan view thereof;
FIG. 9 is a rear perspective view of the toy figure in a walking position;
FIG. 10 is a front perspective view of the toy figure in a walking position.



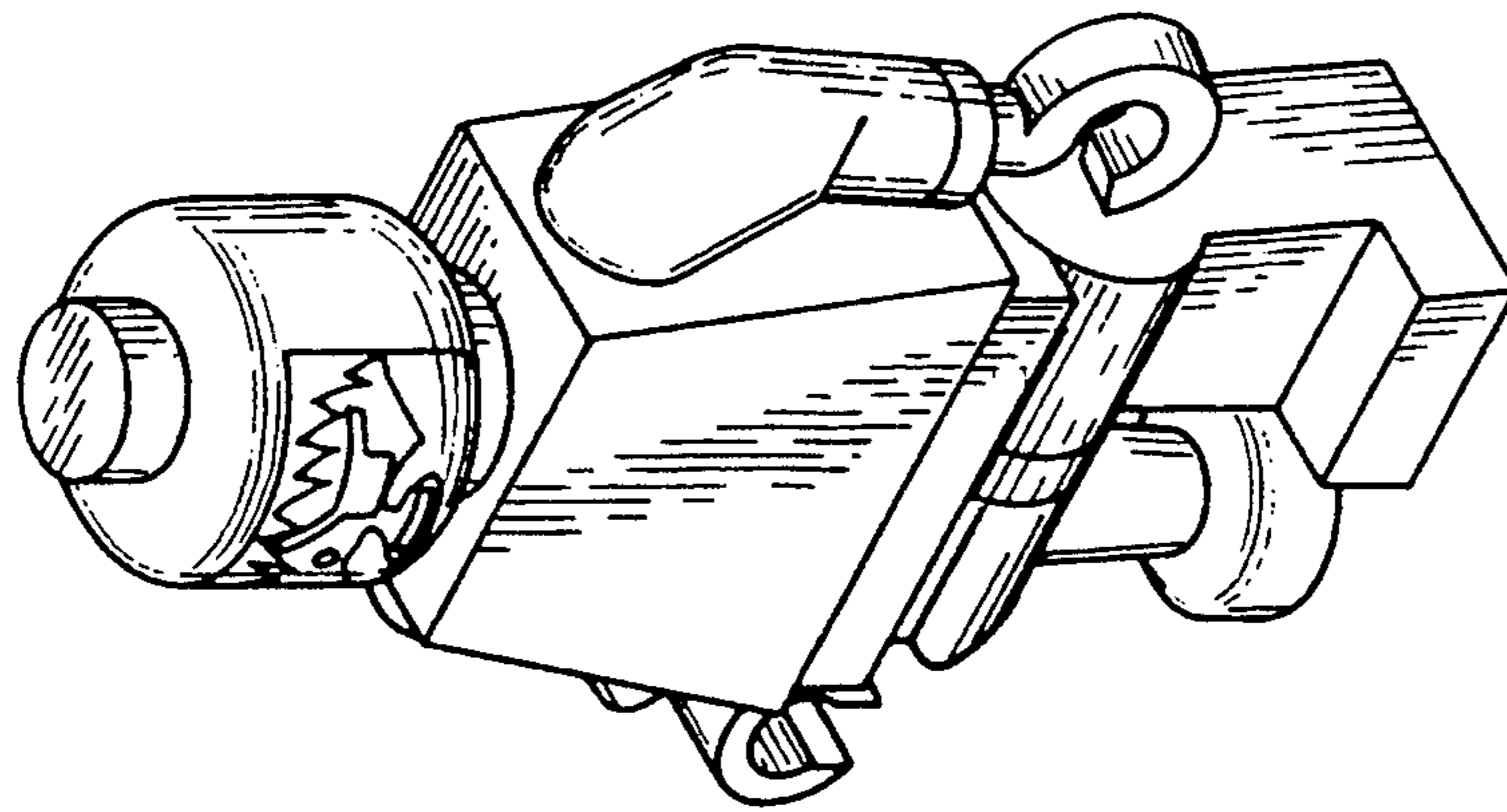


FIG.1

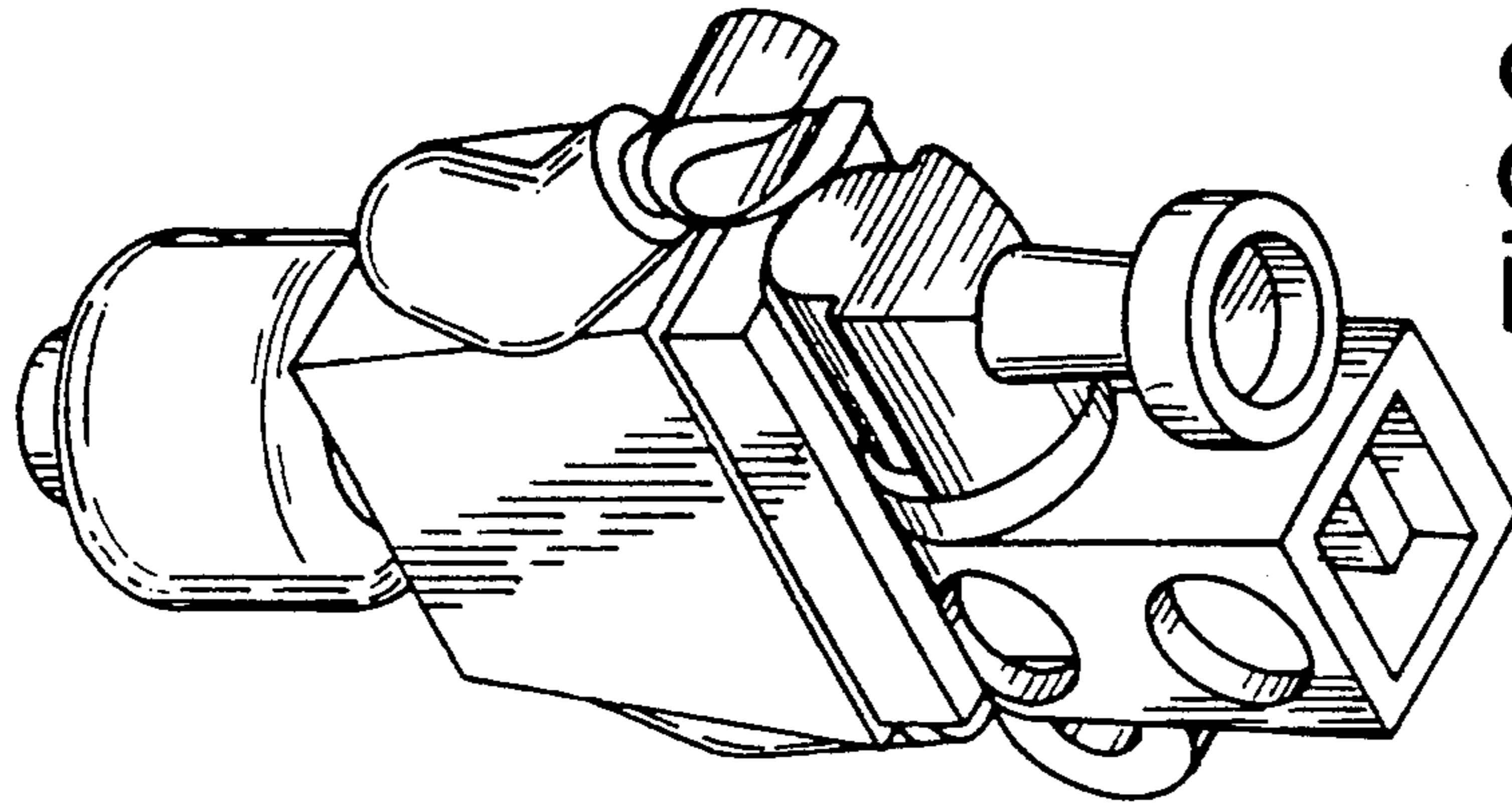


FIG.2

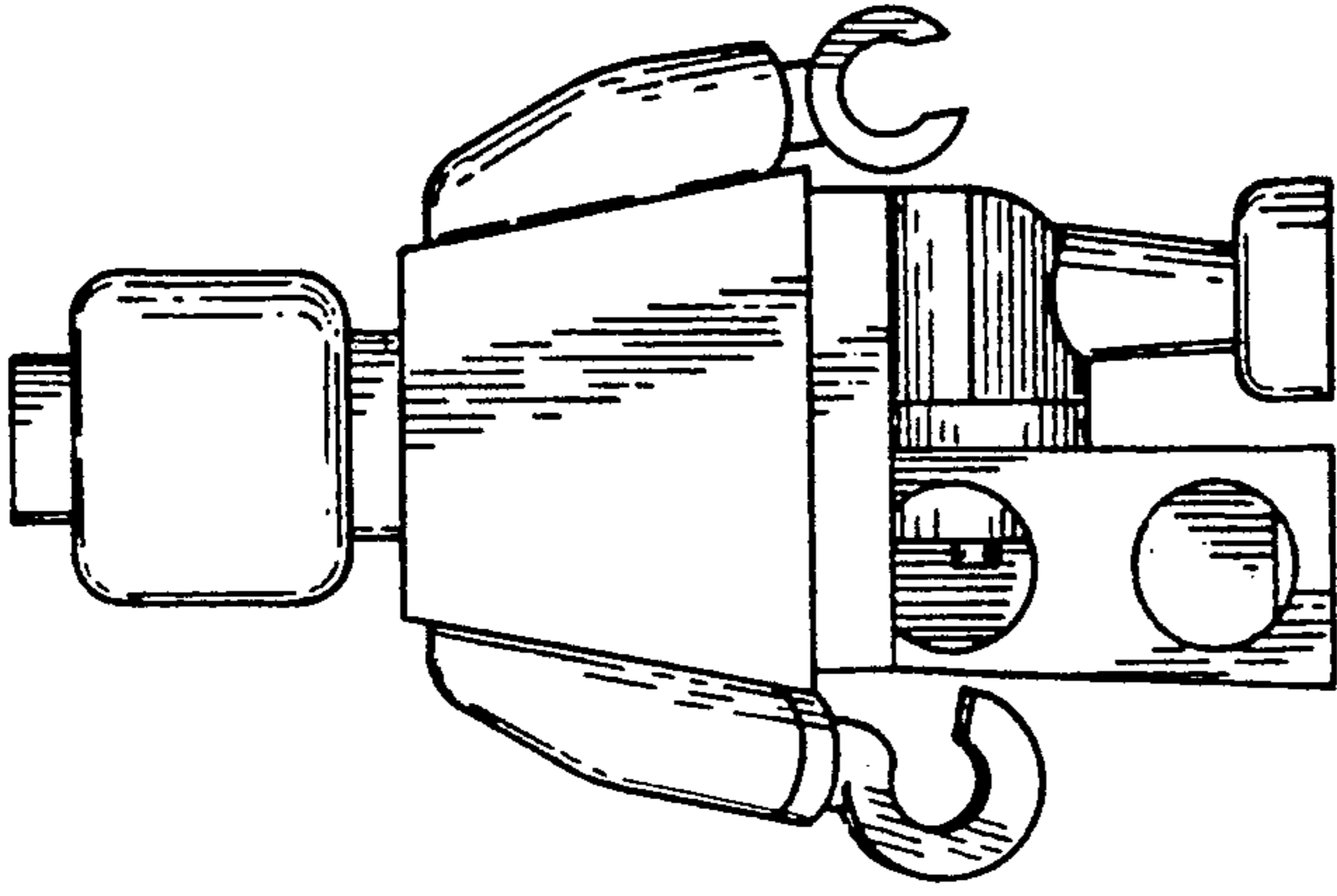


FIG.4

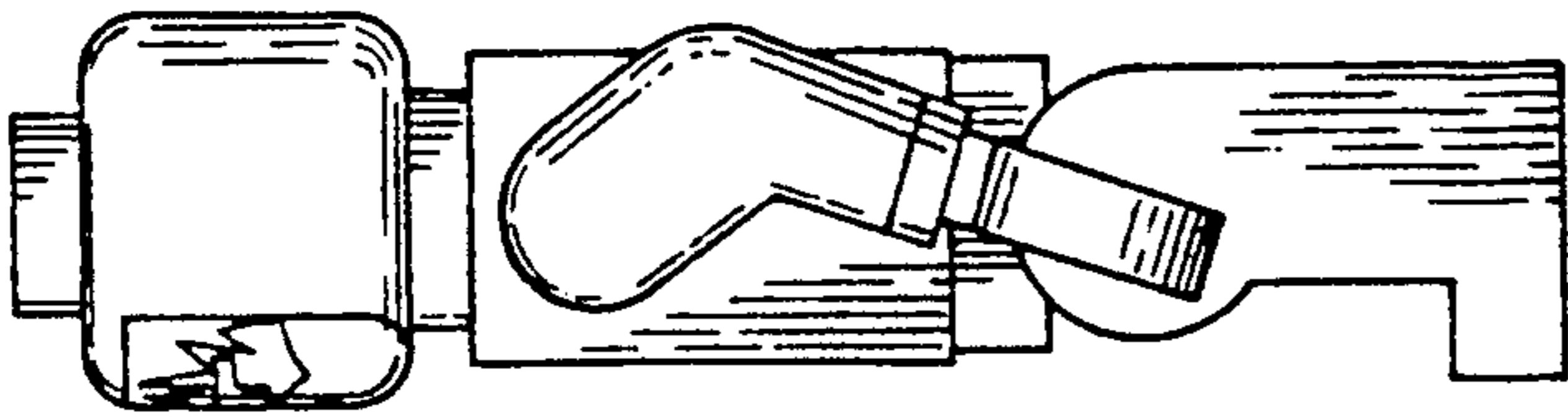


FIG.6

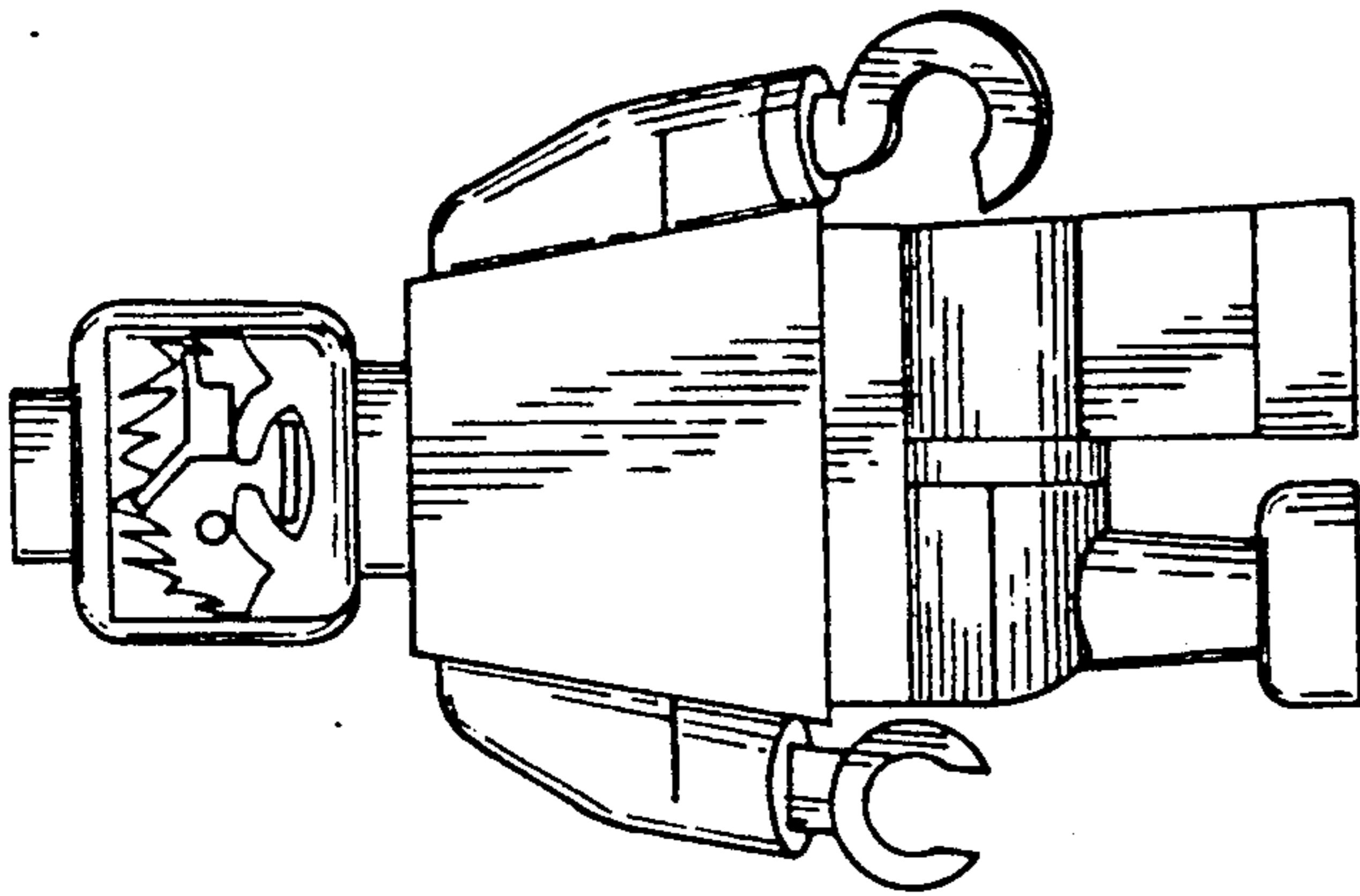


FIG.3

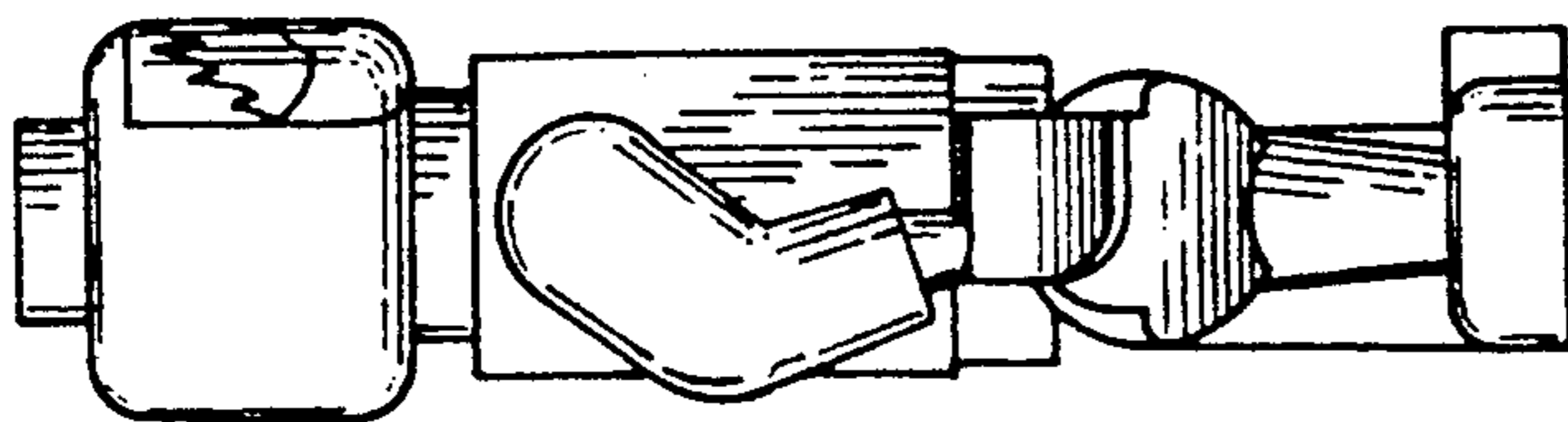


FIG.5

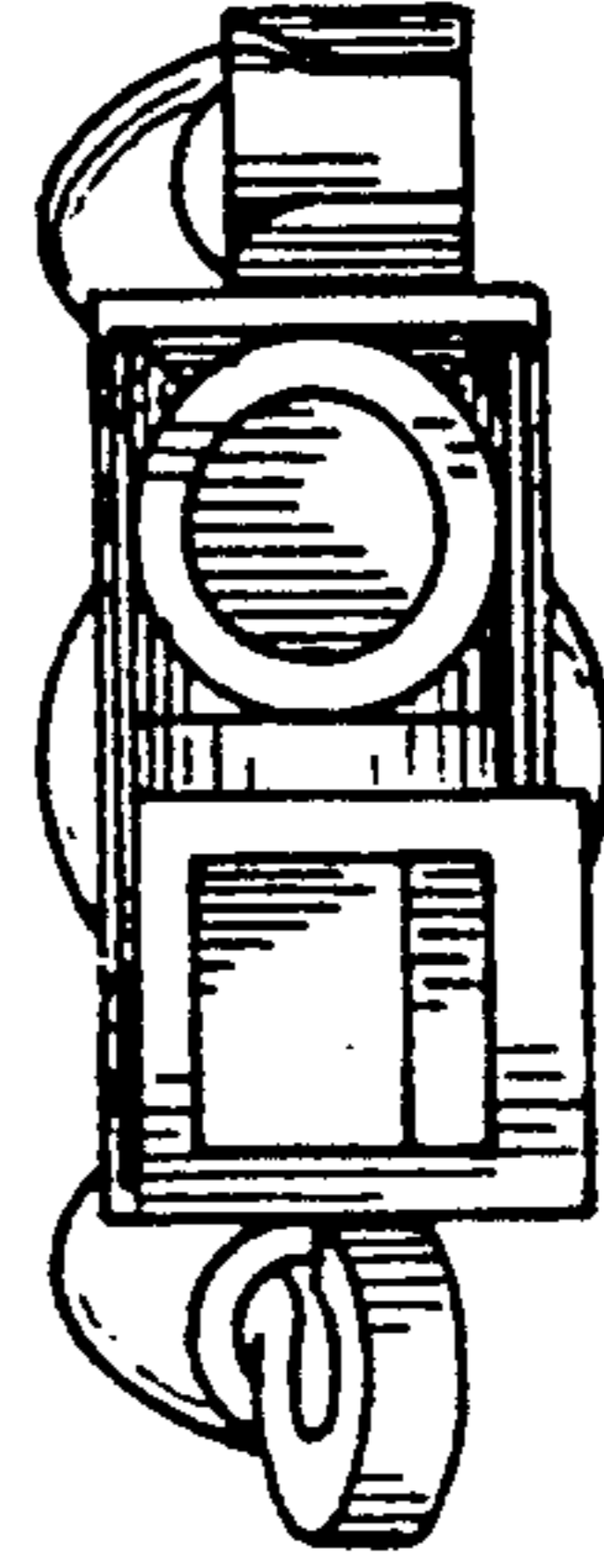


FIG.8

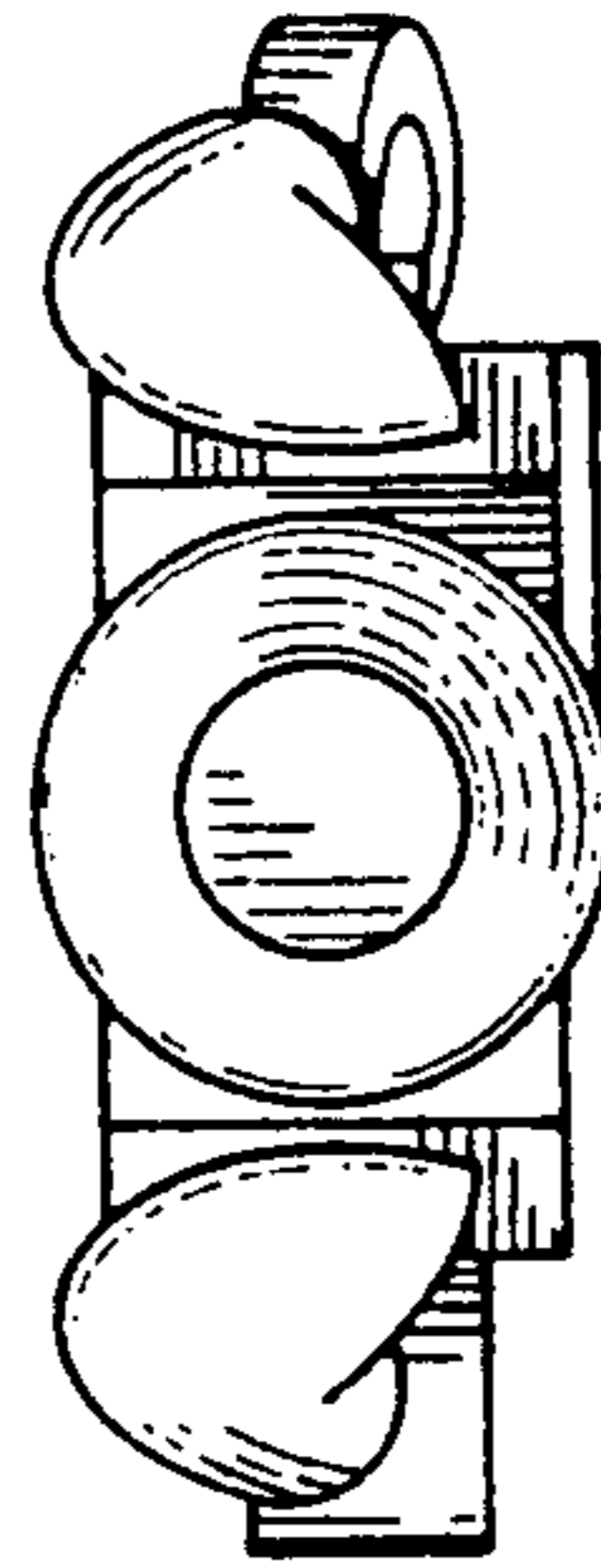


FIG.7

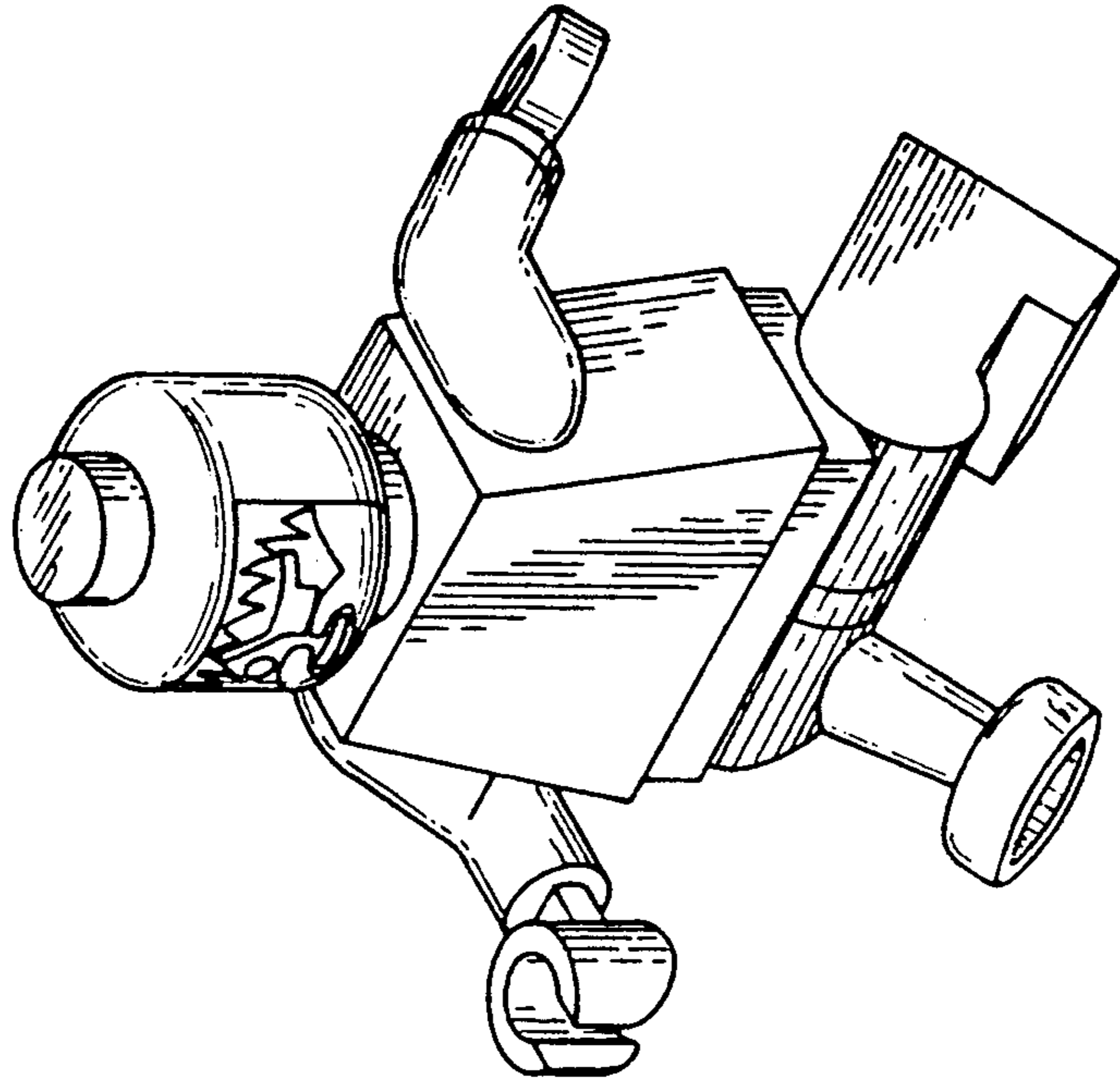


FIG. 10

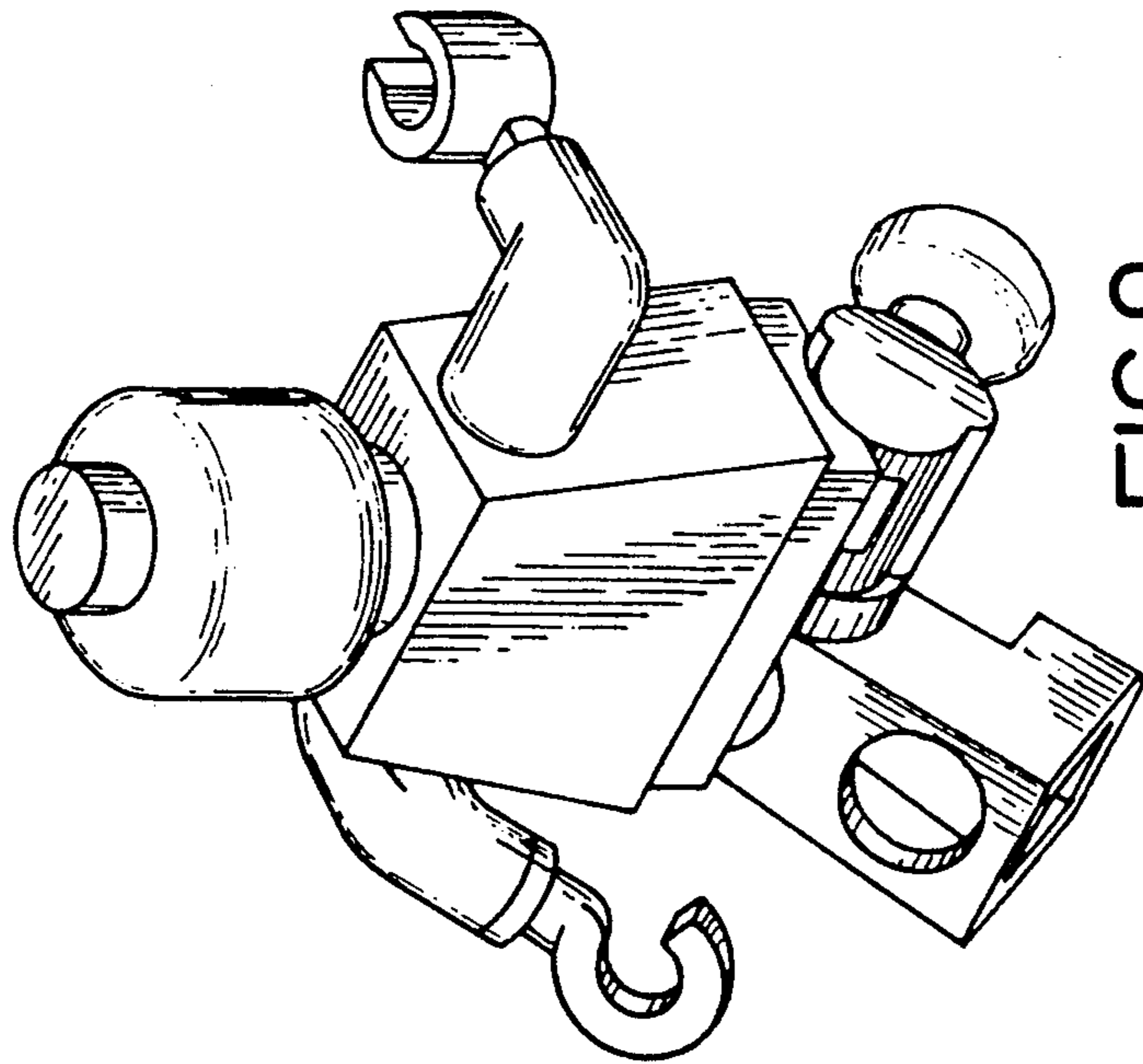


FIG. 9