

[54] **TOY RACING CAR**

[75] **Inventor: Fumito Taki, Shizuoka, Japan**

[73] **Assignee: Kabushiki Kaisha Tamiya Mokei, Shizuoka, Japan**

[**] **Term: 14 Years**

[21] **Appl. No.: 385,483**

[22] **Filed: Jul. 27, 1989**

[52] **U.S. Cl. D21/137**

[58] **Field of Search D21/136, 137; D12/88, D12/86; 446/470, 471, 454, 456, 444, 446**

[56] **References Cited**

PUBLICATIONS

Hong Kong Toys '88, p. 86, lower right.
Hong Kong Toys '88, p. 706, center #56.
Hong Kong Toys '88, p. 367, bottom.

Hong Kong Toys, '88, p. 268, top.

Primary Examiner—Charles A. Rademaker
Assistant Examiner—Raphael Barkai
Attorney, Agent, or Firm—Finnegan, Henderson, Farabow, Garrett & Dunner

[57] **CLAIM**

The ornamental design for a toy racing car, as shown and described.

DESCRIPTION

FIG. 1 is a perspective view of a toy racing car showing my new design;
FIG. 2 is a front elevational view thereof;
FIG. 3 is a rear elevational view thereof;
FIG. 4 is a top plan view thereof;
FIG. 5 is a bottom plan view thereof;
FIG. 6 is a right side elevational view thereof; and
FIG. 7 is a left side elevational view thereof.

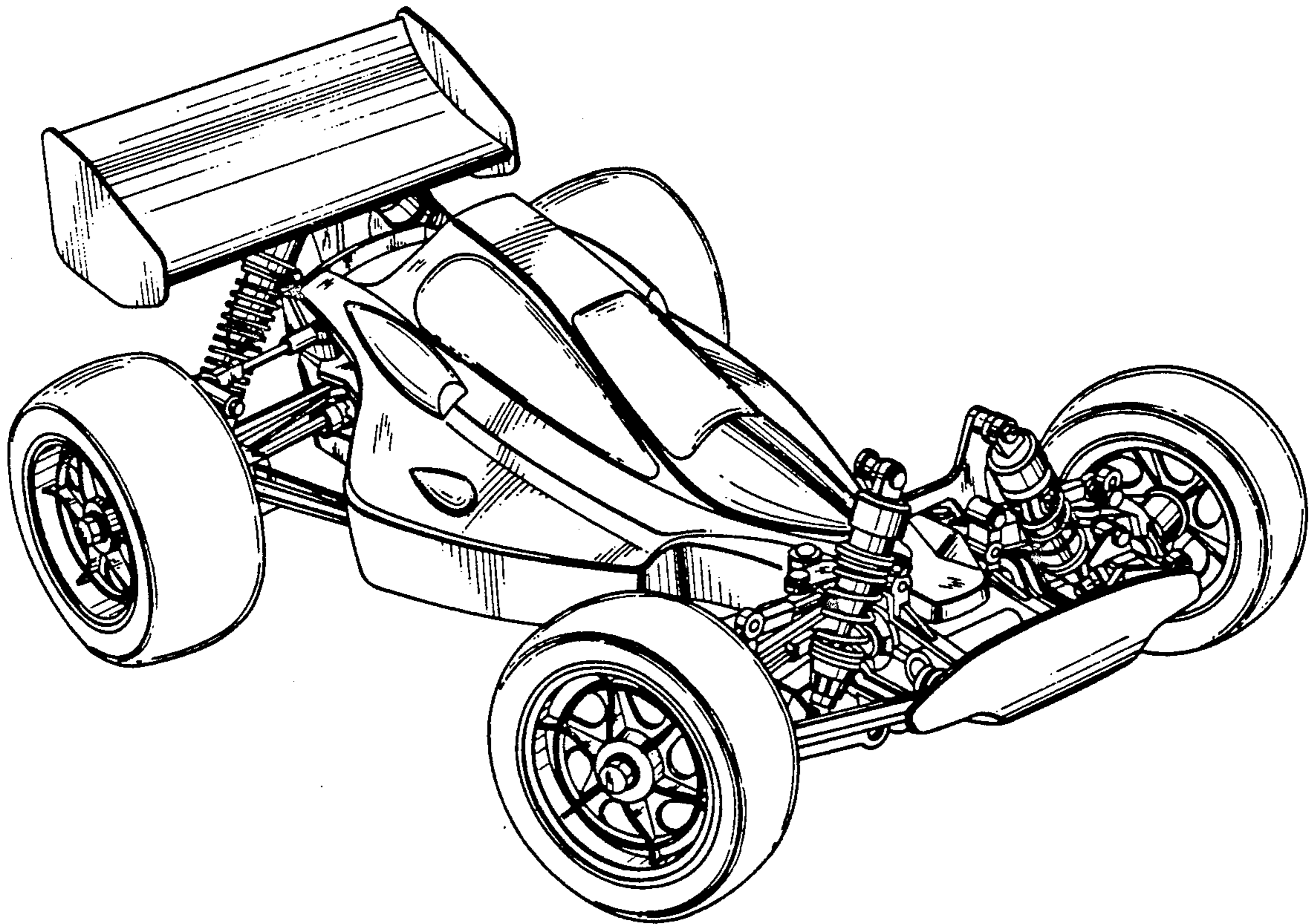


FIG. 1

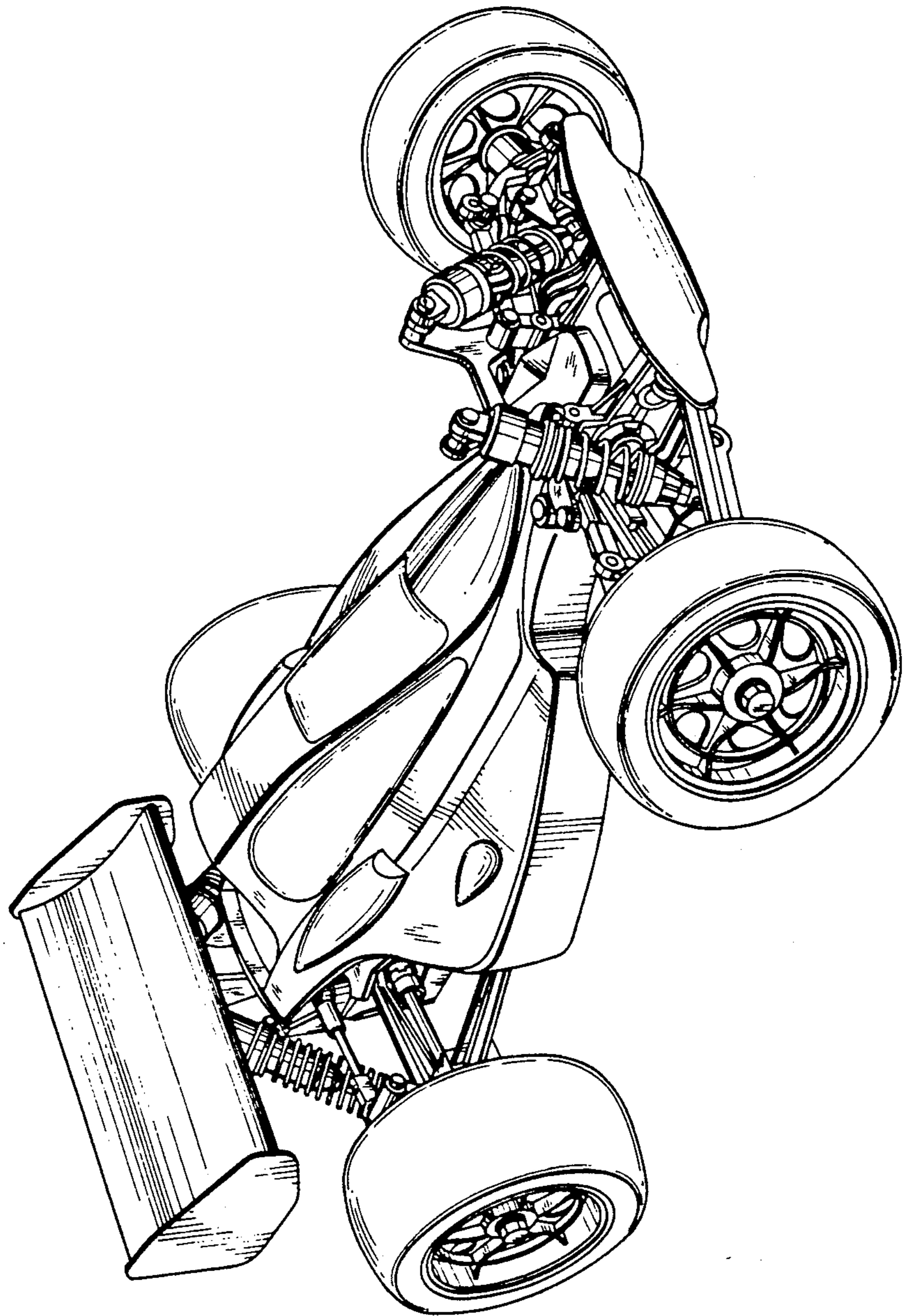


FIG. 2

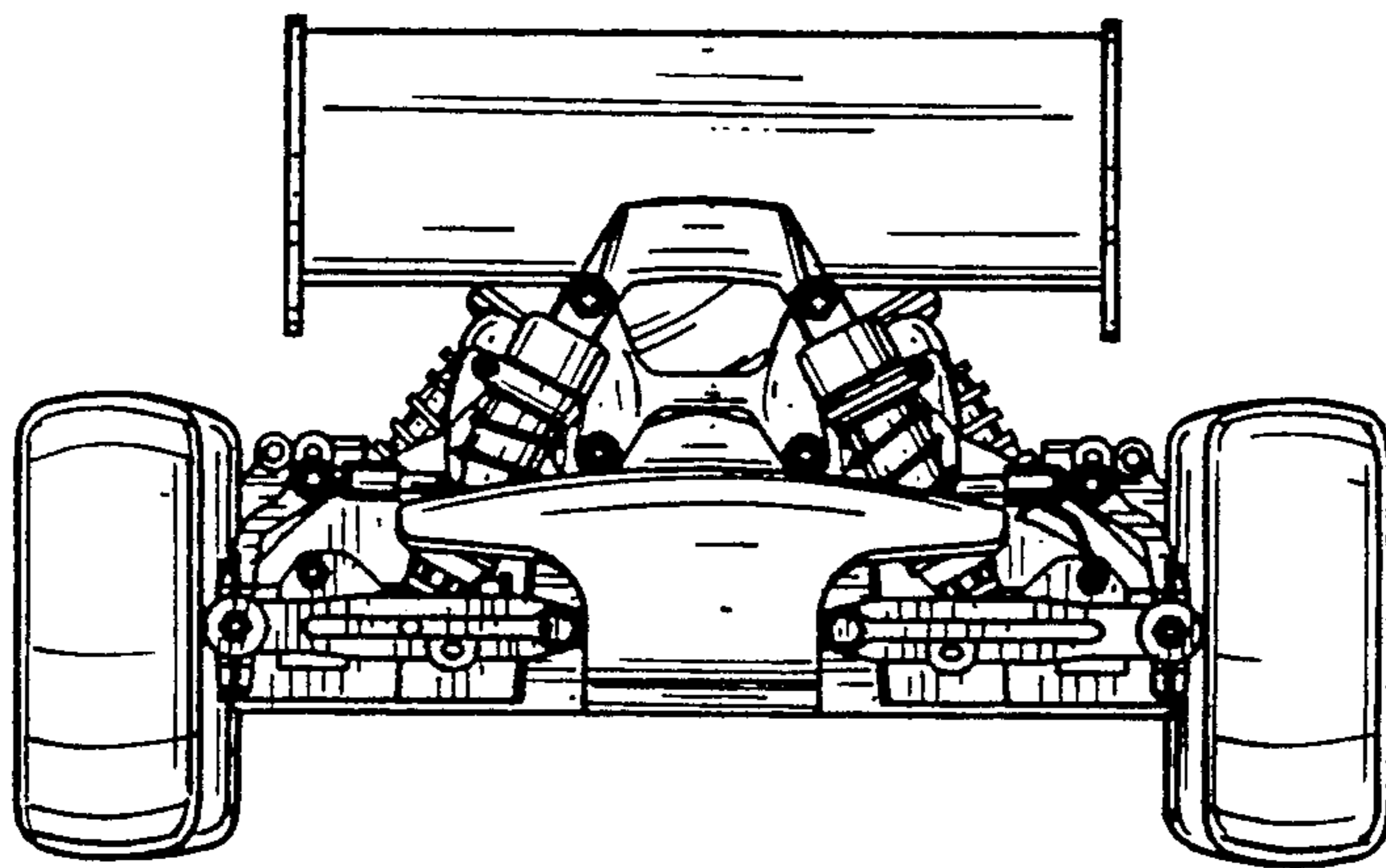


FIG. 3

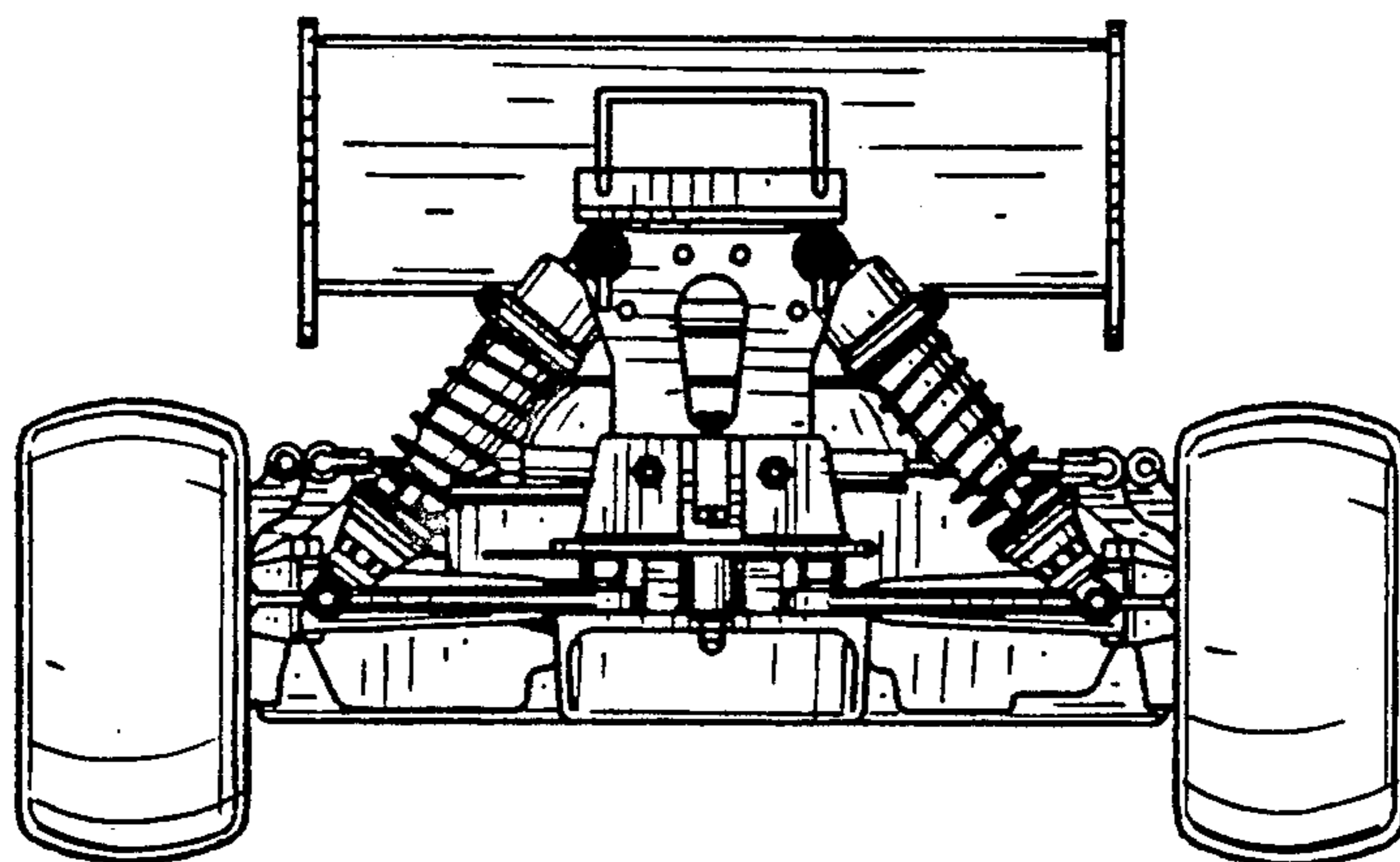


FIG. 4

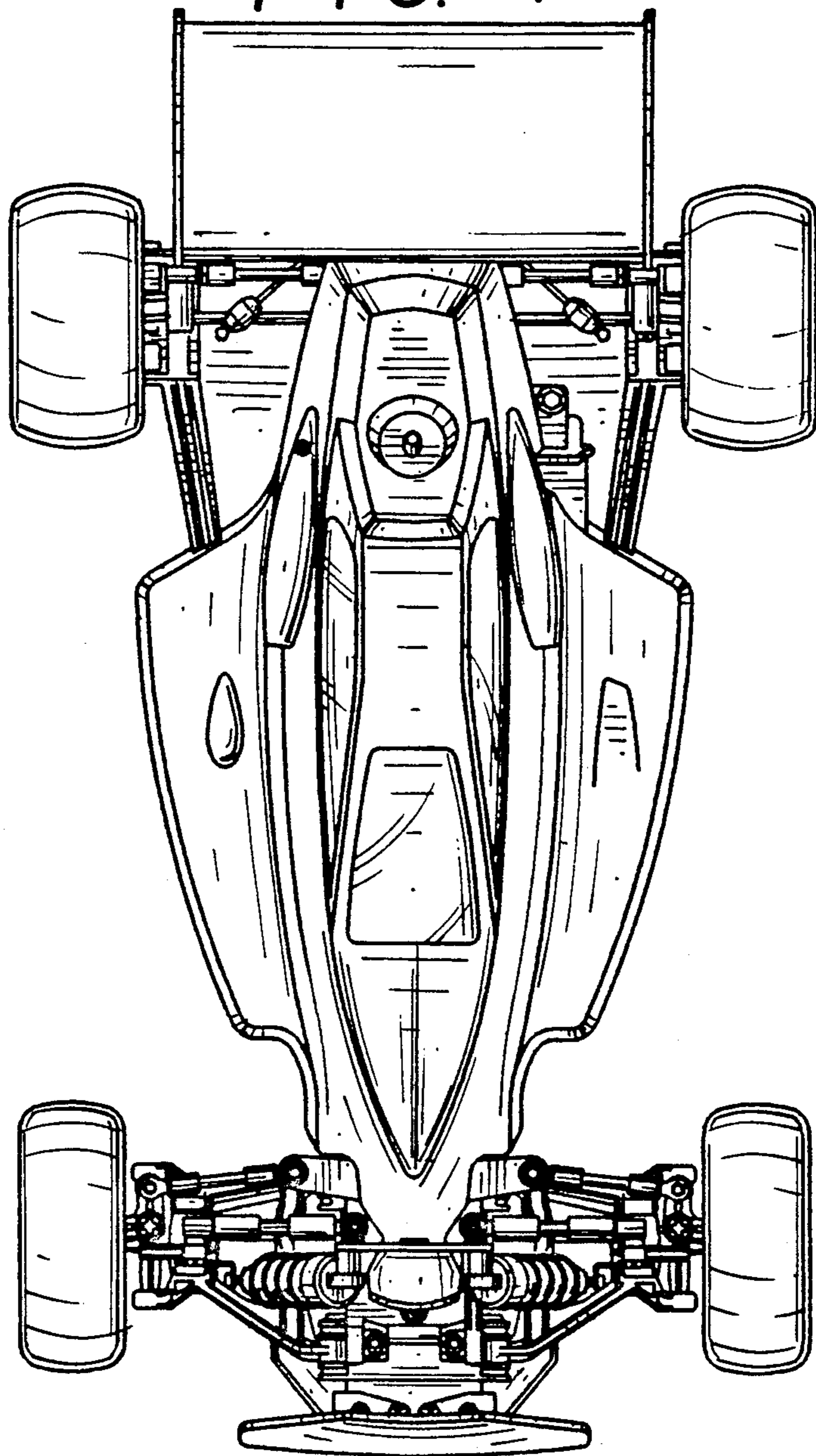


FIG. 5

