

[54] **AVIATION LAP BOARD**

[75] **Inventor: F. Carlos DeWitt, Long Beach, Calif.**

[73] **Assignee: Romana Acosta, Los Angeles, Calif.**

[**] **Term: 14 Years**

[21] **Appl. No.: 563,992**

[22] **Filed: Jul. 27, 1990**

Related U.S. Application Data

[63] Continuation of Ser. No. 31,443, Mar. 30, 1987, abandoned.

[52] **U.S. Cl.** D19/88; D6/406

[58] **Field of Search** D6/406, 419, 420, 422-428,
D6/310-314, 429-431; D19/52, 88; 248/460,
461, 451, 453, 454

[56] **References Cited**

U.S. PATENT DOCUMENTS

D. 134,966	2/1943	Brinker	D19/88
D. 228,528	10/1973	Smith, Jr.	D19/88
D. 266,857	11/1982	Greenlees	D19/88
D. 282,792	3/1986	Zinbarg	D6/406
D. 287,914	1/1987	Woolf	D6/419
D. 298,955	12/1988	Zovar	D19/88
4,555,128	11/1985	White et al.	248/451 X

Primary Examiner—Carmen H. Vales-Lado
Attorney, Agent, or Firm—Stetina and Brunda

[57] **CLAIM**

The ornamental design for an aviation lap board, as shown and described.

DESCRIPTION

FIG. 1 is a top perspective view of the aviation lap board showing my new design;

FIG. 2 is a rear perspective view thereof; and

FIG. 3 is a top perspective view in open condition.

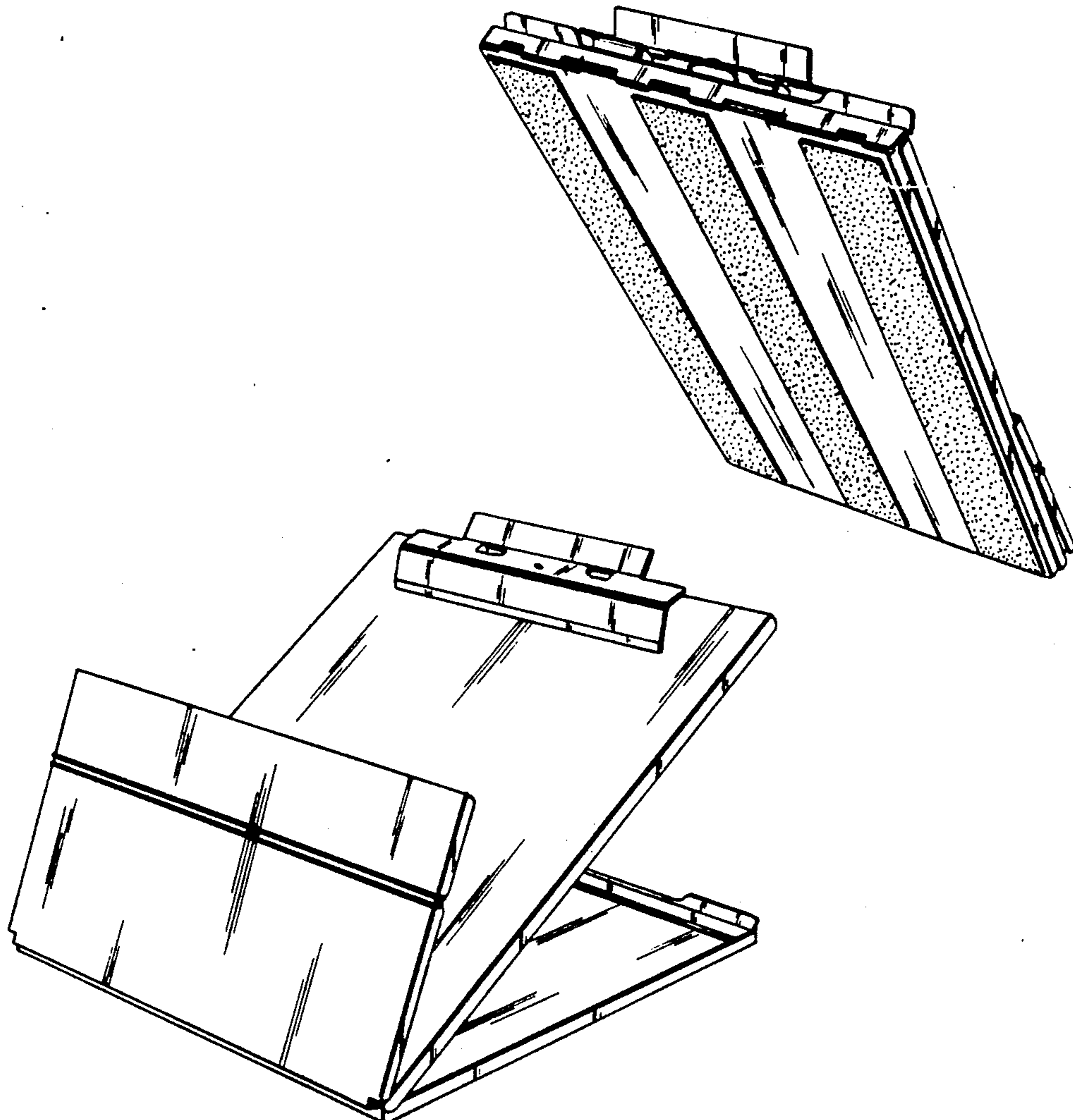


Fig. 1

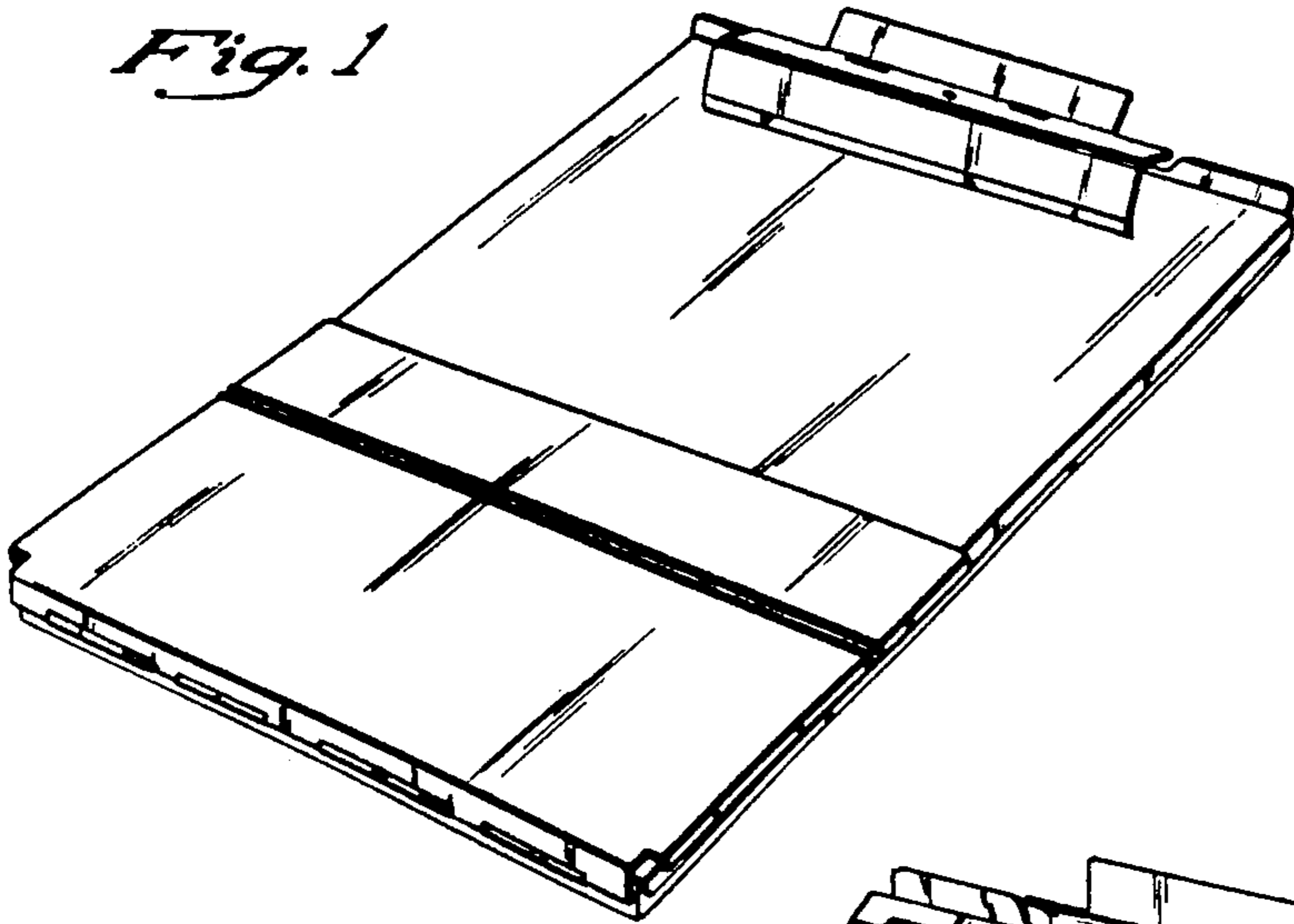


Fig. 2

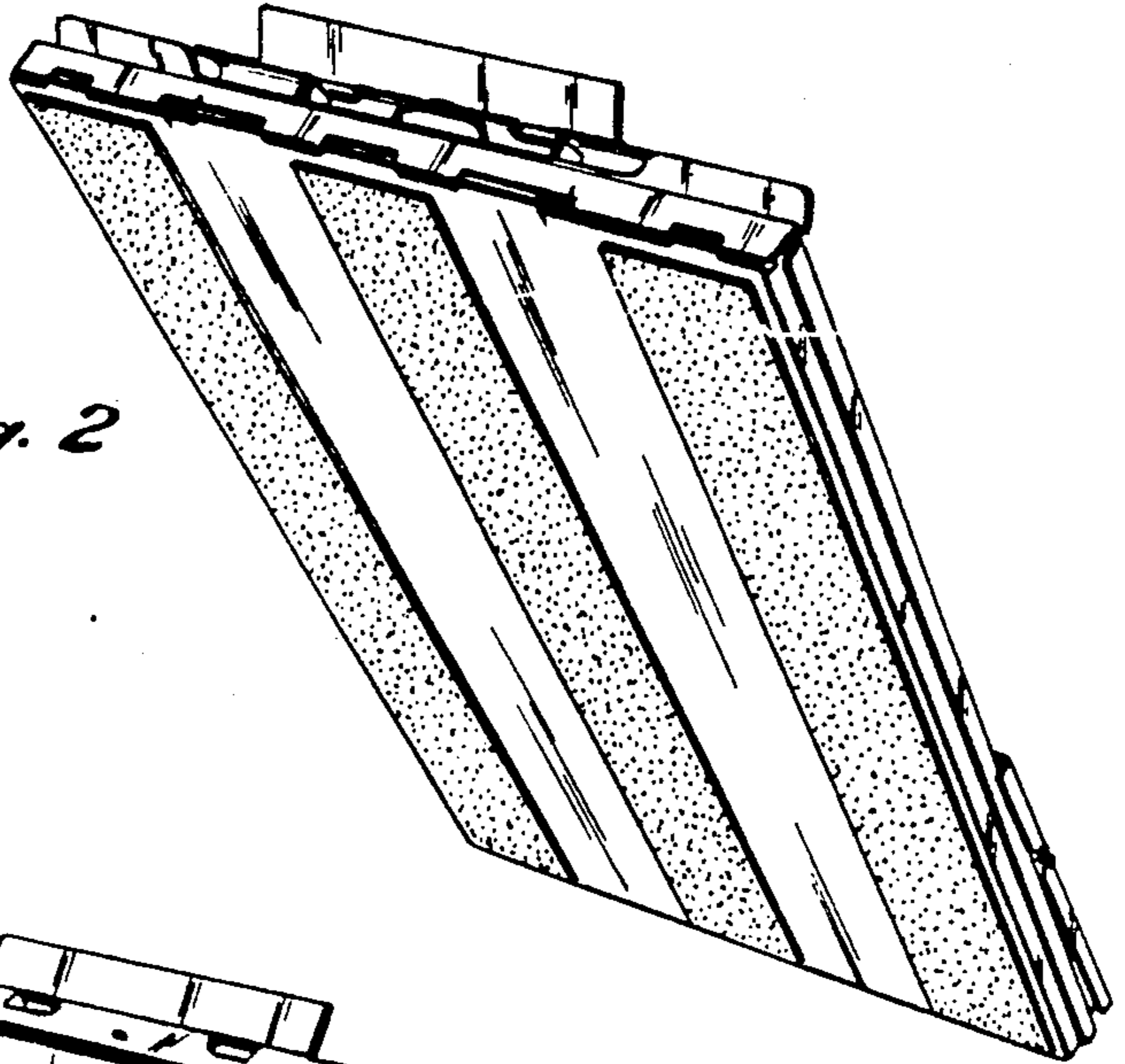


Fig. 3

