

[54] PRINTER

[75] Inventors: Yoshinoro Kakiuchi; Toru Irie; Makoto Maki, all of Kawasaki, Japan

[73] Assignee: Fujitsu Limited, Kanagawa, Japan

[**] Term: 14 Years

[21] Appl. No.: 131,548

[22] Filed: Dec. 10, 1987

[30] Foreign Application Priority Data

Jun. 12, 1987 [JP] Japan 62-24171
[52] U.S. Cl. D18/13
[58] Field of Search D18/13, 36; D14/100, D14/107, 111, 118; 101/420, 130; 400/126, 613, 691-694, 613.1-613.4; 364/708

[56] References Cited

U.S. PATENT DOCUMENTS

D. 232,195 7/1974 Conway D18/13
D. 275,677 9/1984 Suzuki et al. D18/13
D. 288,929 3/1987 Giannotti, Jr. et al. D14/111
D. 312,475 11/1990 Yoshida D18/13

Primary Examiner—James R. Largen
Assistant Examiner—Cathy Anne MacCormac
Attorney, Agent, or Firm—Staas & Halsey

[57] CLAIM

The ornamental design for a printer, as shown and described.

DESCRIPTION

FIG. 1 is a perspective view taken from the top, front and right side of a printer showing our new design; FIG. 2 is a front elevational view thereof; FIG. 3 is a right-side elevational view thereof; FIG. 4 is a left-side elevational view thereof; FIG. 5 is a rear elevational view thereof; FIG. 6 is a bottom plan view thereof; and FIG. 7 is a top plan view thereof.

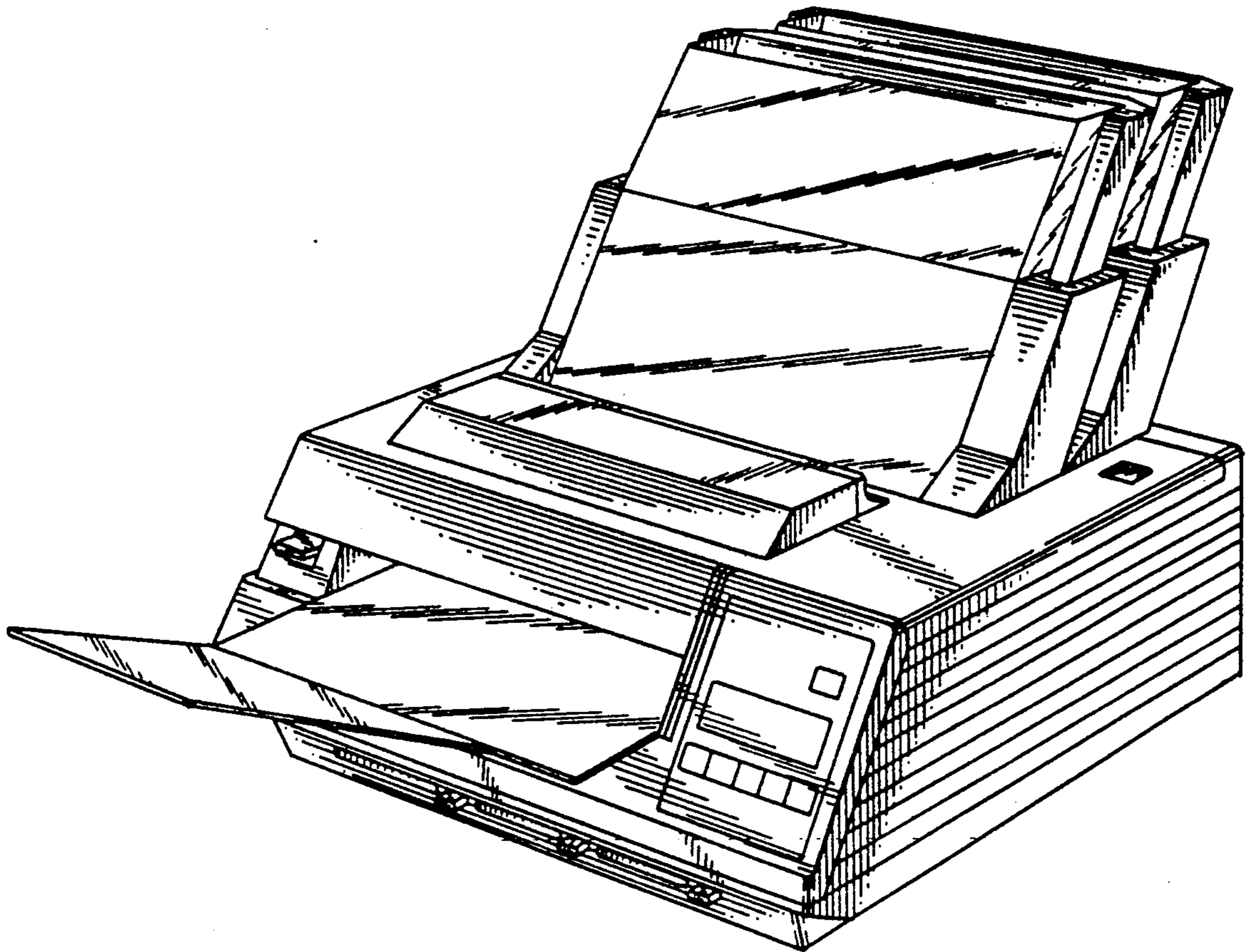


FIG. 1

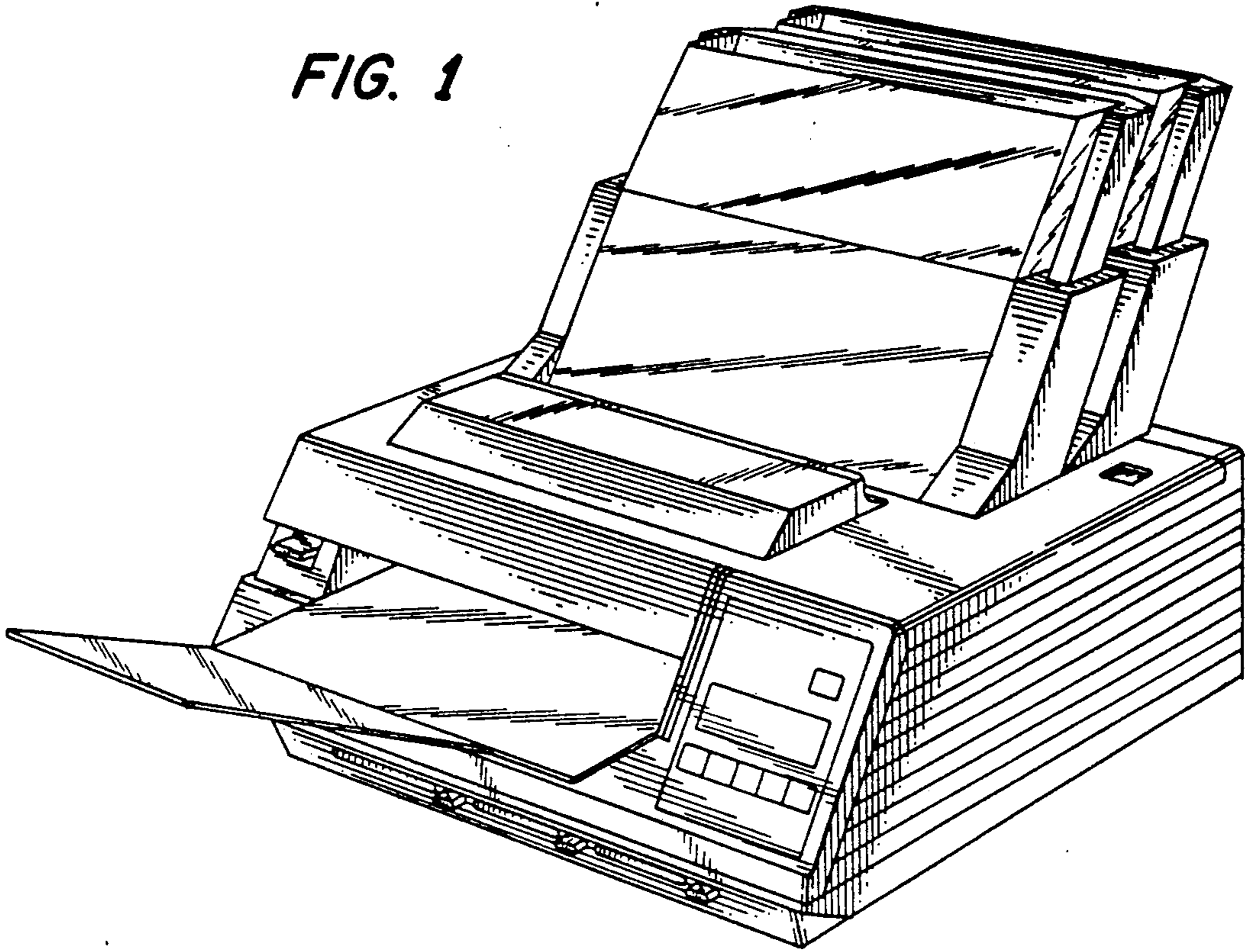


FIG. 2

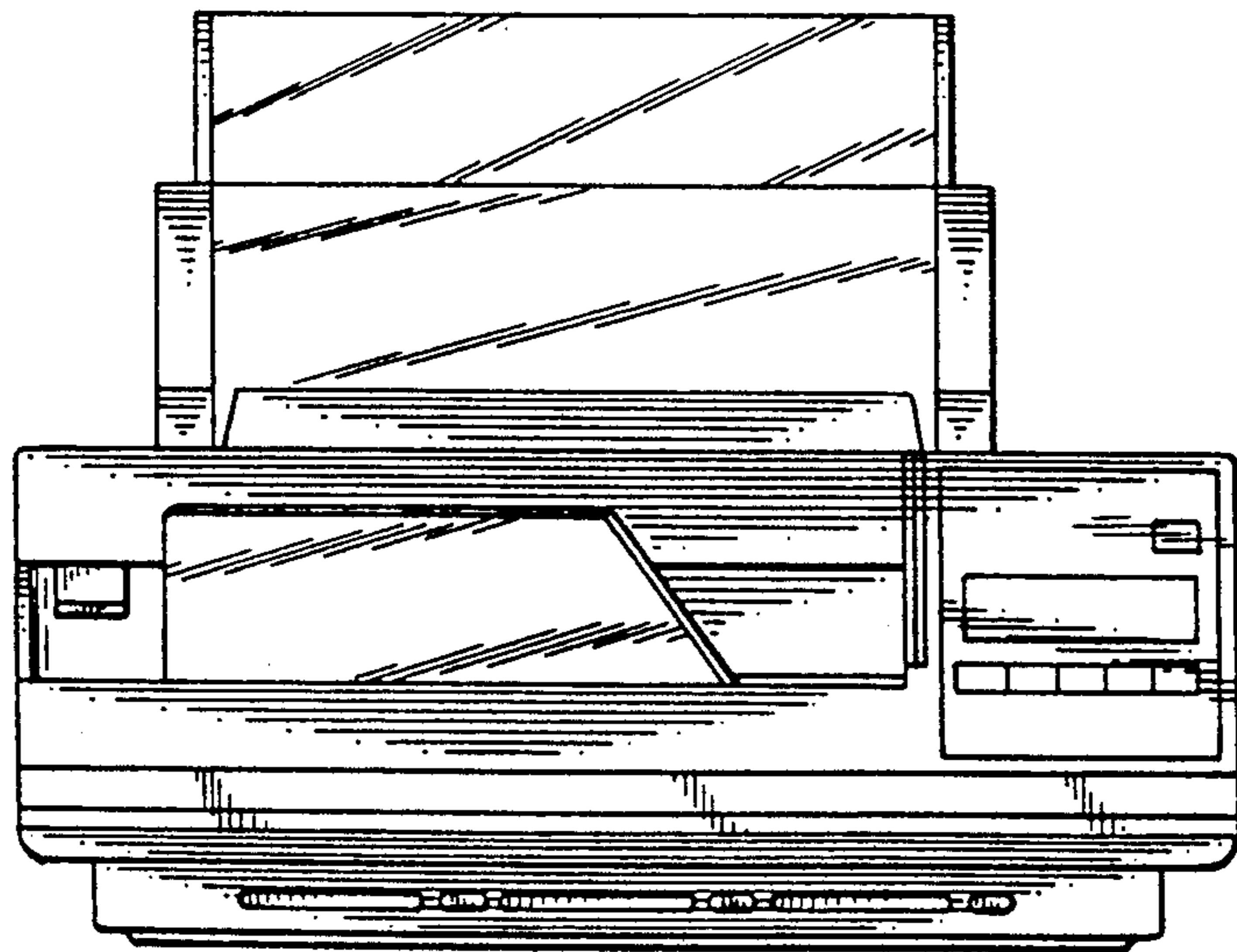


FIG. 3

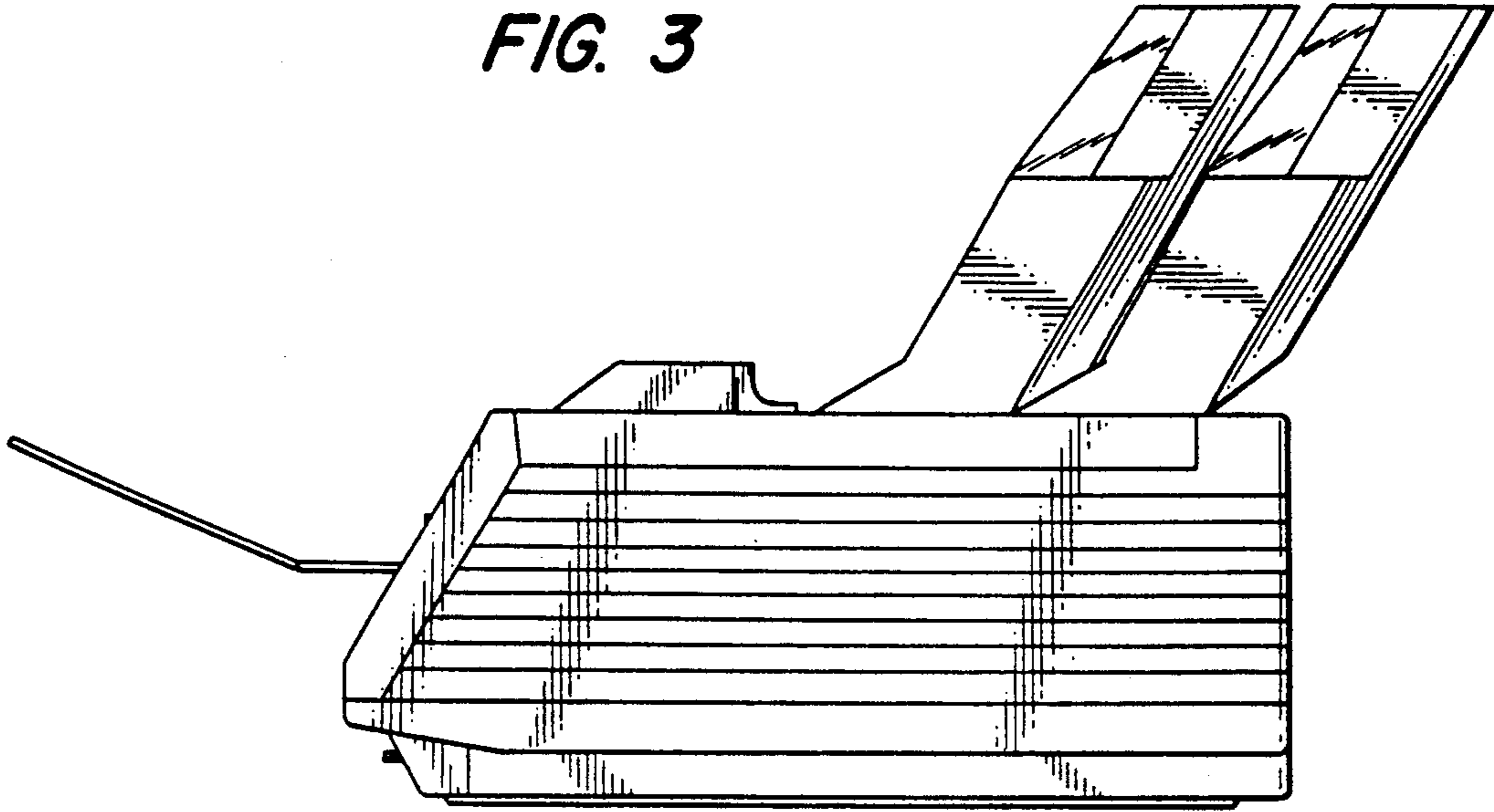


FIG. 4

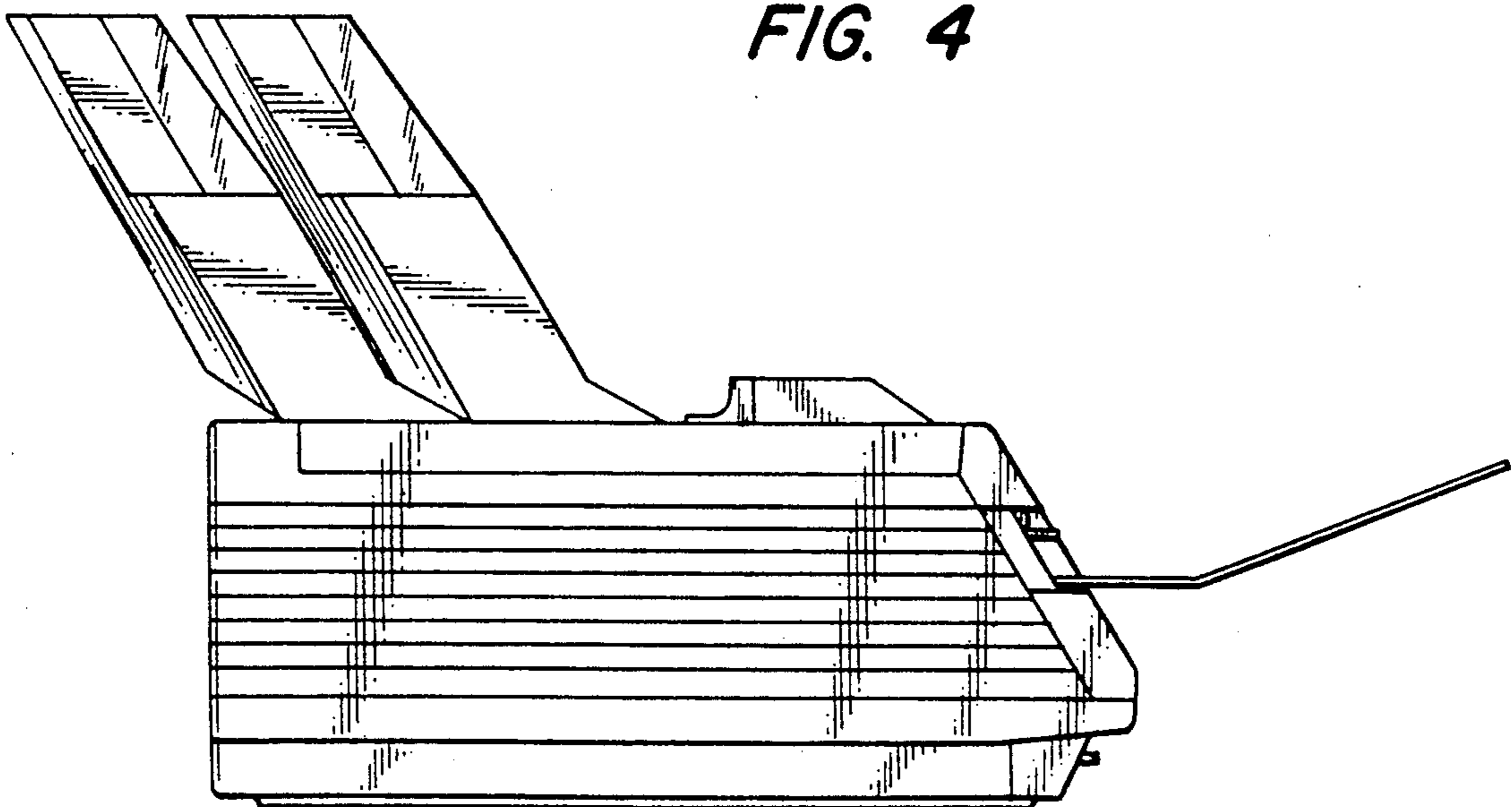


FIG. 5

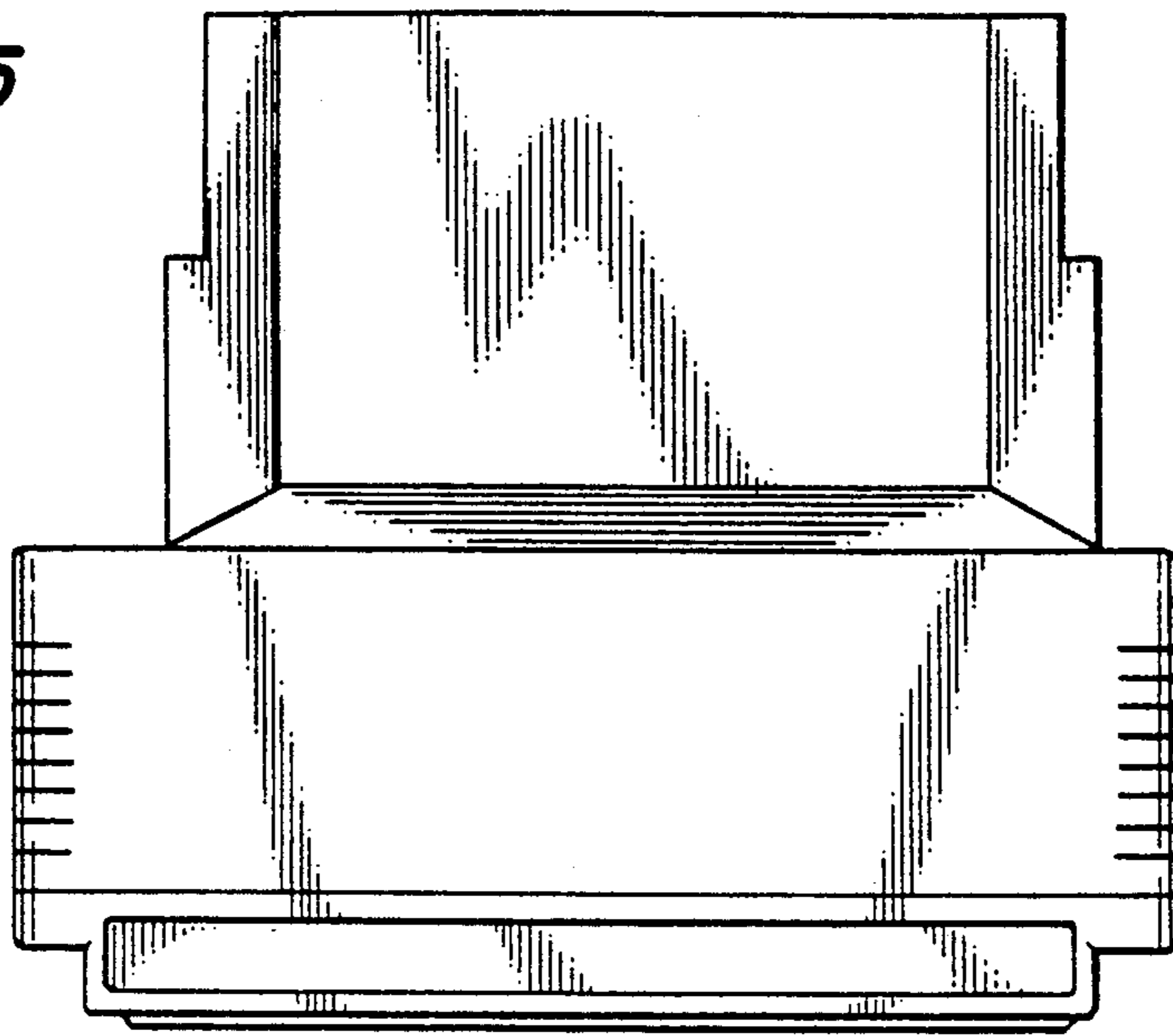


FIG. 6

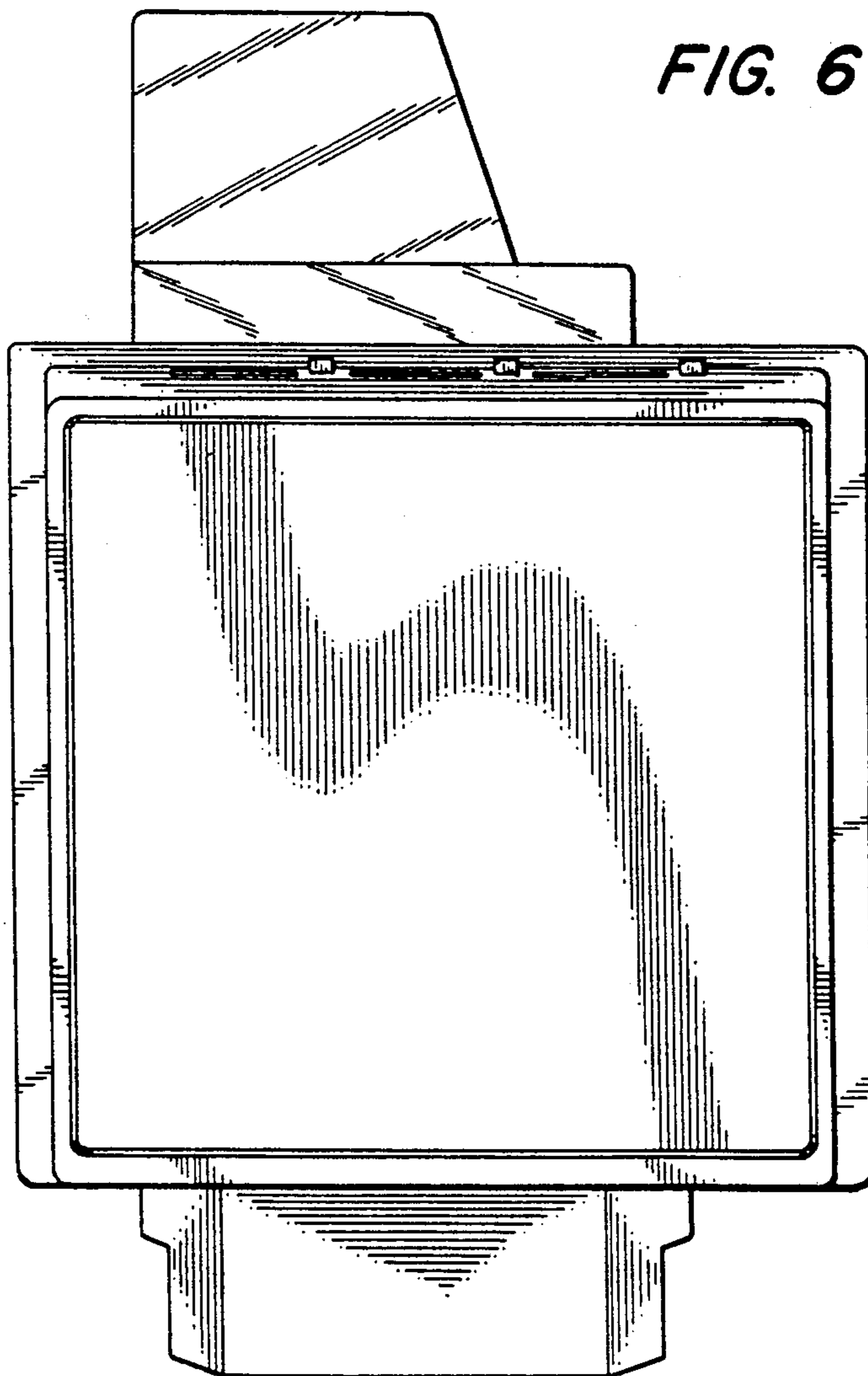


FIG. 7

