

[54] LAPTOP COMPUTER OR SIMILAR ARTICLE

[75] Inventor: Farad Azima, Cambridge, England
[73] Assignee: Mission Cyrus Corporation, Burnaby, Canada
[**] Term: 14 Years
[21] Appl. No.: 457,936
[22] Filed: Dec. 27, 1989

[30] Foreign Application Priority Data

Nov. 10, 1989 [GB] United Kingdom 2002365
[52] U.S. Cl. D14/106
[58] Field of Search D14/100, 101, 106, 107;
D18/1, 7, 11, 12; 235/145 A, 145 R; 340/700,
706, 711, 712; 341/22, 23; 364/708

[56] References Cited

U.S. PATENT DOCUMENTS

D. 295,176 4/1988 Nishimoto et al. D14/106
D. 295,519 5/1988 Kimble D14/106
D. 308,194 5/1990 Messerschmidt et al. D14/106
D. 308,861 6/1990 Tsukada et al. D14/106

FOREIGN PATENT DOCUMENTS

599666 4/1983 Japan D14/106

Primary Examiner—Wallace R. Burke
Assistant Examiner—Freda S. Nunn
Attorney, Agent, or Firm—Mason, Fenwick & Lawrence

[57] CLAIM

The ornamental design for a laptop computer or similar article, as shown and described.

DESCRIPTION

FIG. 1 is a top plan view of a laptop computer or similar article showing my new design with the top being in a closed position;
FIG. 2 is a front elevational view thereof;
FIG. 3 is a right side elevational view thereof;
FIG. 4 is a bottom plan view thereof;
FIG. 5 is a rear elevational view thereof;
FIG. 6 is a left side elevational view thereof;
FIG. 7 is a front elevational view thereof with the top being in an opened position;
FIG. 8 is a right side elevational view thereof;
FIG. 9 is a top plan view thereof; and
FIG. 10 is a top, front, right side perspective view thereof.
The computer is shown in an operative position in FIGS. 7-10.

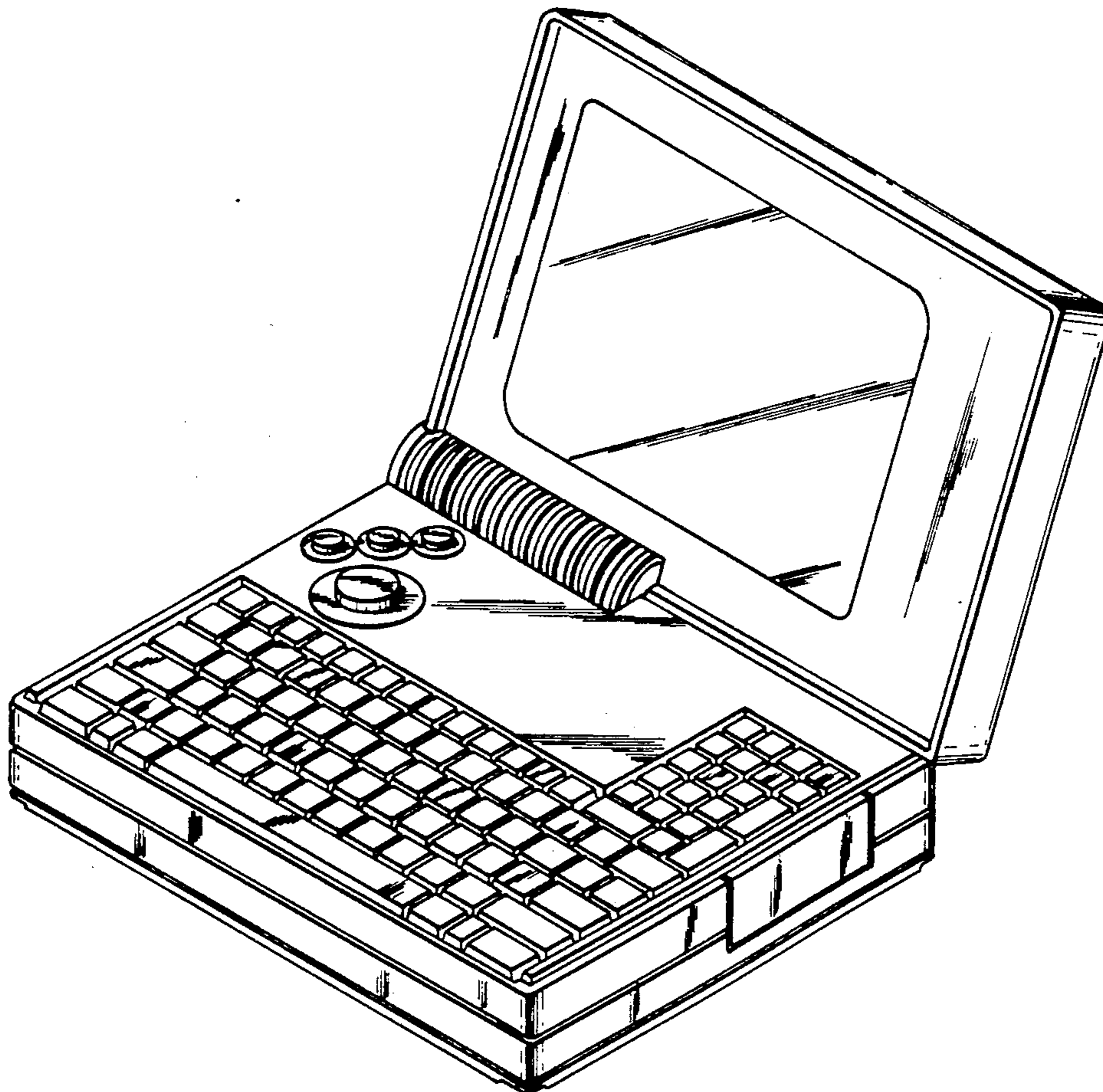


FIG. 1

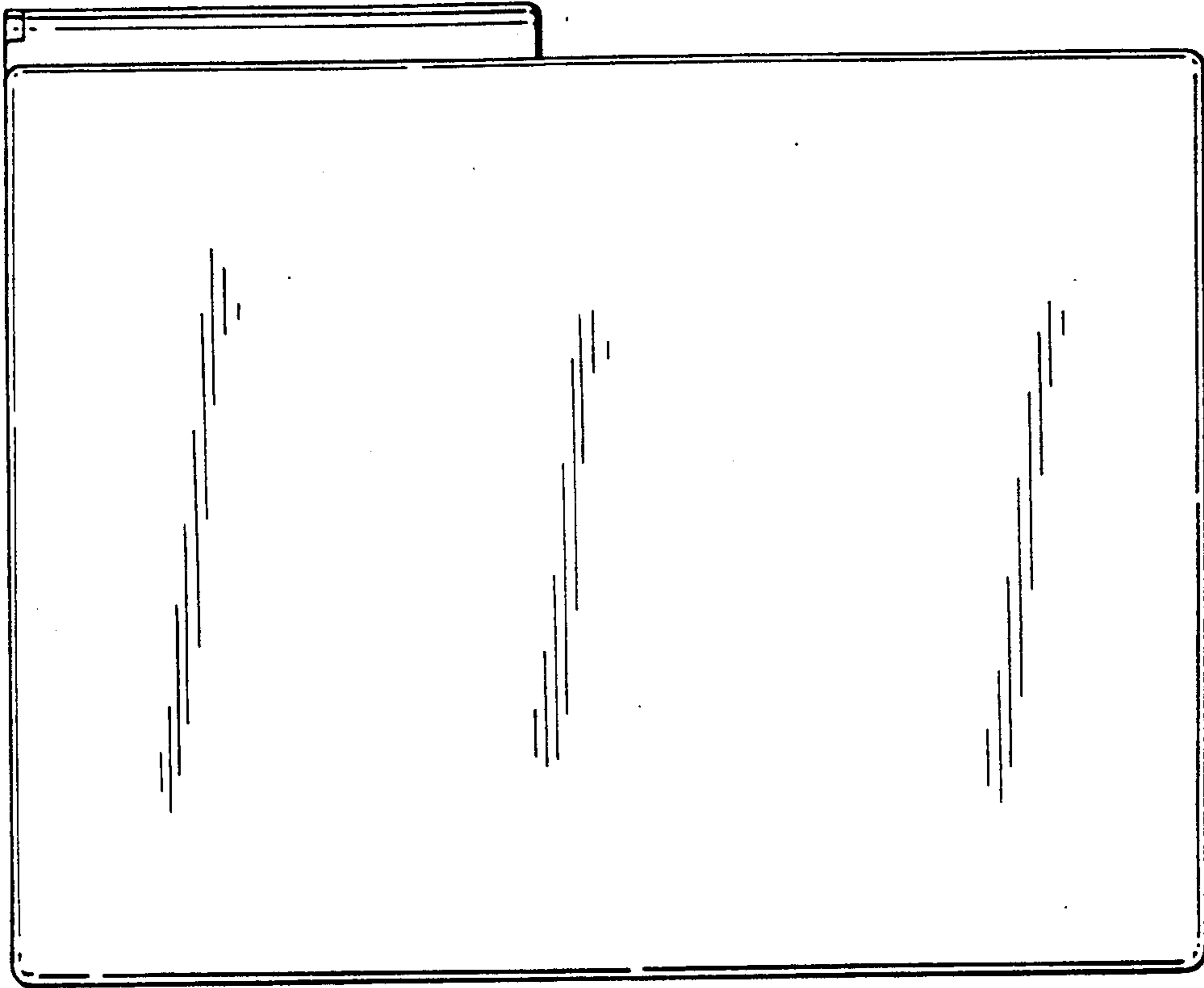


FIG. 2

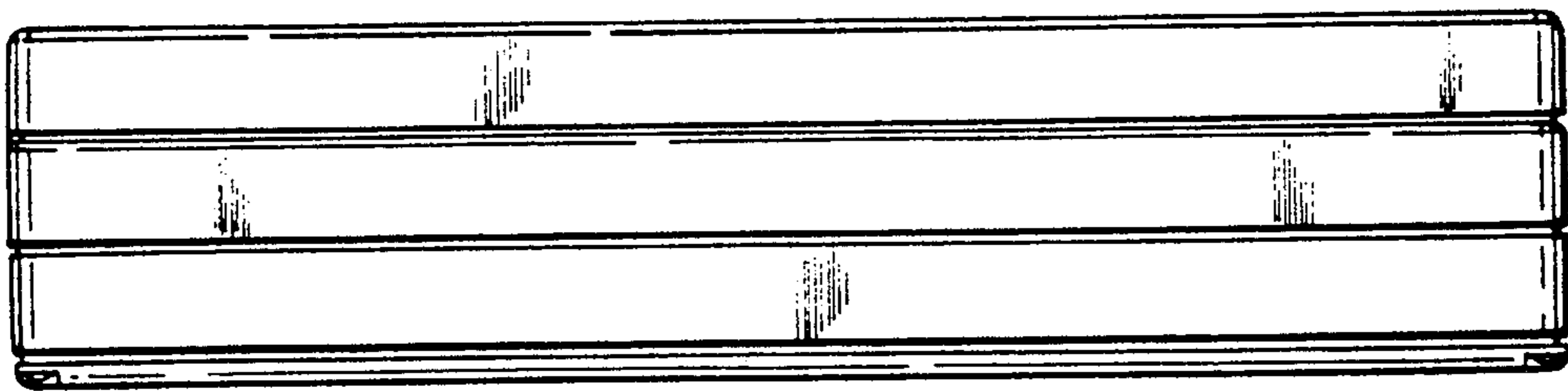


FIG. 3

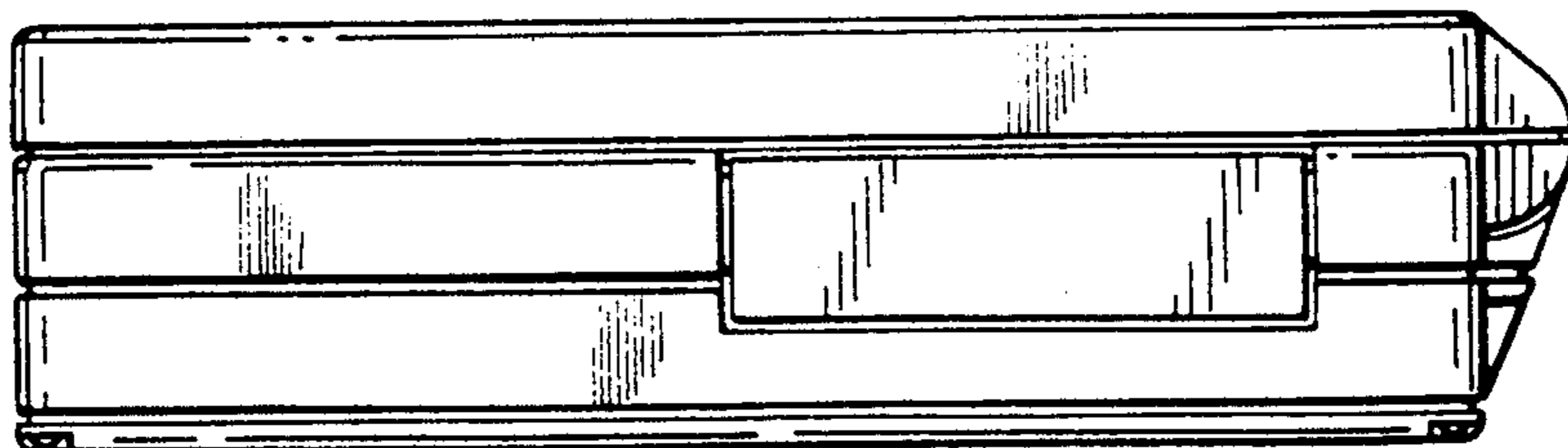


FIG. 4

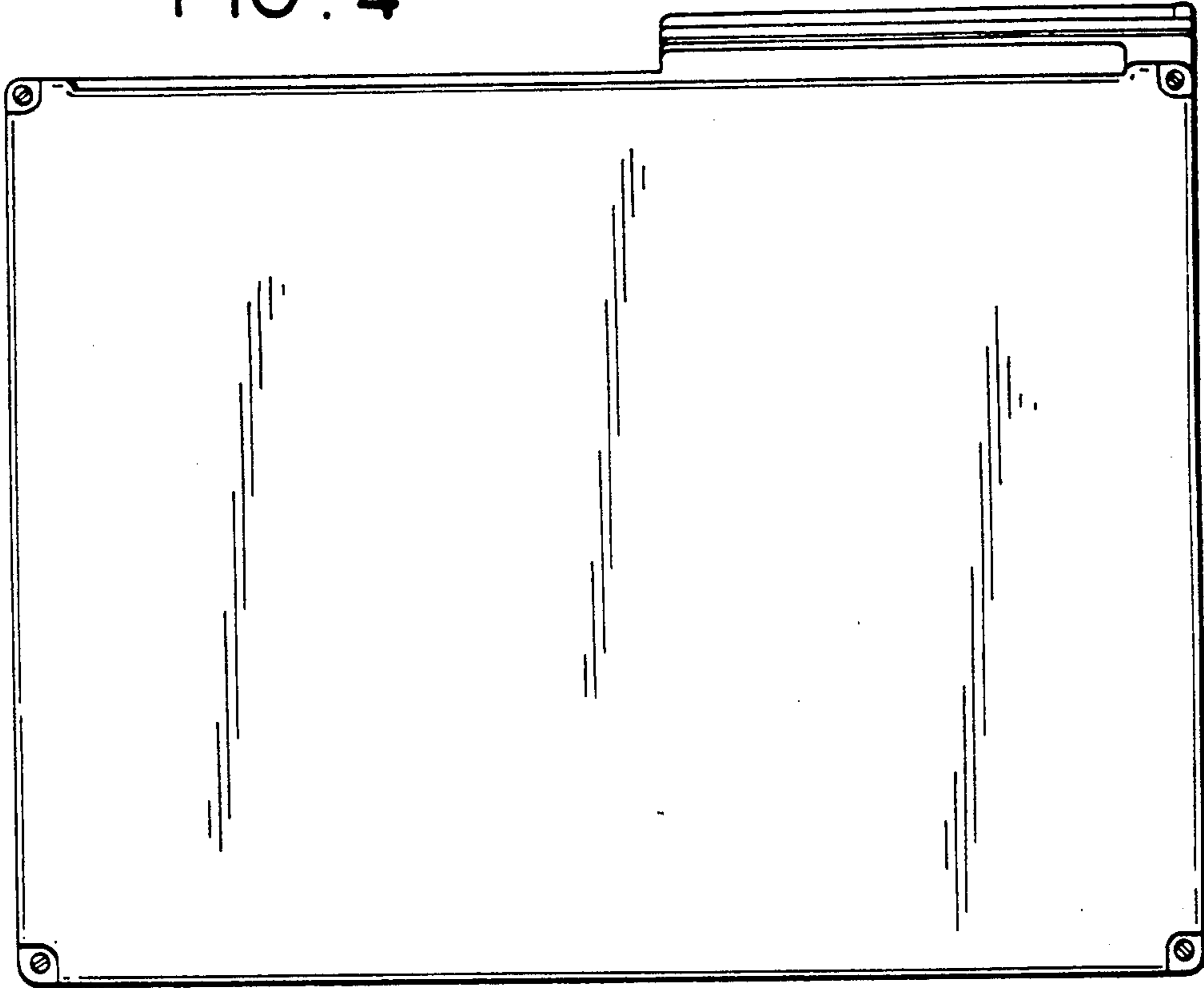


FIG. 5

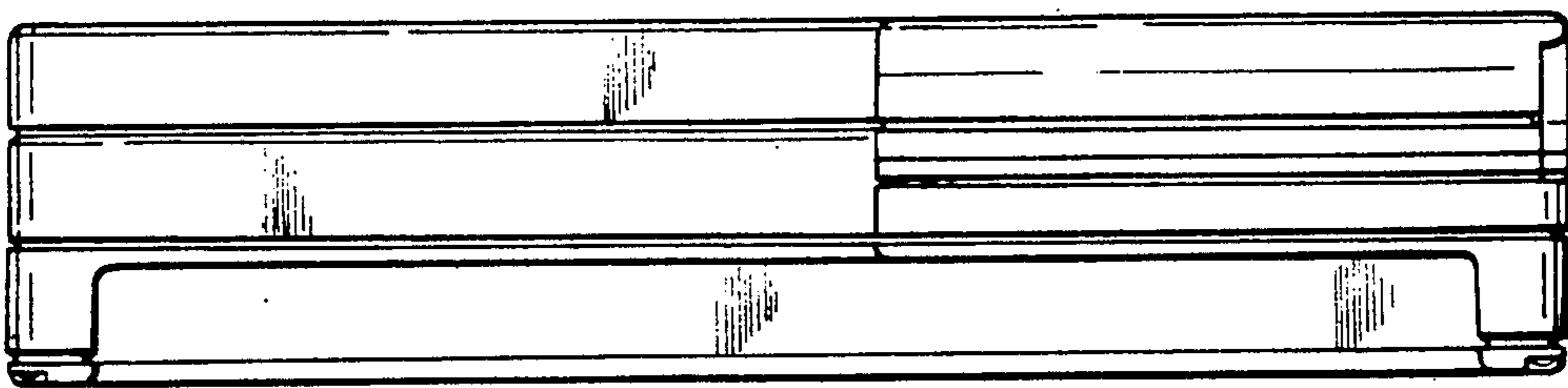


FIG. 6

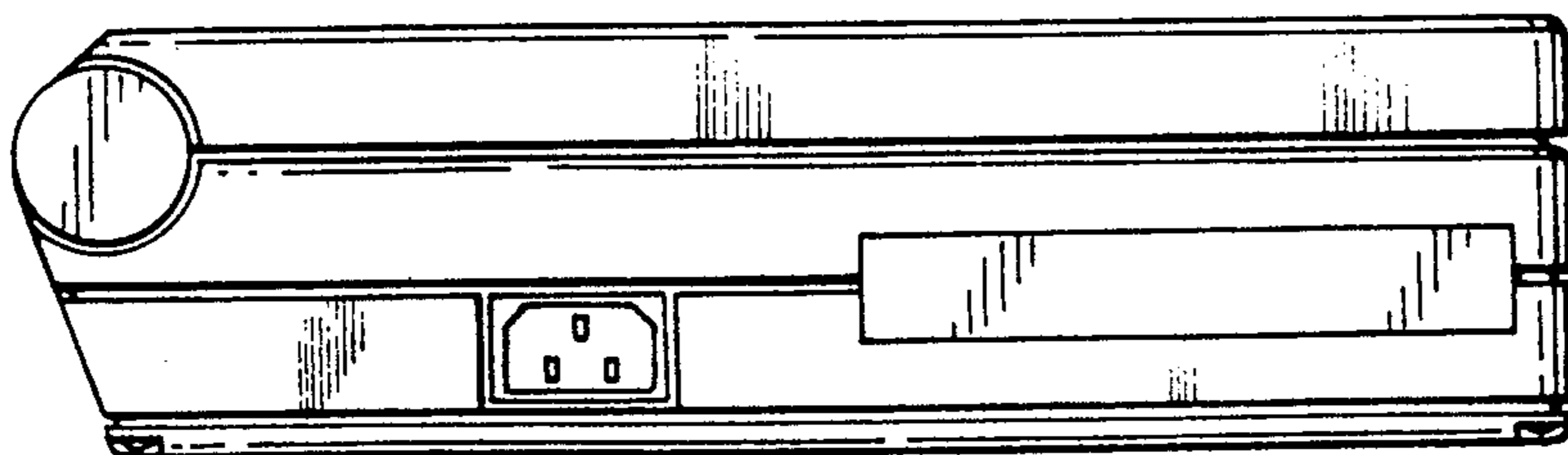


FIG. 7

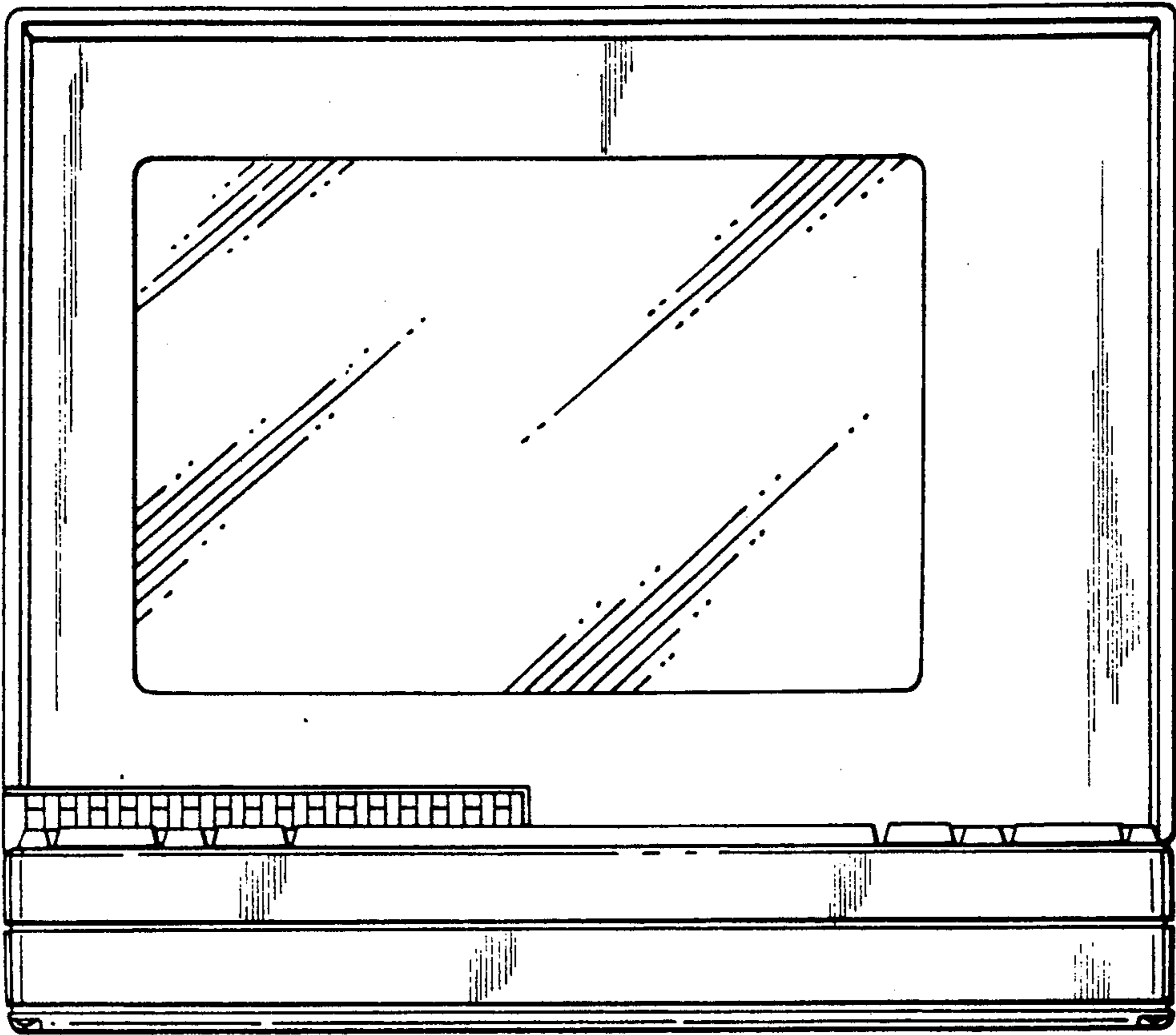


FIG. 8

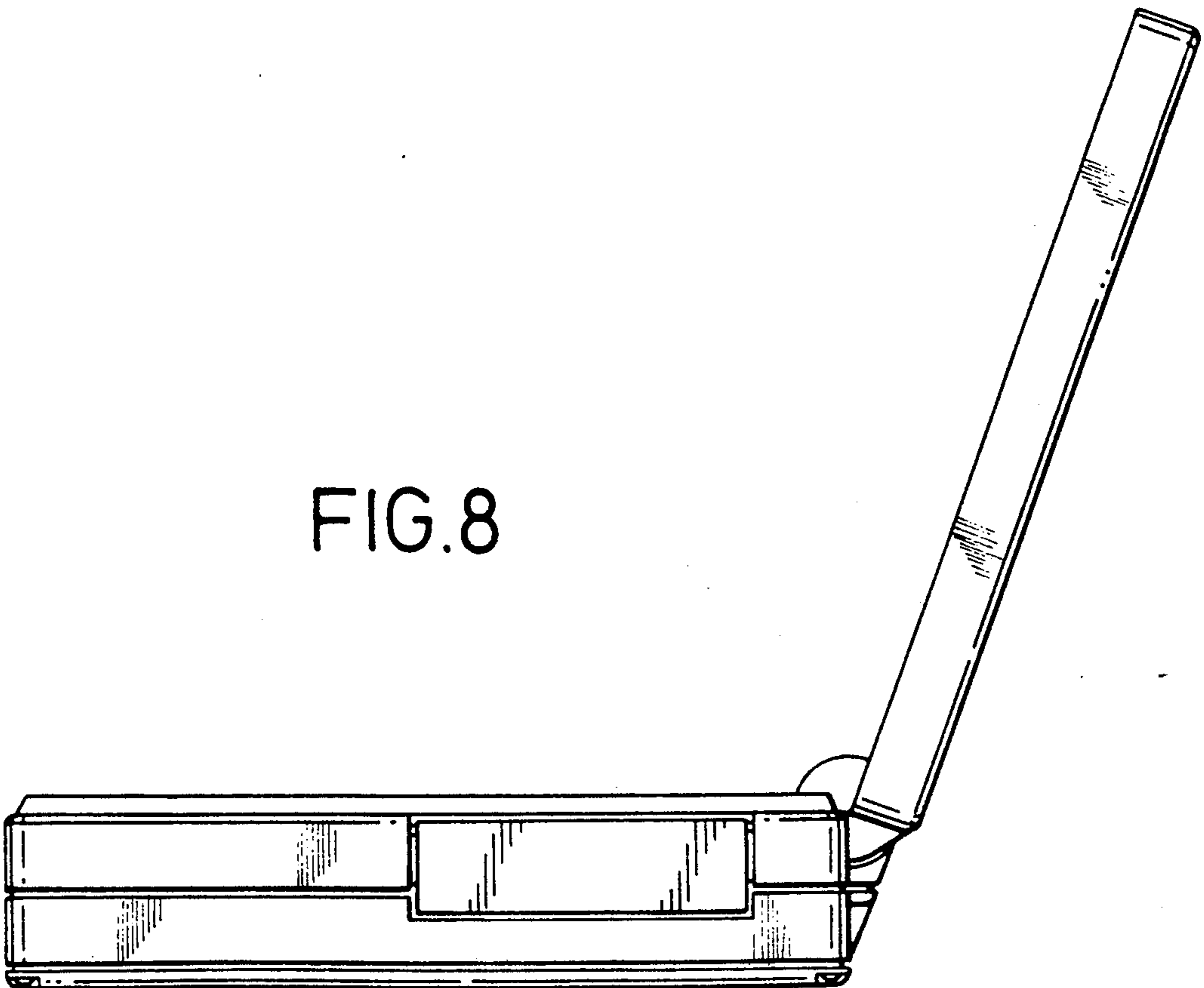
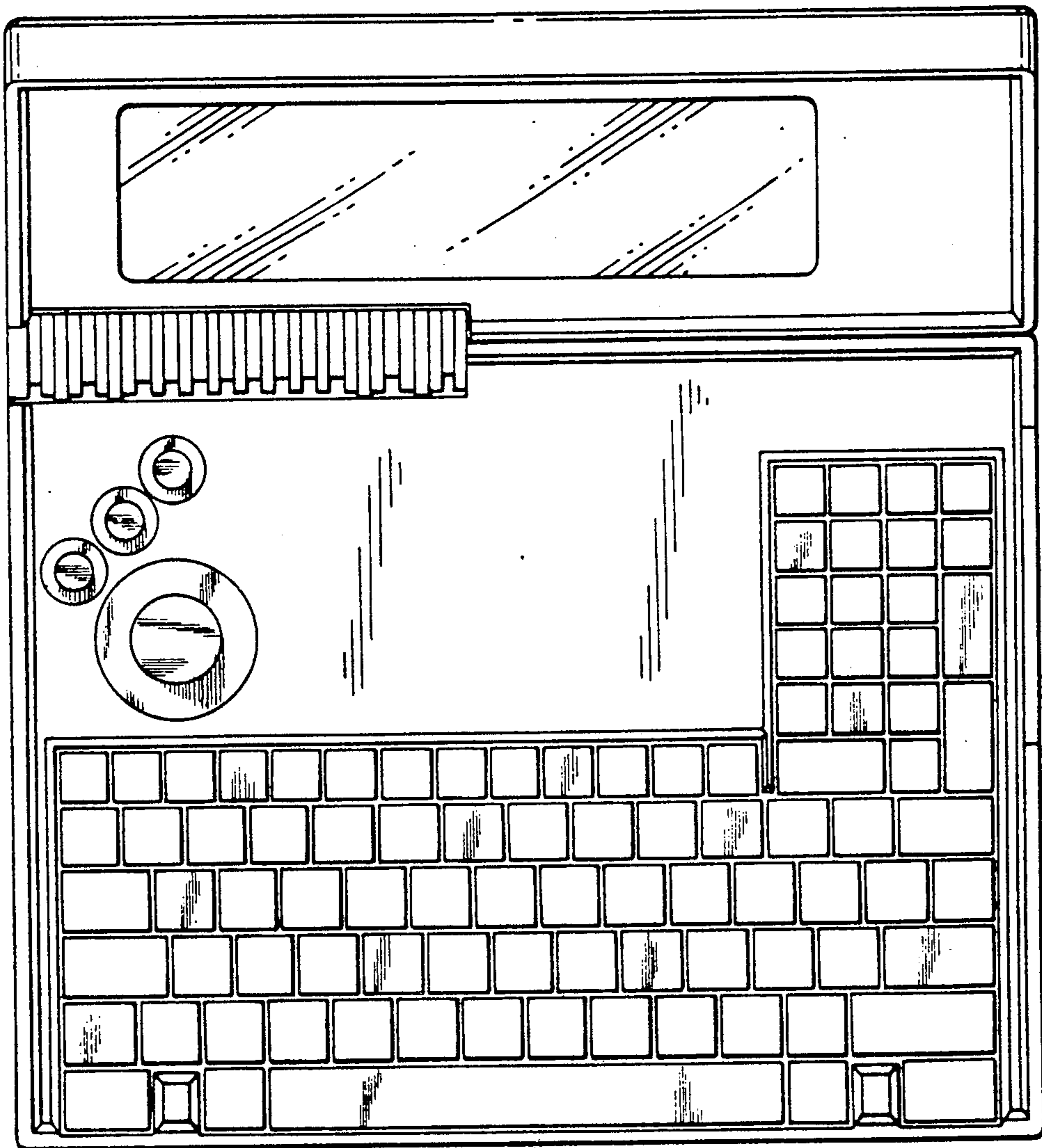


FIG. 9



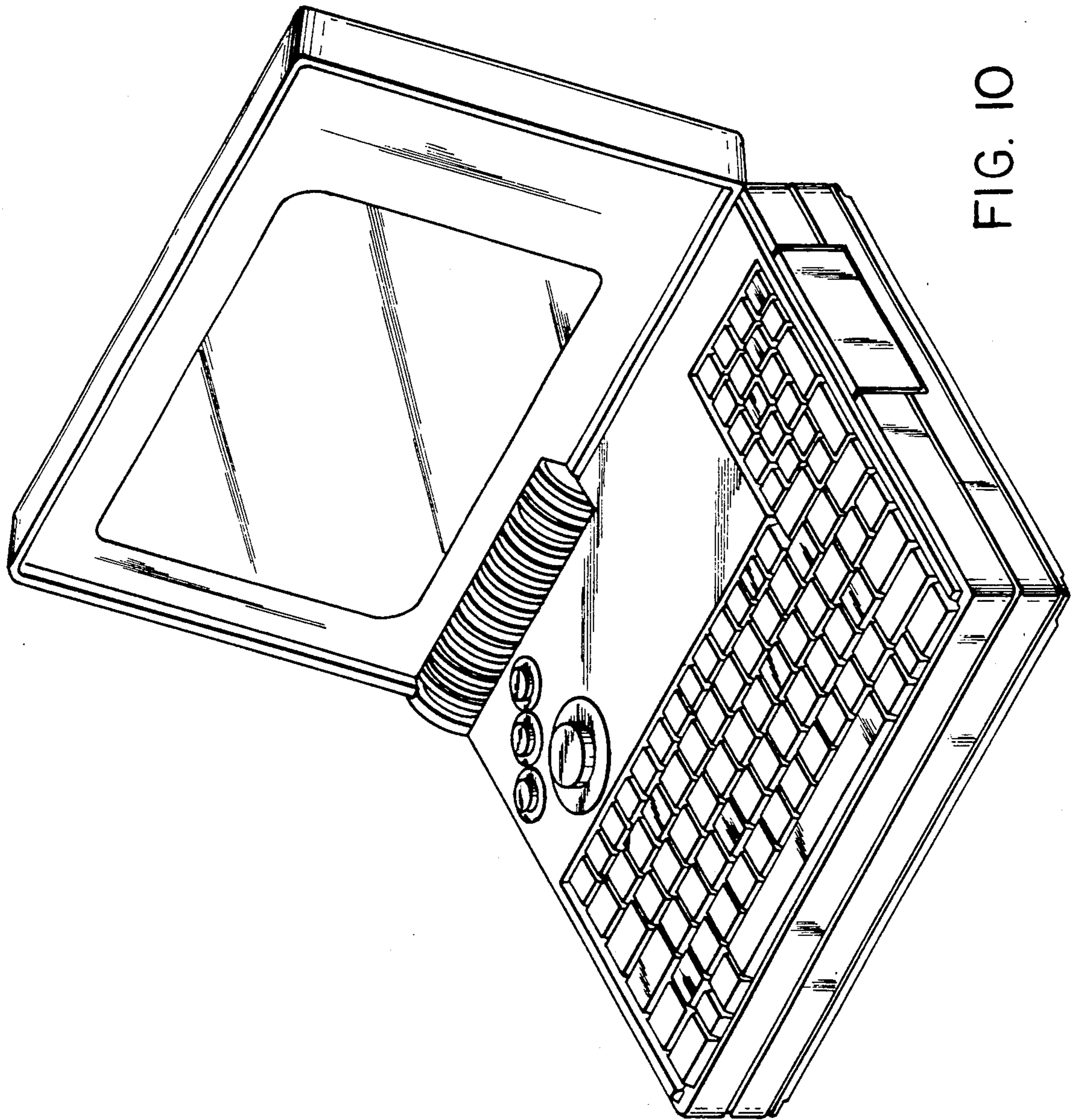


FIG. 10