

# United States Patent [19]

Yokoi et al.

[11] Patent Number: **Des. 317,757**

[45] Date of Patent: **\*\* Jun. 25, 1991**

[54] **ORDER TERMINAL FOR INVENTORY CONTROL**

[75] Inventors: **Mitsuo Yokoi; Katsuhiko Ishida; Maki Tomoike**, all of Osaka, Japan

[73] Assignee: **Sharp Corporation**, Osaka, Japan

[\*\*] Term: **14 Years**

[21] Appl. No.: **316,312**

[22] Filed: **Feb. 27, 1989**

[30] **Foreign Application Priority Data**

Aug. 30, 1988 [JP] Japan ..... 63-34388

[52] U.S. Cl. .... **D14/101**

[58] Field of Search ..... D14/100, 106, 107, 113, D14/115, 105, 101, 138, 140, 142, 144, 146; D18/1, 7, 11, 12; 235/145 A, 145 R; 340/700, 706, 711, 712; 341/22, 23; 358/249, 254; 364/403, 706-710; 379/61, 91, 96, 92, 112, 122, 142, 441, 454, 440; 455/90

[56] **References Cited**

## U.S. PATENT DOCUMENTS

D. 224,539 8/1972 Vaskunas ..... D14/101  
D. 225,014 10/1972 Weinberg ..... D14/101  
D. 304,564 11/1989 Kido et al. .... D14/142 X

D. 304,932 12/1989 Oura et al. .... D14/101  
4,653,086 3/1987 Laube ..... 379/96  
4,661,659 4/1987 Nishimura ..... 379/61  
4,797,818 1/1989 Cotter ..... 379/96 X

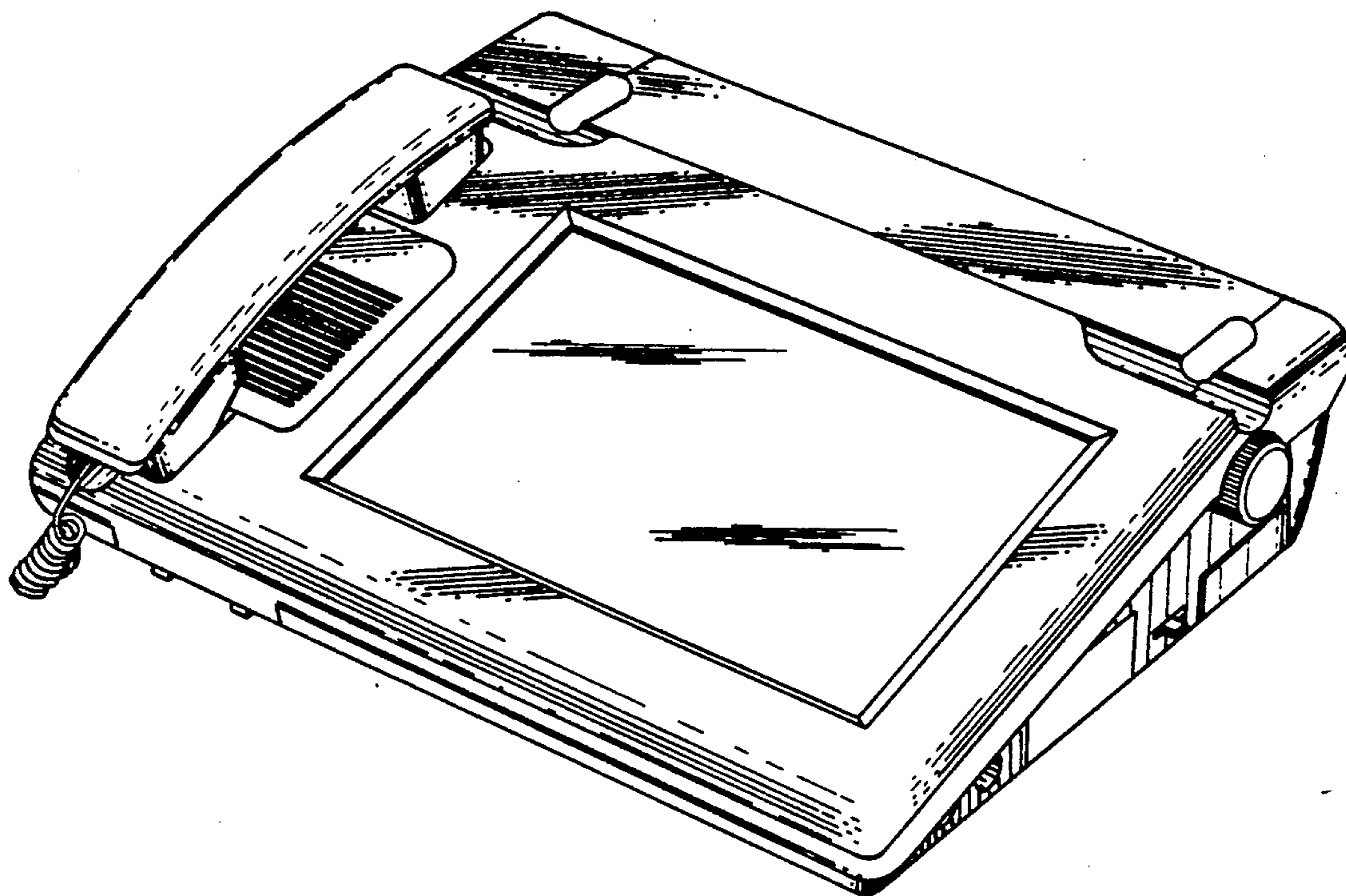
*Primary Examiner*—Wallace R. Burke  
*Assistant Examiner*—Freda S. Nunn  
*Attorney, Agent, or Firm*—Flehr, Hohbach, Test, Albritton & Herbert

## [57] CLAIM

The ornamental design for an order terminal for inventory control, shown and described.

## DESCRIPTION

FIG. 1 is a top plan view of the order terminal for inventory control showing our new design; FIG. 2 is a front elevational view thereof; FIG. 3 is a bottom plan view thereof; FIG. 4 is a rear elevational view thereof; FIG. 5 is a right side elevational view thereof; FIG. 6 is a left side elevational view thereof; FIG. 7 is a cross-sectional view thereof taken along the line 7-7 of FIG. 2; FIG. 8 is a top plan view thereof with the telephone receiver removed and not shown, and the paper roll cover open; and FIG. 9 is a top, front, right side perspective view thereof on a reduced scale.



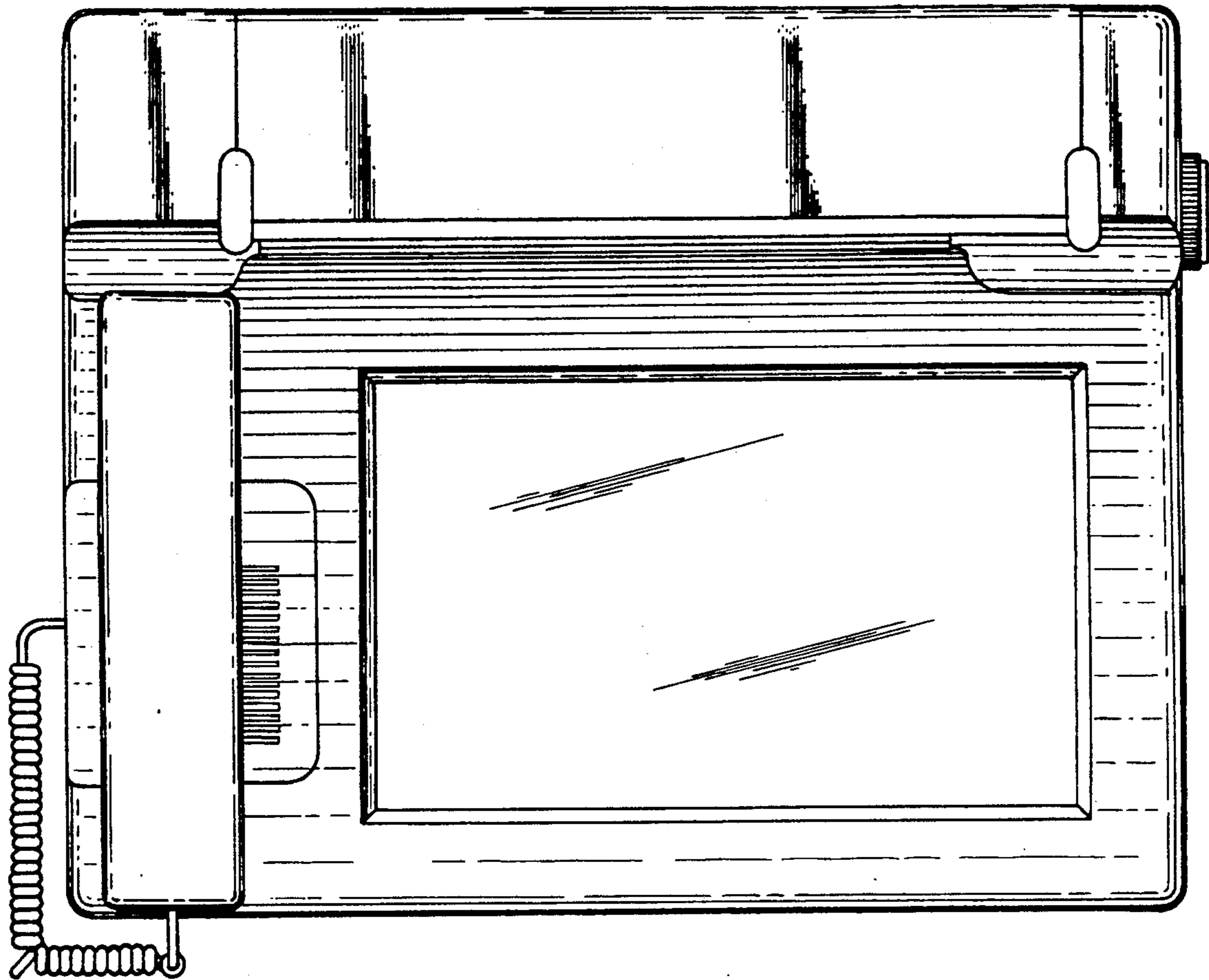


FIG. 1

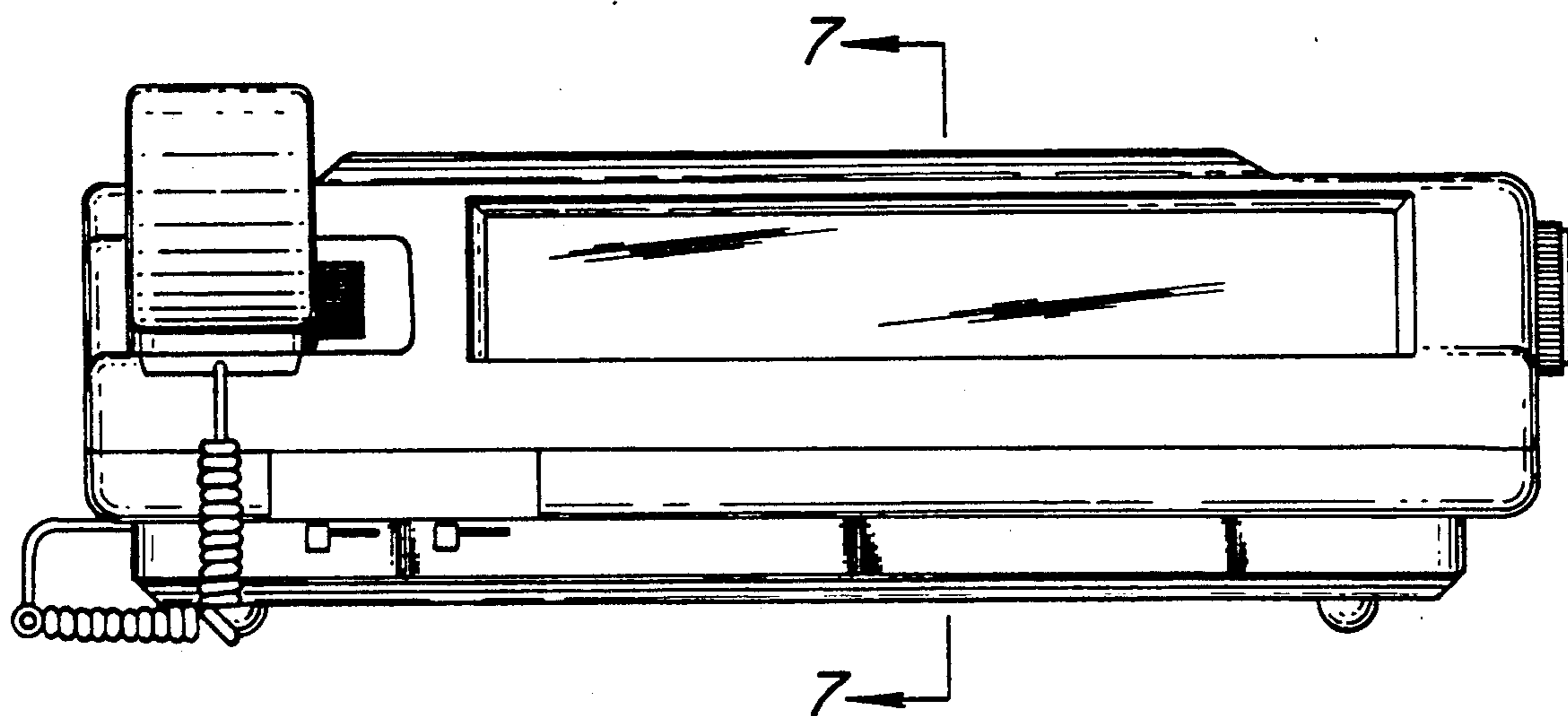


FIG. 2

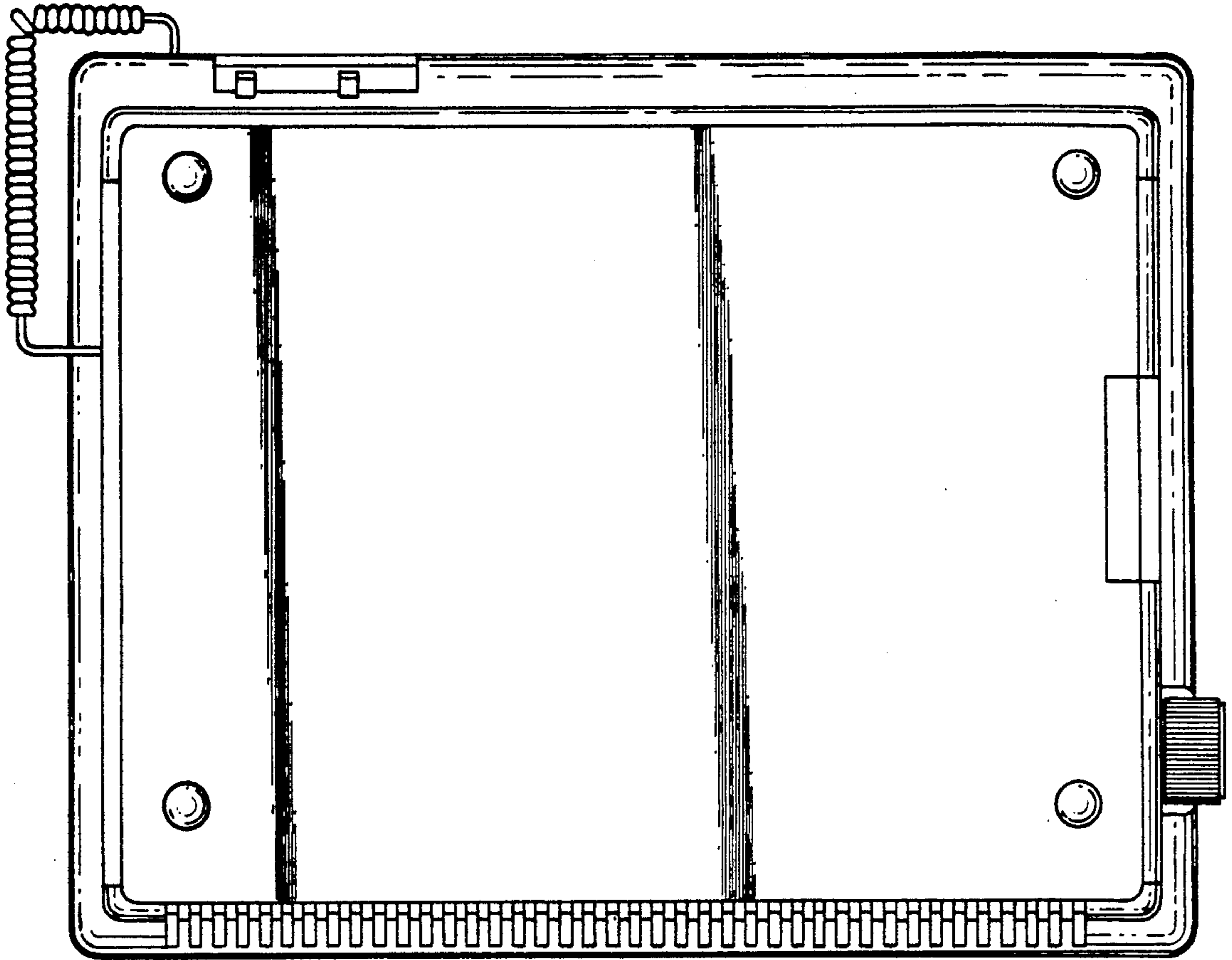


FIG. 3

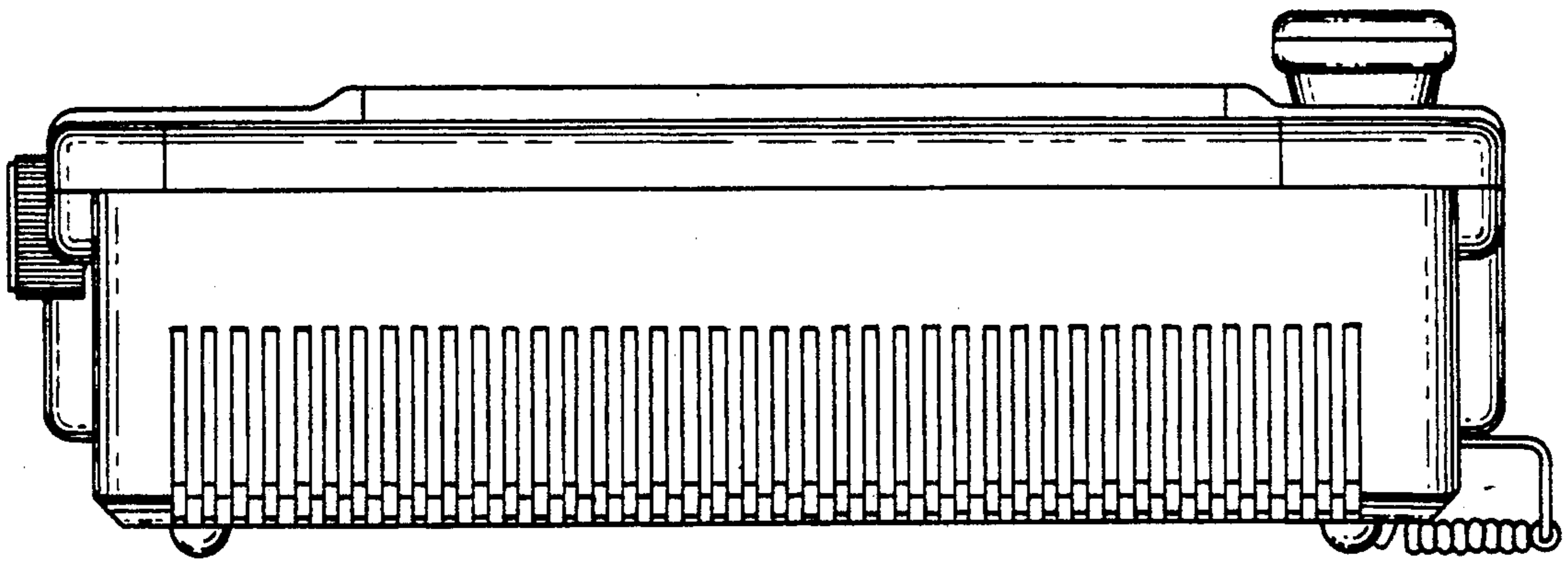


FIG. 4

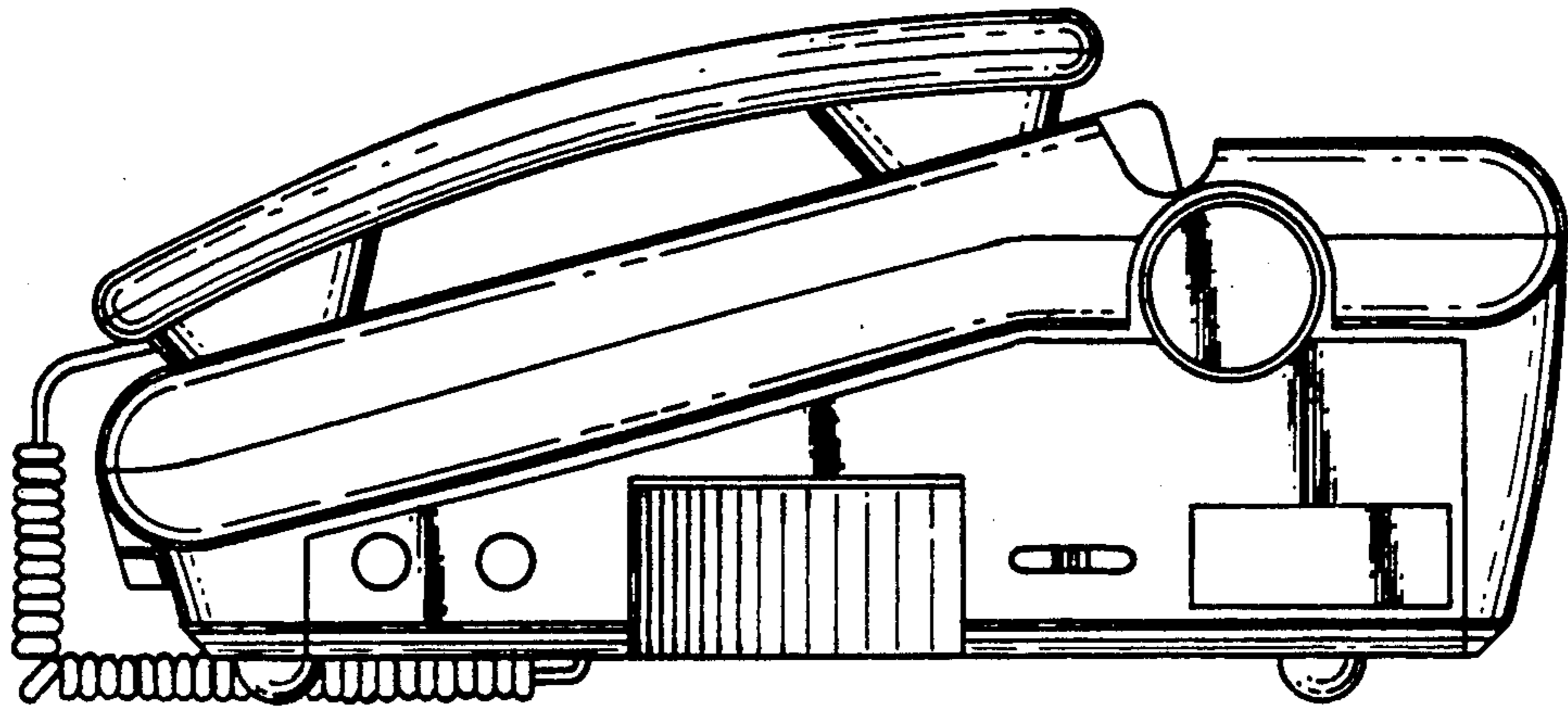


FIG. 5

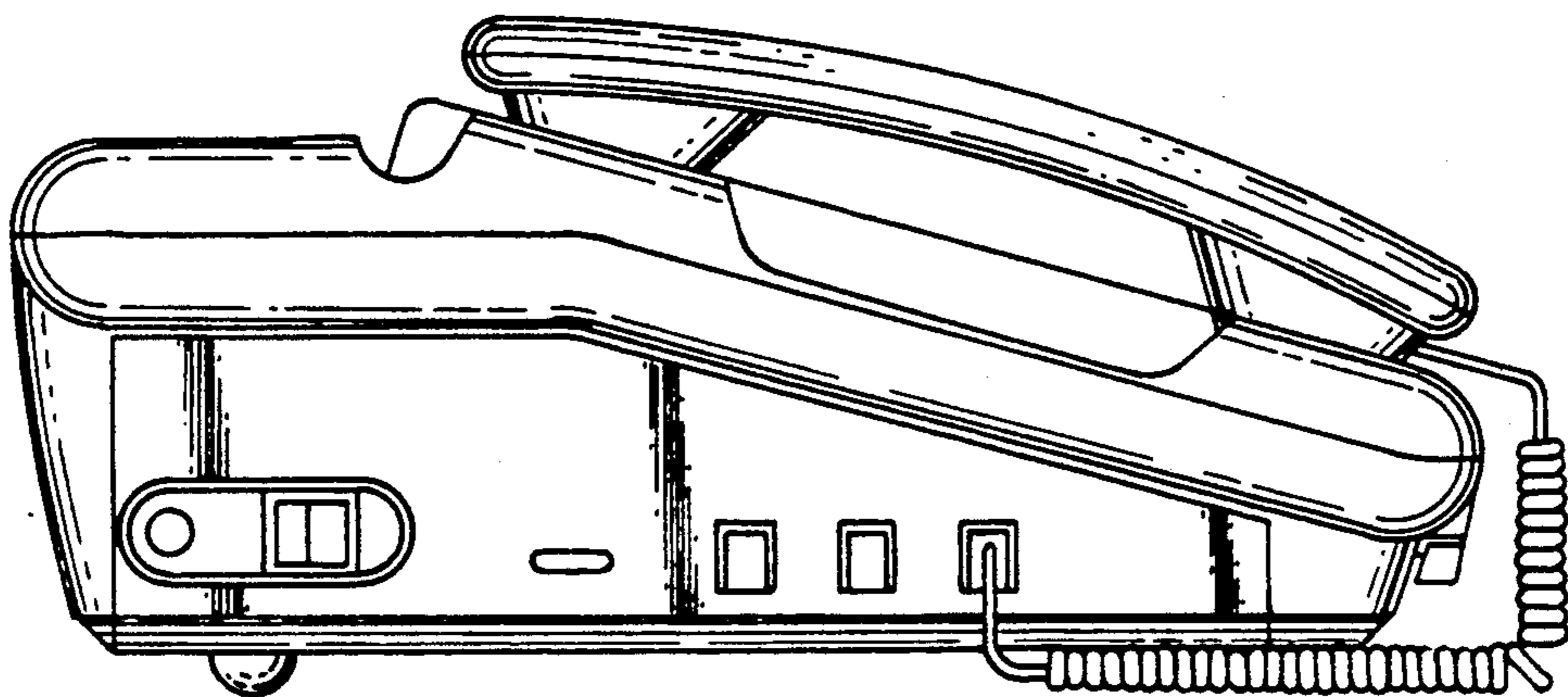


FIG. 6

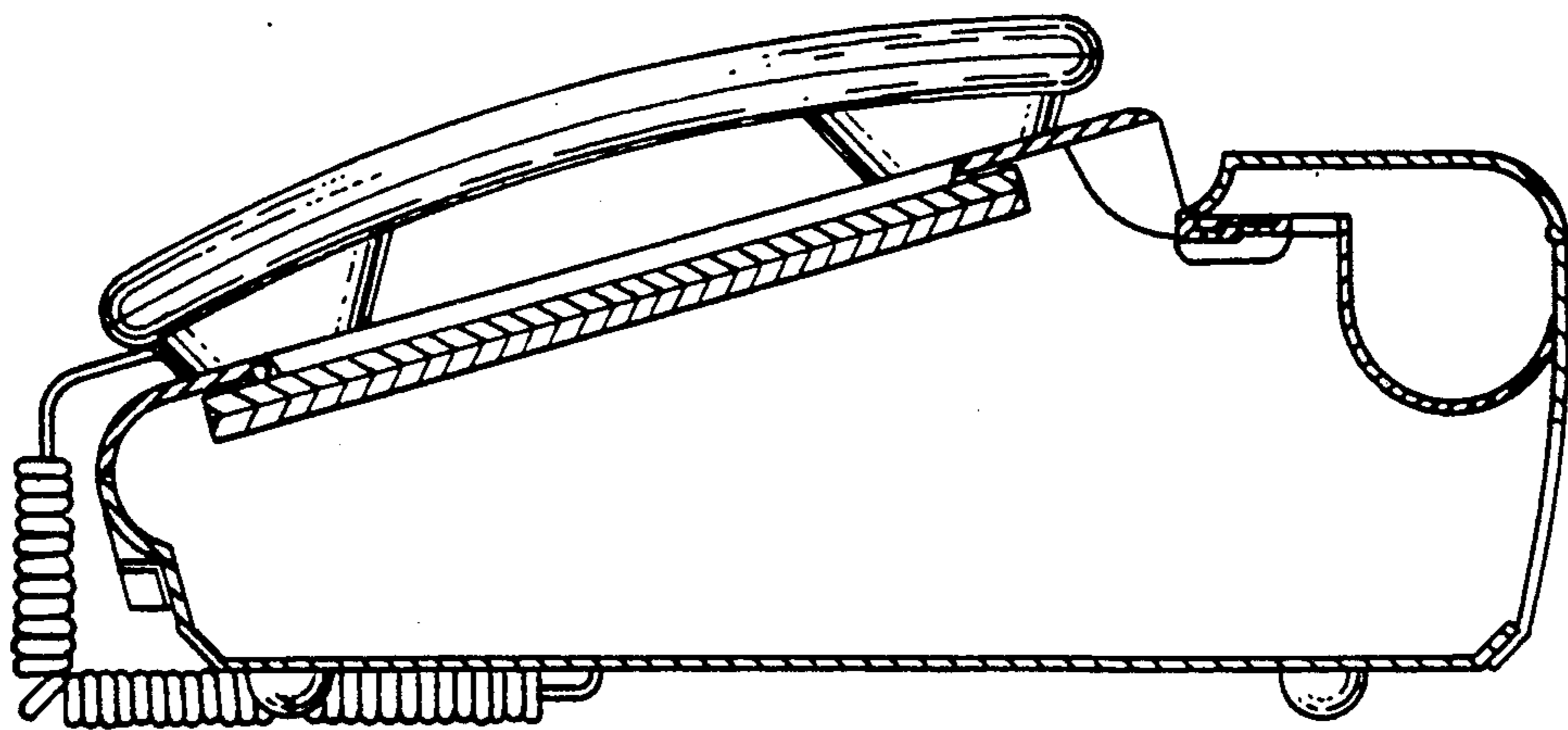


FIG. 7

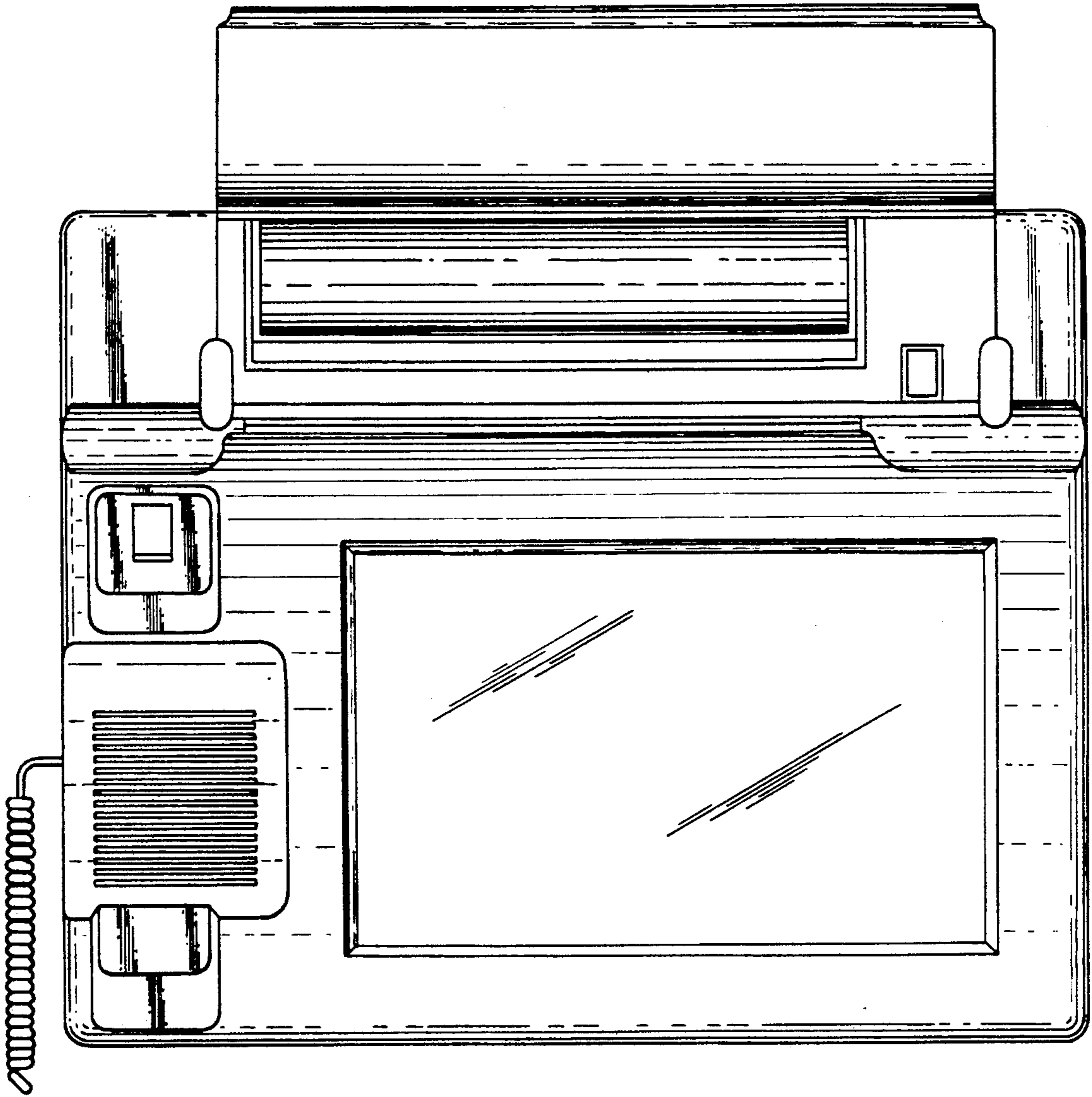


FIG. 8

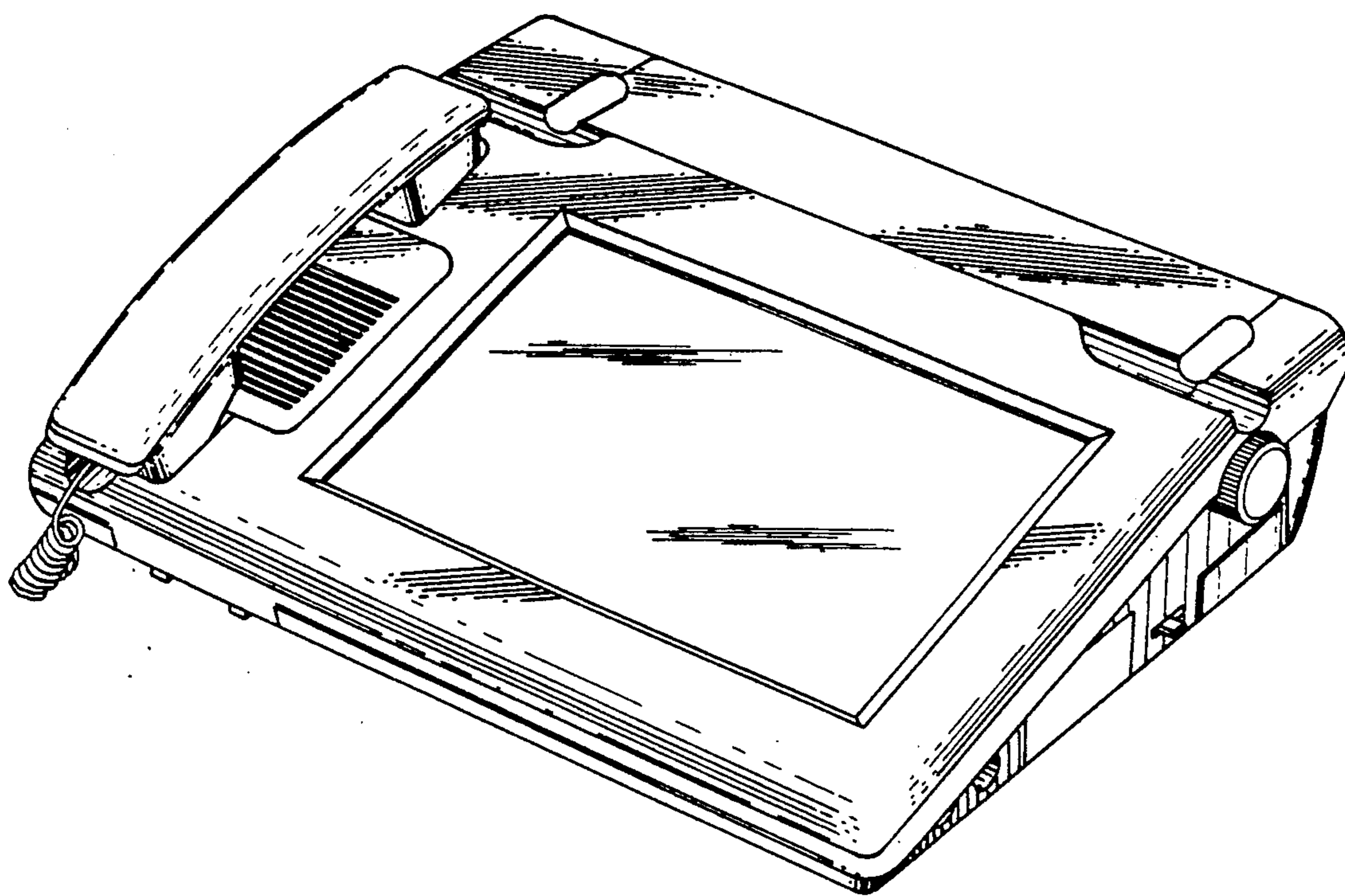


FIG. 9