

[54] DOUBLE SWITCH ELECTRIC FAN CONTROL

D. 285,554 9/1986 Beaumont D13/164 X
D. 307,587 5/1990 Marcune D14/159

[75] Inventor: Mario B. Accumanno, Cedar Grove, N.J.

Primary Examiner—Susan J. Lucas
Assistant Examiner—Joel Sincavage
Attorney, Agent, or Firm—Theodore Jay

[73] Assignee: SSMC Inc., Edison, N.J.

[**] Term: 14 Years

[57] CLAIM

[21] Appl. No.: 328,357

The ornamental design for a double switch electric fan control, as shown and described.

[22] Filed: Mar. 24, 1989

DESCRIPTION

[52] U.S. Cl. D13/162; D13/158

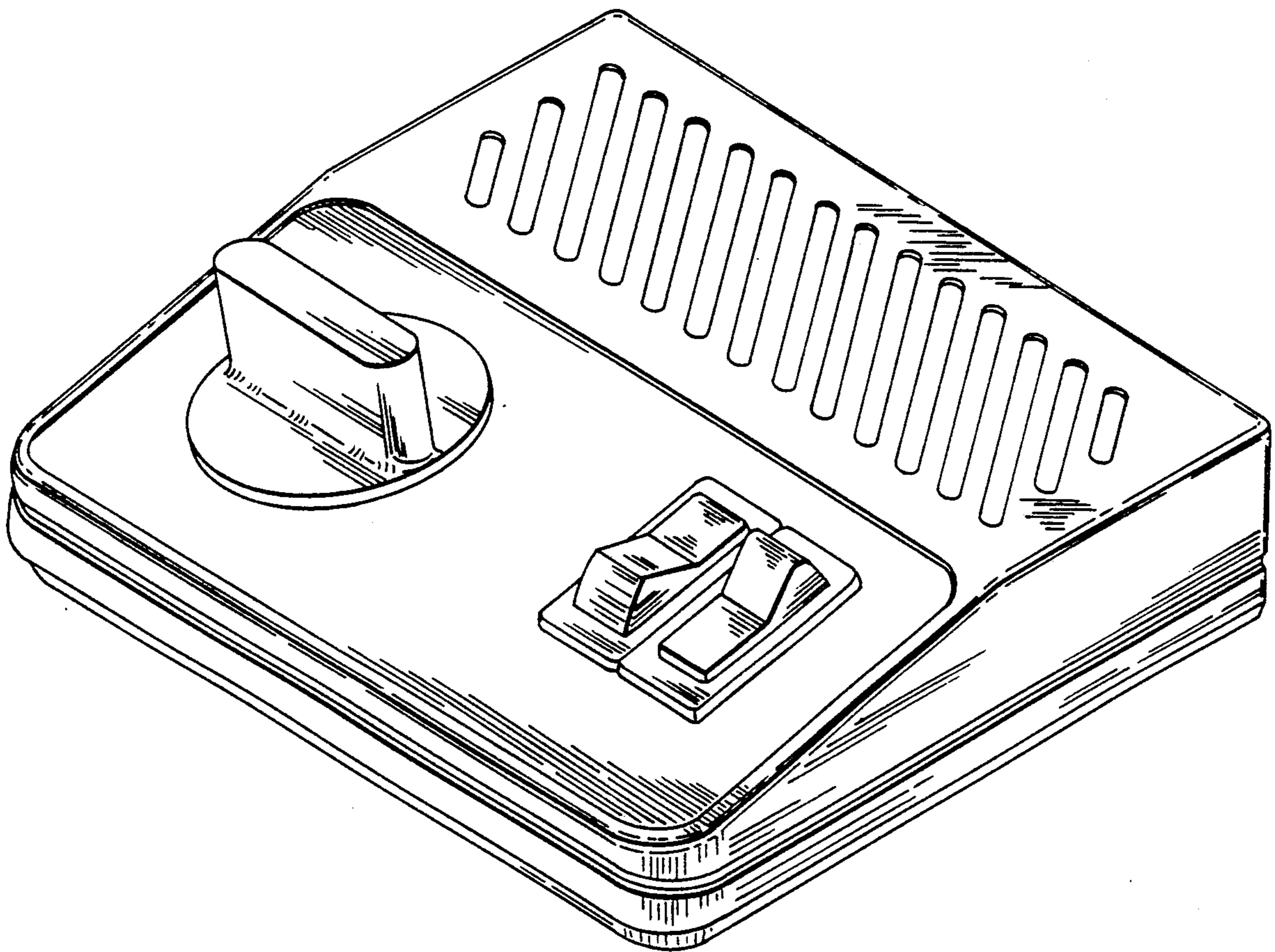
[58] Field of Search D13/158, 162, 169, 177;
D8/350, 353; 220/241, 242; 174/66, 67; 200/11
R, 339, 553; D14/159

FIG. 1 is a front isometric view of double switch electric fan control showing my new design;
FIG. 2 is a left side elevational view of a double switch electric fan control showing my new design on a reduced scale;
FIG. 3 is a top plan view thereof;
FIG. 4 is a right side elevational view thereof;
FIG. 5 is a front elevational view;
FIG. 6 is a bottom plan view thereof;
FIG. 7 is a rear elevational view thereof.

[56] References Cited

U.S. PATENT DOCUMENTS

- D. 210,026 1/1968 Kahn D14/159
- D. 255,032 5/1980 Maddock D14/159
- D. 284,854 7/1986 Vaillant D14/159 X



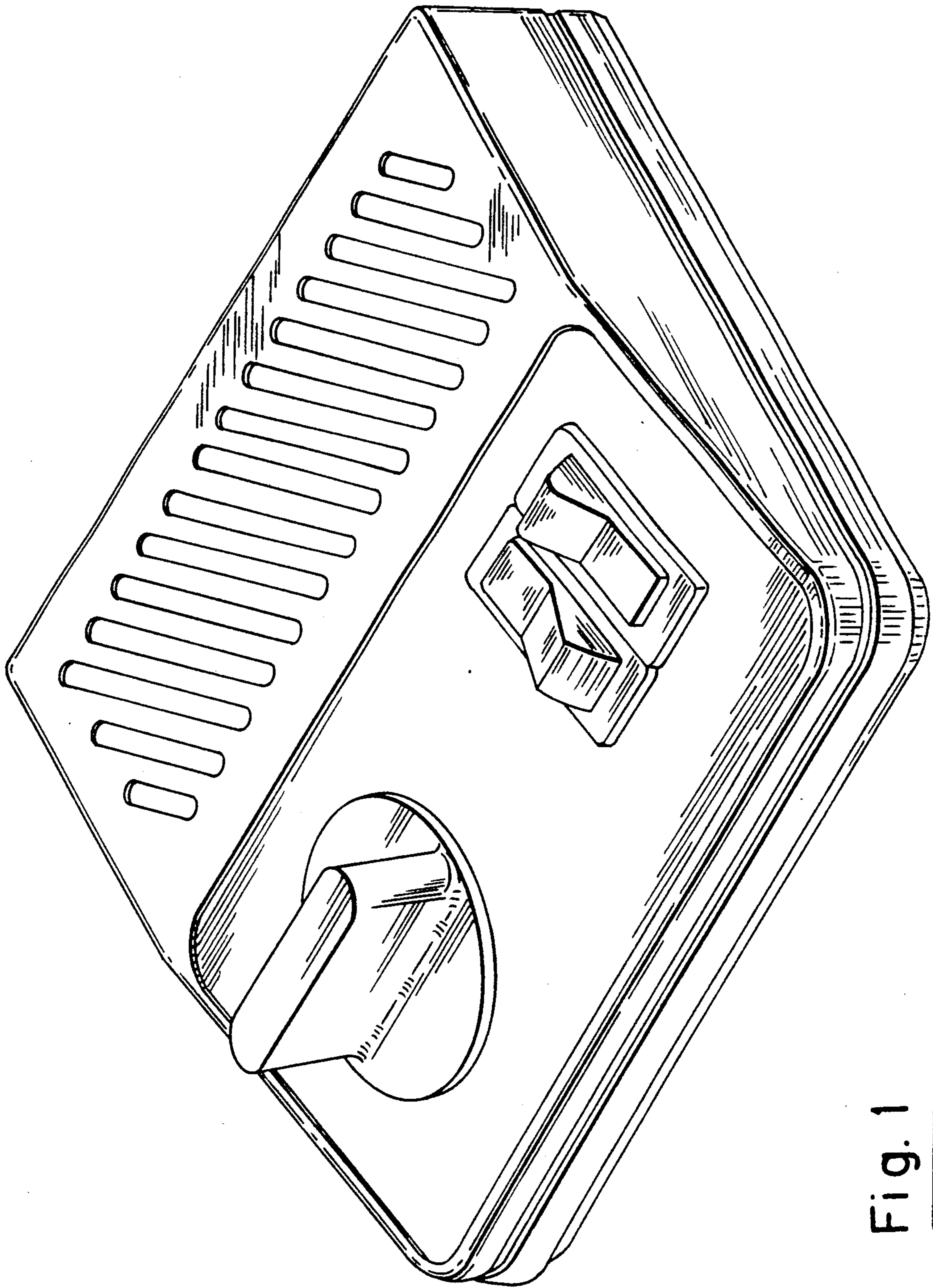


Fig. 1

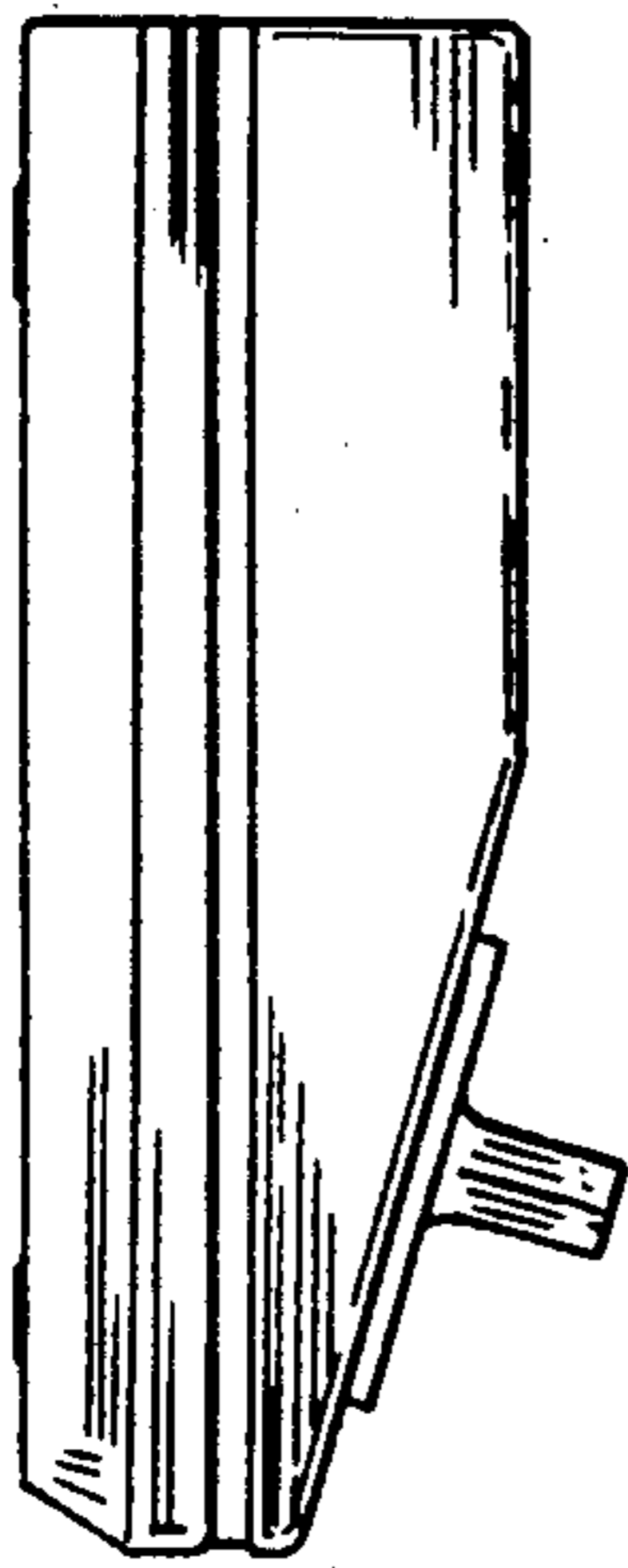


Fig. 2

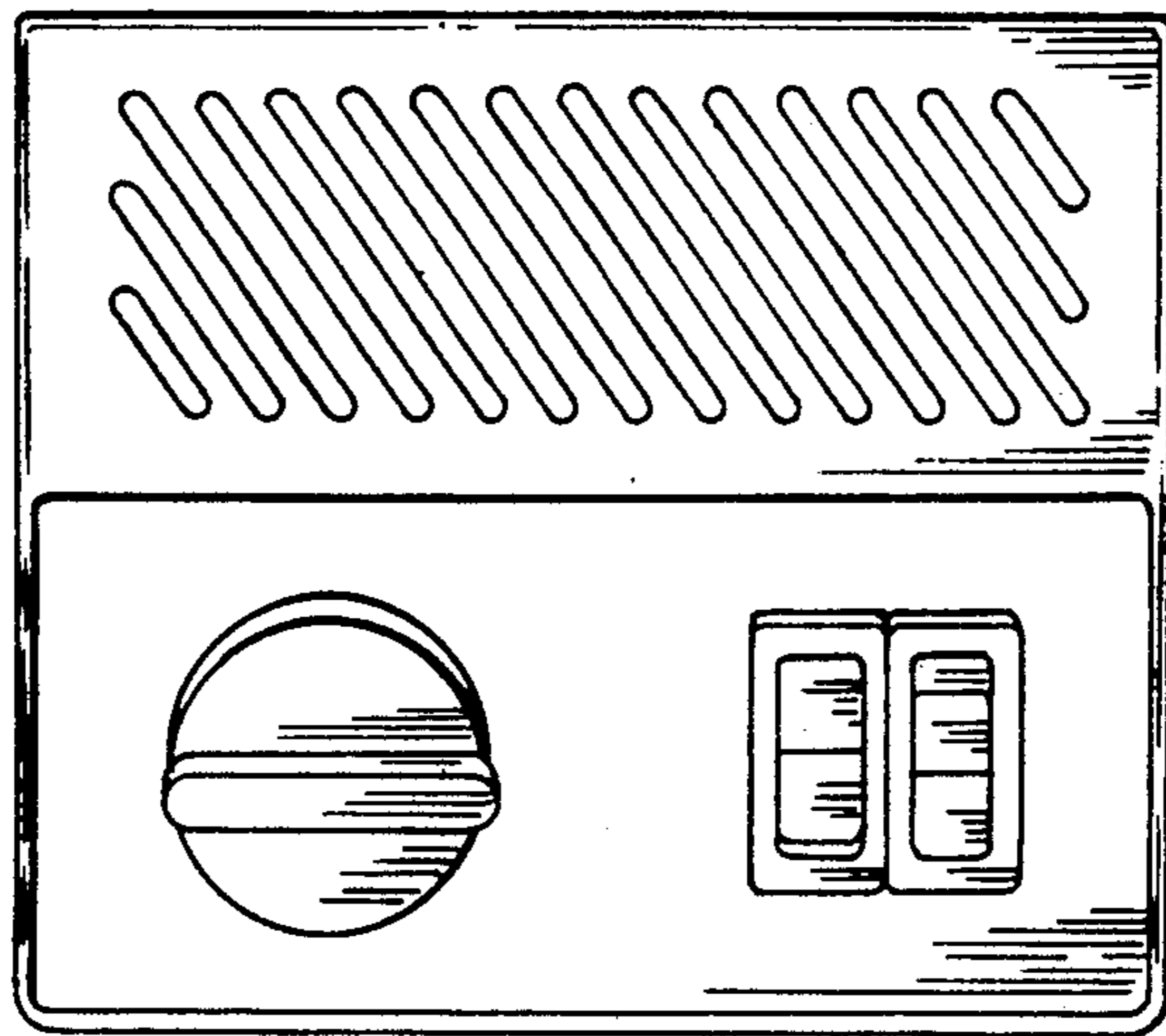


Fig. 3

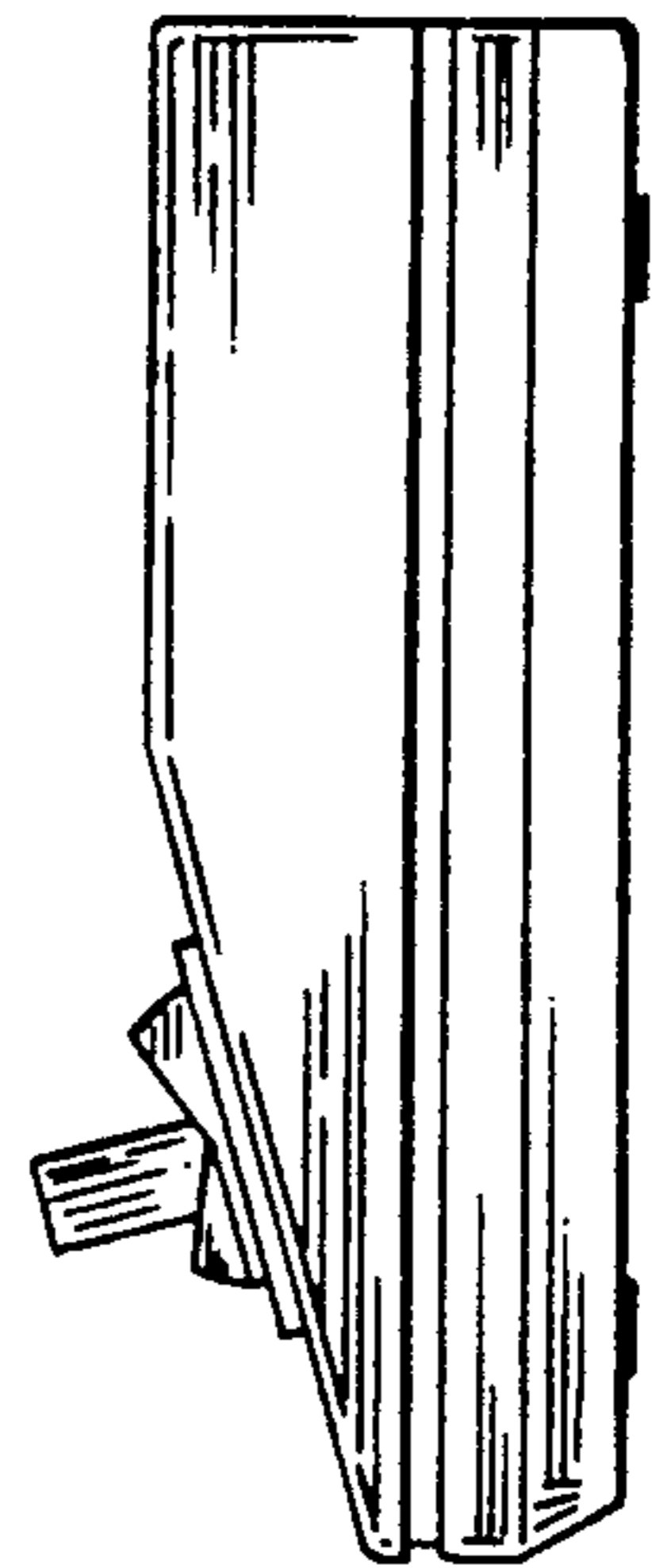


Fig. 4

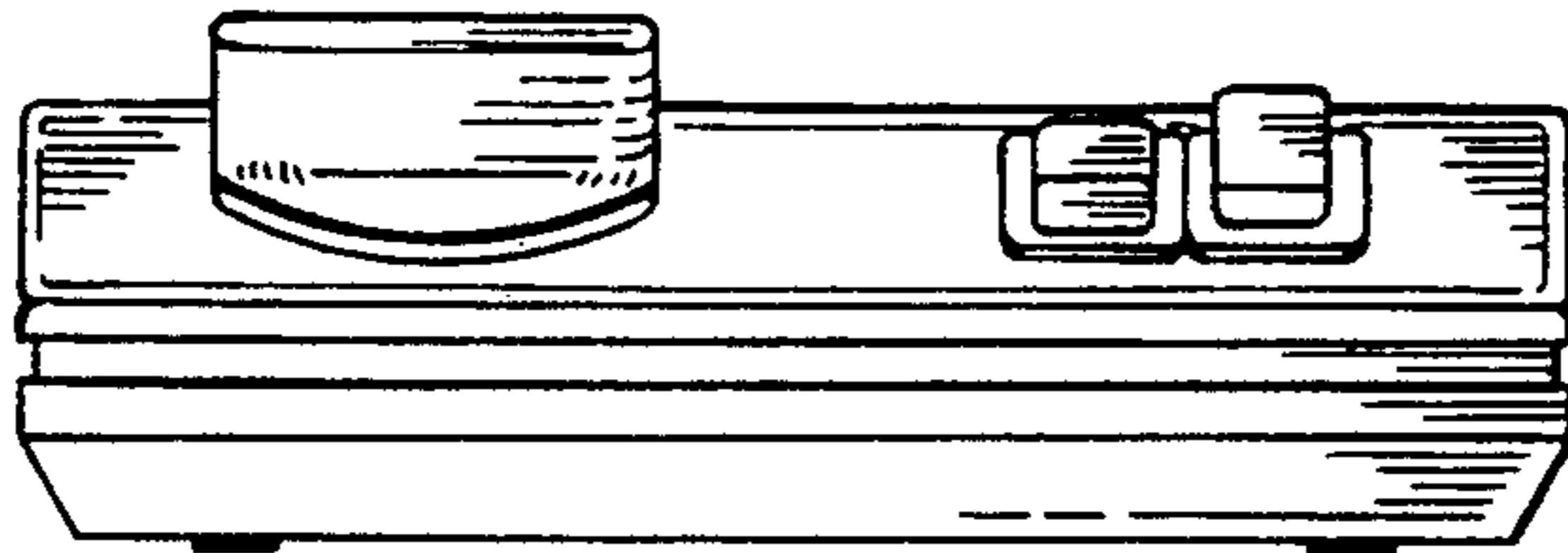


Fig. 5

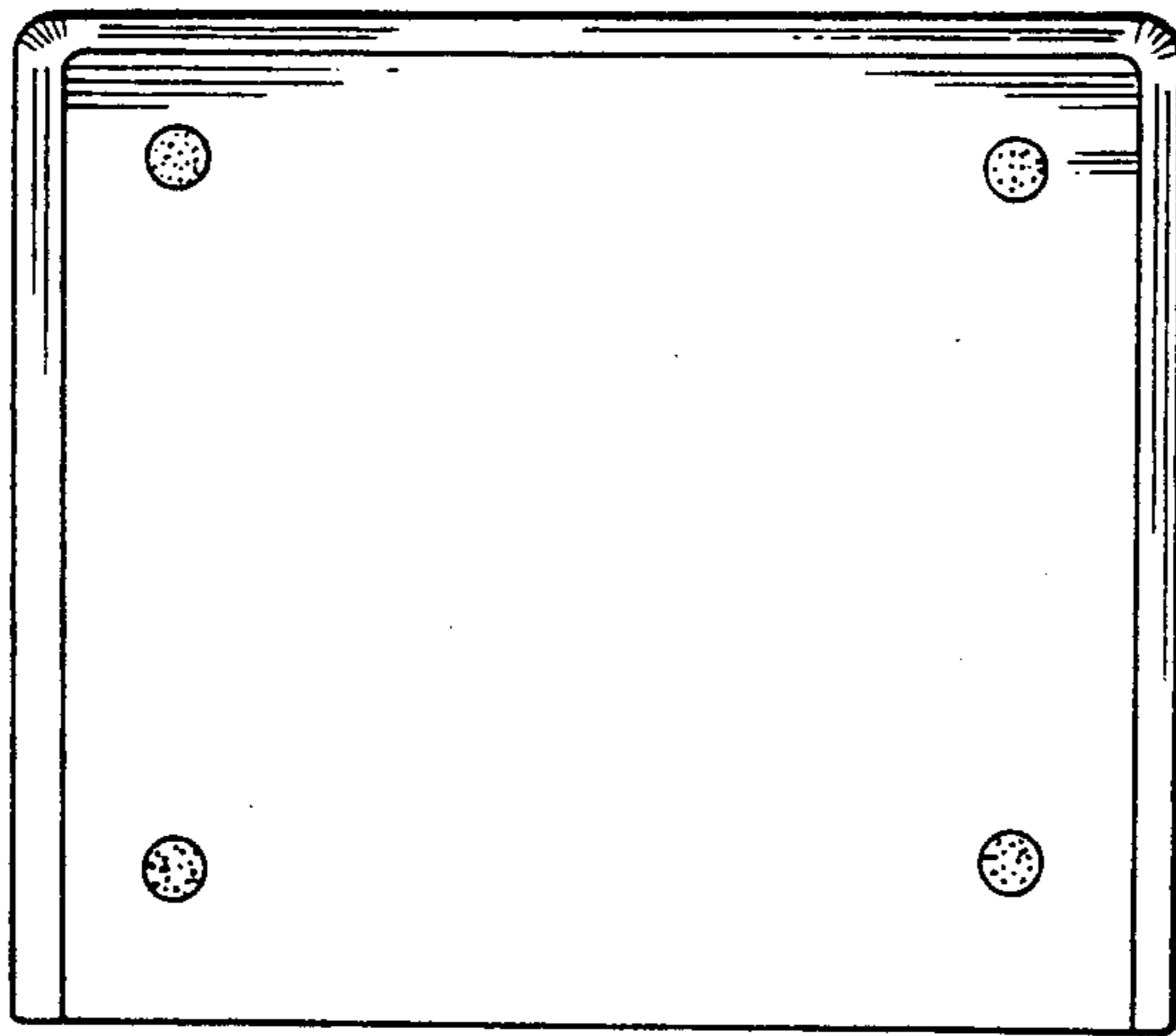


Fig. 6

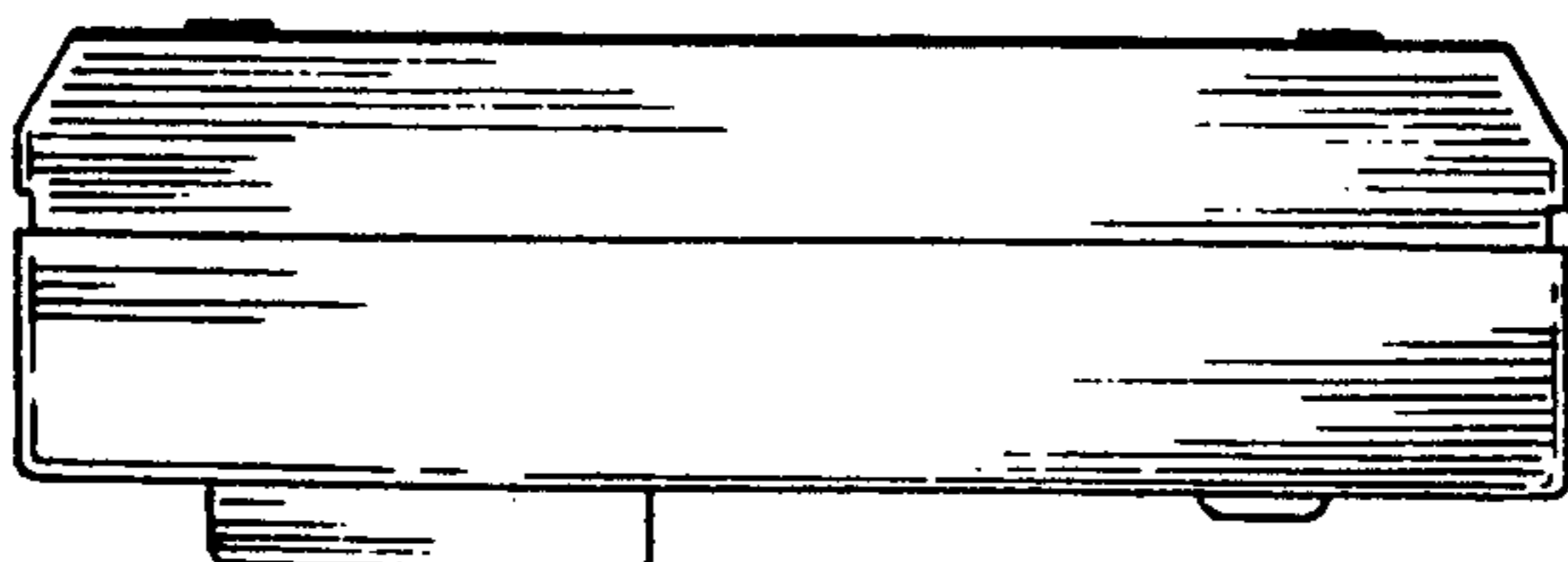


Fig. 7