

[54] **TERMINAL FOR A BULB SOCKET**

[75] Inventor: Seiji Kozono, Shizuoka, Japan

[73] Assignee: Yazaki Corporation, Tokyo, Japan

[**] Term: 14 Years

[21] Appl. No.: 279,136

[22] Filed: Dec. 2, 1988

[30] **Foreign Application Priority Data**

Jun. 3, 1988 [JP] Japan 63-21756

[52] U.S. Cl. D13/148

[58] Field of Search D13/148, 154, 133;
439/567, 571, 572, 861, 862

[56] **References Cited**

U.S. PATENT DOCUMENTS

3,993,381 11/1976 Horbach 439/862

4,255,005 3/1981 Fukunaga 439/571
4,828,515 5/1989 Senor et al. 439/862

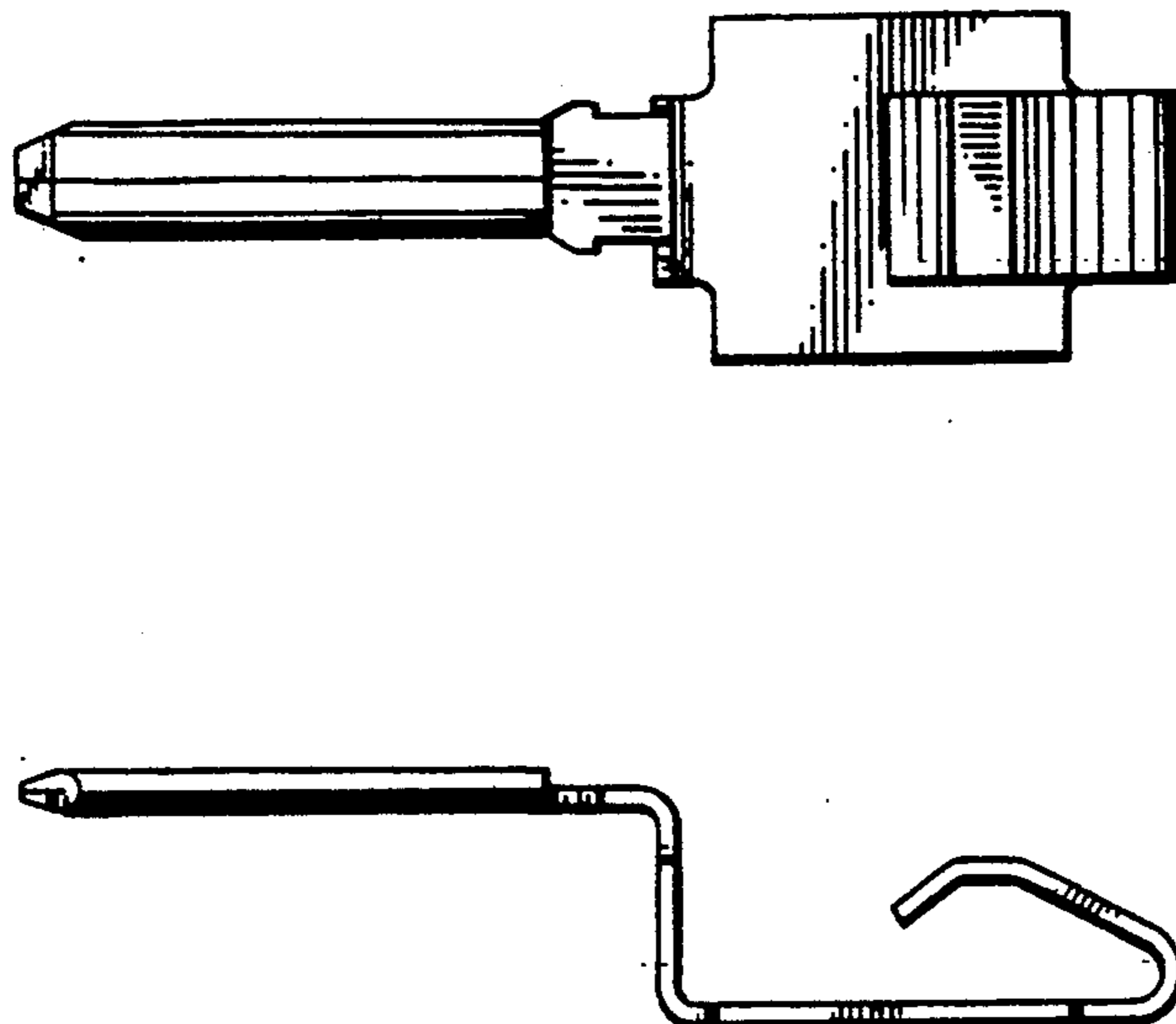
Primary Examiner—James M. Gandy
Assistant Examiner—Lisa Lichtenstein
Attorney, Agent, or Firm—Armstrong, Nikaido,
Marmelstein, Kobovcik & Murray

[57] **CLAIM**

The ornamental design for a terminal for a bulb socket, as shown and described.

DESCRIPTION

FIG. 1 is a top plan view of a terminal for a bulb socket, showing my new design;
FIG. 2 is a front elevational view thereof, the rear being a mirror image of that shown;
FIG. 3 is a bottom plan view thereof;
FIG. 4 is a left side elevational view thereof; and
FIG. 5 is a right side elevational view thereof.



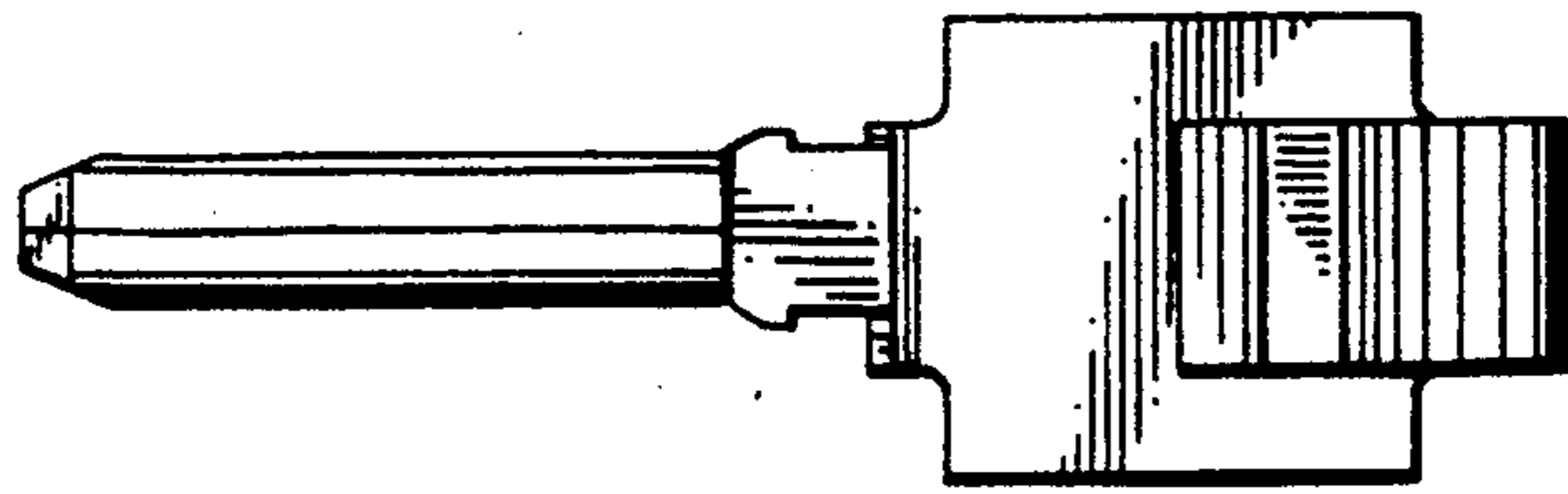


FIG. 1

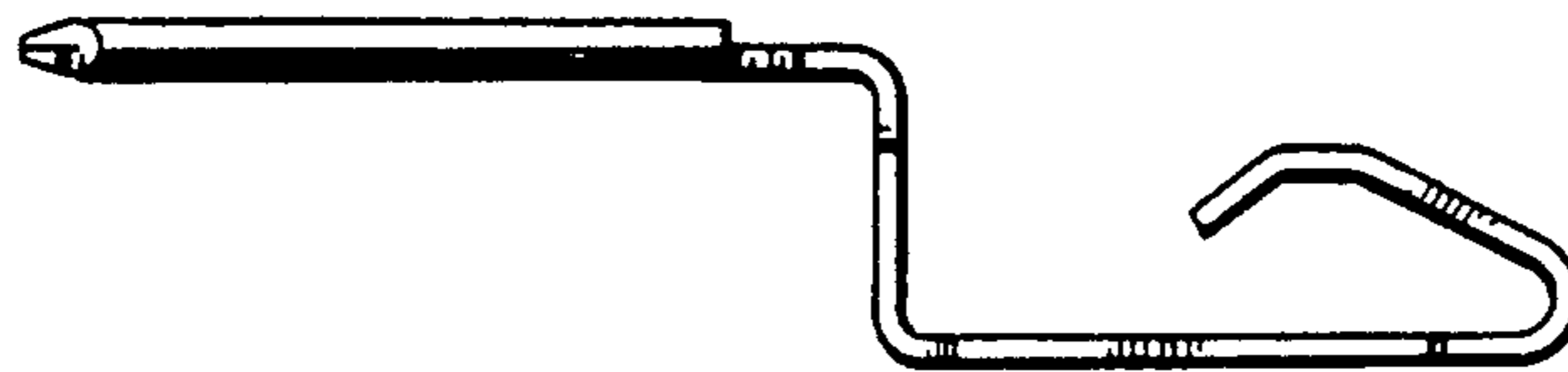


FIG. 2

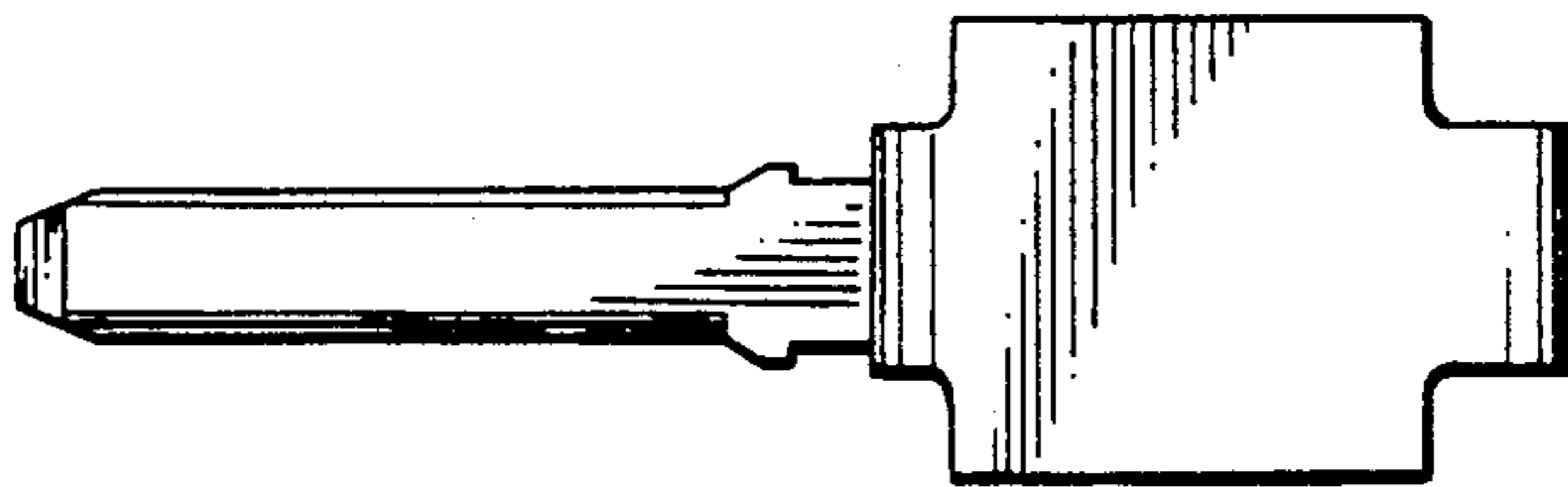


FIG. 3

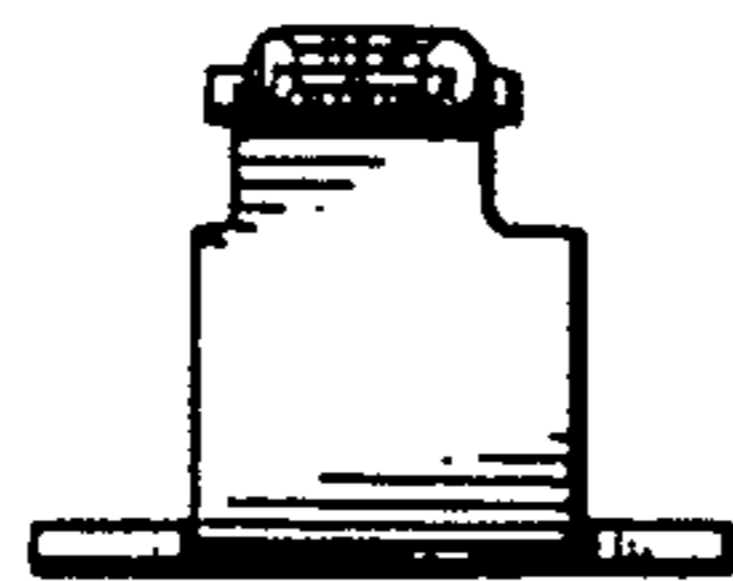


FIG. 4

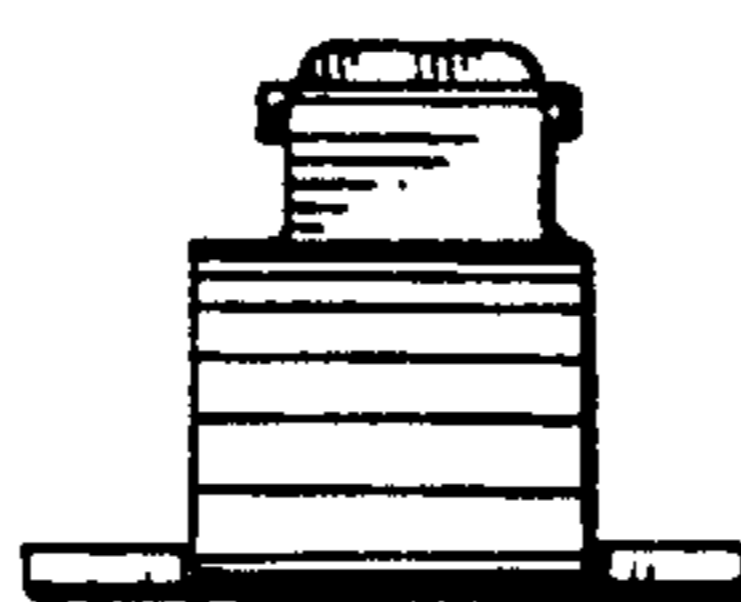


FIG. 5