

[54] HOUSING FOR A BULB SOCKET

[75] Inventor: Seiji Kozono, Shizuoka, Japan

[73] Assignee: Yazaki Corporation, Tokyo, Japan

[\*\*] Term: 14 Years

[21] Appl. No.: 279,134

[22] Filed: Dec. 2, 1988

[30] Foreign Application Priority Data

Jun. 3, 1988 [JP] Japan ..... 63-21754

[52] U.S. Cl. .... D13/147; D13/133

[58] Field of Search ..... D13/133, 146, 147; 439/567, 571, 572, 861, 862, 271

[56] References Cited

U.S. PATENT DOCUMENTS

4,588,248 5/1986 Moore ..... 439/571

OTHER PUBLICATIONS

Electrical Engineering, Feb. 1952, p. 24A, Cannon Electric UA Plug.

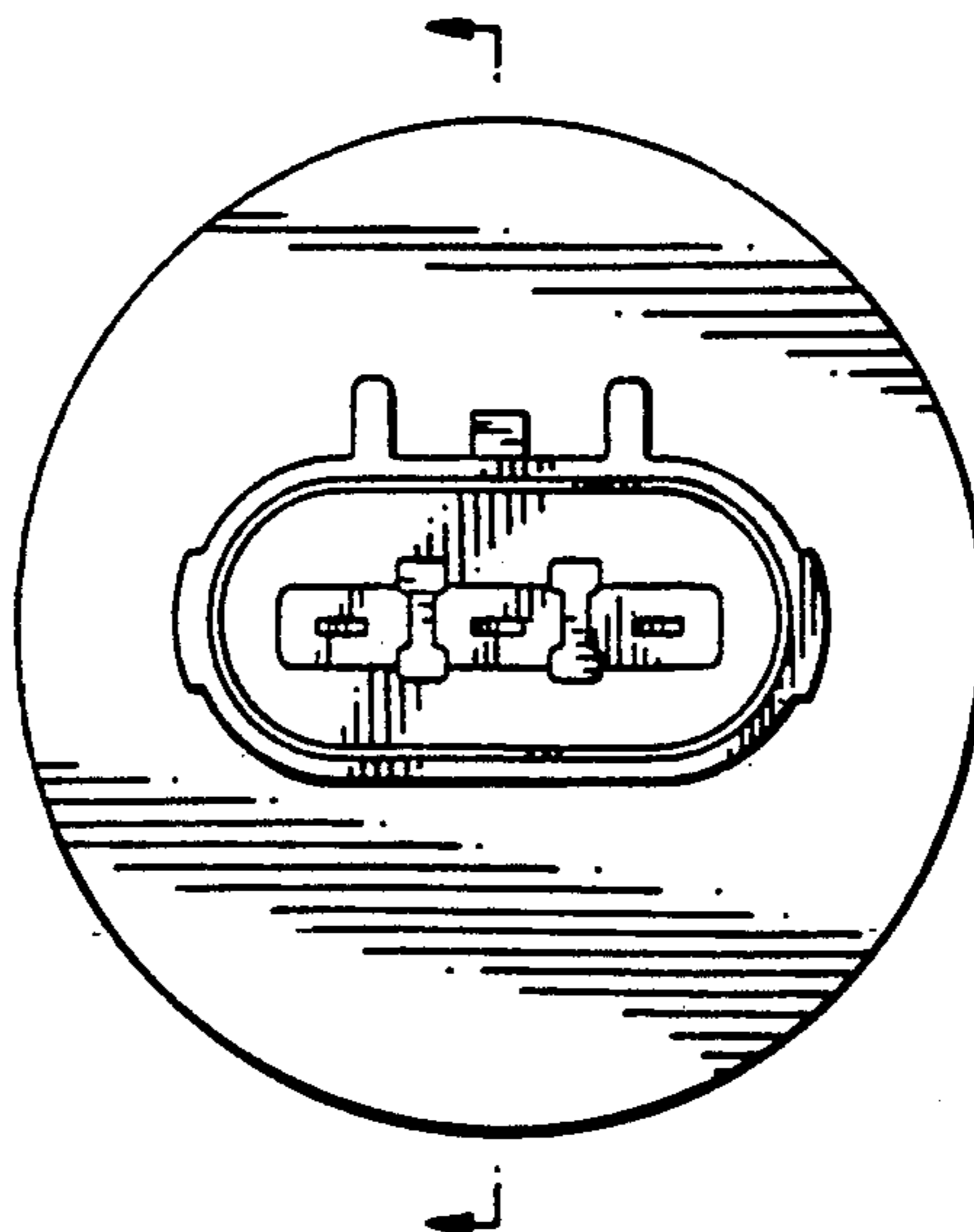
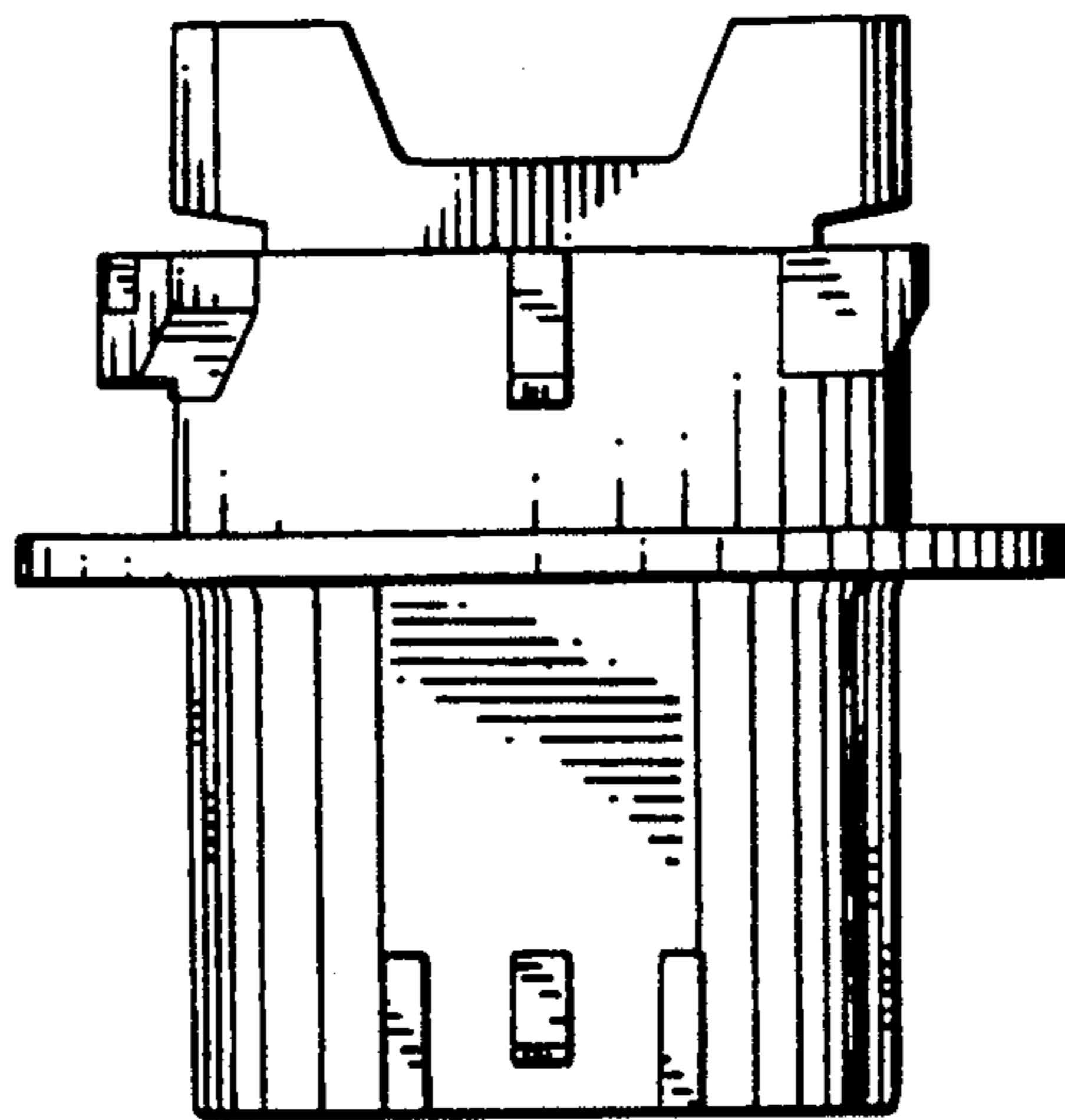
Primary Examiner—James M. Gandy  
Assistant Examiner—Lisa Lichtenstein  
Attorney, Agent, or Firm—Armstrong, Nikaido, Marmelstein, Kubovcik & Murray

[57] CLAIM

The ornamental design for a housing for a bulb socket, as shown.

DESCRIPTION

FIG. 1 is a top plan view of a housing for a bulb socket showing my new design;  
FIG. 2 is a front elevational view thereof;  
FIG. 3 is a bottom plan view thereof;  
FIG. 4 is a rear elevational view thereof;  
FIG. 5 is a left side elevational view thereof;  
FIG. 6 is a right side elevational view thereof; and  
FIG. 7 is an enlarged cross-sectional view thereof, taken along line 7—7 in FIG. 2.



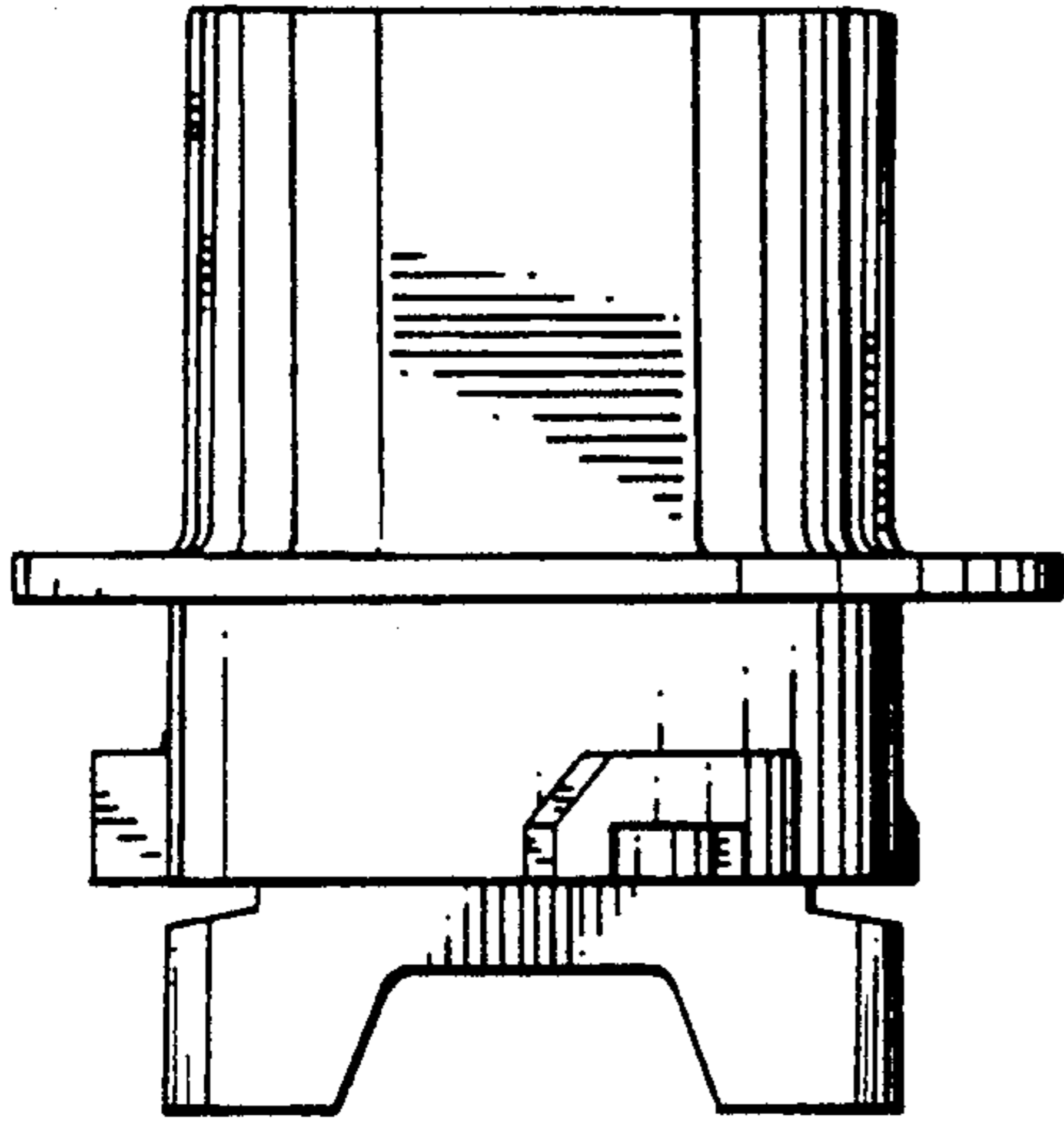


FIG. 3

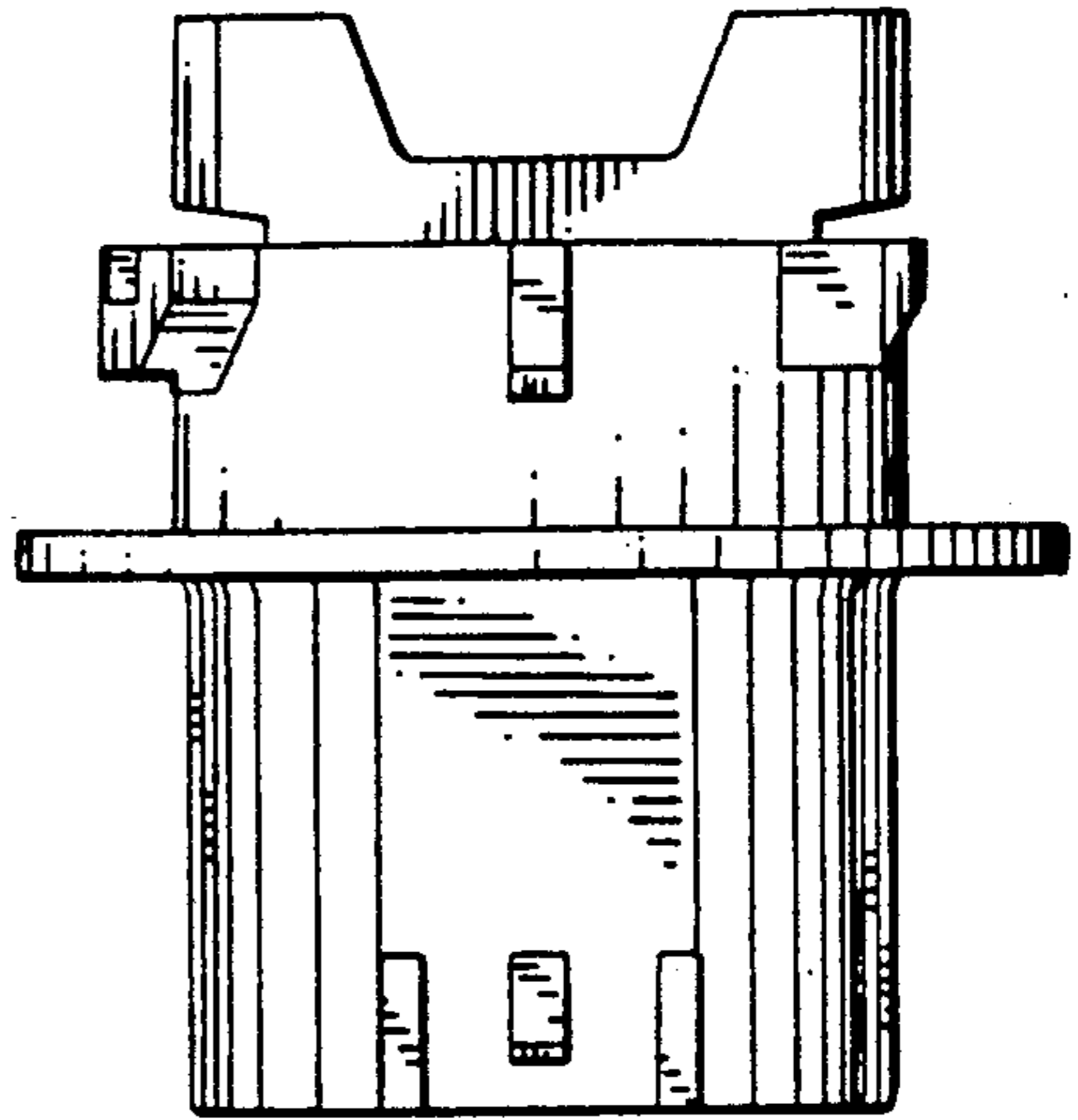


FIG. 1

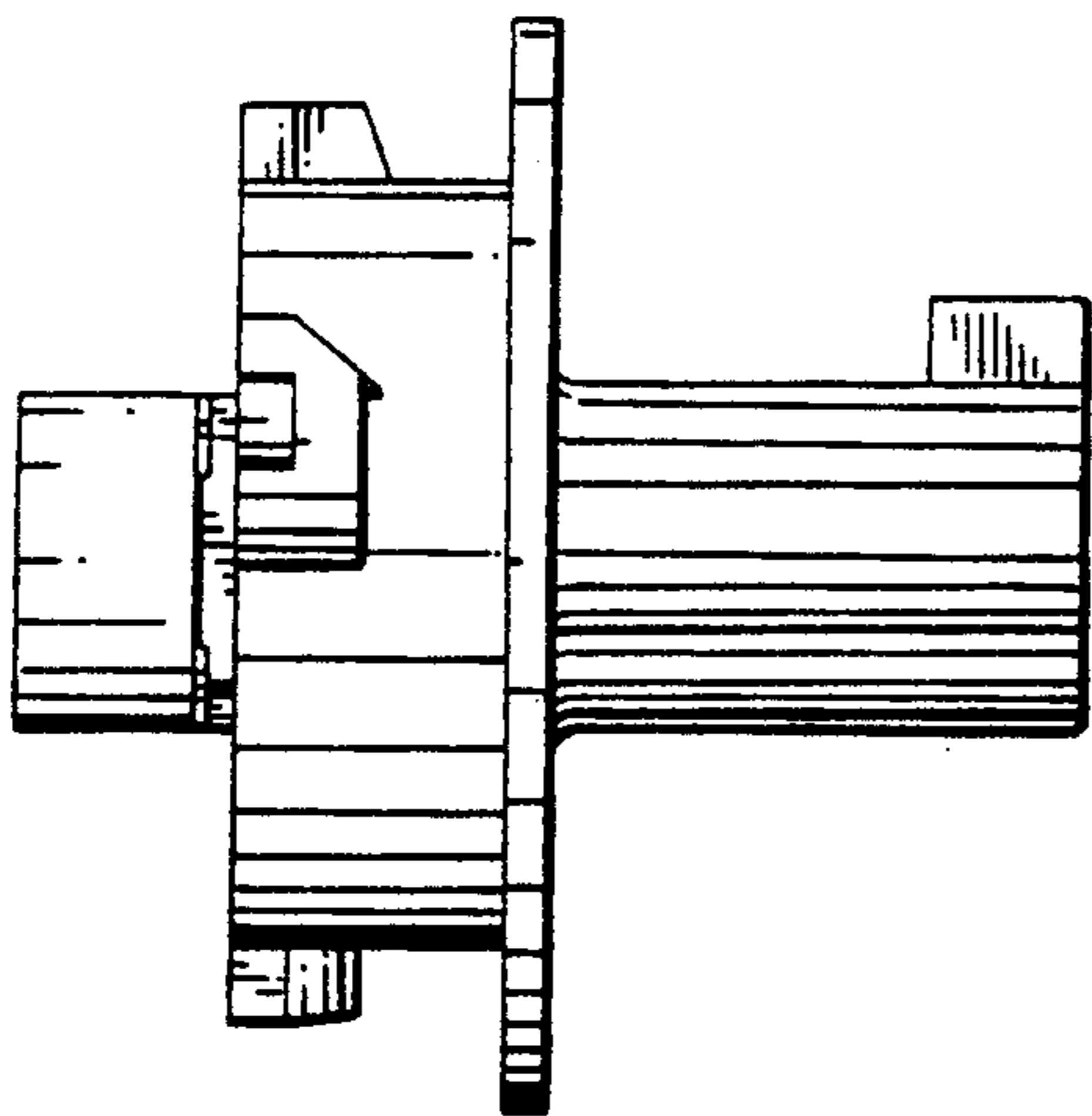


FIG. 5

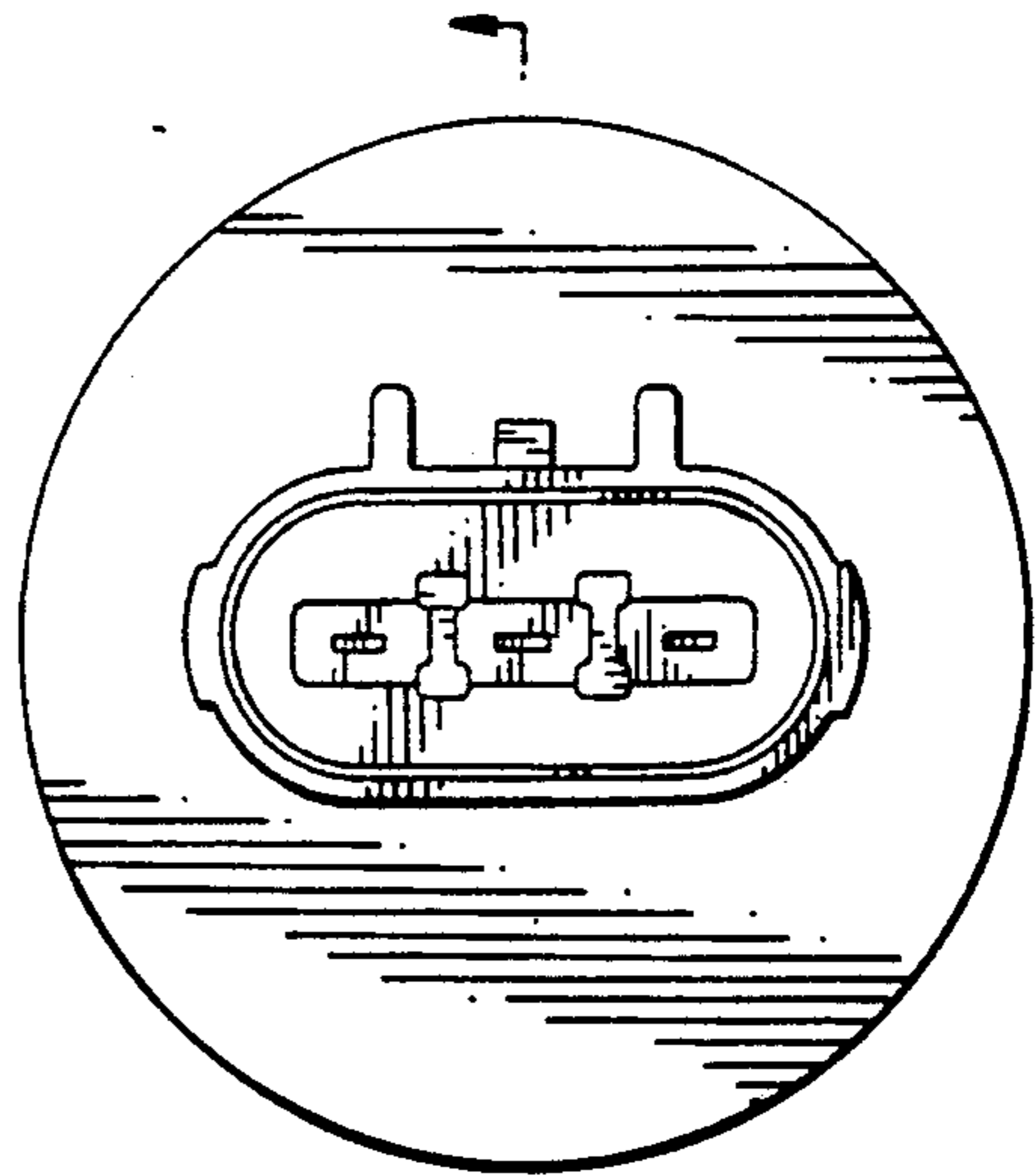


FIG. 2

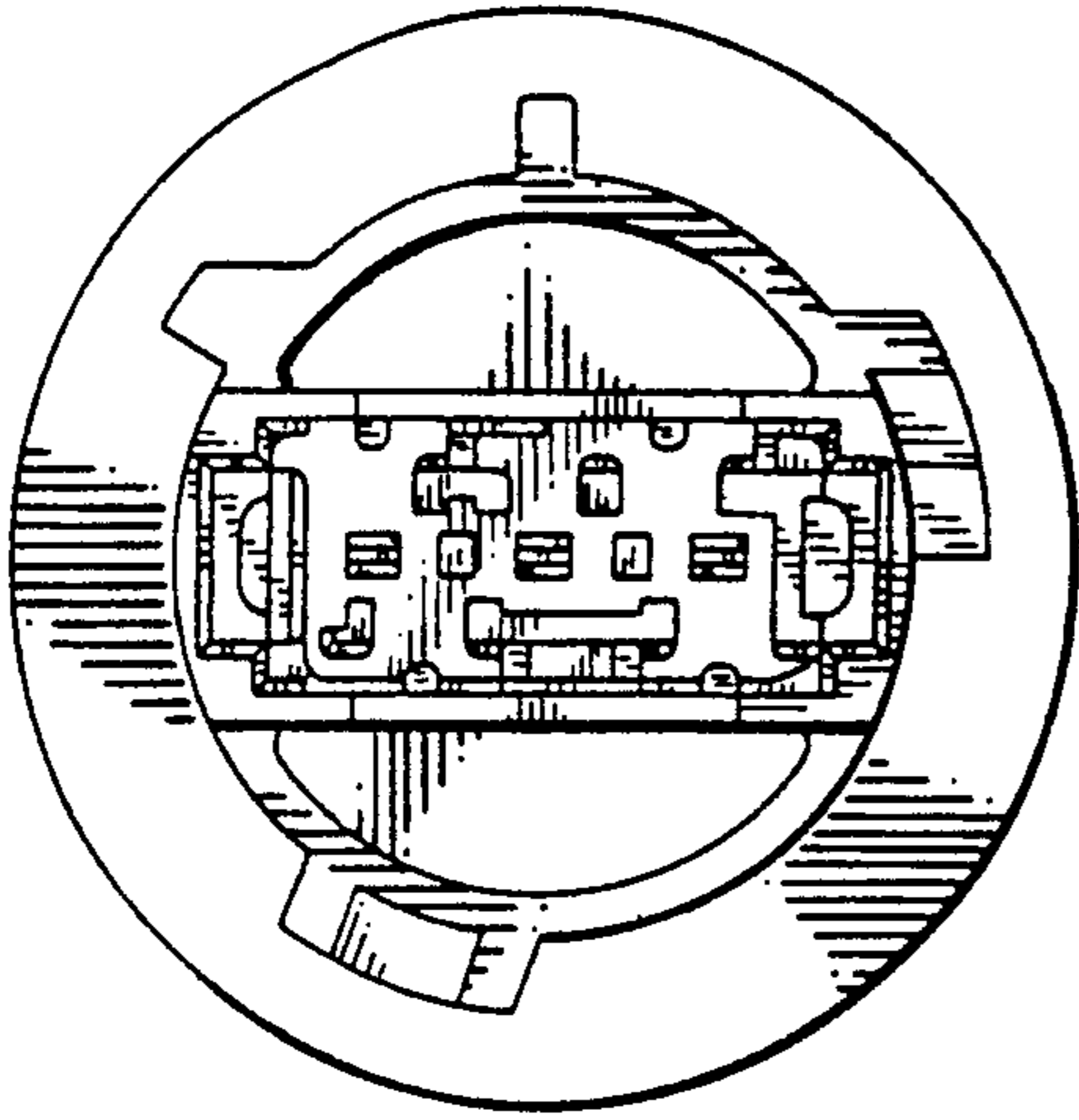


FIG. 4

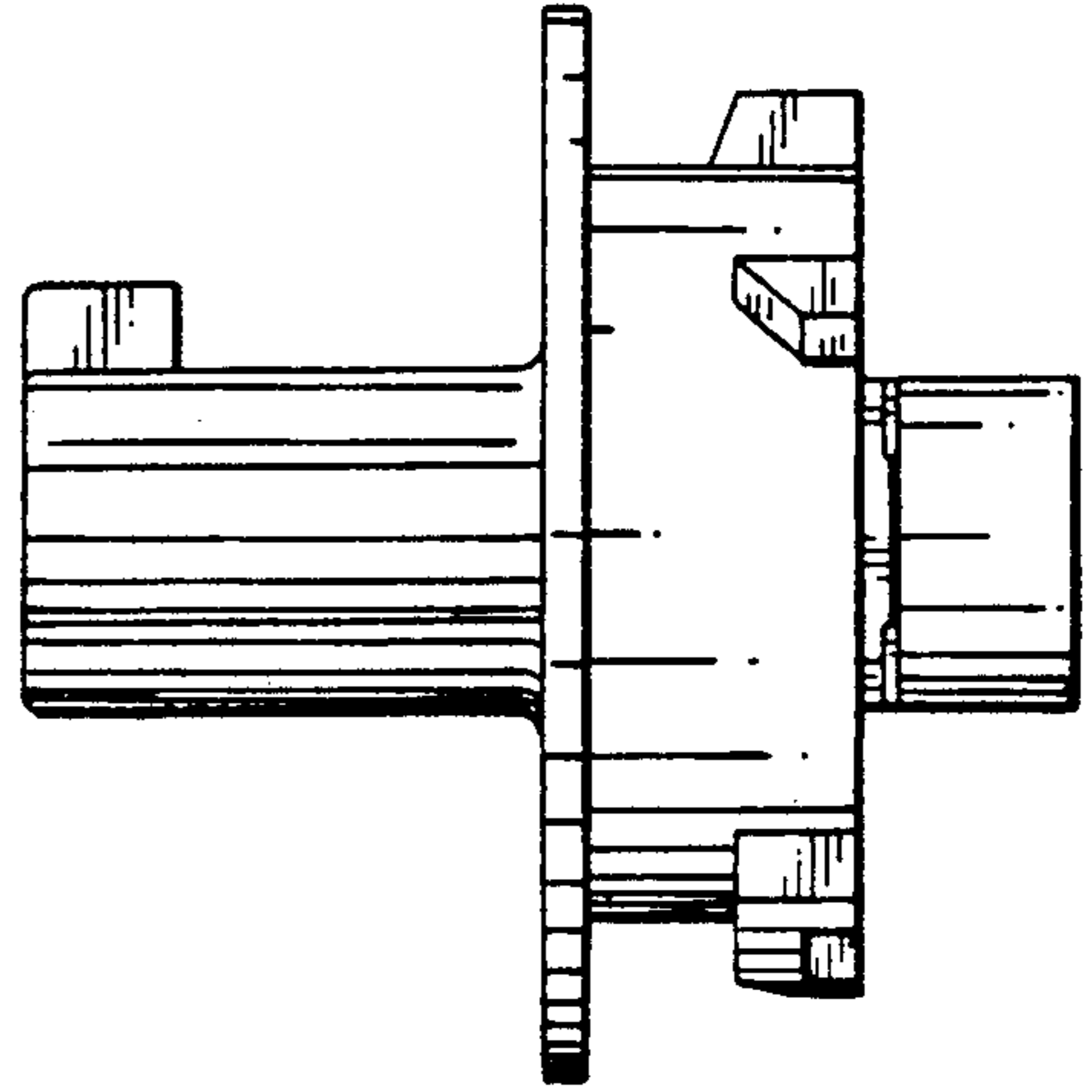


FIG. 6

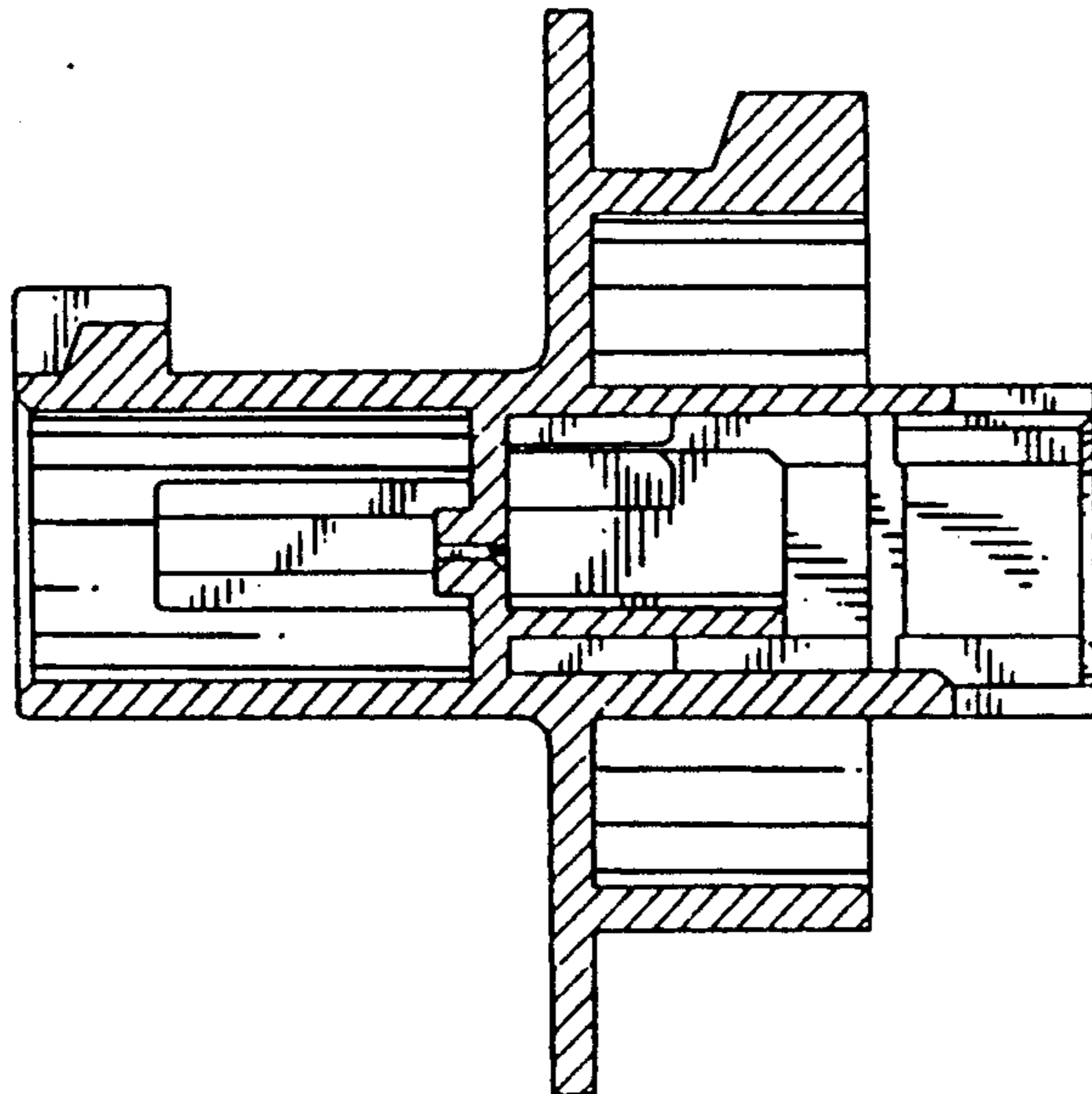


FIG. 7