

[54] PATCH PANEL

[75] Inventors: Peter Bellomo, Dedham; Robert Christiano, Andover; Stephen Fidrych, Boxborough; Michael Freeman, Marlboro; Stuart Morgan, Westford; Jon Mysel, Leominster; Michael Romm, Brighton, all of Mass.

[73] Assignee: Digital Equipment Corporation, Maynard, Mass.

[\*\*] Term: 14 Years

[21] Appl. No.: 93,897

[22] Filed: Sep. 4, 1987

[52] U.S. Cl. .... D13/147

[58] Field of Search ..... D13/146, 147, 154, 162, D13/164; D14/240, 241, 299; 439/92, 553, 638, 650, 676; 379/399, 156, 441, 442, 412

[56] References Cited

U.S. PATENT DOCUMENTS

- D. 220,569 4/1971 DeCarlo ..... D13/147
- D. 303,246 9/1989 Freeman et al. .... D13/147

OTHER PUBLICATIONS

- Patch Panel on p. 78 of *Telephony*, Feb. 10, 1986.
- Modular Patch Panel on p. 60 of *Telephony*, 2-17-86.

Nevada Western Patch Panel on p. back cover of *Telephony*, 4-28-86.

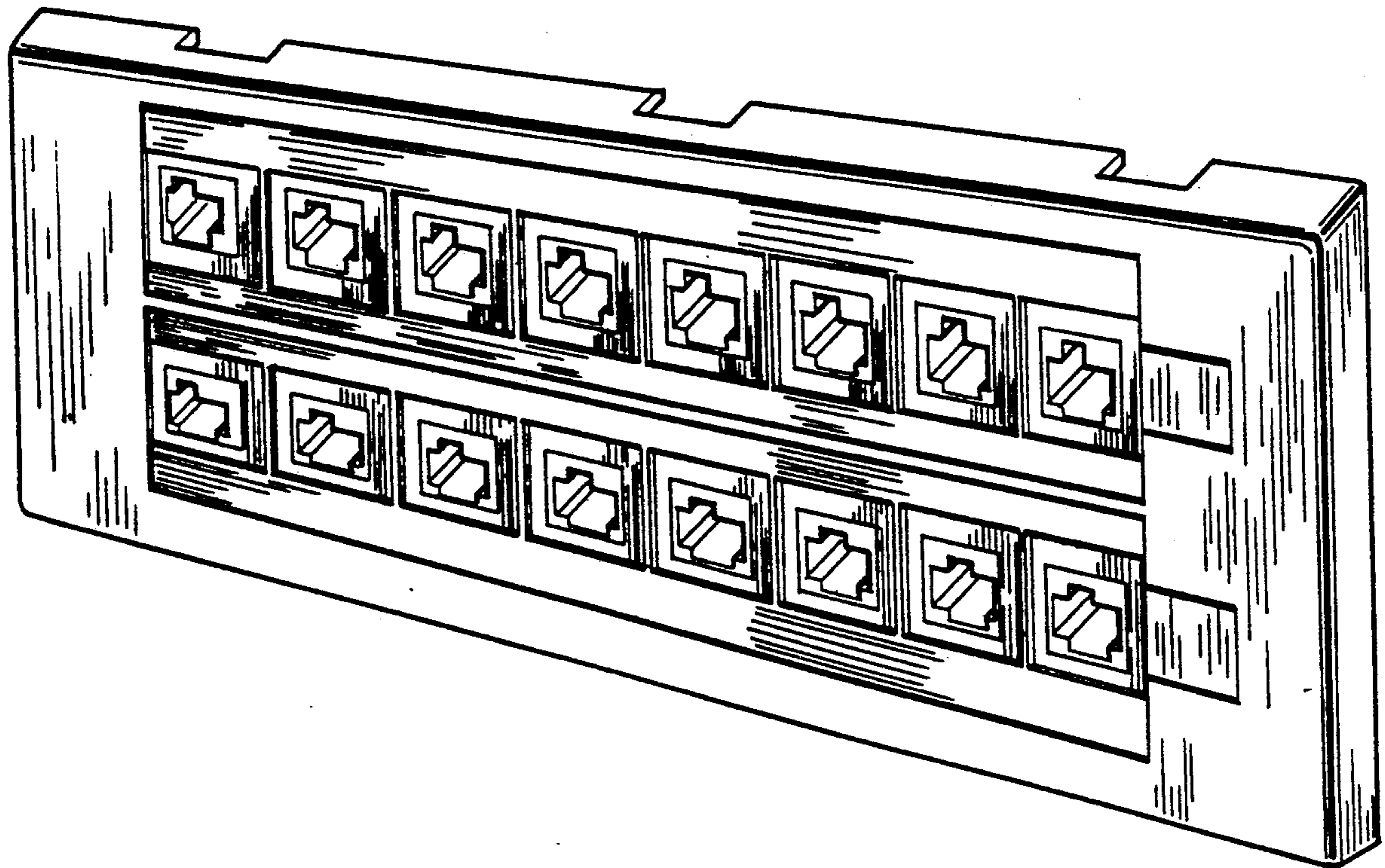
Primary Examiner—Susan J. Lucas  
Assistant Examiner—Joel Sincavage  
Attorney, Agent, or Firm—Cesari and McKenna

[57] CLAIM

The ornamental design for a patch panel, as shown and described.

DESCRIPTION

FIG. 1 is a perspective view of a patch panel showing our new design;  
 FIG. 2 is a top plan view thereof;  
 FIG. 3 is a side elevational view thereof, the opposite side elevational view being a mirror image;  
 FIG. 4 is a front elevational view thereof;  
 FIG. 5 is a rear elevational view thereof;  
 FIG. 6 is a perspective view of a patch panel showing a second embodiment of our new design;  
 FIG. 7 is a top plan view thereof;  
 FIG. 8 is a side elevational view thereof, the opposite side elevational view being a mirror image;  
 FIG. 9 is a front elevational view thereof;  
 FIG. 10 is a rear elevational view thereof;  
 FIG. 11 is a perspective view of a patch panel showing a third embodiment of our new design;  
 FIG. 12 is a top plan view thereof;  
 FIG. 13 is a side elevational view thereof, the opposite side elevational view being a mirror image;  
 FIG. 14 is a front elevational view thereof; and  
 FIG. 15 is a rear elevational view thereof.



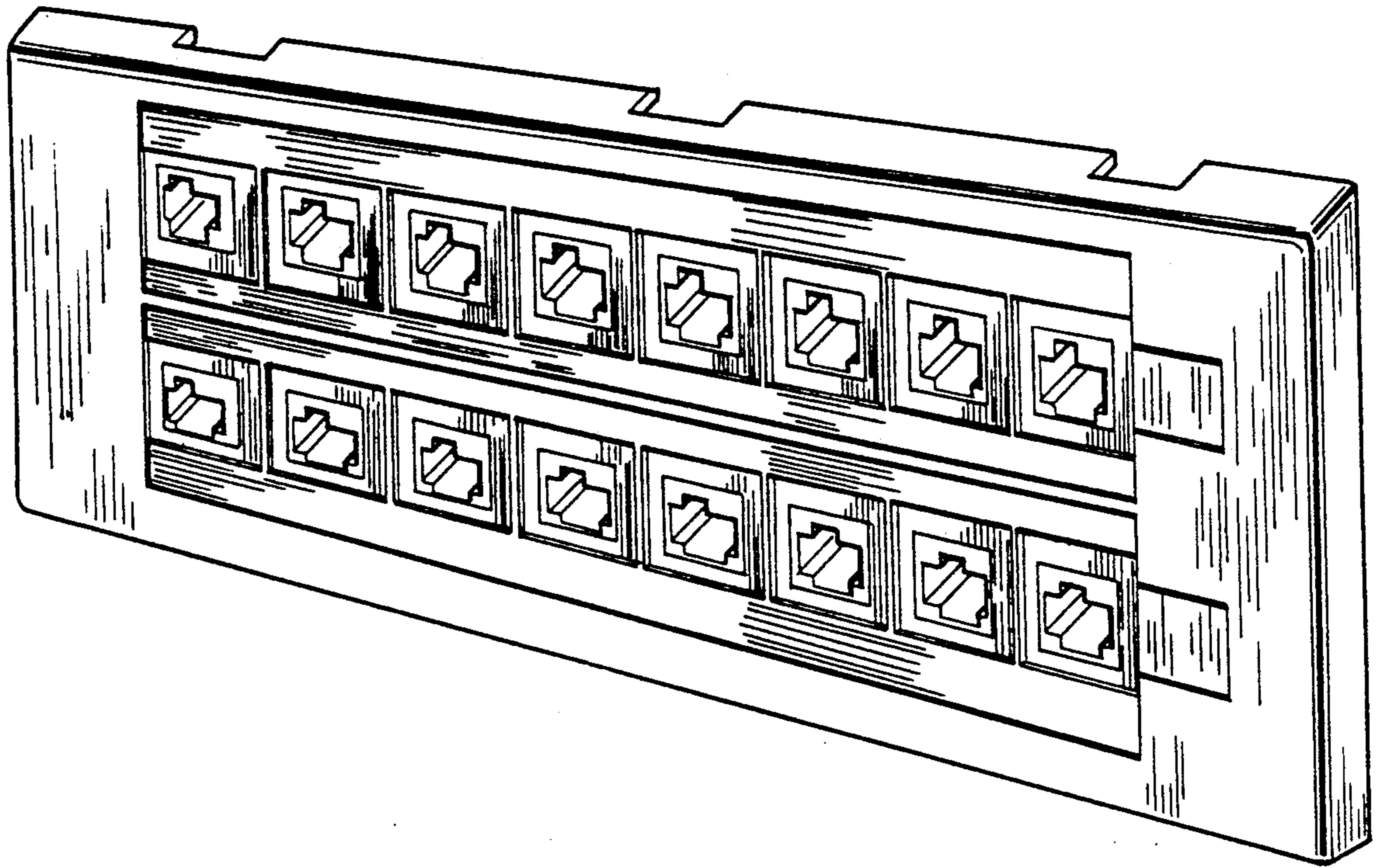


FIG. 1

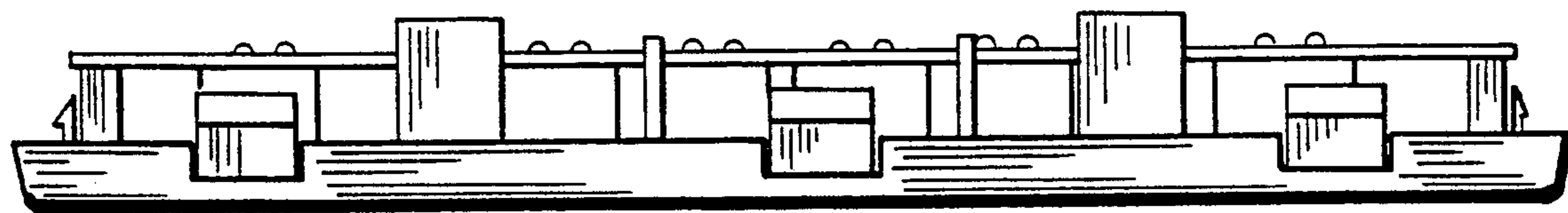


FIG. 2

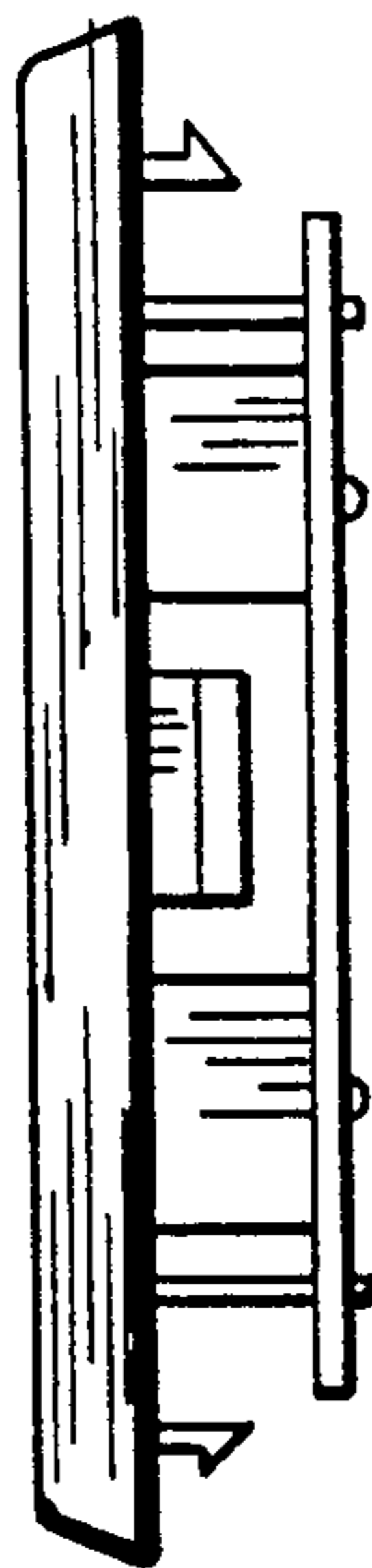


FIG. 3

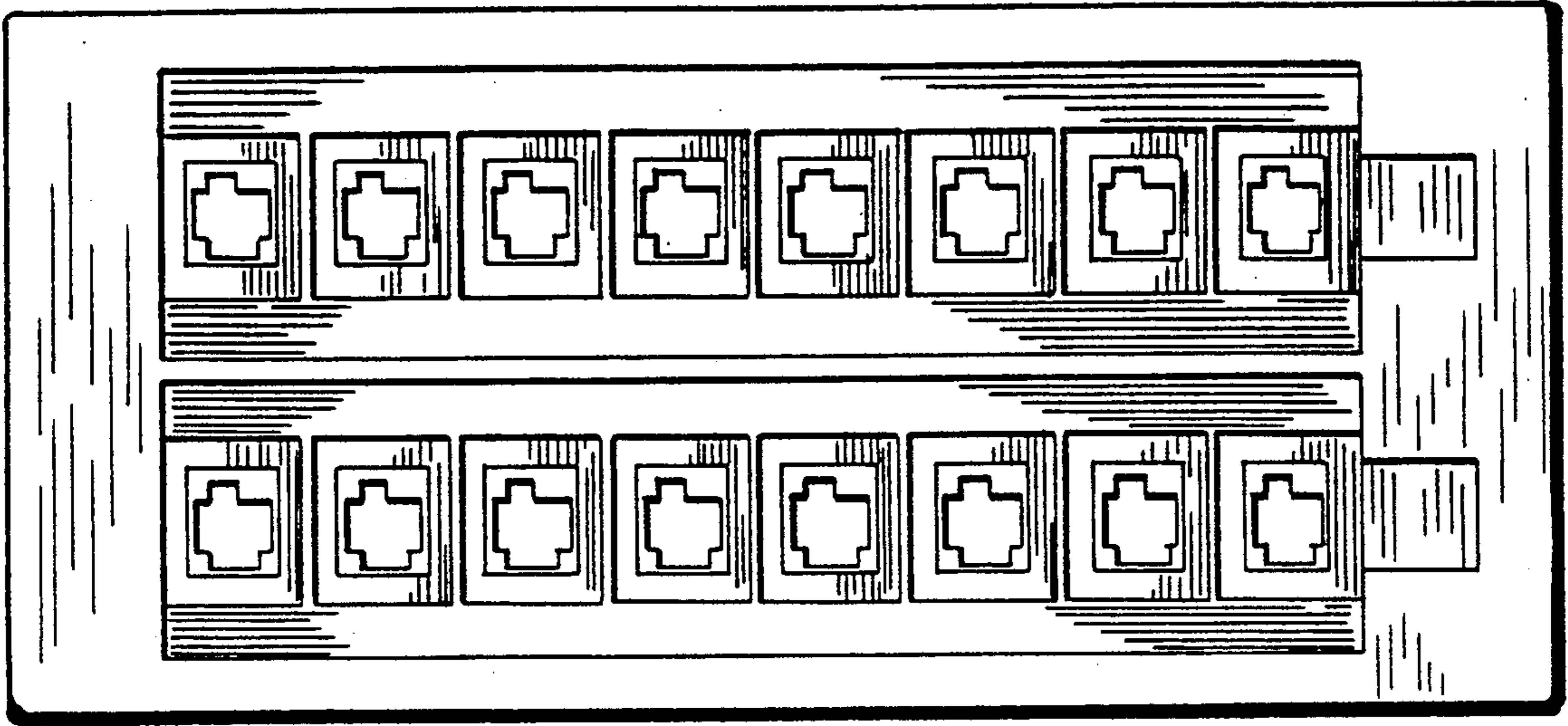


FIG. 4

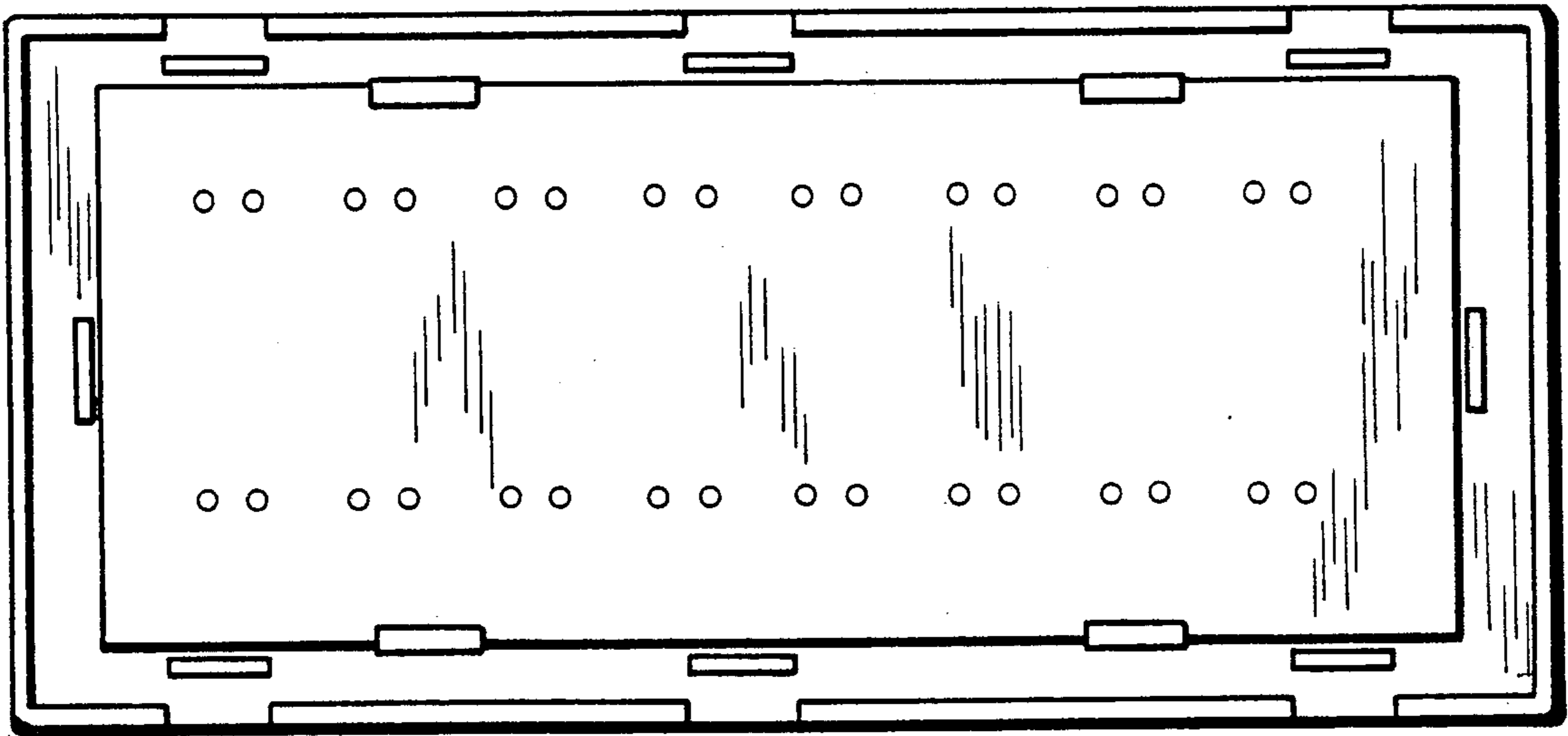


FIG. 5

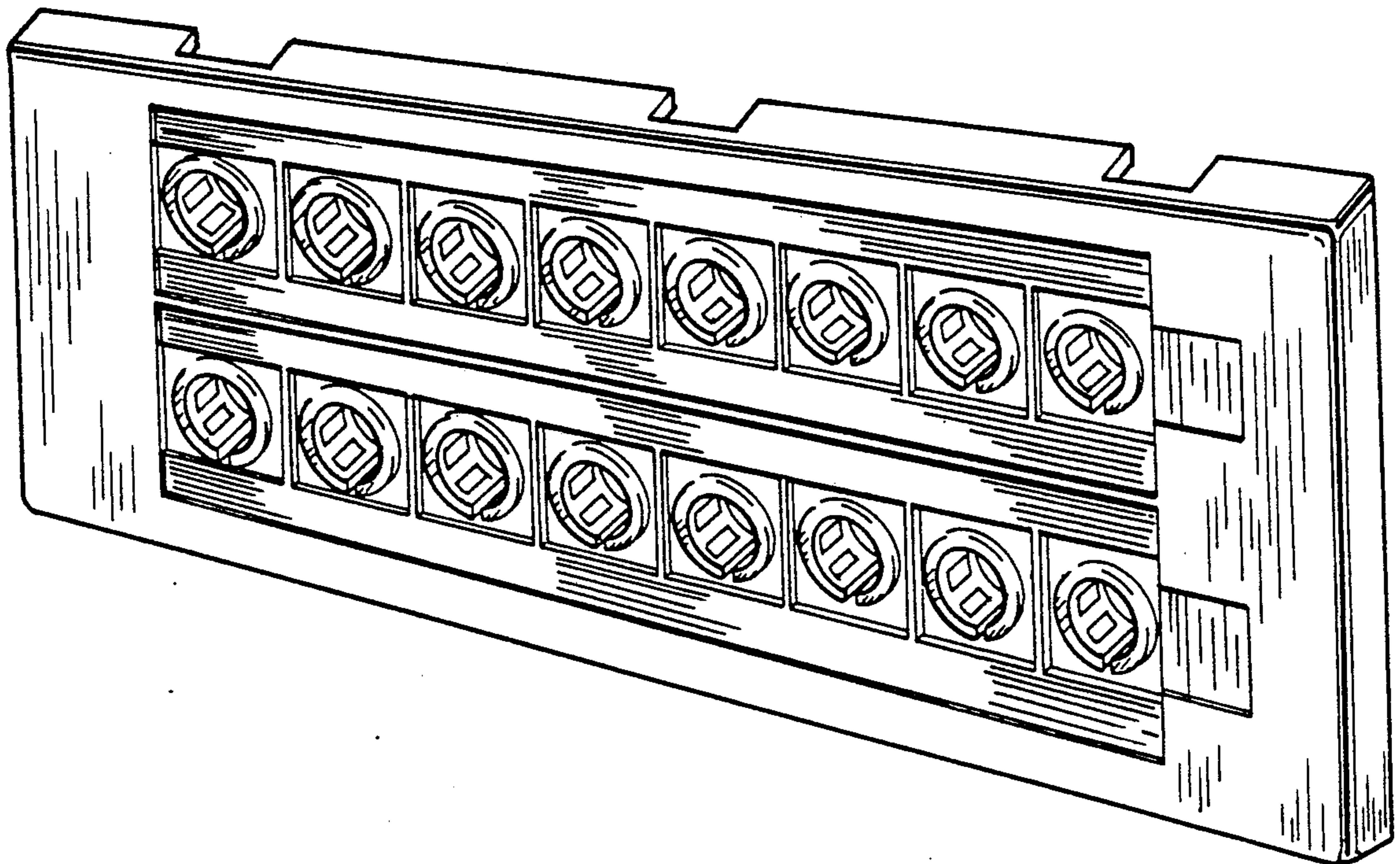


FIG. 6



FIG. 7



FIG. 8

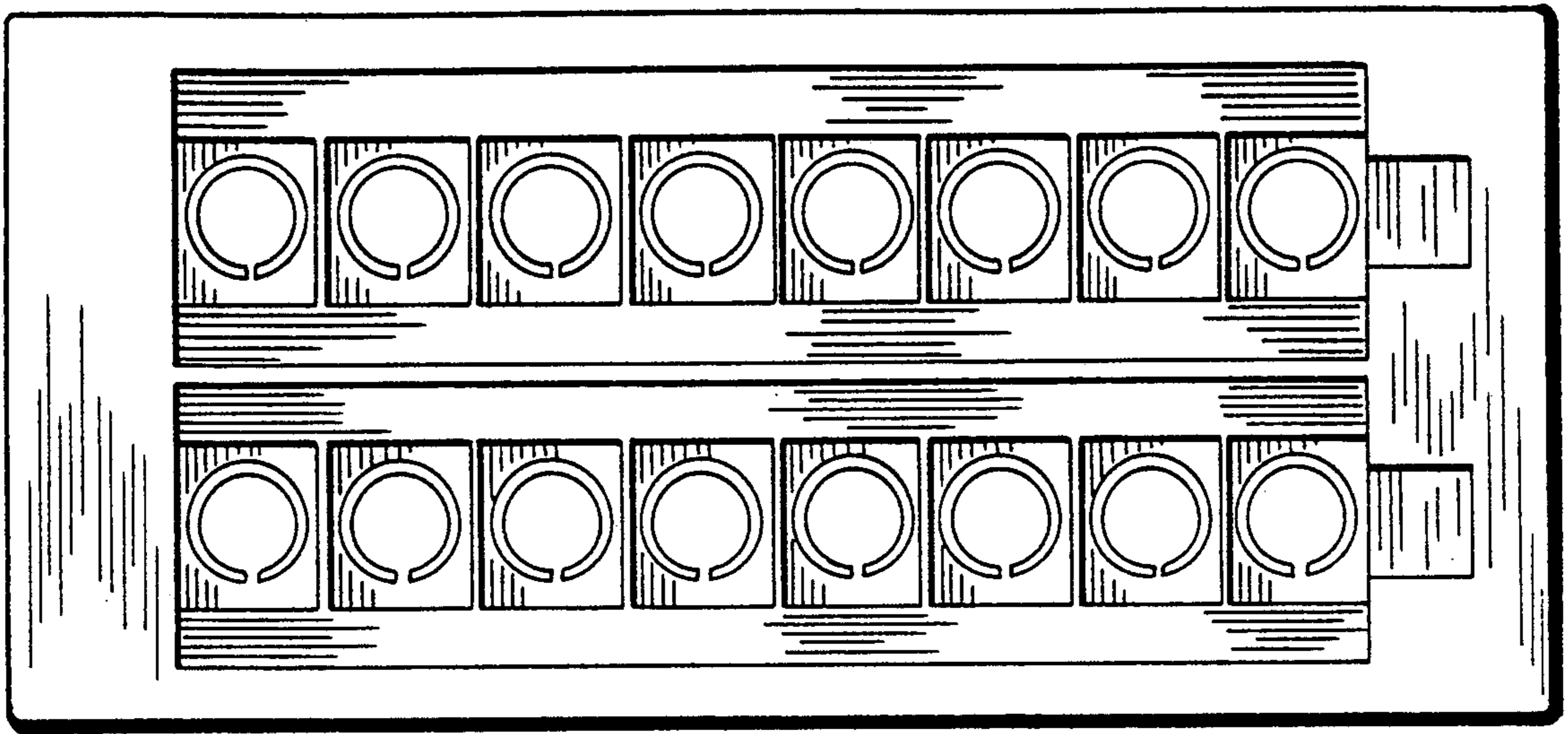


FIG. 9

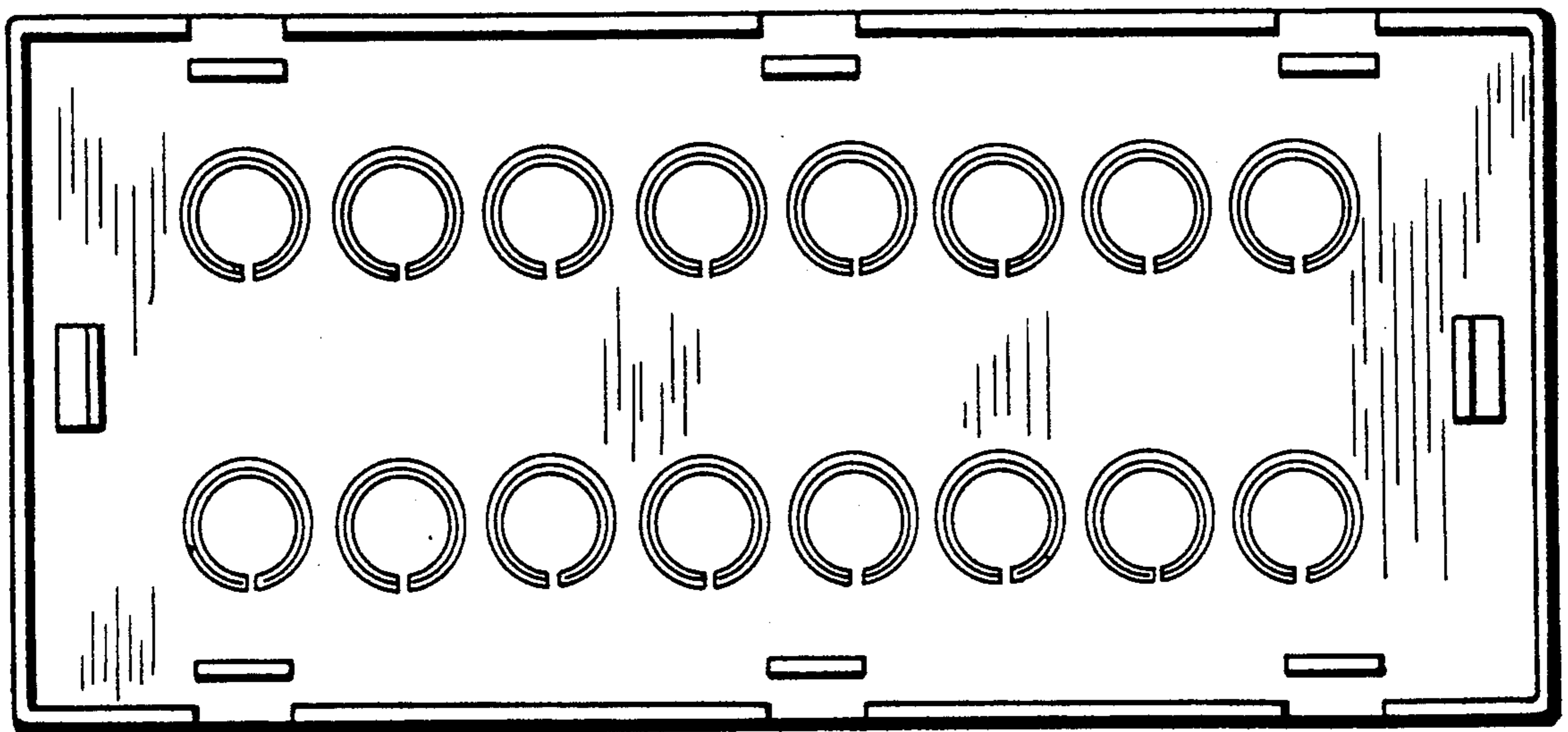


FIG. 10

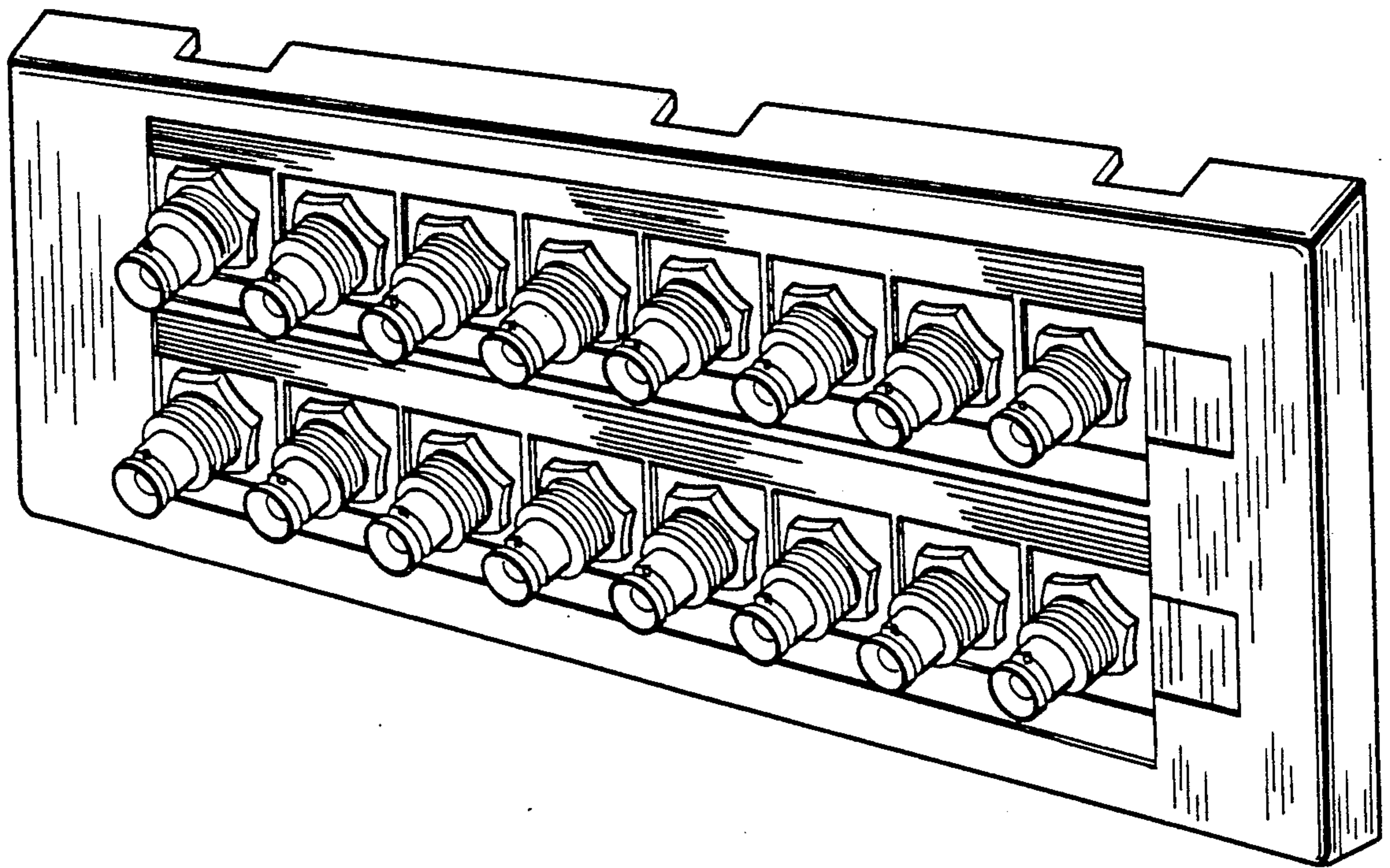


FIG. II



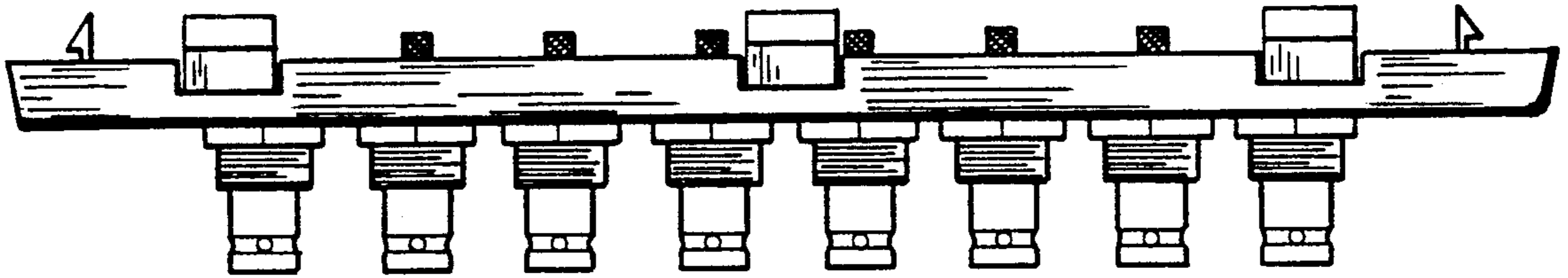


FIG. 12

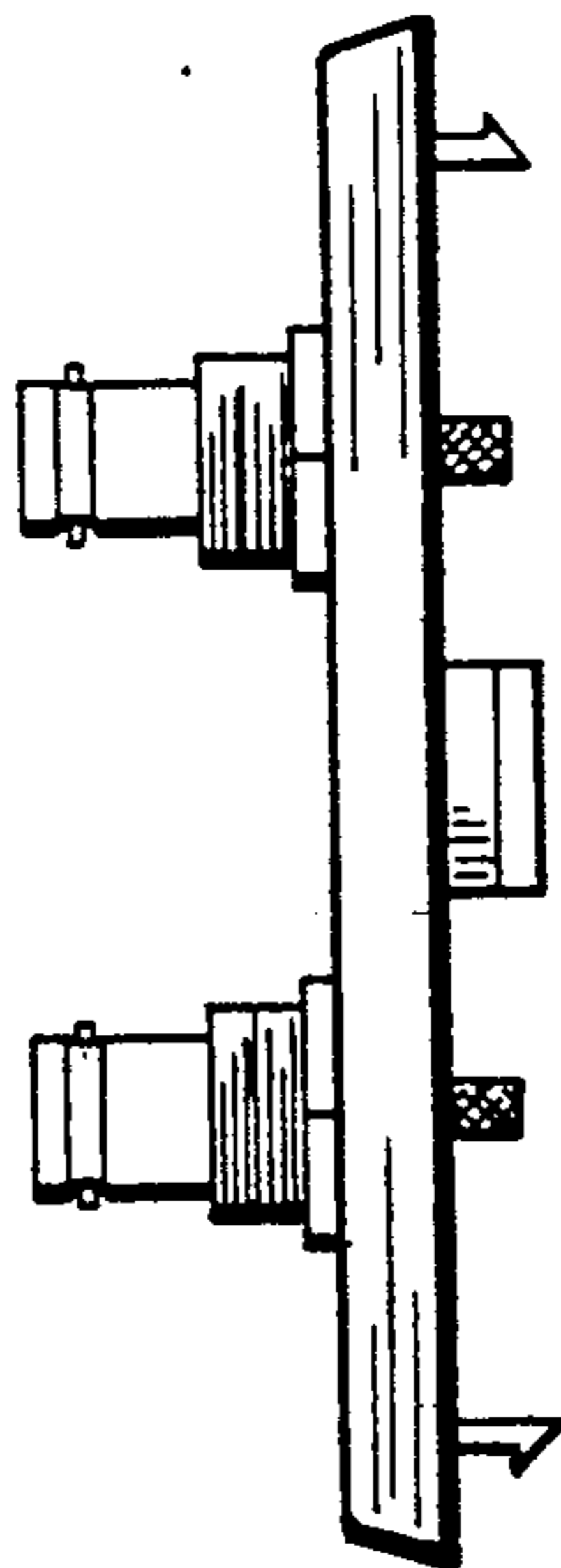


FIG. 13

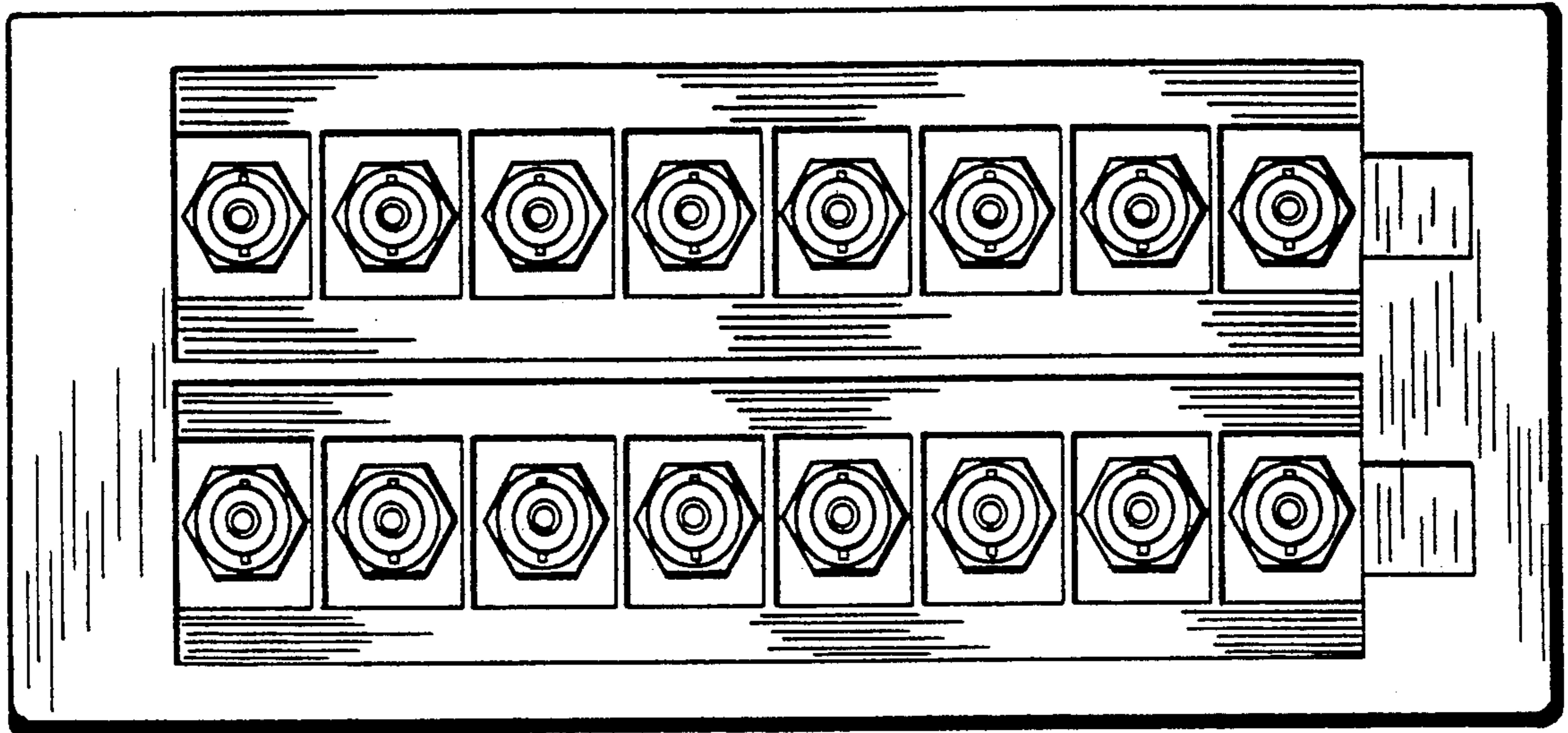


FIG. 14

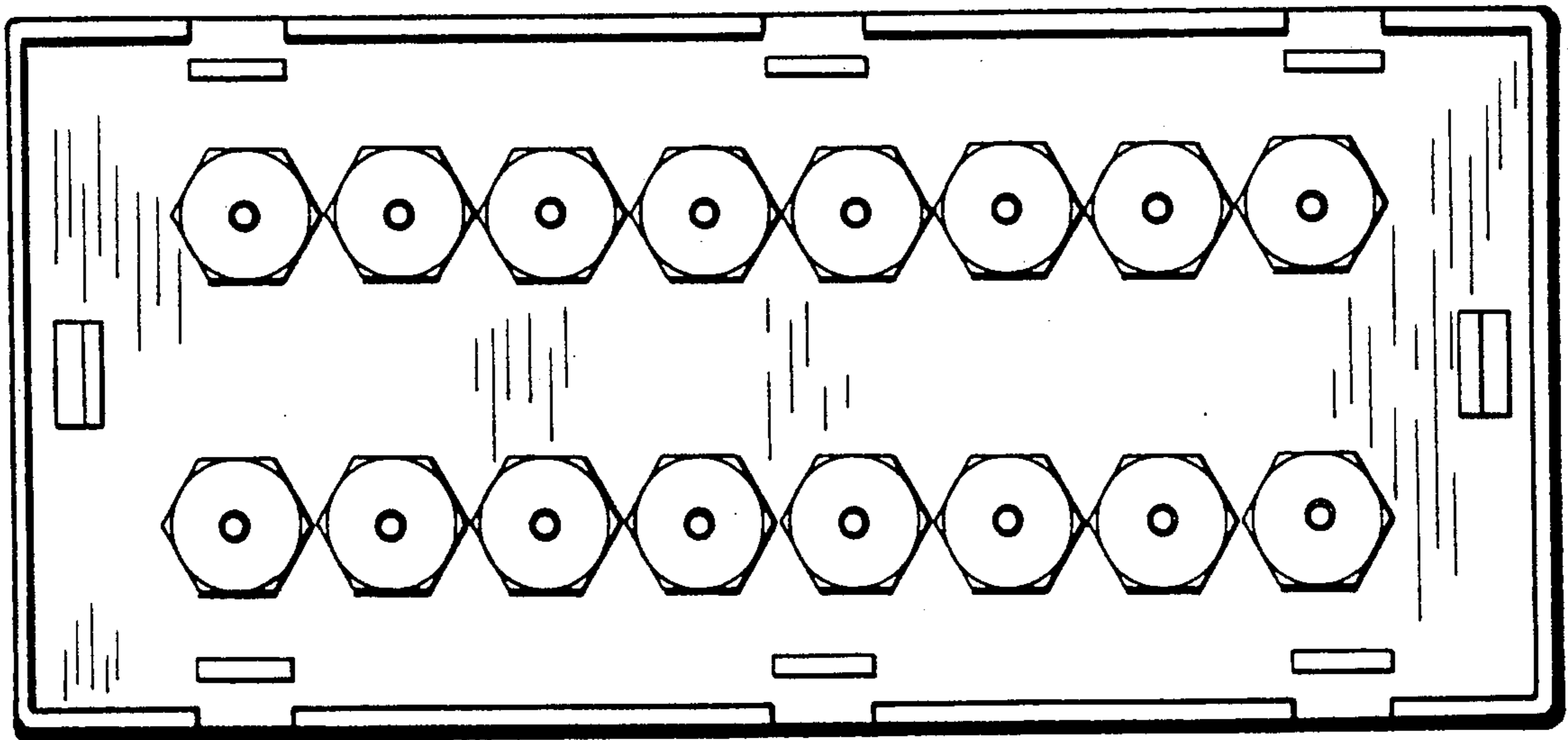


FIG. 15