

[54] ELECTRICAL ISULATOR WITH INTEGRAL CURRENT SENSOR

D. 256,353 8/1980 Evans D13/160
D. 256,354 8/1980 Ramos D13/129
D. 256,355 8/1980 Evans et al. D13/129
2,156,450 5/1939 Cole D13/160 X

[75] Inventors: Roy T. Swanson, North Riverside;
Bruce A. Biller, Chicago; Henry W. Scherer, Mt. Prospect, all of Ill.

Primary Examiner—Susan J. Lucas
Assistant Examiner—Joel Sincavage
Attorney, Agent, or Firm—James V. Lapacek

[73] Assignee: S&C Electric Company, Chicago, Ill.

[**] Term: 14 Years

[57] CLAIM

[21] Appl. No.: 331,574

The ornamental design for an electrical insulator with integral current sensor, as shown and described.

[22] Filed: Mar. 30, 1989

DESCRIPTION

[52] U.S. Cl. D13/132

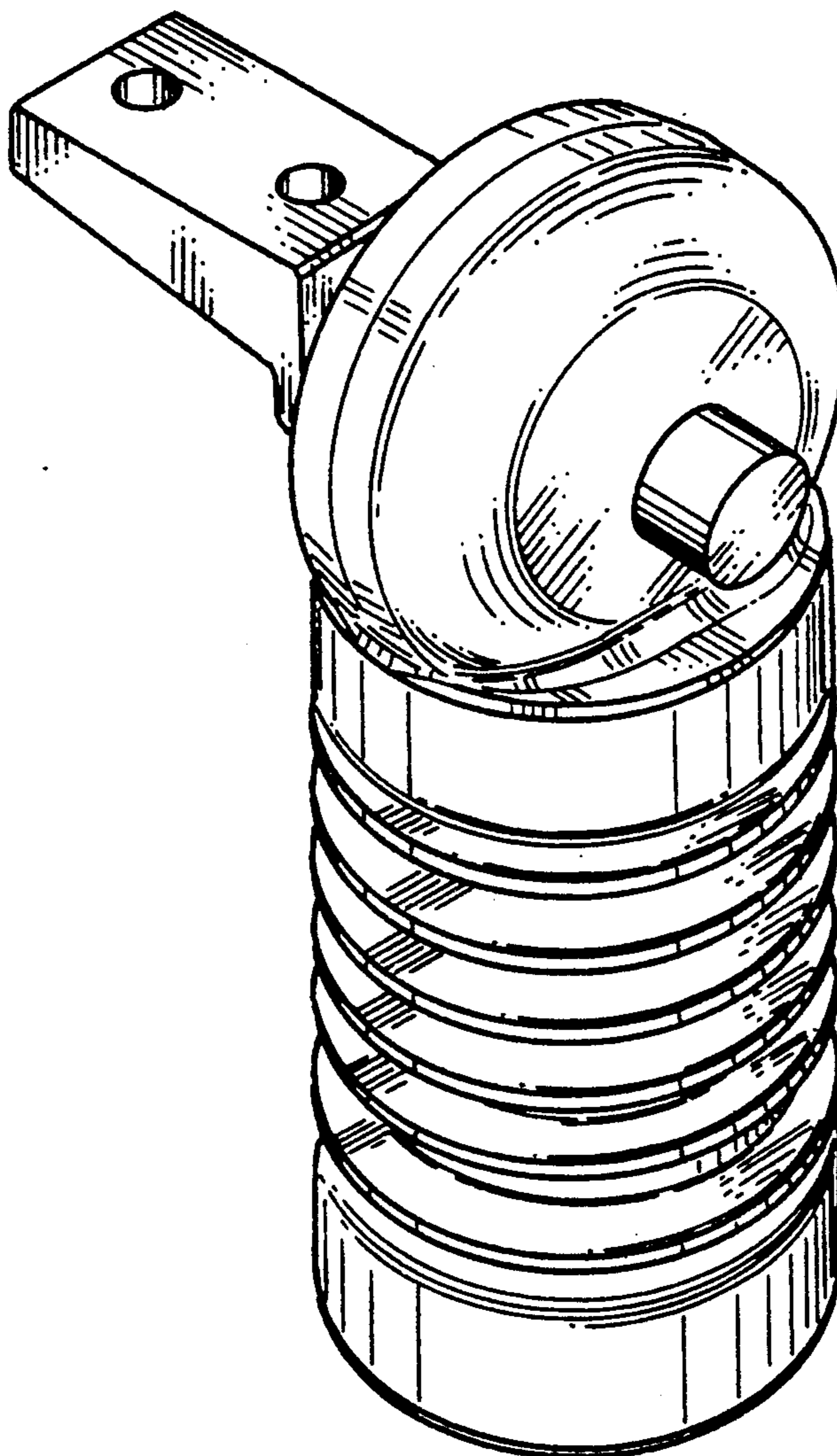
[58] Field of Search D13/158, 160, 169, 129-132;
200/48 R, 48 P, 48 A, 48 B, 146 R; 174/152 R,
152 E

FIG. 1 is a perspective view of an electrical insulator with integral current sensor showing our new design; FIG. 2 is a front elevational view thereof; FIG. 3 is a rear elevational view thereof; FIG. 4 is a left side elevational view thereof, the right side elevational view being a mirror image; FIG. 5 is a top plan view thereof; FIG. 6 is a bottom plan view thereof.

[56] References Cited

U.S. PATENT DOCUMENTS

D. 256,352 8/1980 Evans D13/160



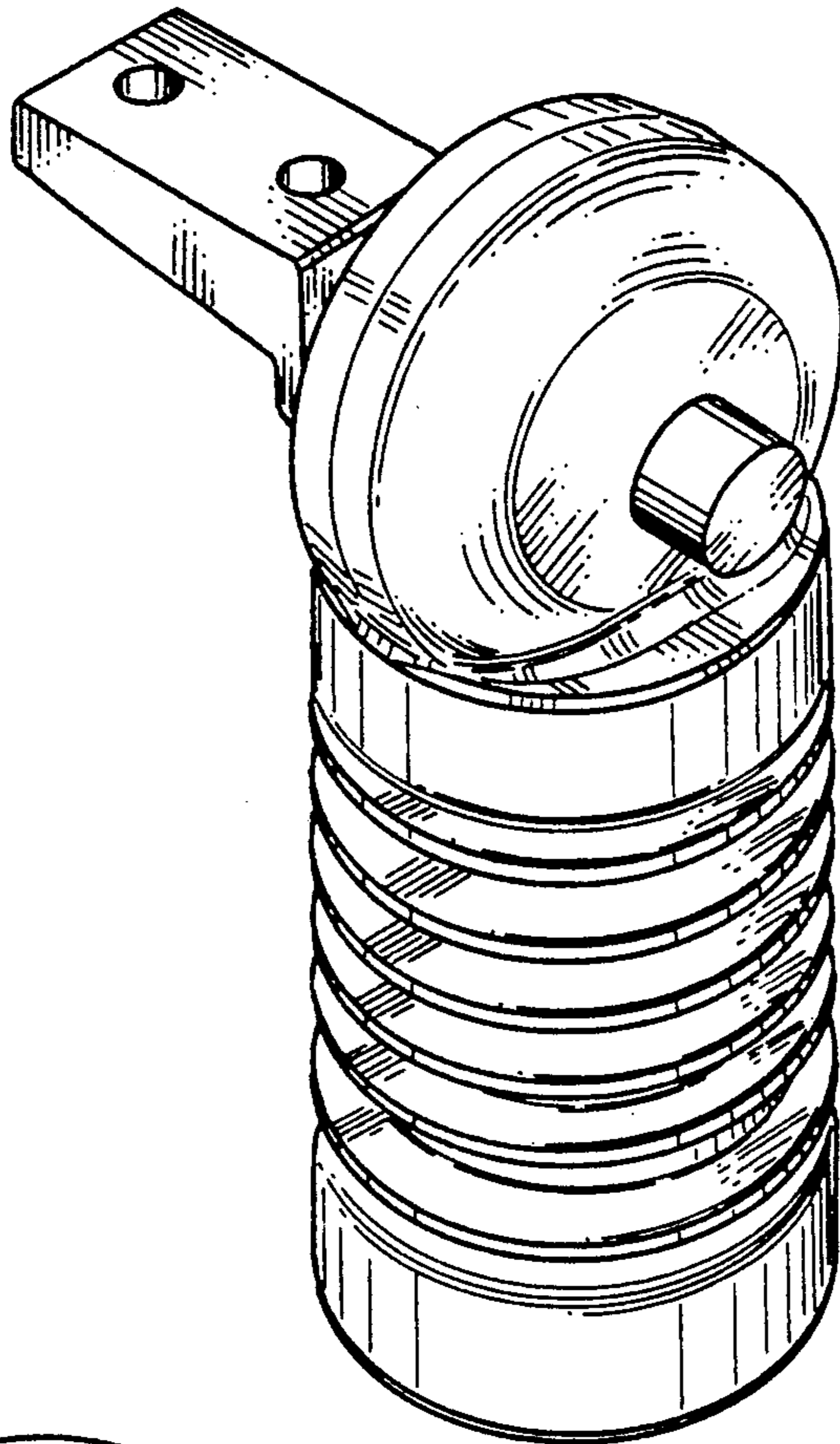


FIG. 1

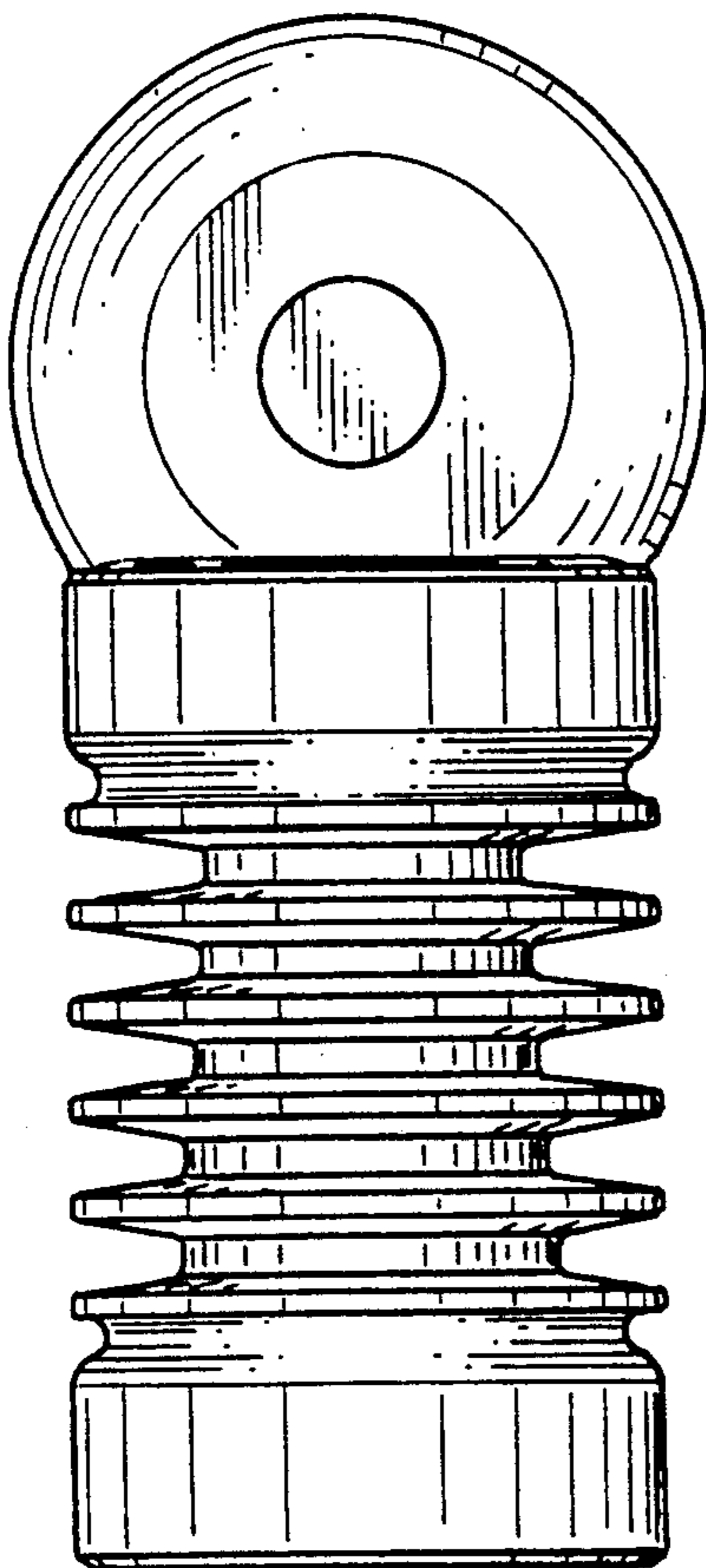


FIG. 2

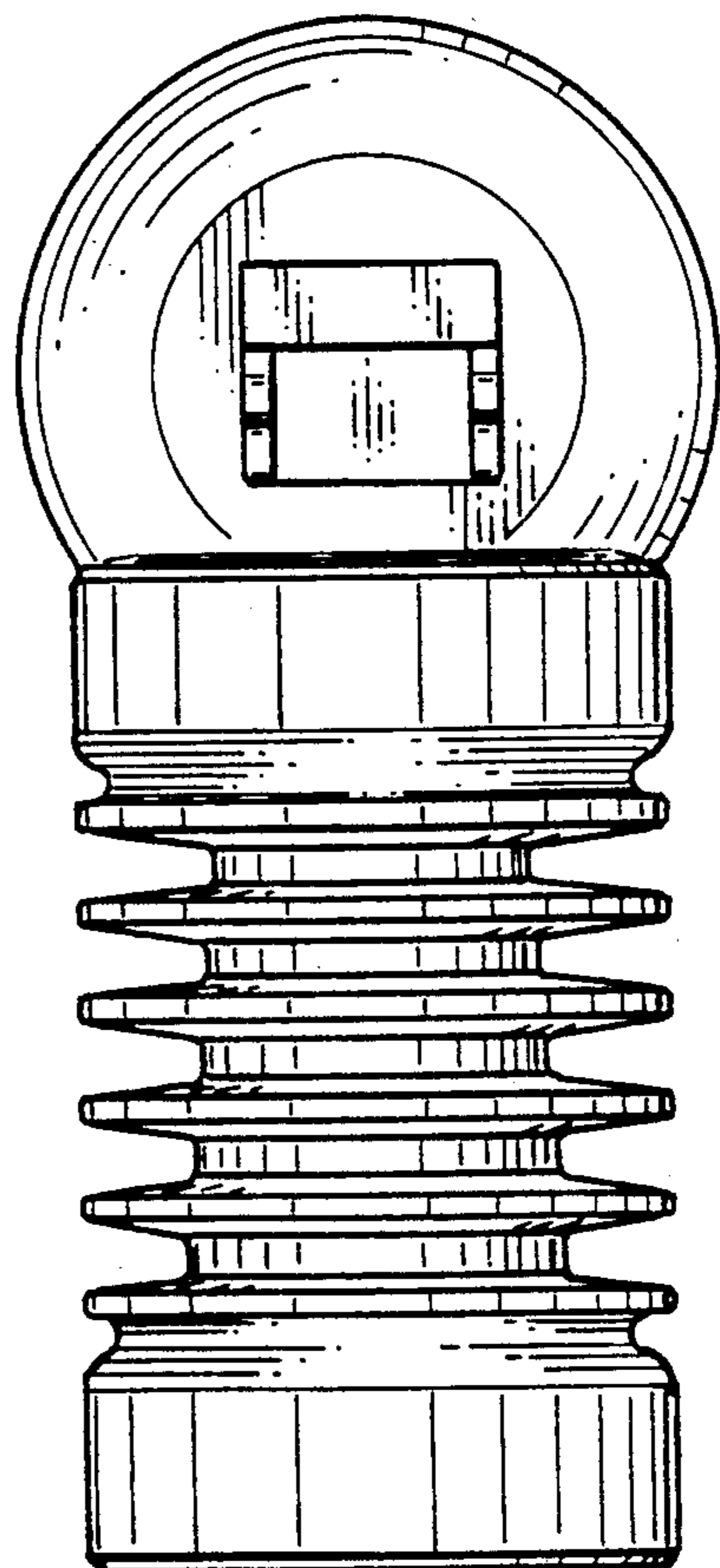


FIG. 3

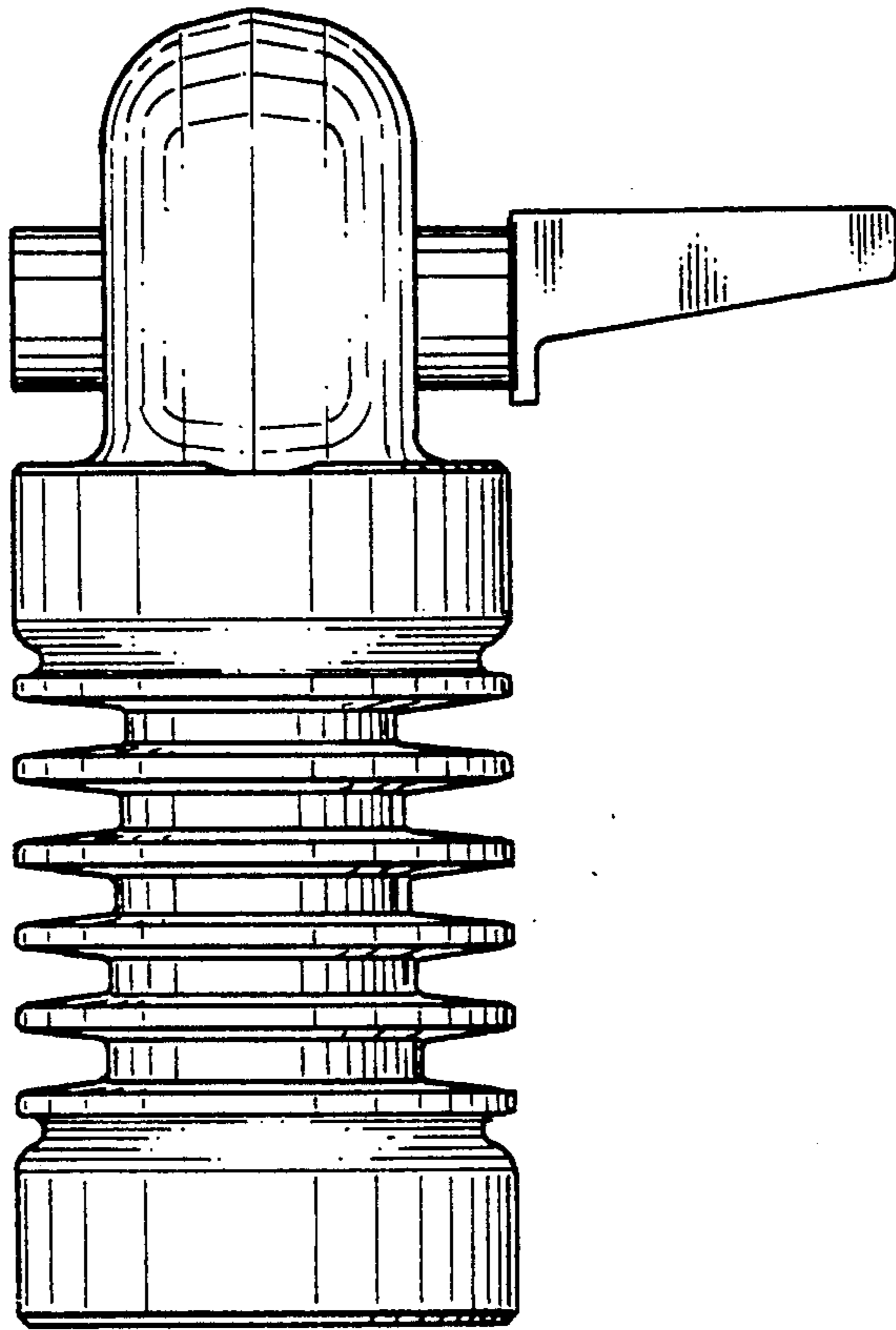


FIG. 4

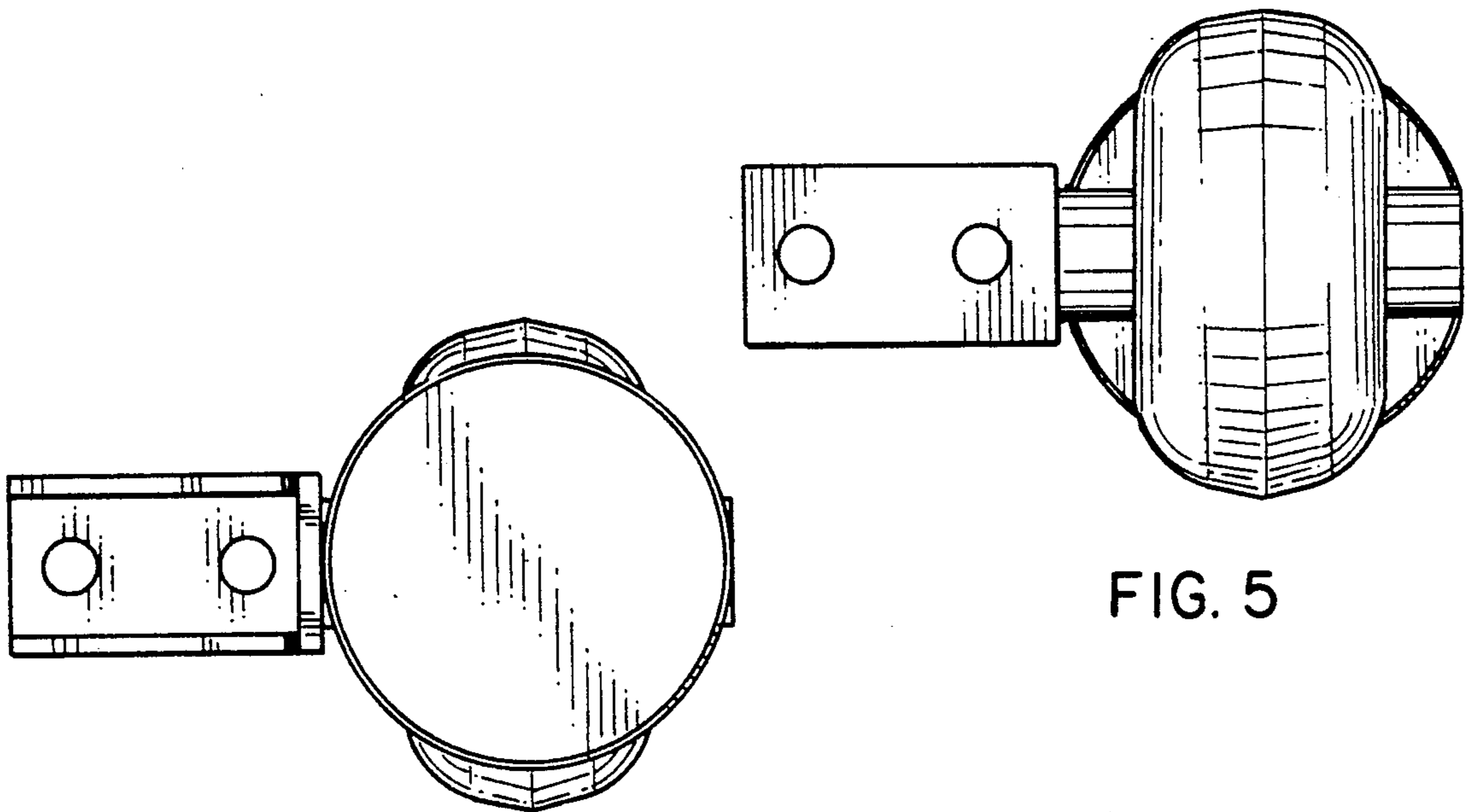


FIG. 5

FIG. 6