

United States Patent [19]

Arcouette

[11] Patent Number: **Des. 317,748**

[45] Date of Patent: **** Jun. 25, 1991**

[54] WATERCRAFT

4,727,821 3/1988 Masters D12/302

[76] Inventor: **Pierre Arcouette**, Route 243, R.R. 3,
Masonville, Canada, J0E 1X0

Primary Examiner—Kay H. Chin
Attorney, Agent, or Firm—Pierre Lesperance

[**] Term: **14 Years**

[57] **CLAIM**

[21] Appl. No.: **440,745**

The ornamental design for a watercraft, as shown and described.

[22] Filed: **Nov. 24, 1989**

[52] U.S. Cl. **D12/302**

[58] Field of Search **D12/300, 302; 114/347,**
114/348, 352, 351

DESCRIPTION

FIG. 1 is a top and front perspective view of a watercraft showing my new design;

FIG. 2 is a top plan view thereof;

FIG. 3 is a left side elevational view thereof;

FIG. 4 is a right side elevational view thereof;

FIG. 5 is a bottom plan view thereof;

FIG. 6 is a front elevational view thereof;

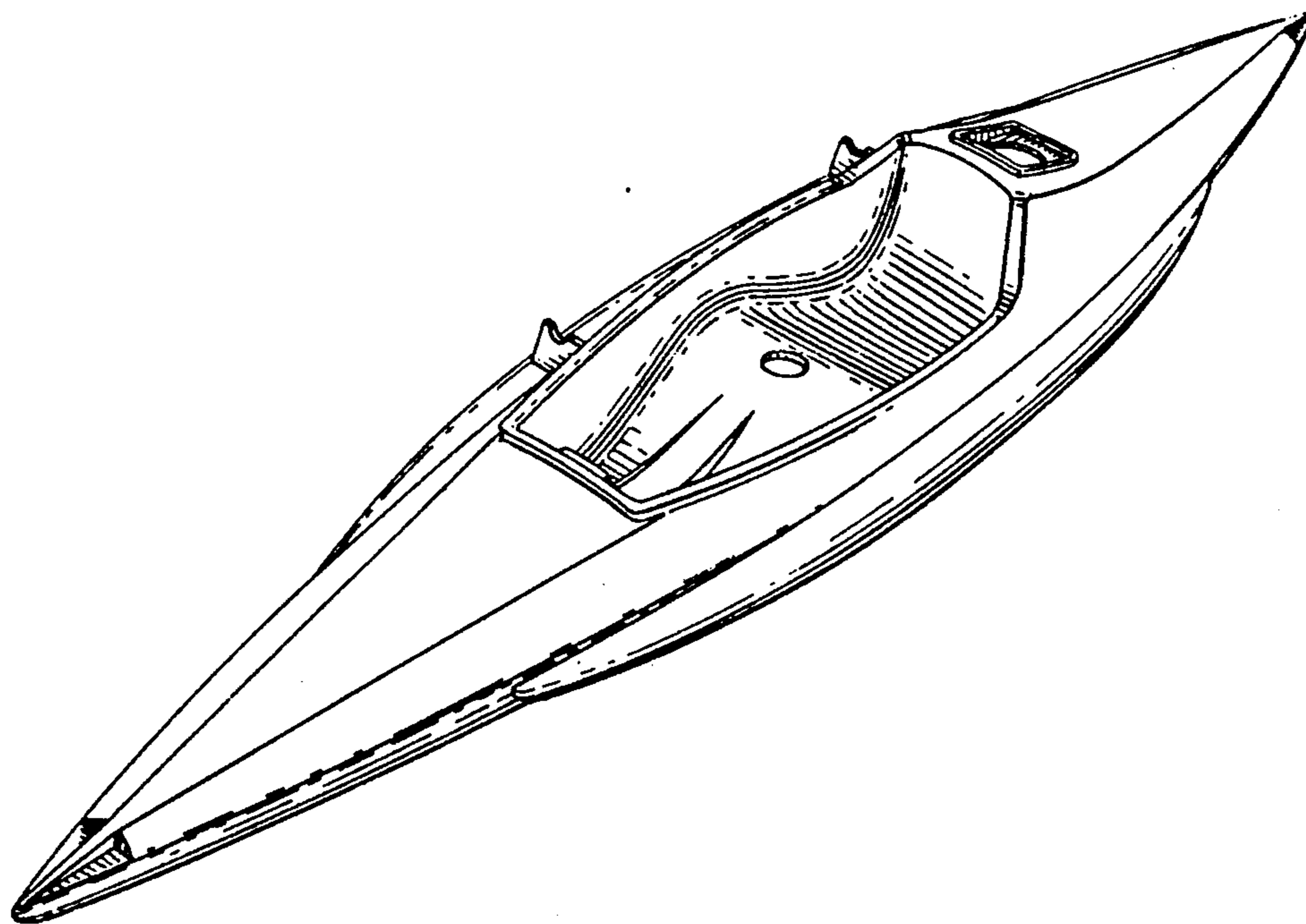
FIG. 7 is a rear elevational view thereof.

[56] **References Cited**

U.S. PATENT DOCUMENTS

D. 234,585 3/1975 Lacasse D12/302

D. 264,327 5/1982 King, Jr. D12/300



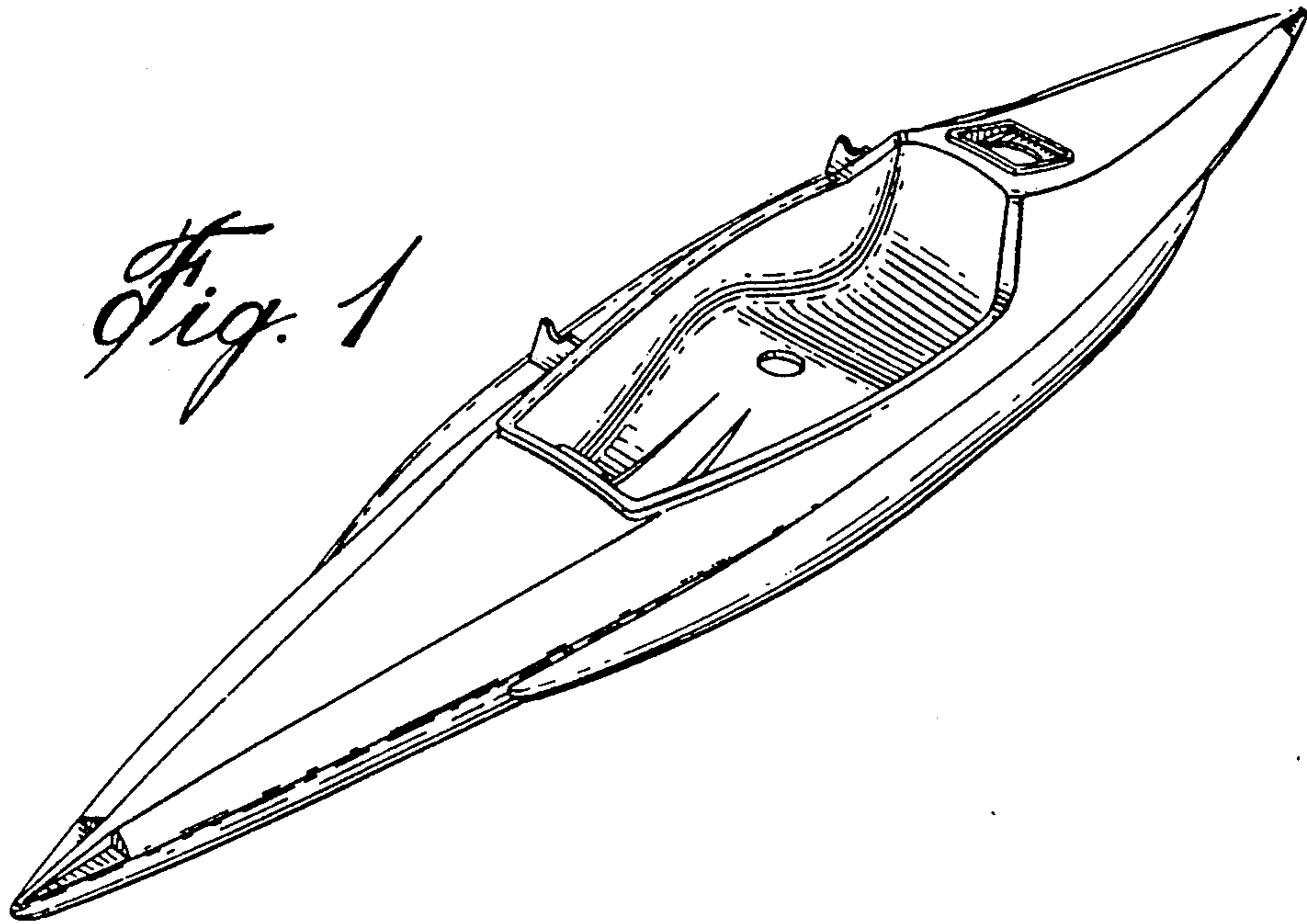


Fig. 1

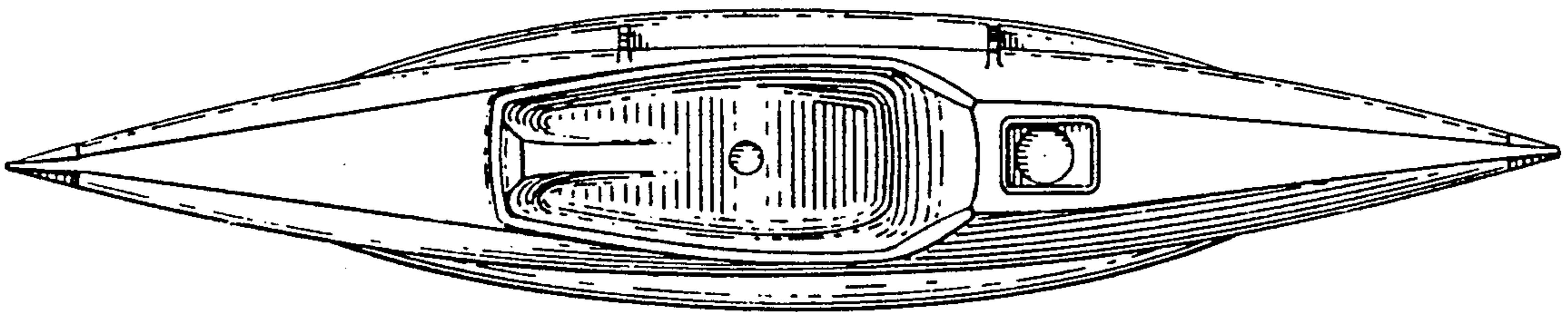


Fig. 2

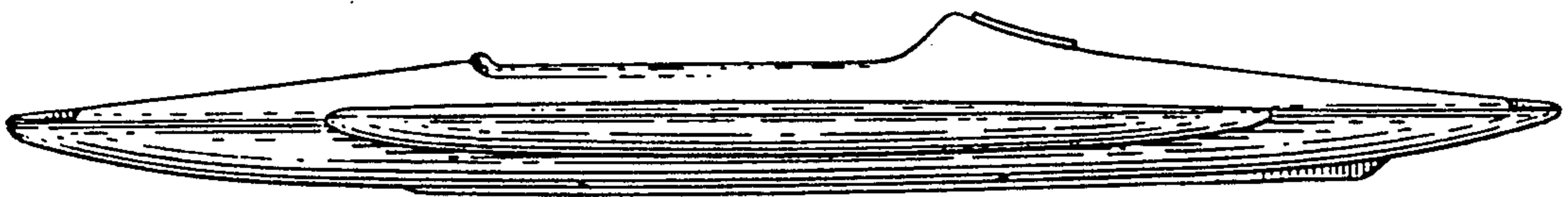


Fig. 3

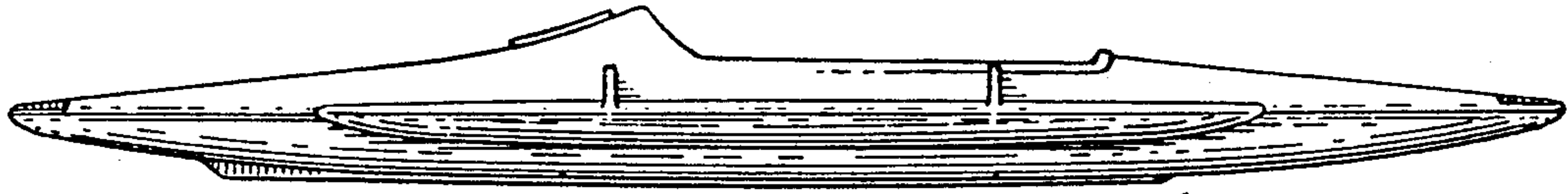


Fig. 4

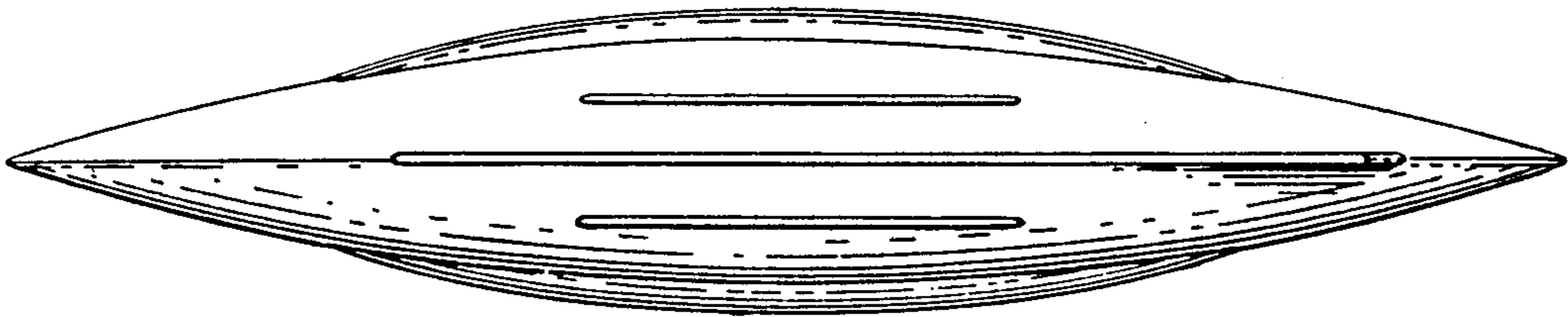


Fig. 5

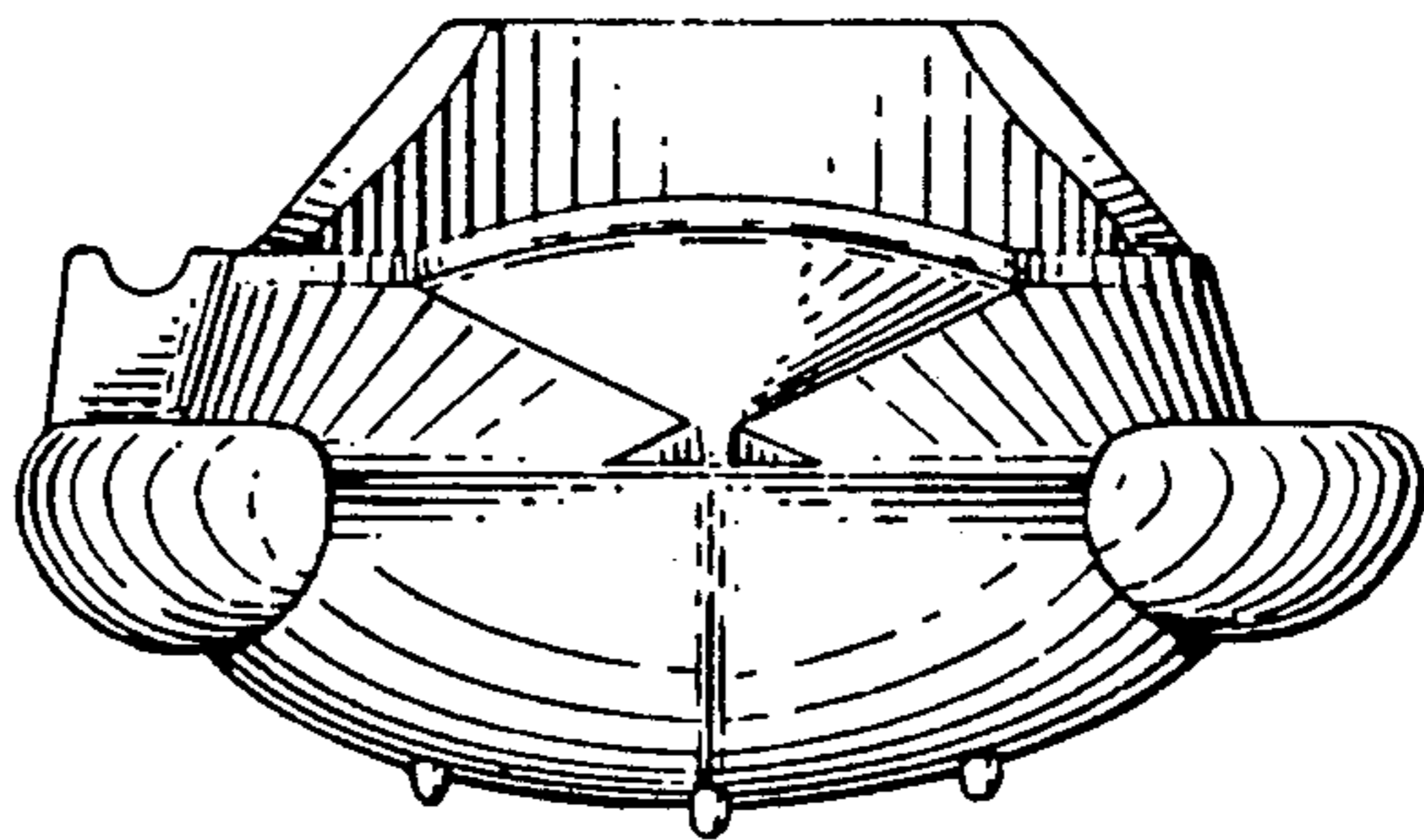


Fig. 6

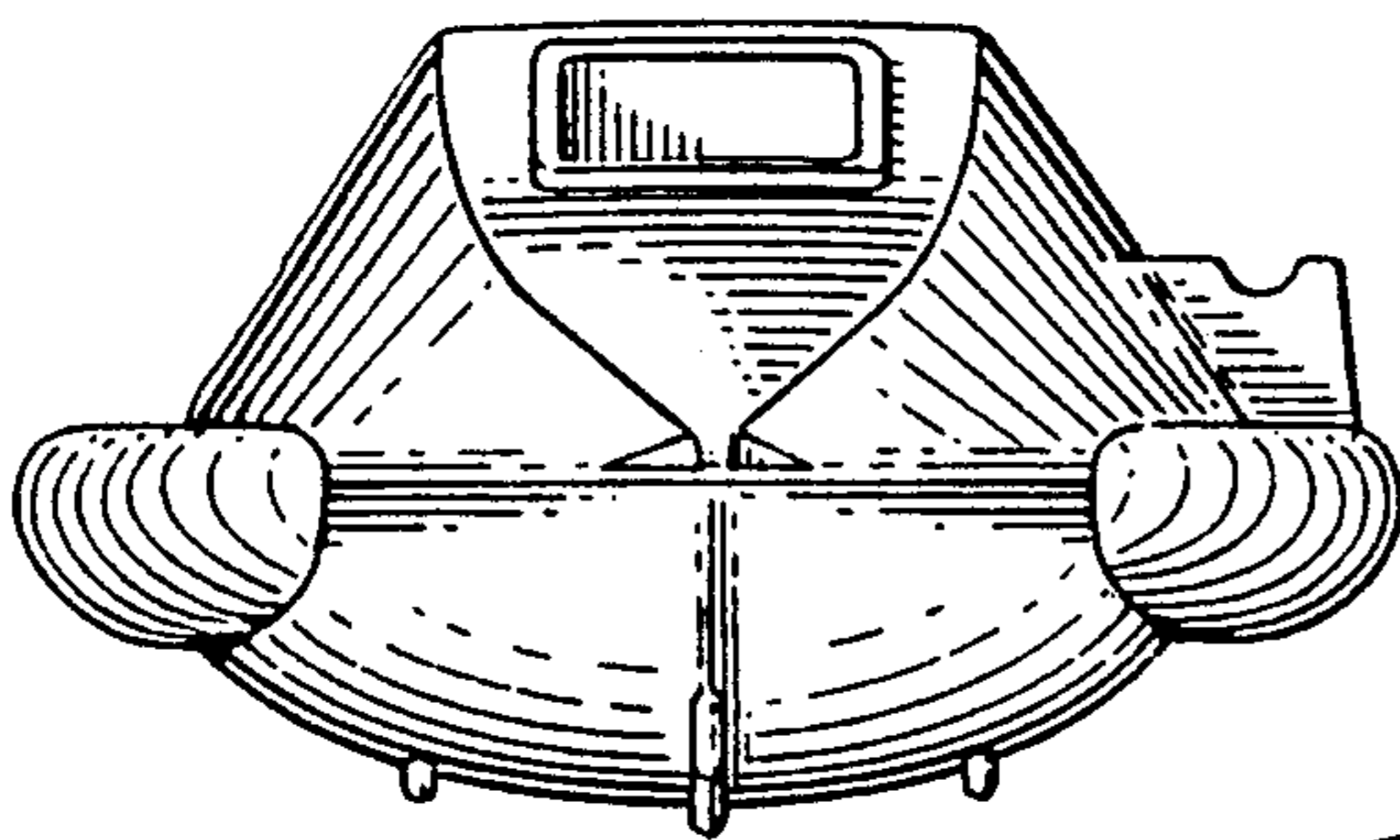


Fig. 7