

[54] PORTABLE ELECTRONIC COUNTER

[76] Inventor: Richard N. Sutton, 10 Angel Hill Drive, Sutton SM1 3BX, Great Britain

[**] Term: 14 Years

[21] Appl. No.: 253,738

[22] Filed: Oct. 5, 1988

[30] Foreign Application Priority Data

Apr. 5, 1988 [GB] United Kingdom 1049699
[52] U.S. Cl. D10/97
[58] Field of Search D10/96, 97; 221/2; 235/98 R, 98 A, 98 B, 98 C, 117 R, 117 A, 118

[56] References Cited

U.S. PATENT DOCUMENTS

D. 253,812 1/1980 Novak D10/97
2,148,768 2/1939 Miller 235/117 R
2,656,063 10/1953 Kafka 235/98 R X

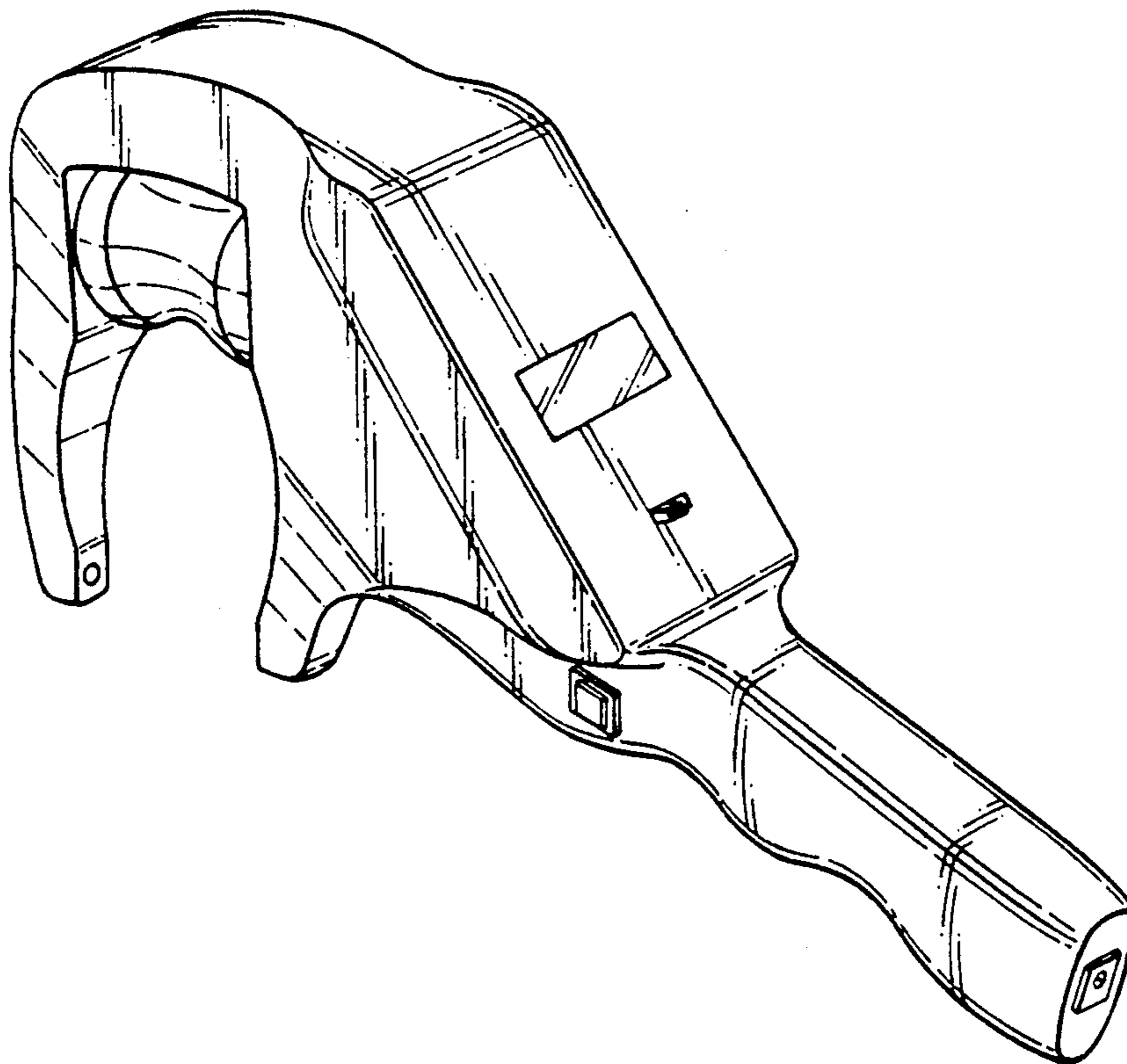
Primary Examiner—Nelson C. Holtje
Assistant Examiner—Antoine D. Davis

[57] CLAIM

The ornamental design for a portable electronic counter, as shown and described.

DESCRIPTION

FIG. 1 is a right side elevational view of a portable electronic counter showing my new design; FIG. 2 is a top, rear and right side perspective view; FIG. 3 is a bottom, front and right side perspective view; FIG. 4 is a left side elevational view; and FIG. 5 is a bottom plan view thereof.



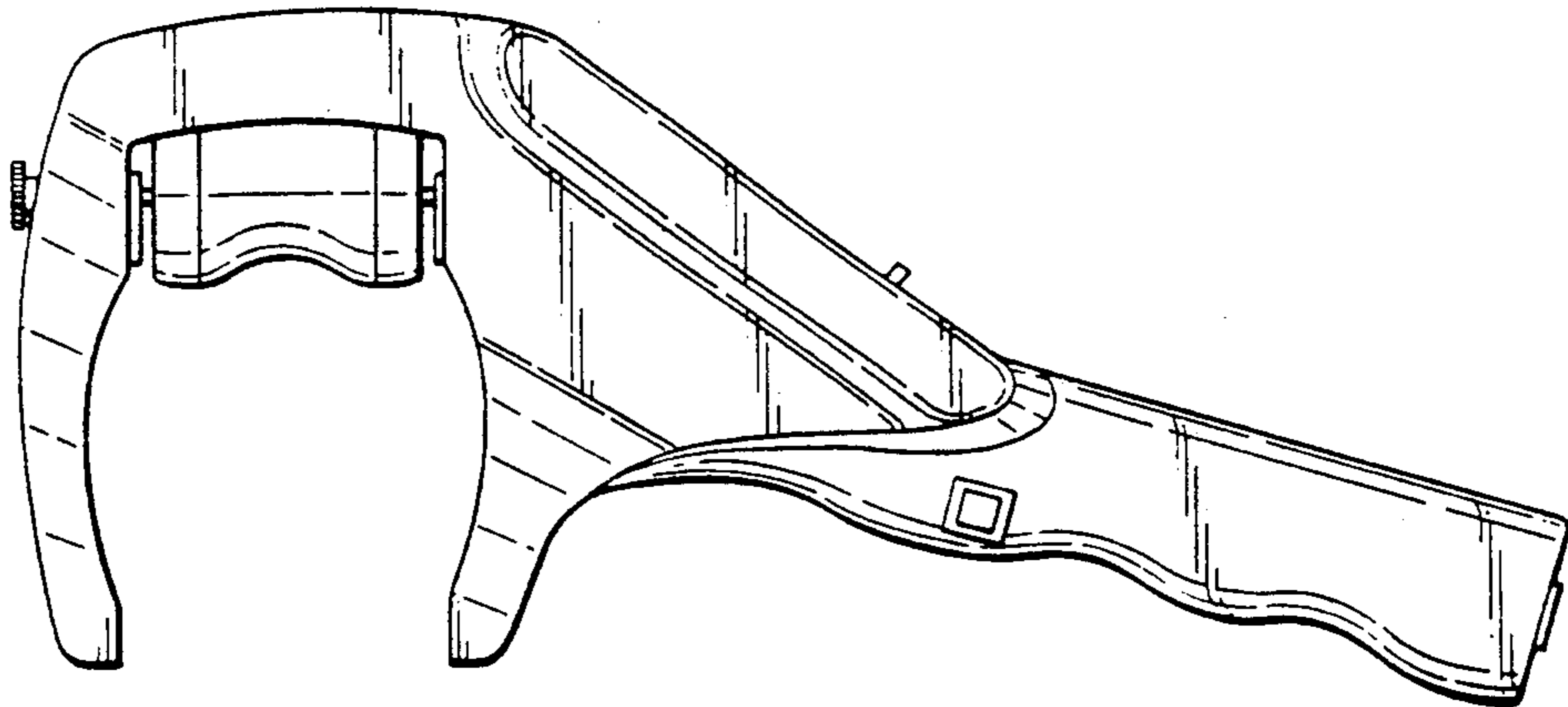


FIG. 1

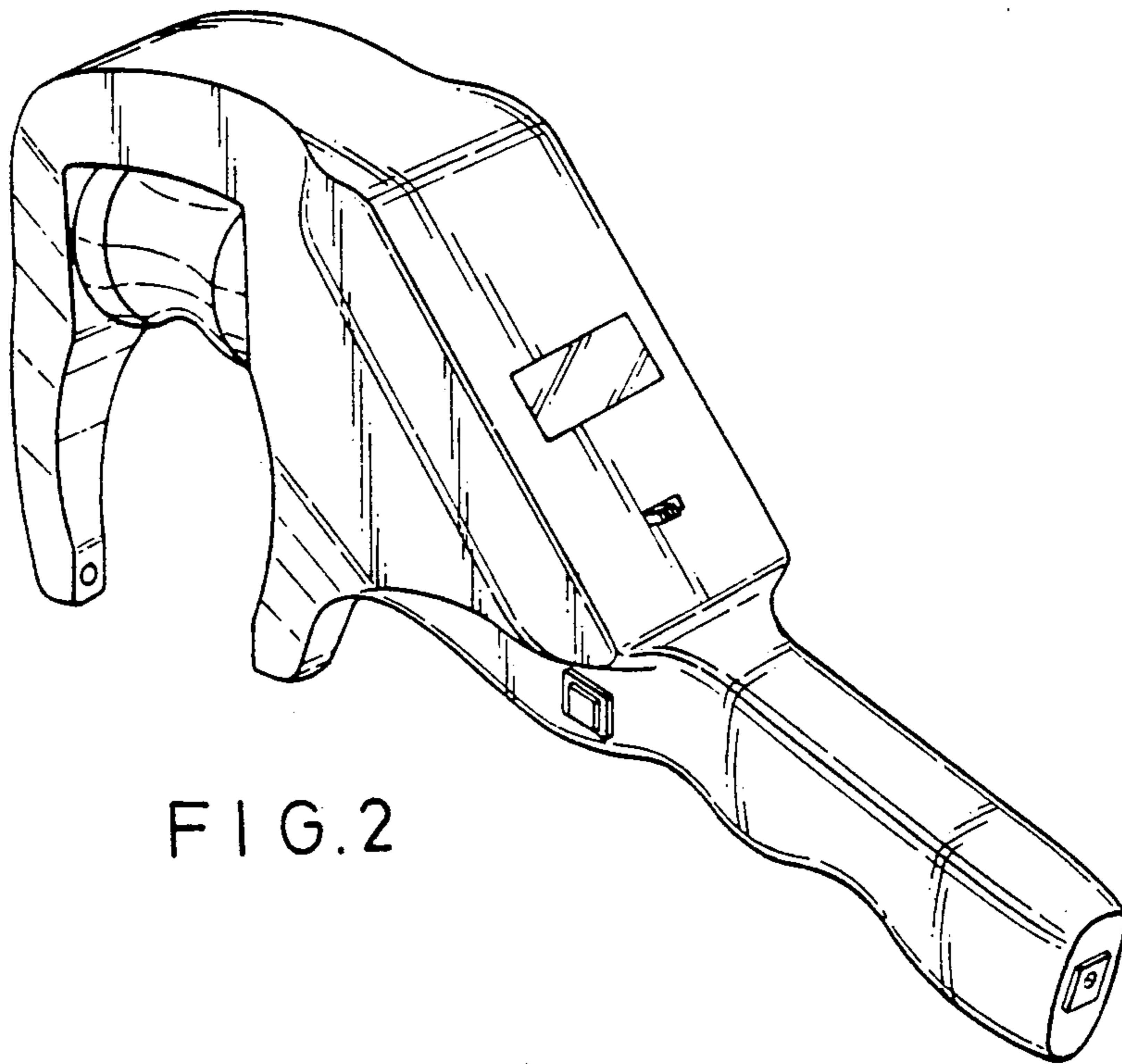


FIG. 2

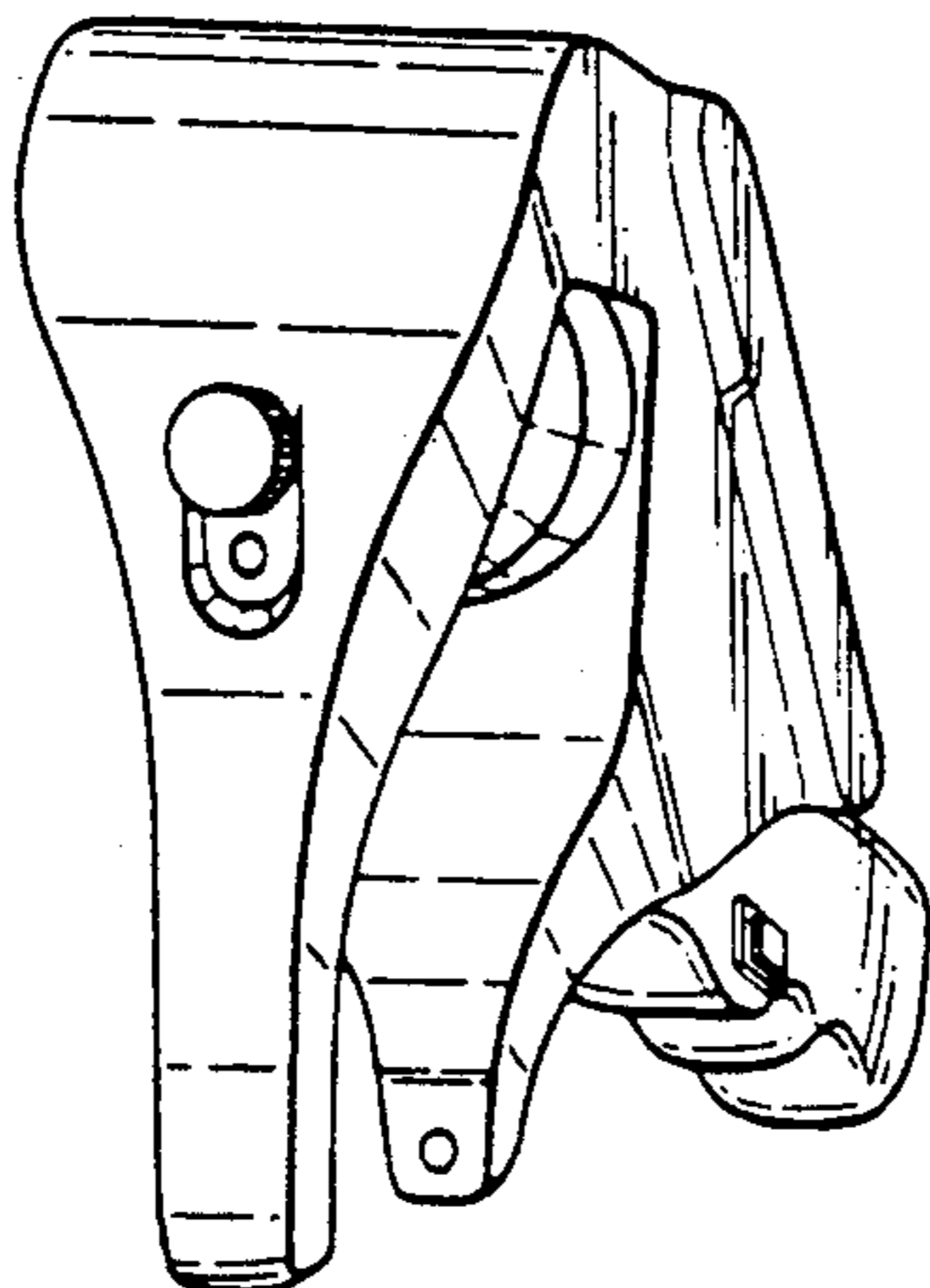


FIG. 3

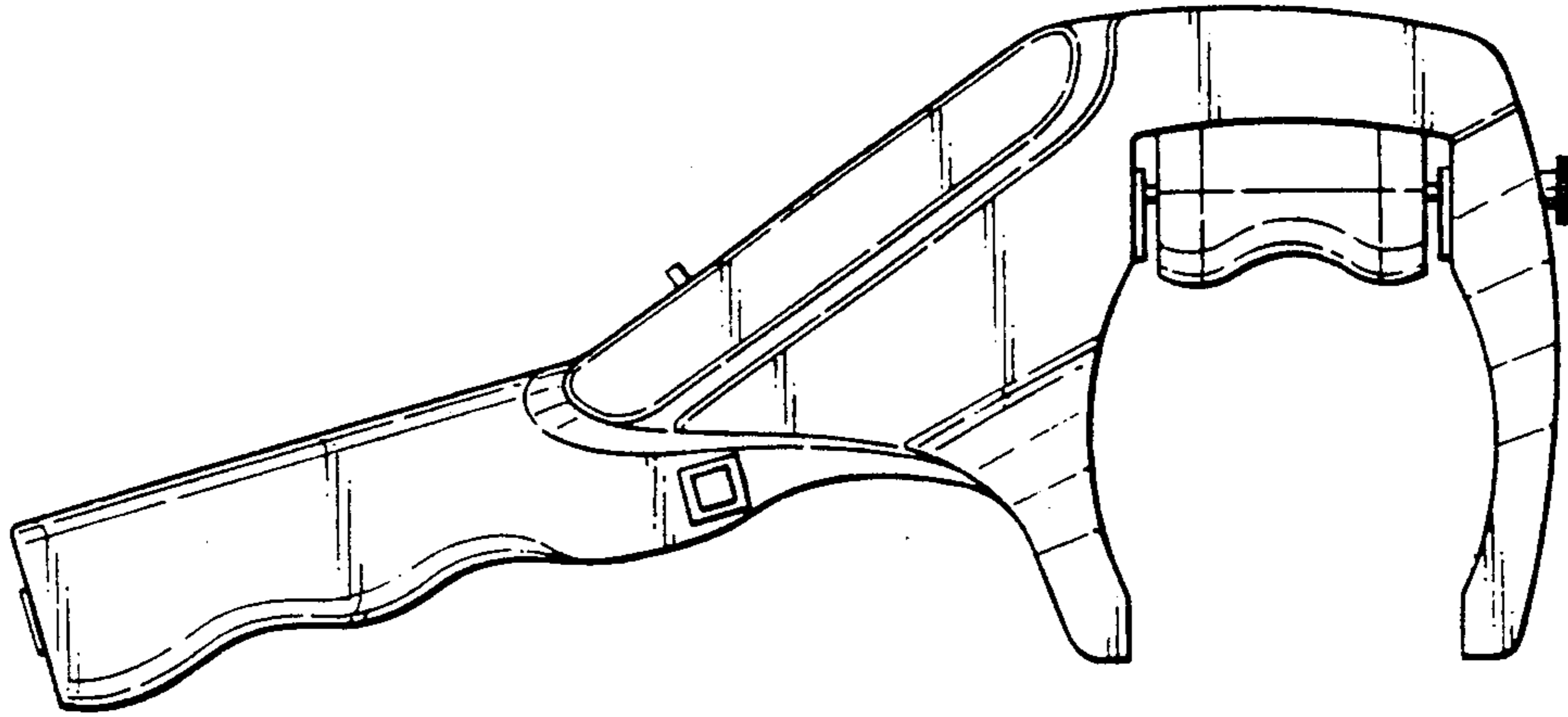


FIG. 4

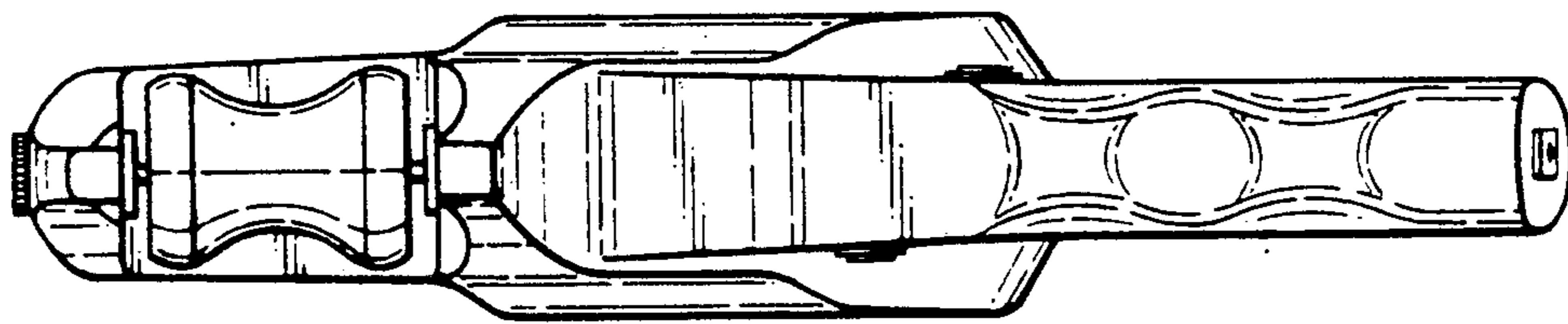


FIG. 5