

United States Patent [19]

Fiorillo et al.

[11] Patent Number: **Des. 317,721**

[45] Date of Patent: **** Jun. 25, 1991**

[54] **BOX**
[75] Inventors: **Appio Fiorillo; Wally Petrac**, both of Toronto, Canada

[73] Assignee: **Paperboard Industries Corporation**, Mississauga, Canada

[**] Term: **14 Years**

[21] Appl. No.: **351,552**

[22] Filed: **May 12, 1989**

[52] U.S. Cl. **D9/430**

[58] Field of Search **D9/430, 433, 418, 337, D9/456, 414; 229/115, 117.05, 120, 108, DIG. 14; 206/216, 551**

[56] **References Cited**

U.S. PATENT DOCUMENTS

1,716,975 6/1929 Phillips 229/115
1,814,561 7/1931 Krumm 229/115
2,220,110 11/1940 Layton 229/115

4,082,215 4/1978 Eichenauer 229/120
4,105,155 8/1978 Forbes, Jr. 229/120
4,798,323 1/1989 Platt 229/115
4,863,021 9/1989 Crittenden 229/115 X

Primary Examiner—Bernard Ansher
Assistant Examiner—Prabhakar Deshmukh

[57] **CLAIM**

The ornamental design for the box, as shown and described.

DESCRIPTION

FIG. 1 is a top perspective view of a box showing our new design;
FIG. 2 is a top plan view thereof;
FIG. 3 is a bottom plan view thereof;
FIG. 4 is a rear elevation thereof;
FIG. 5 is a front elevation thereof;
FIG. 6 is a left side elevation thereof;
The right side elevation being a mirror image thereof.
The dash lines represent fold lines.

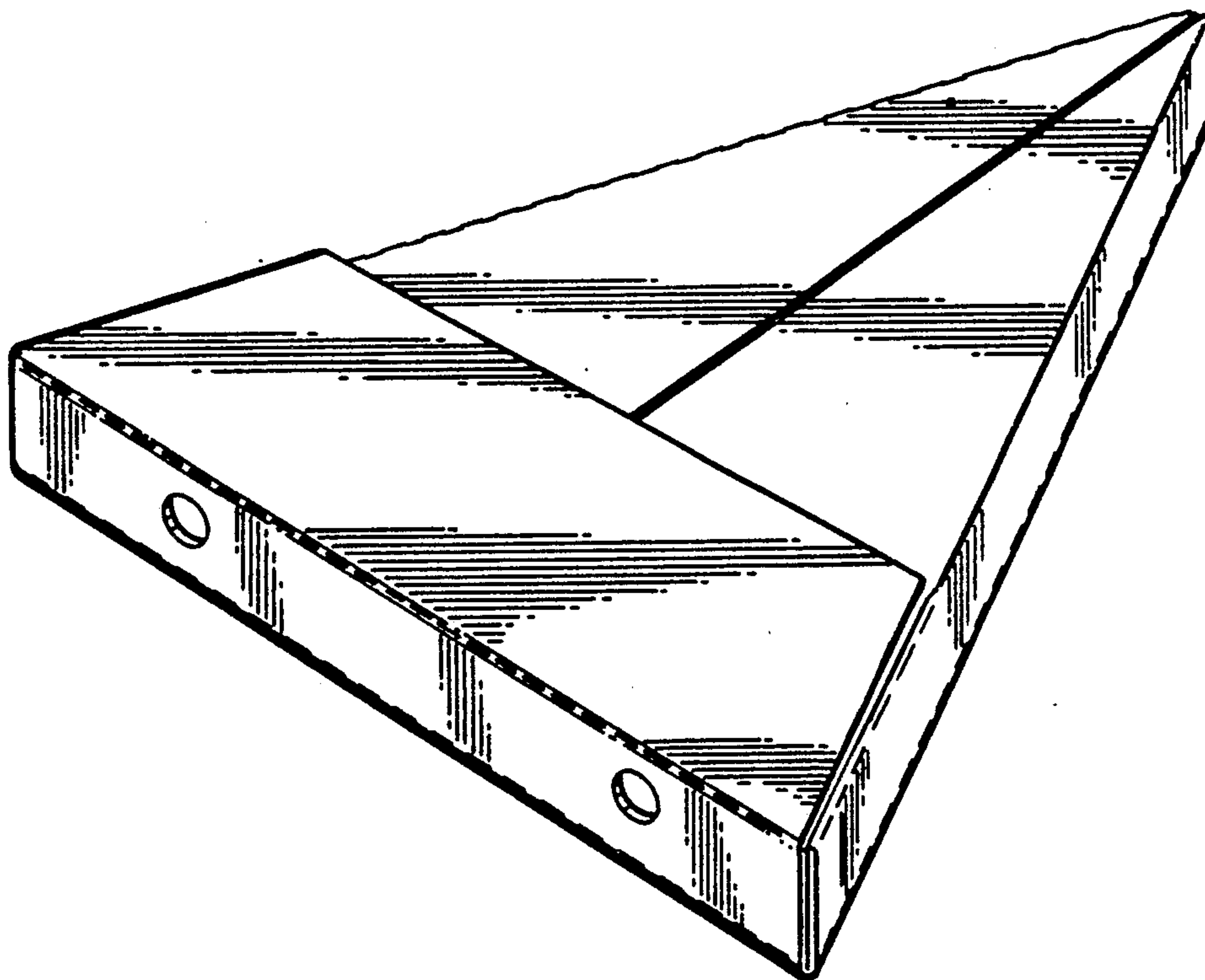


FIG. 1.

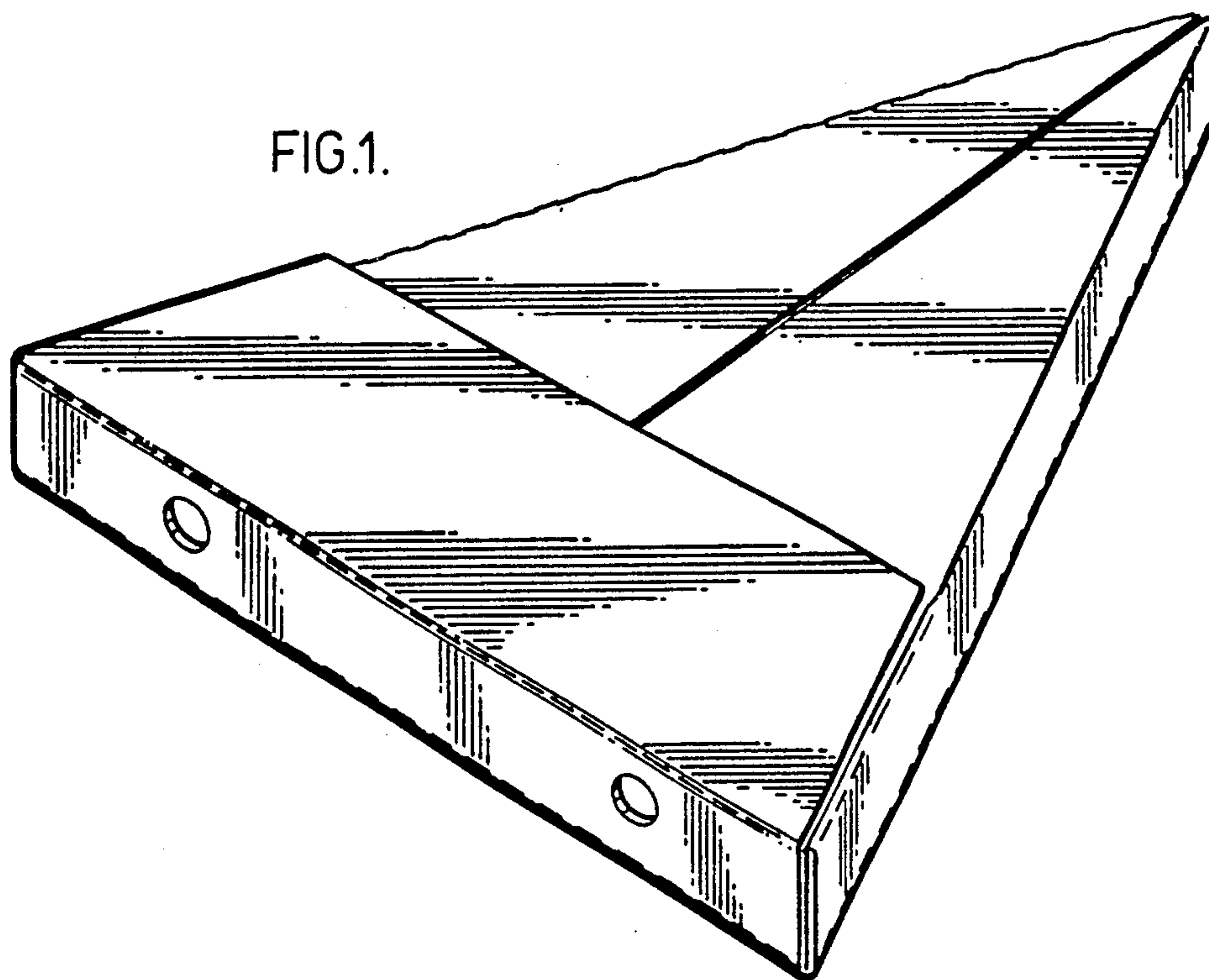


FIG. 2.

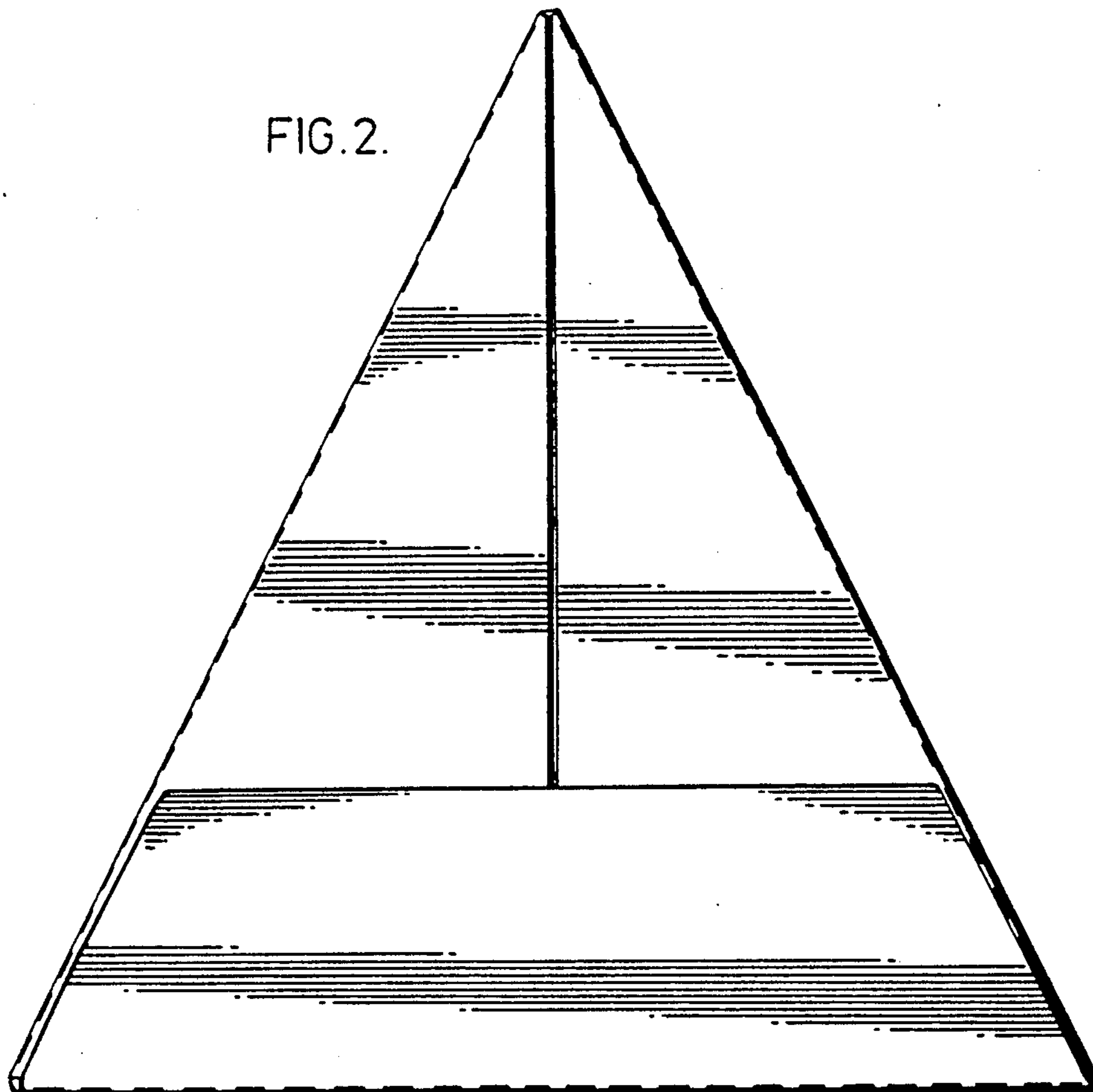


FIG. 3.

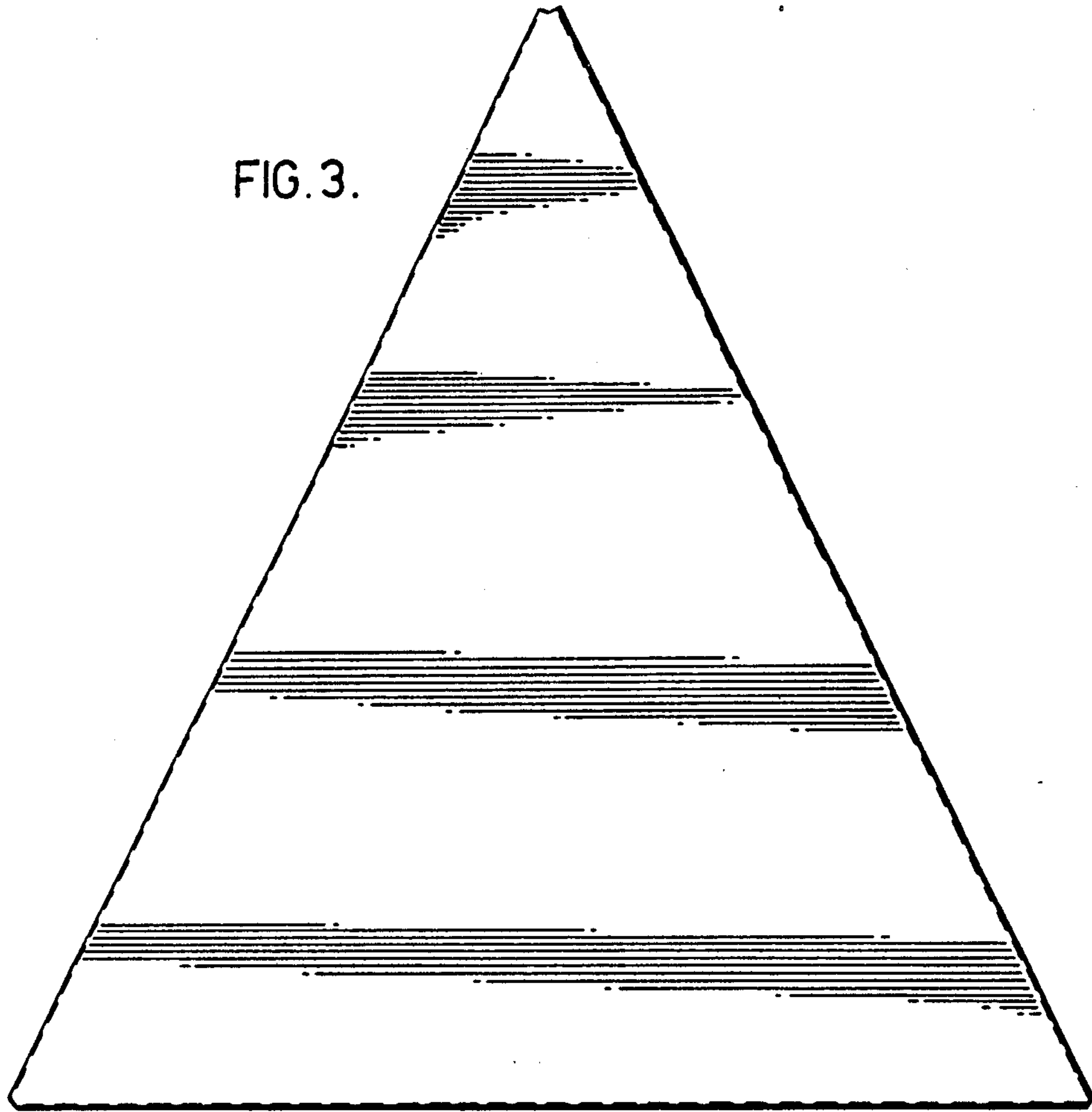


FIG. 4.



FIG. 5.



FIG. 6.

