

- [54] **COMBINED NAIL POLISH CONTAINERS AND PACKAGE THEREFOR**
- [76] **Inventor: Joyce Carol, 278 Leucadia Rd., La Habra Heights, Calif. 90631**
- [*] **Notice: The portion of the term of this patent subsequent to Jun. 25, 2005 has been disclaimed.**
- [**] **Term: 14 Years**
- [21] **Appl. No.: 268,850**
- [22] **Filed: Nov. 9, 1988**
- [52] **U.S. Cl. D9/341; D9/418; D9/432**
- [58] **Field of Search D9/341-348, D9/369, 386, 401, 418, 337, 432; 206/45.31, 45.33, 216, 77, 581, 429**

- D. 274,752 7/1984 Byrne D9/341 X
 D. 275,651 9/1984 Chajet D9/386
 D. 287,821 1/1987 Holewinski et al. D9/341
 D. 297,710 9/1988 Scherer D9/369
 3,425,542 2/1969 Bolen D9/345 X
 4,422,545 4/1989 Kadoory 206/581 X
 4,823,960 4/1989 Perlberg et al. 220/82 R X

OTHER PUBLICATIONS

Hammacher Schlemmer Cat., 5/1950, p. 38, item No. 383, middle left of the page.
 Beauty & Fashion, 3/1982, p. 61.
 D & C1, Nov. 1978, p. 86, Square bottle, top of the page.

Primary Examiner—Bernard Ansher
Assistant Examiner—Prabhakar Deshmukh
Attorney, Agent, or Firm—Larson & Taylor

[57] **CLAIM**

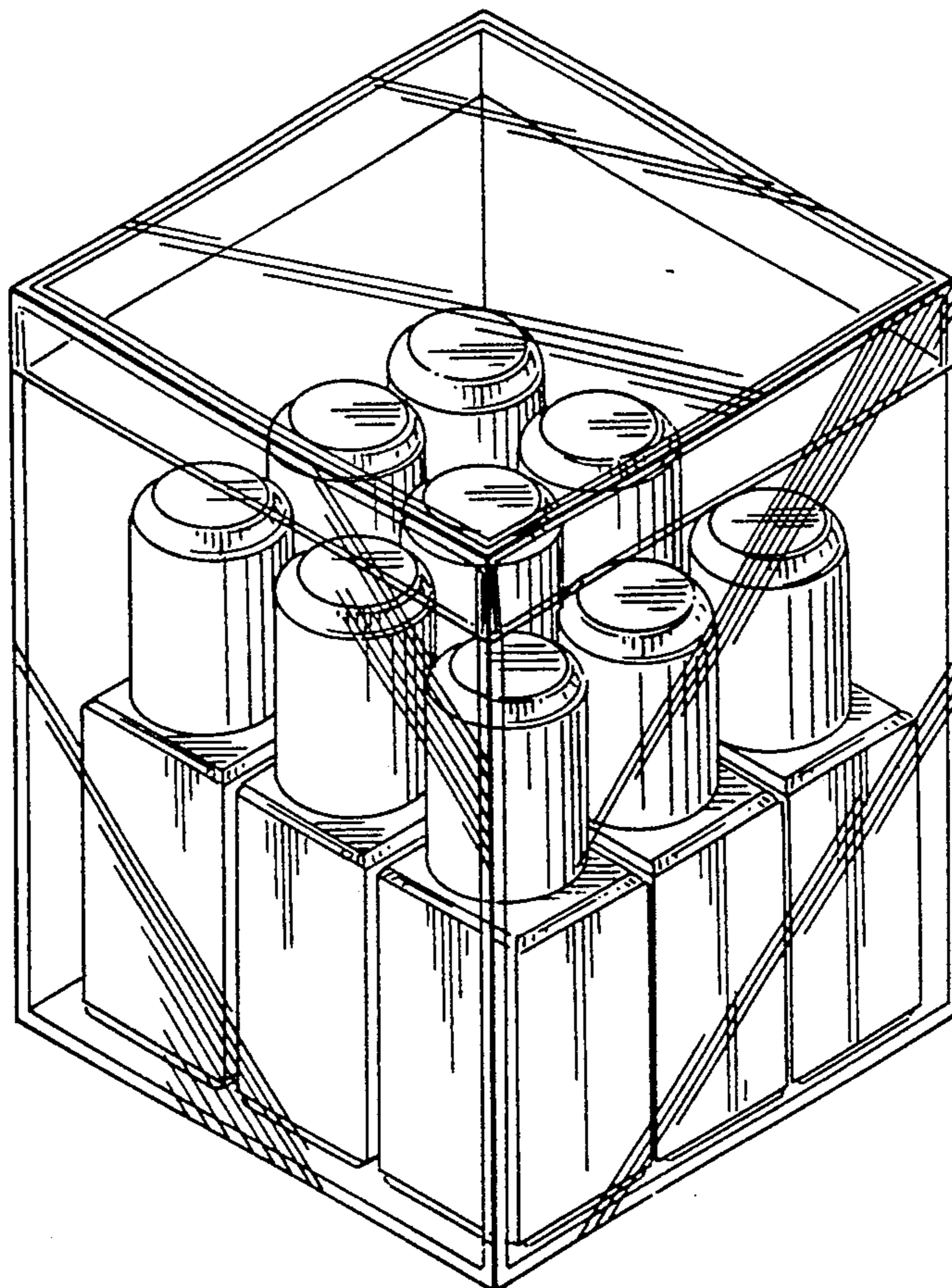
The ornamental design for combined nail polish containers and package therefor, as shown and described.

DESCRIPTION

FIG. 1 is a perspective view of combined nail polish containers and package therefor showing my new design;
 FIG. 2 is a typical side elevation thereof;
 FIG. 3 is a top plan view thereof; and
 FIG. 4 is a bottom plan view thereof.

[56] **References Cited**
U.S. PATENT DOCUMENTS

- D. 116,240 8/1939 Petzold D9/341
 D. 120,125 4/1940 Korda D9/341
 D. 157,468 2/1950 Burger D26/111
 D. 215,648 10/1969 Vignelli D9/341
 D. 220,994 6/1971 Doblin D9/369
 D. 229,394 11/1973 Givenchy D9/369
 D. 244,085 4/1977 Gidding et al. D9/432
 D. 273,987 5/1984 Holeneta D9/423 X



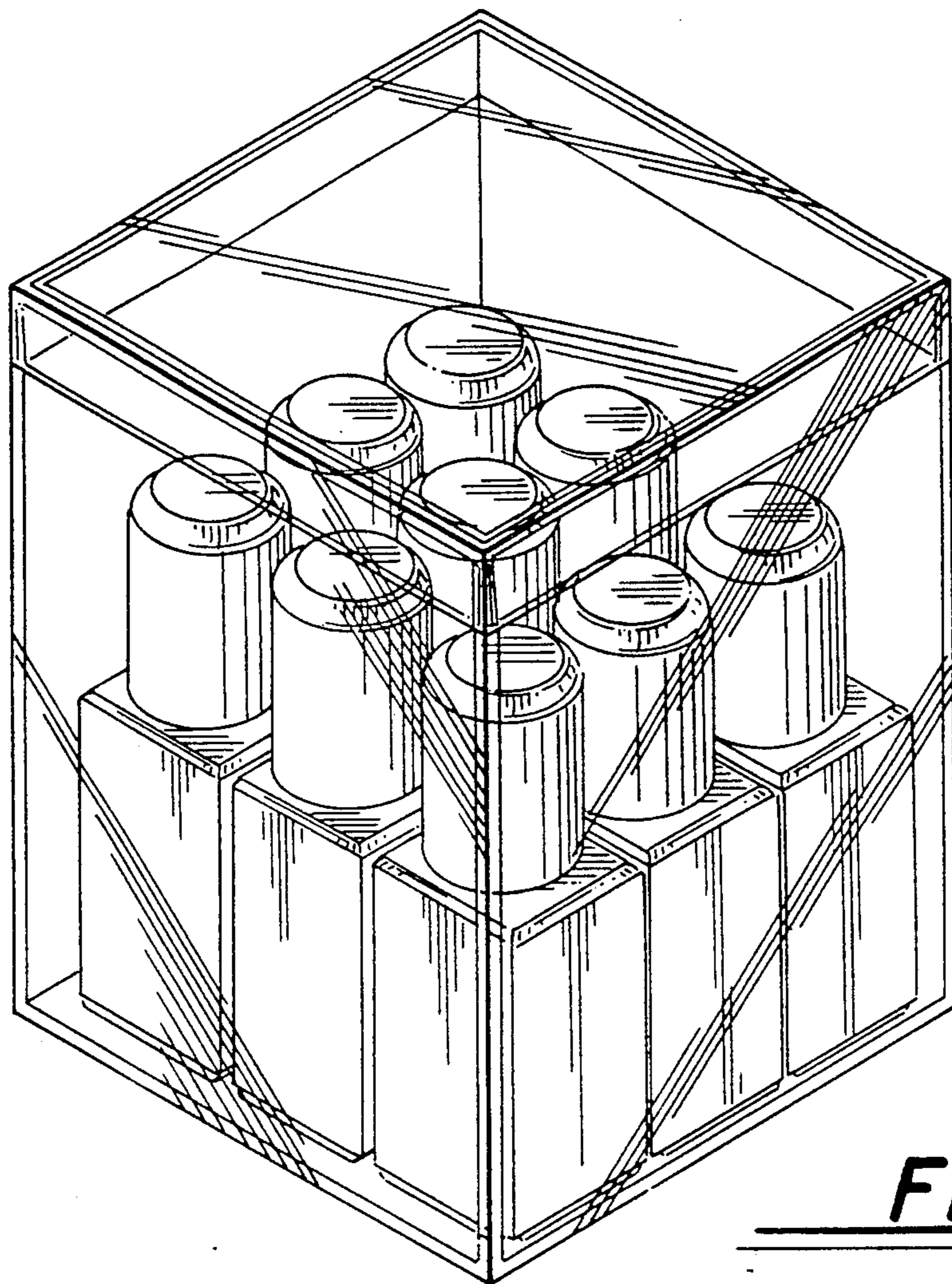


Fig. 1

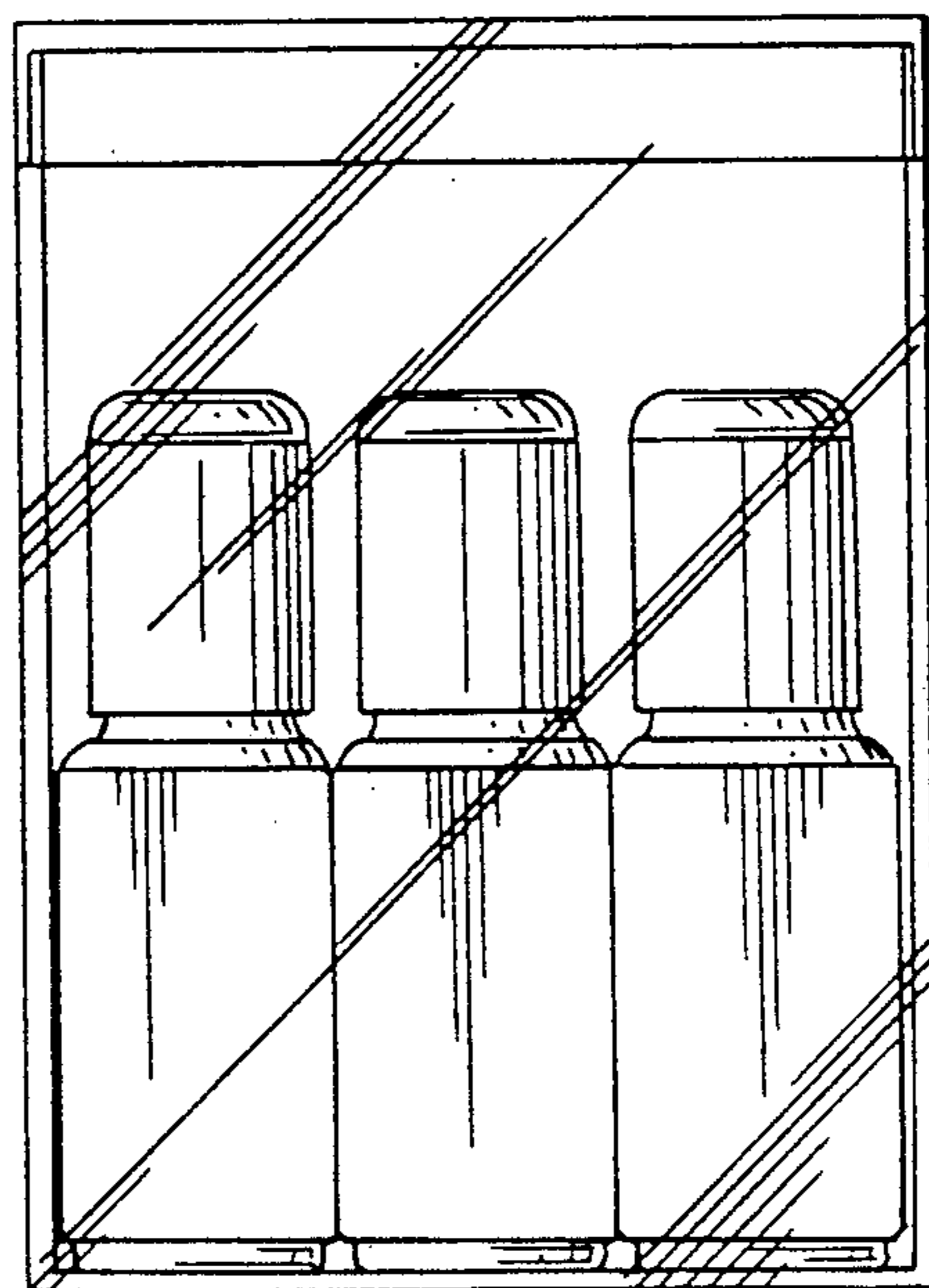


Fig. 2

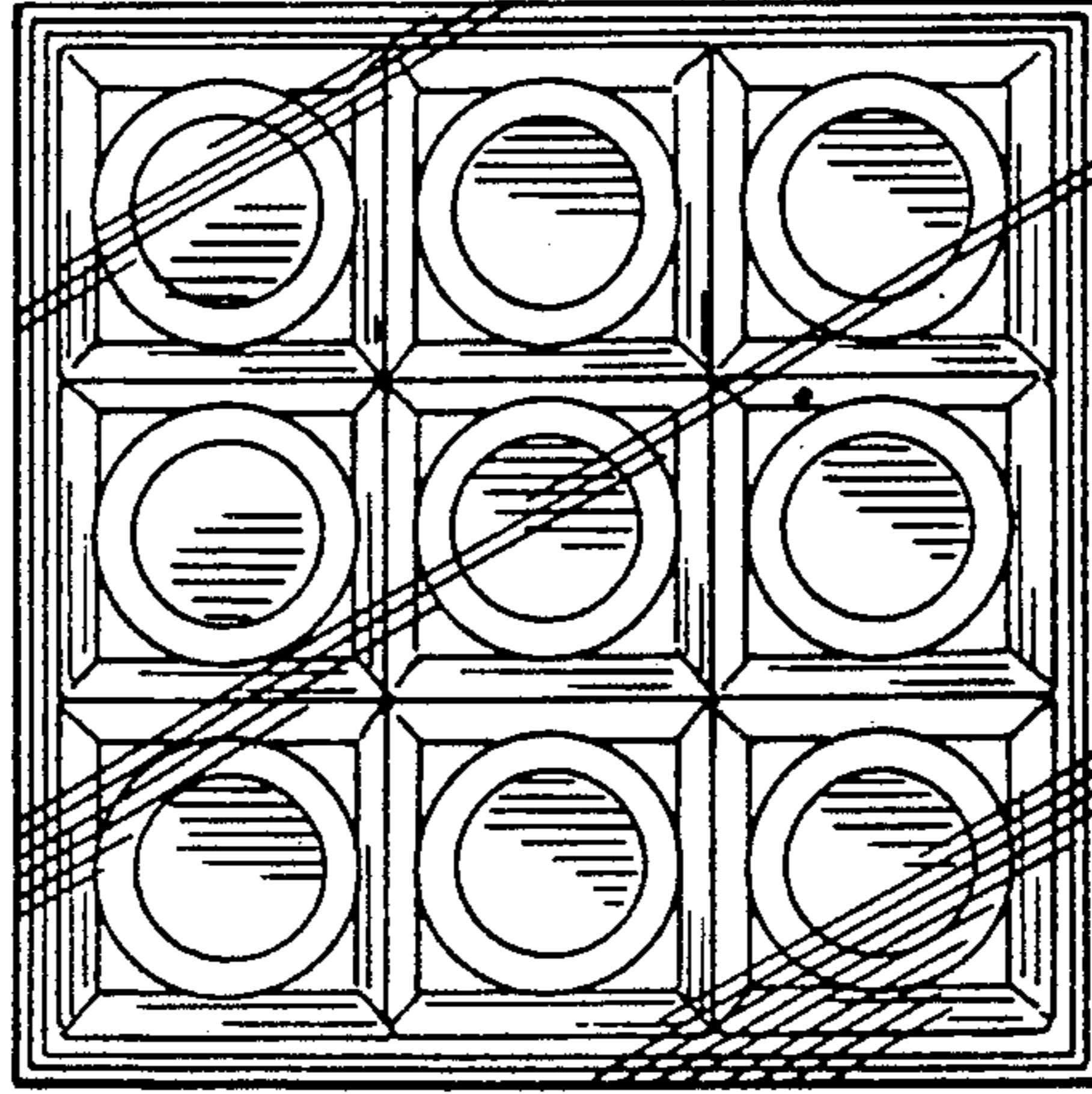


Fig. 3

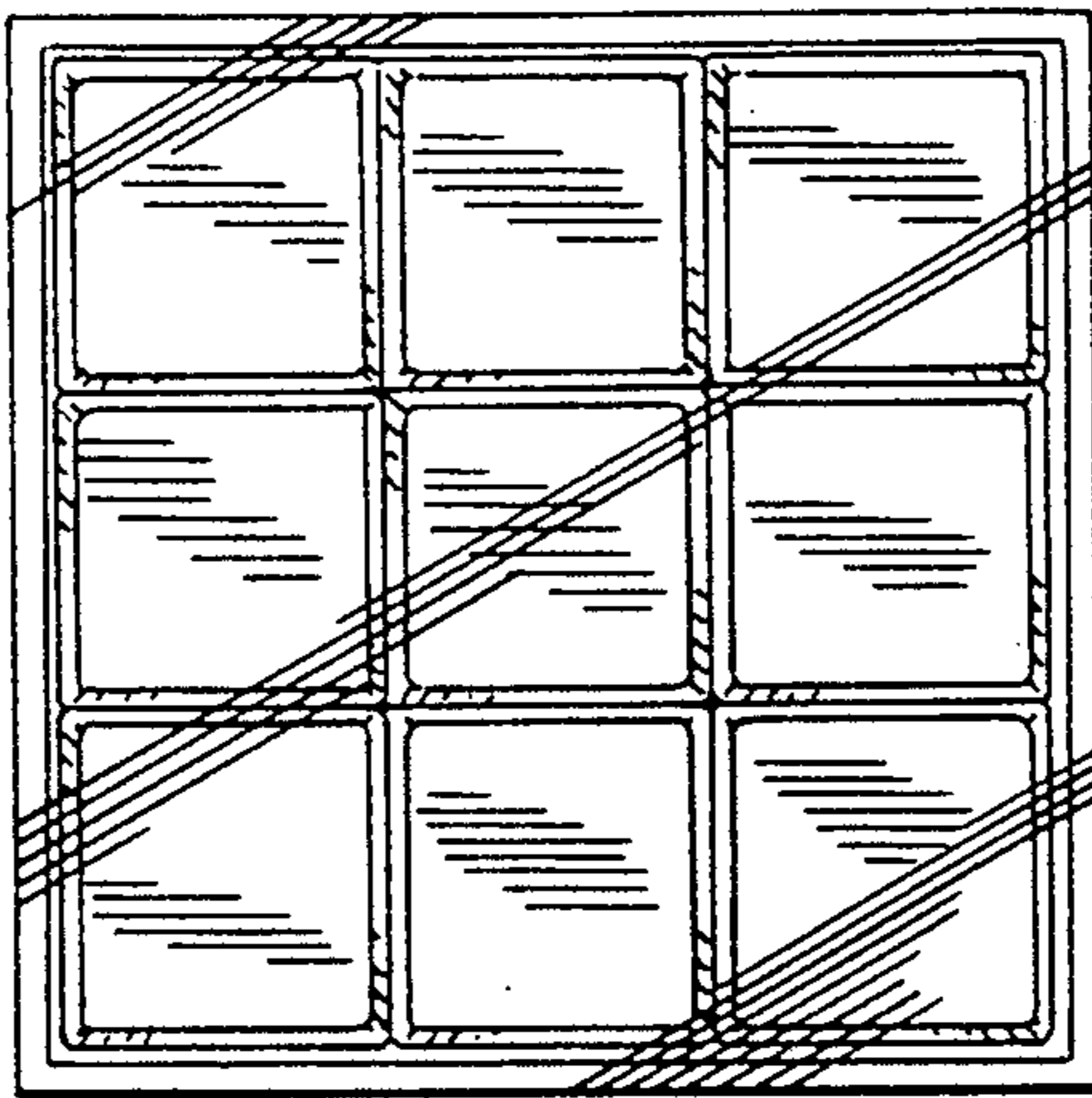


Fig. 4