

[54] **COMBINED NAIL POLISH CONTAINERS AND PACKAGE THEREFOR**

[76] **Inventor:** Joyce Carol, 278 Leucadia Rd., La Habra Heights, Calif. 90631

[*] **Notice:** The portion of the term of this patent subsequent to Jun. 25, 2005 has been disclaimed.

[**] **Term:** 14 Years

[21] **Appl. No.:** 268,845

[22] **Filed:** Nov. 9, 1988

[52] **U.S. Cl.** D9/341; D9/418; D9/432

[58] **Field of Search** D9/341-348, D9/369, 386, 401, 337, 432, 418; 206/45.31, 45.33, 216, 37, 381, 429

[56] **References Cited**

U.S. PATENT DOCUMENTS

D. 116,240	8/1939	Petzold	D9/341
D. 120,125	4/1940	Korda	D9/341
D. 157,468	2/1950	Burger	D26/111
D. 215,648	10/1969	Vignelli	D9/341
D. 220,994	6/1971	Doblin	D9/369
D. 229,394	11/1973	Givenchy	D9/369
D. 244,085	4/1977	Gidding et al.	D9/432

D. 273,987	5/1984	Holeneta	D9/423 X
D. 274,752	7/1984	Byrne	D9/341 X
D. 275,651	9/1984	Chajet	D9/386
D. 287,821	11/1987	Holewinski et al.	D9/341
D. 297,710	9/1988	Scherer	D9/369
3,425,542	2/1969	Bolen	D9/345 X
4,422,545	4/1989	Kadoory	206/581 X
4,823,960	4/1989	Perlberg et al.	220/82 R X

OTHER PUBLICATIONS

Hammacher Schlemmer Cat., 5/1950, p. 38, item No. 383, middle left of the page.
 Beauty and Fashion, 3/1982, p. 61.
 D & C1, Nov. 1978, p. 86, square bottle, top of the page.

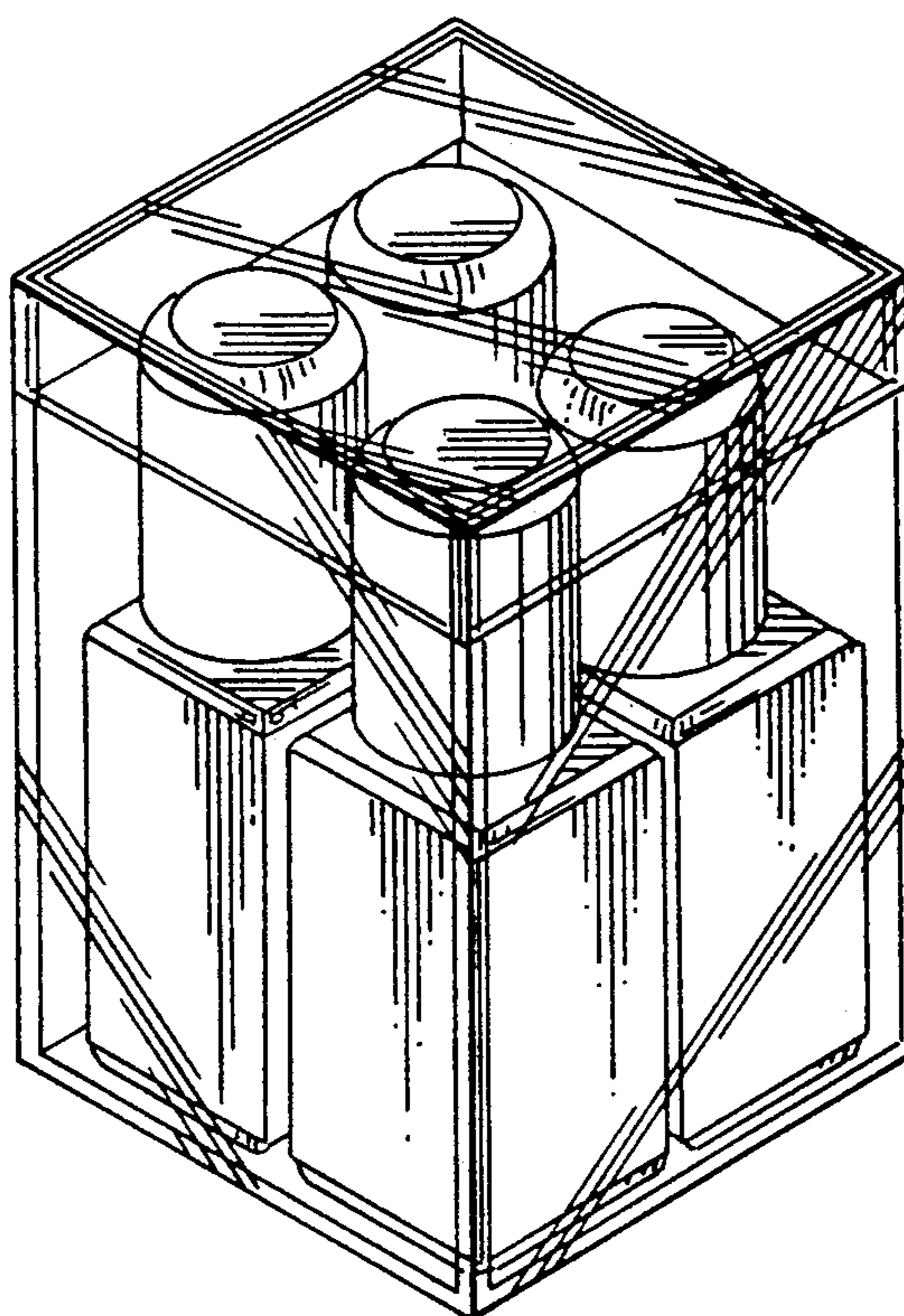
Primary Examiner—Bernard Ansher
Assistant Examiner—Prabhakar Deshmukh
Attorney, Agent, or Firm—Larson & Taylor

[57] **CLAIM**

The ornamental design for combined nail polish containers and package therefor, as shown and described.

DESCRIPTION

FIG. 1 is a perspective view of combined nail polish containers and package therefor showing my new design;
 FIG. 2 is a typical side elevation thereof;
 FIG. 3 is a top plan view thereof; and
 FIG. 4 is a bottom plan view thereof.



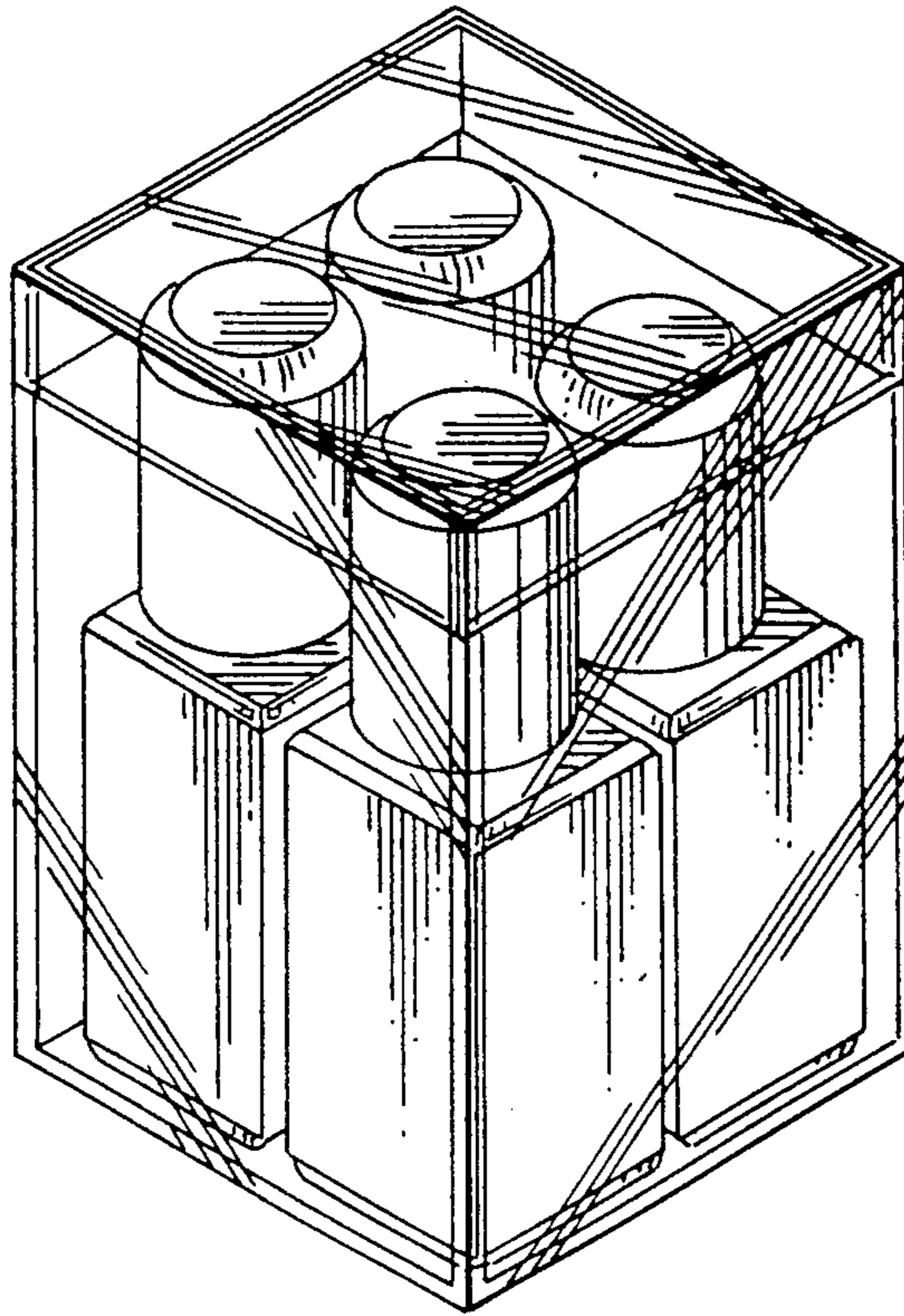


Fig. 1

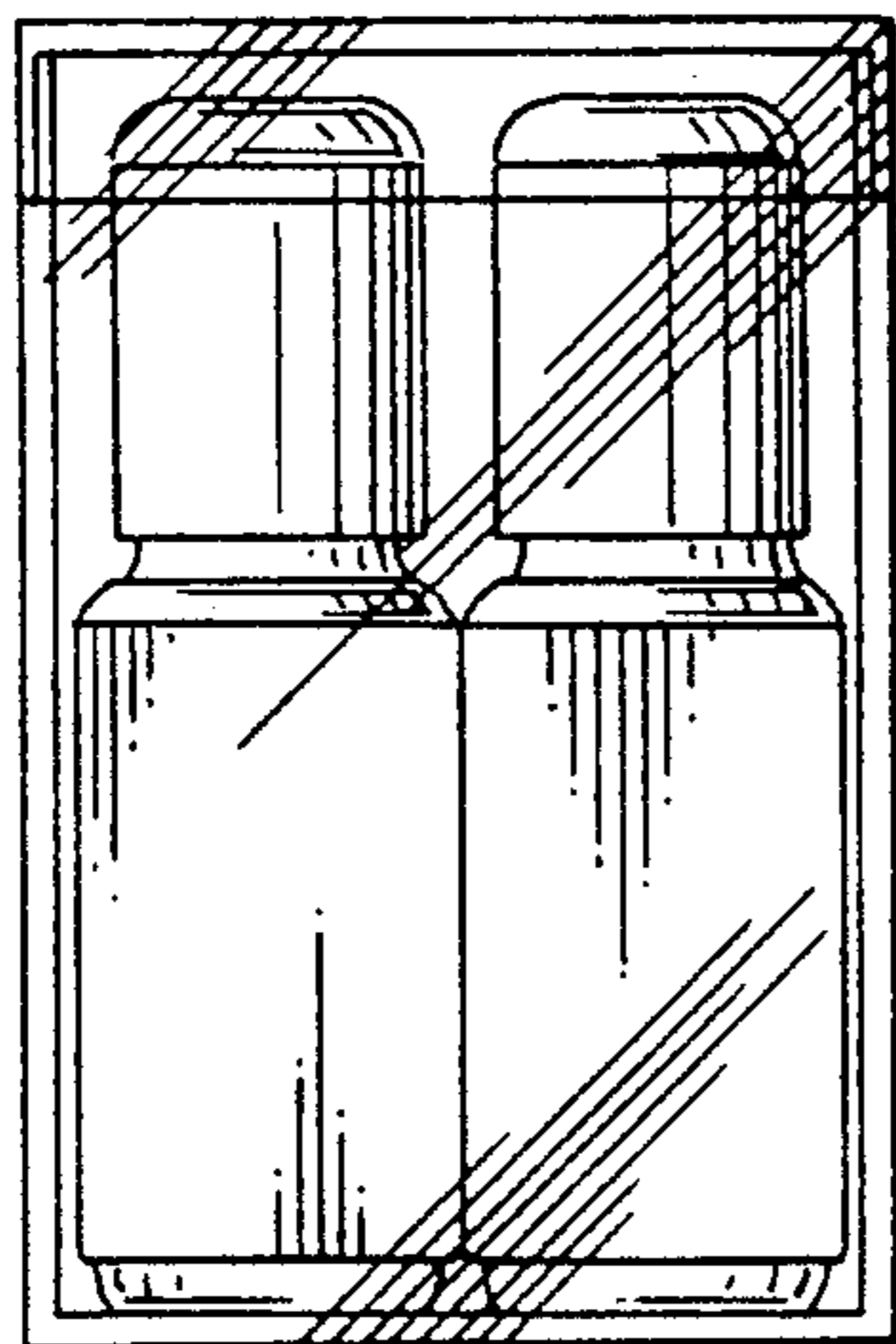


Fig. 2

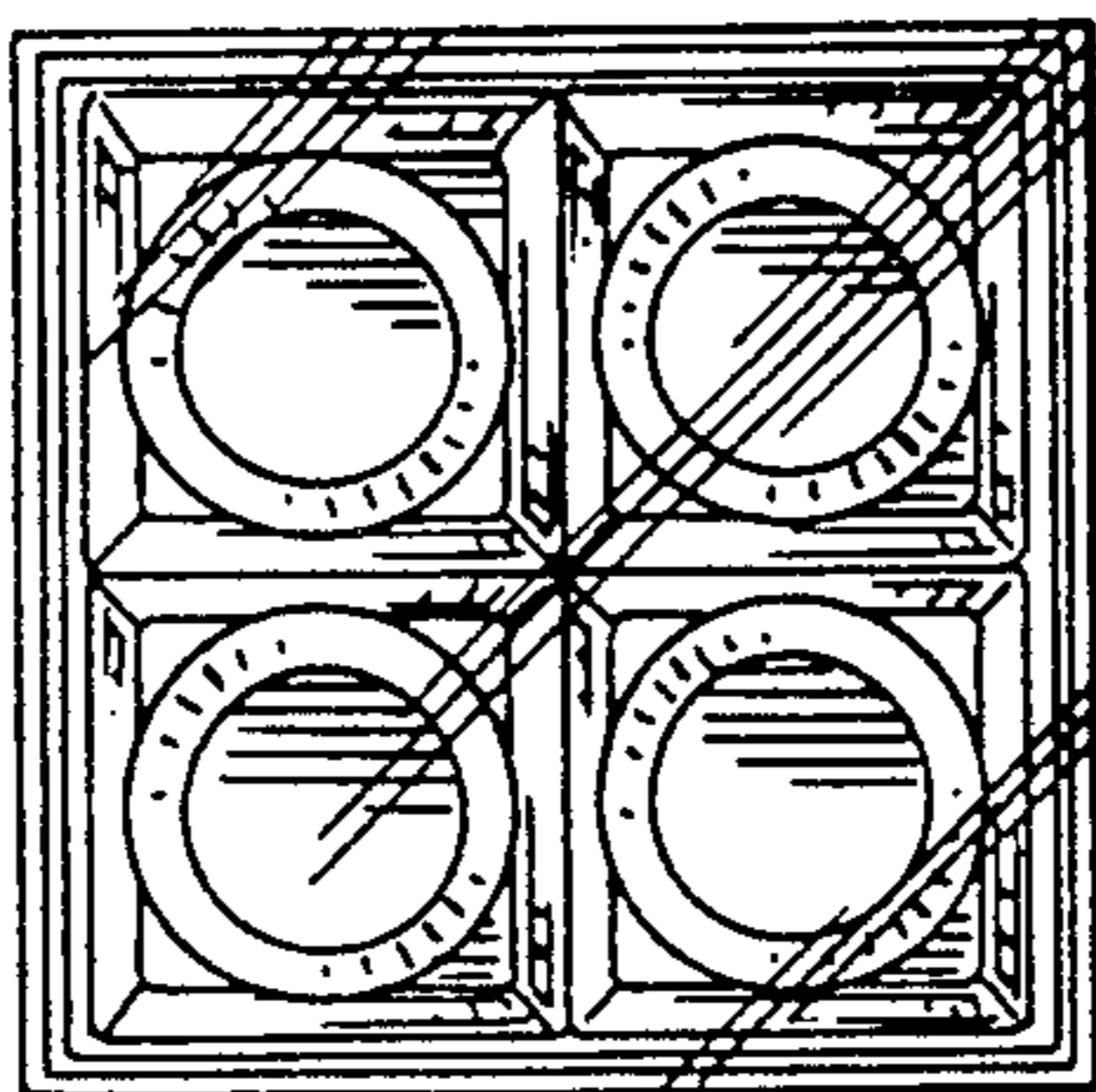


Fig. 3

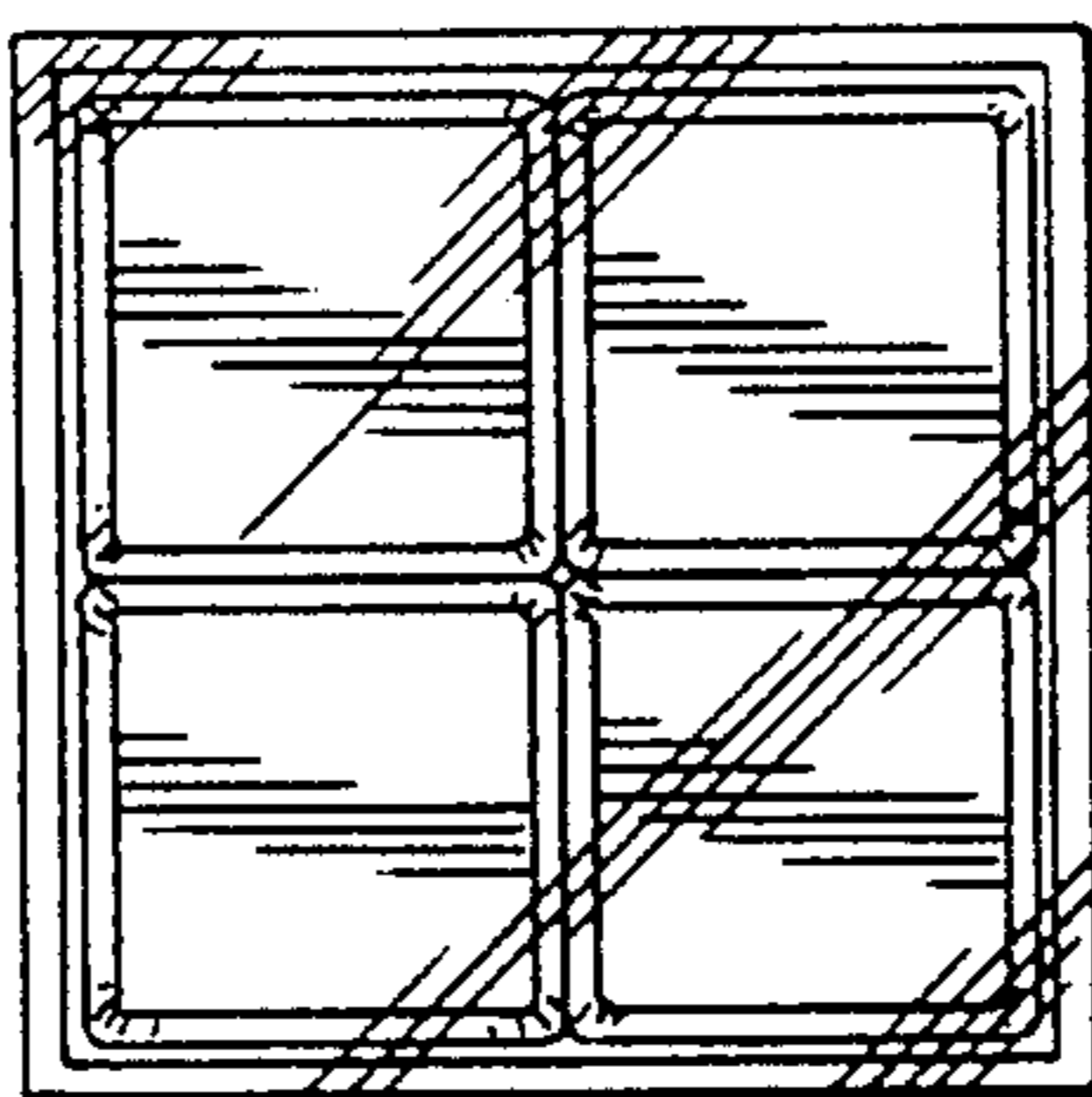


Fig. 4