

[54] **WINDOW JAM FRICTION SHOE**
[76] **Inventor: Donald T. Kaplan, R.R. 1, Janesville, Minn. 56048**
[**] **Term: 14 Years**
[21] **Appl. No.: 109,854**
[22] **Filed: Oct. 19, 1987**
[52] **U.S. Cl. D8/402**
[58] **Field of Search D8/400, 402; 49/451; 16/193**

3,788,006 1/1974 Teggelaar et al. 49/451

Primary Examiner—B. J. Bullock
Attorney, Agent, or Firm—Peterson, Wicks, Nemer & Kamrath

[57] **CLAIM**

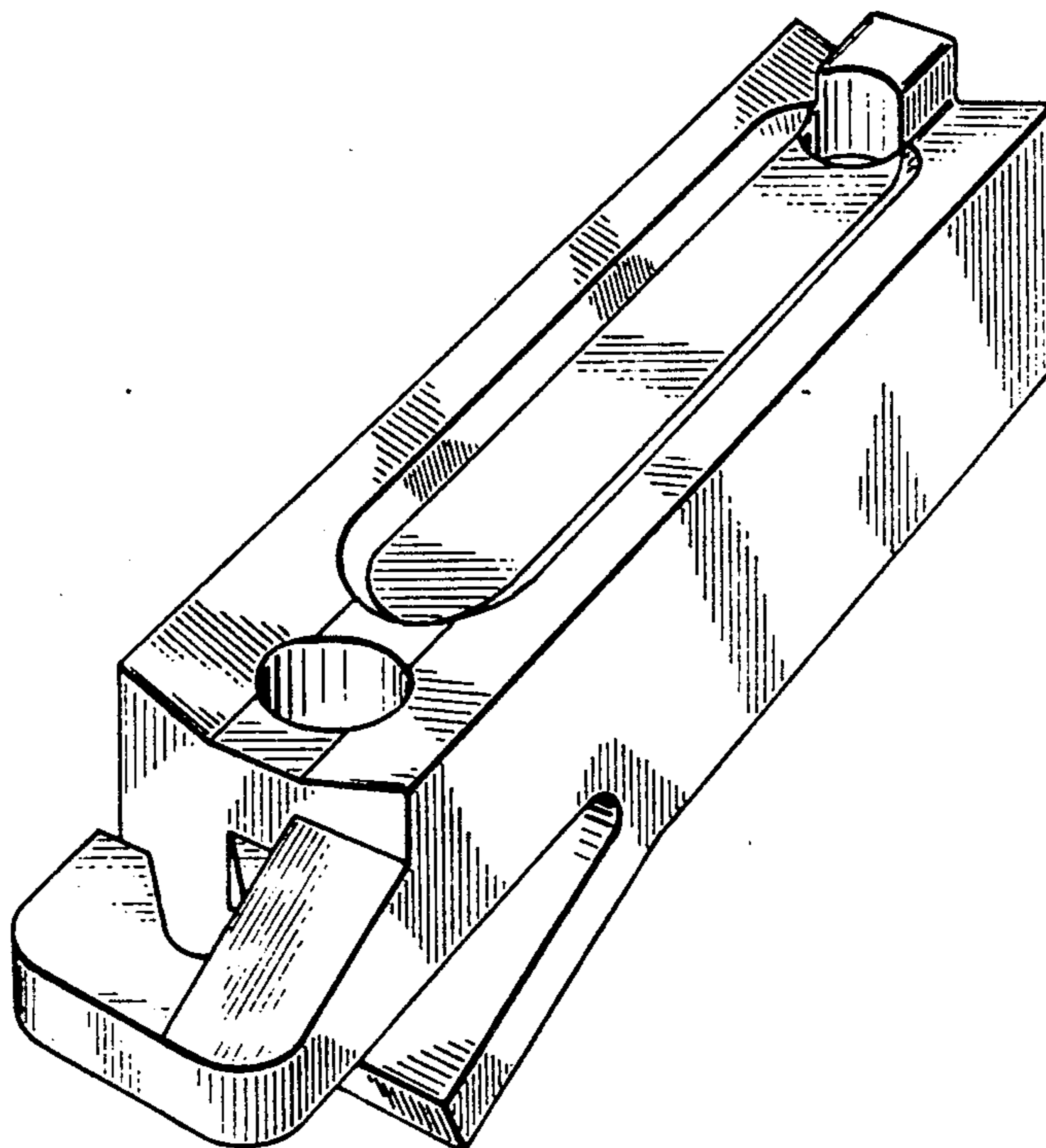
The ornamental design for a window jam friction shoe, as shown and described.

DESCRIPTION

FIG. 1 is a front perspective view of a window jam friction shoe embodying my new design;
FIG. 2 is a front elevation thereof;
FIG. 3 is a rear elevation thereof;
FIG. 4 is a right side elevation thereof;
FIG. 5 is a top plan thereof;
FIG. 6 is a left side elevation thereof; and
FIG. 7 is a bottom plan thereof.

[56] **References Cited**
U.S. PATENT DOCUMENTS

D. 104,743	6/1937	Hedberg	D8/402
D. 105,350	7/1937	Smult	D8/402
D. 209,812	1/1968	Biro	D8/402
3,466,806	9/1969	Teggelaar et al. .	



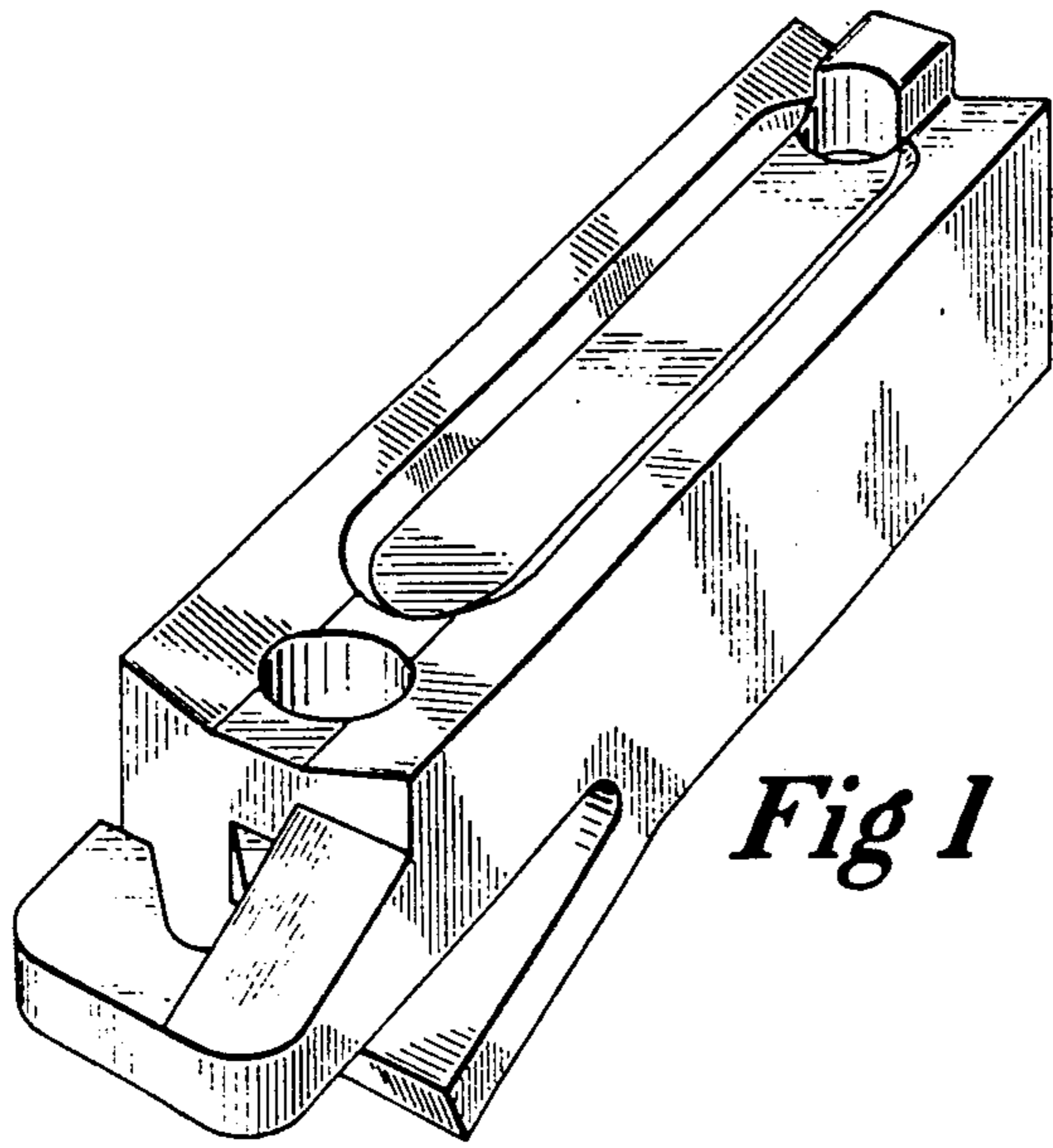


Fig 1

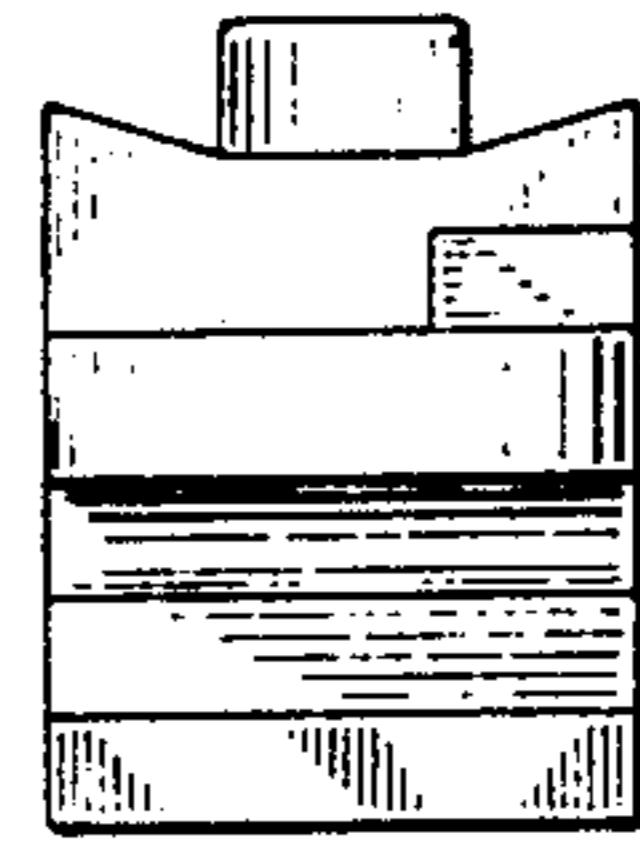


Fig 2

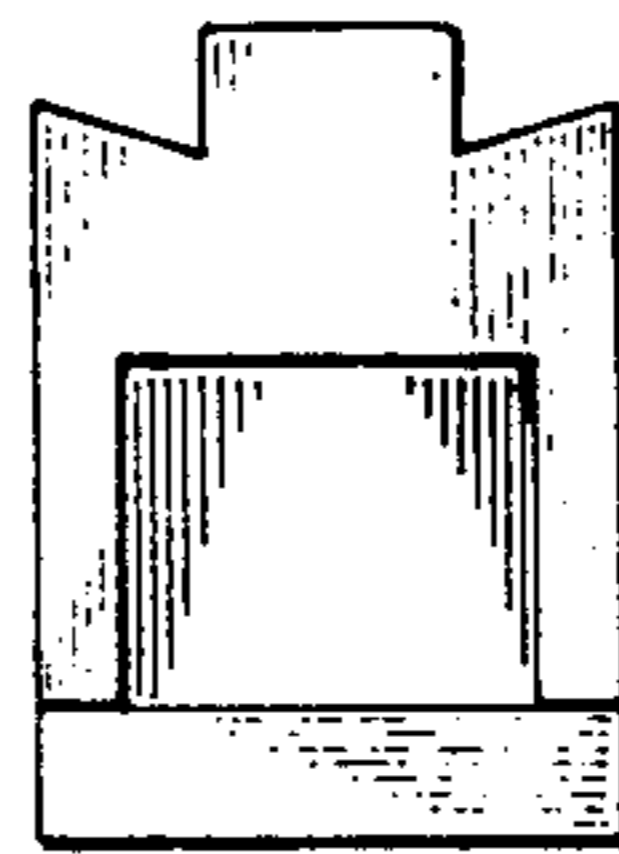


Fig 3

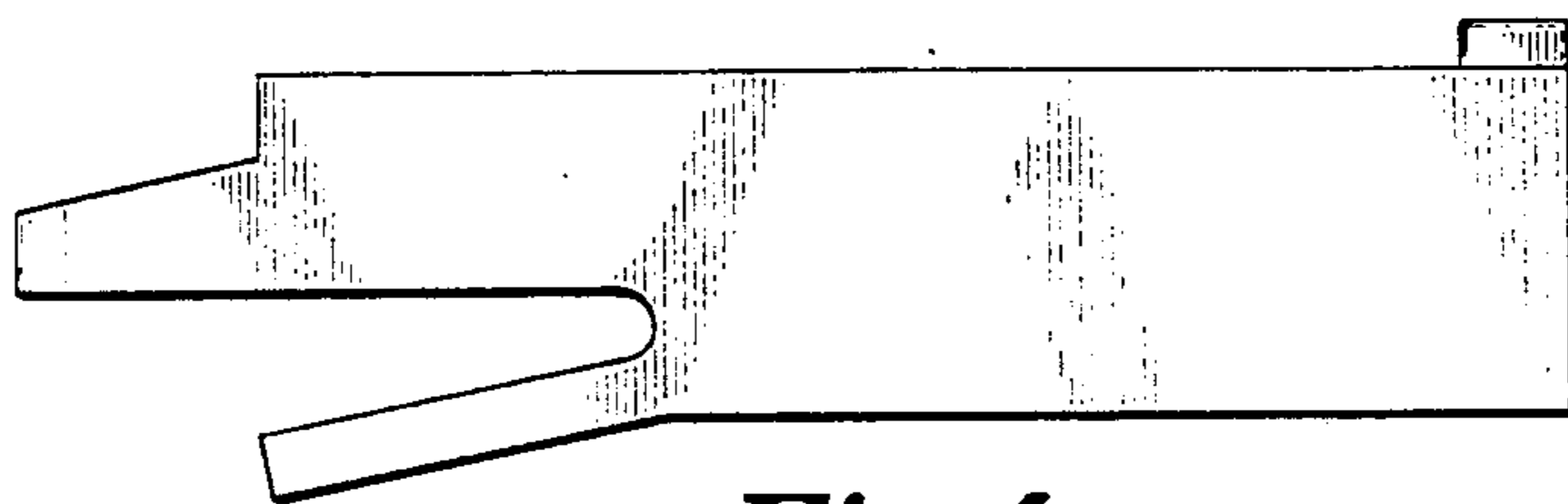


Fig 4

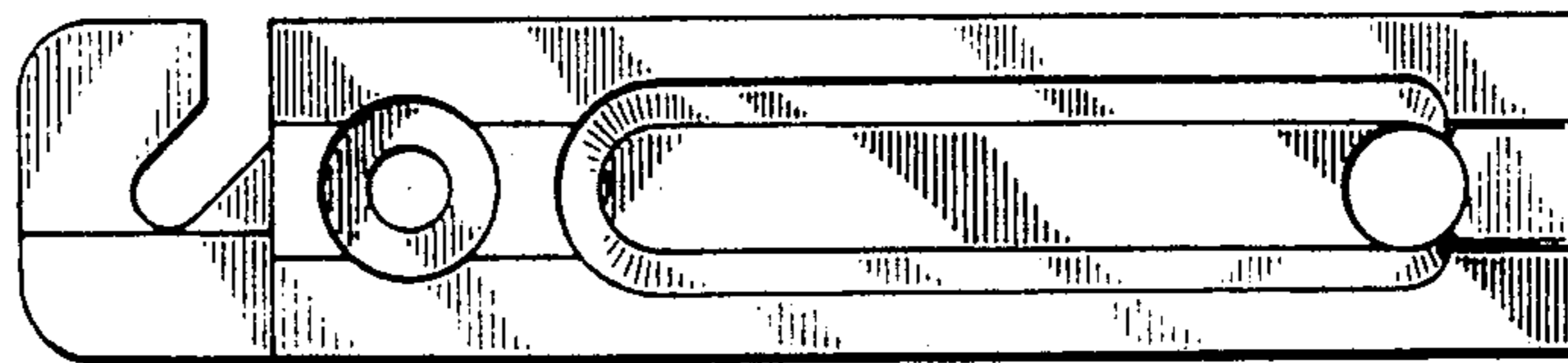


Fig 5

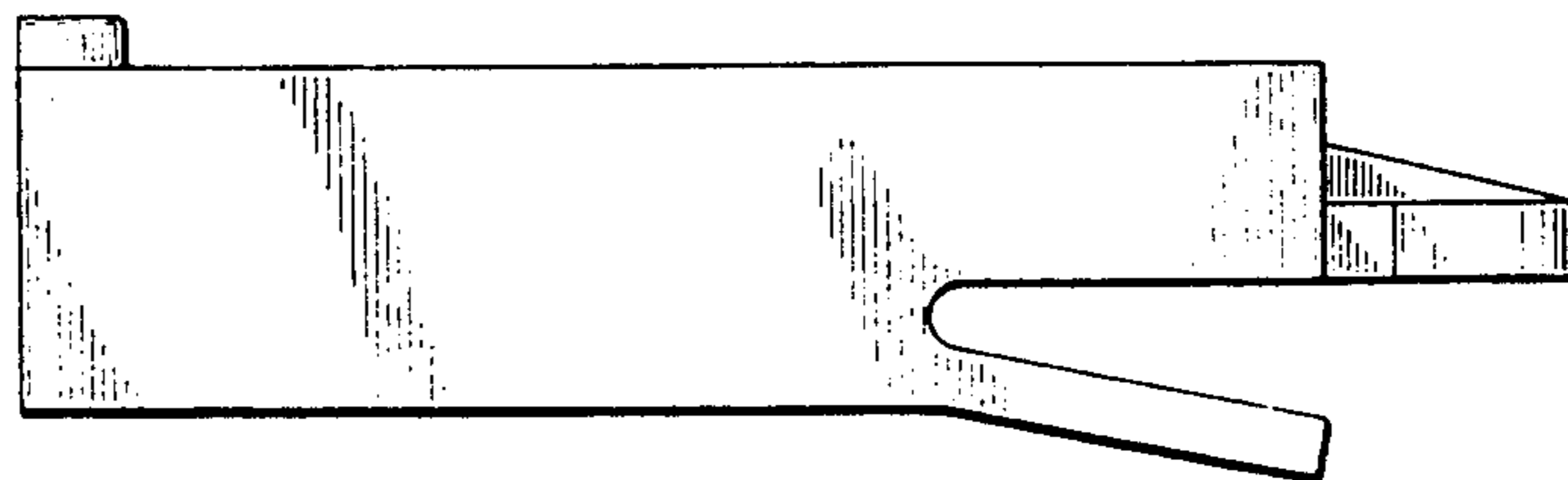


Fig 6

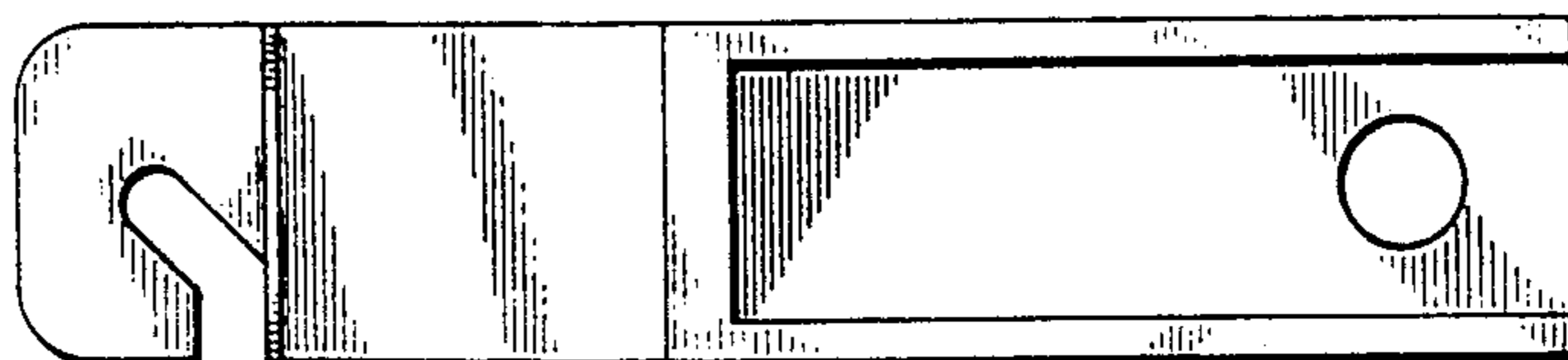


Fig 7