

[54] **POLY-V PULLEY**

[75] **Inventor: Toshiaki Kanemitsu, Kobe, Japan**

[73] **Assignee: Kabushiki Kaisha Kanemitsu, Akashi, Japan**

[\*\*] **Term: 14 Years**

[21] **Appl. No.: 240,247**

[22] **Filed: Sep. 6, 1988**

[52] **U.S. Cl. .... D8/360**

[58] **Field of Search ..... D8/360; 474/170, 169; 72/105, 82; 29/159 R, 159.1**

[56] **References Cited**

**U.S. PATENT DOCUMENTS**

D. 266,982	11/1982	Kanemitsu	.....	D8/360
D. 266,983	11/1982	Kanemitsu	.....	D8/360
D. 266,984	11/1982	Kanemitsu	.....	D8/360
D. 267,472	1/1983	Kanemitsu	.....	D8/360
D. 267,540	1/1983	Kanemitsu	.....	D8/360
D. 267,541	1/1983	Kanemitsu	.....	D8/360
D. 268,092	3/1983	Kanemitsu	.....	D8/360
D. 275,176	8/1984	Kanemitsu	.....	D8/360
D. 275,365	9/1984	Kanemitsu	.....	D8/360
D. 276,409	11/1984	Kanemitsu	.....	D8/360
D. 277,547	2/1985	Kanemitsu	.....	D8/360
2,139,833	12/1938	LeJeune et al.	.....	29/159.1
2,471,906	5/1949	Smith	.....	474/170
2,656,730	10/1953	Mitchell	.....	29/159 R
2,787,914	4/1957	Nelson	.....	474/168
2,878,551	3/1959	Woodward	.....	29/159.1
3,368,376	2/1968	Previte	.....	72/82
3,457,751	7/1969	Lindeman	.....	72/105
3,722,309	3/1973	Shaffer	.....	474/169
3,772,928	11/1973	Gobeille	.....	74/230.7
3,838,485	10/1974	Oldford	.....	474/170
3,907,371	9/1975	Leudi et al.	.....	29/159.1
3,945,102	3/1976	Kotlar	.....	29/159 R
3,953,995	5/1976	Haswell et al.	.....	72/105
3,962,926	6/1976	Kotlar	.....	474/168
3,977,264	8/1976	Sproul	.....	29/159 R
3,994,181	11/1976	Sproul	.....	474/170
4,050,321	9/1977	Kraft	.....	74/230.8
4,059,023	11/1977	Sproul	.....	474/170
4,078,410	3/1978	Lemmo	.....	72/82
4,080,704	3/1978	Blakesley	.....	29/159 R
4,083,215	4/1978	Guetzlaff	.....	72/82

4,086,798	5/1978	Lemmo	.....	72/82
4,197,756	4/1980	Yaros	.....	74/230.3
4,273,547	6/1981	Bytzek	.....	474/170
4,313,323	2/1982	Kanemitsu	.....	D8/360
4,455,853	6/1984	Kanemitsu	.....	72/84
4,518,374	5/1985	Kanemitsu	.....	474/170
4,524,595	6/1985	Oda	.....	72/84
4,551,122	11/1985	Kraft et al.	.....	474/170

**FOREIGN PATENT DOCUMENTS**

2822056	11/1979	Fed. Rep. of Germany	.....	474/170
508176	1/1955	Italy	.....	474/170
558013	7/1954	Japan	.	
11260	5/1979	Japan	.....	72/105
587748	2/1980	Japan	.	
143863	11/1981	Japan	.....	29/159 R
90459	6/1982	Japan	.....	29/159 R
195551	12/1982	Japan	.....	29/159 R
128564	8/1983	Japan	.....	29/159 R
163538	9/1983	Japan	.....	29/159 R
13535	1/1984	Japan	.....	29/159 R

*Primary Examiner*—Wallace R. Burke  
*Assistant Examiner*—Holly H. Baynham  
*Attorney, Agent, or Firm*—Jones, Tullar & Cooper

[57] **CLAIM**

The ornamental design for a poly-V pulley, as shown and described.

**DESCRIPTION**

FIG. 1 is a top perspective view of a poly-V pulley showing my new design;  
 FIG. 2 is a front elevation view thereof;  
 FIG. 3 is a top plan view thereof;  
 FIG. 4 is a side elevation view thereof;  
 FIG. 5 is a bottom plan view thereof;  
 FIG. 6 is a section view taken along the line 6—6 in FIG. 4;  
 FIG. 7 is a top perspective view of a second embodiment of the design in FIG. 1;  
 FIG. 8 is a top plan view thereof;  
 FIG. 9 is a bottom plan view thereof;  
 FIG. 10 is a section view taken along the line 10—10 in FIG. 9;  
 Both a front elevation view and a side elevation view of the alternative embodiment shown in FIGS. 7-10 are the same as those in FIGS. 2 and 4.

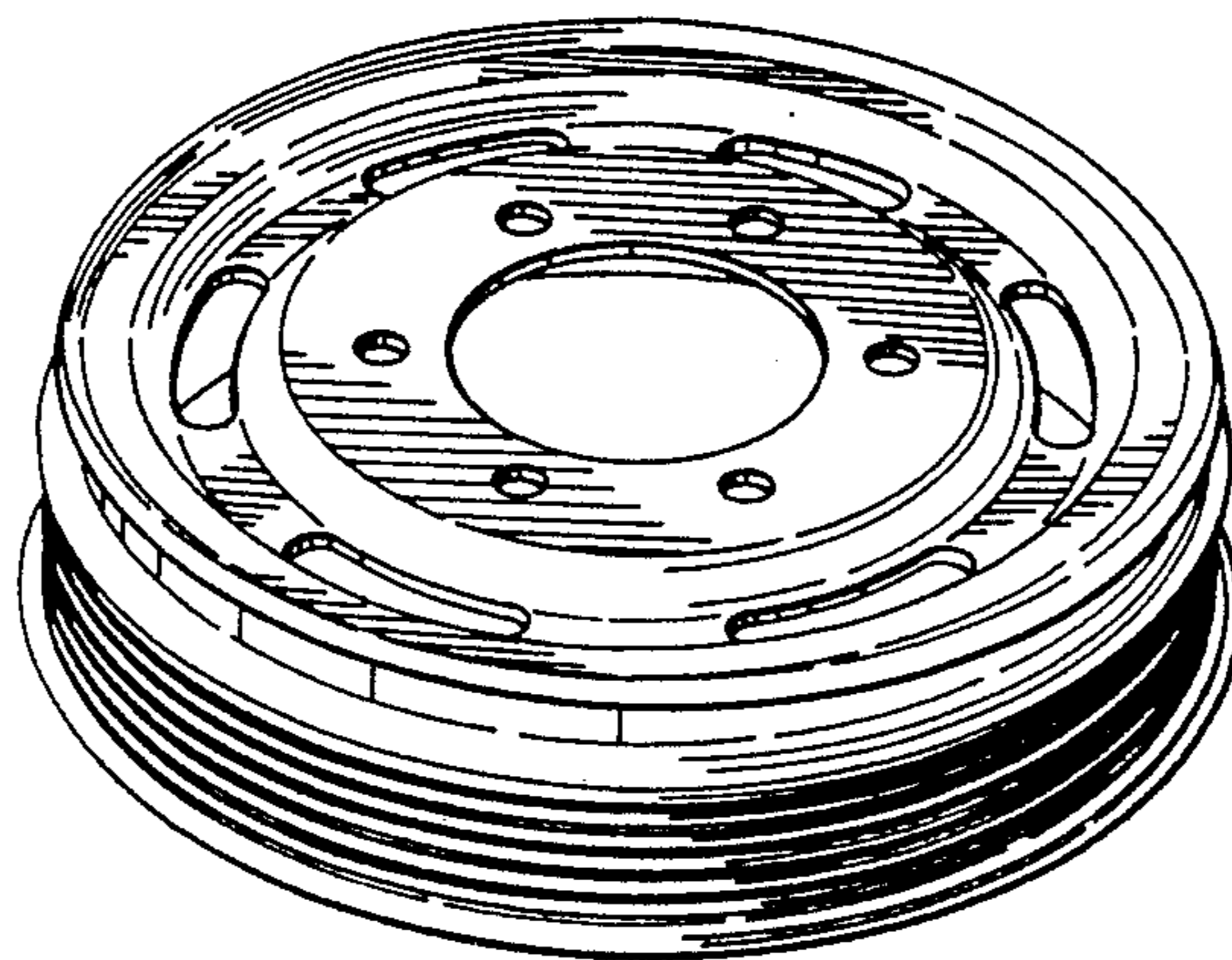


Fig. 1

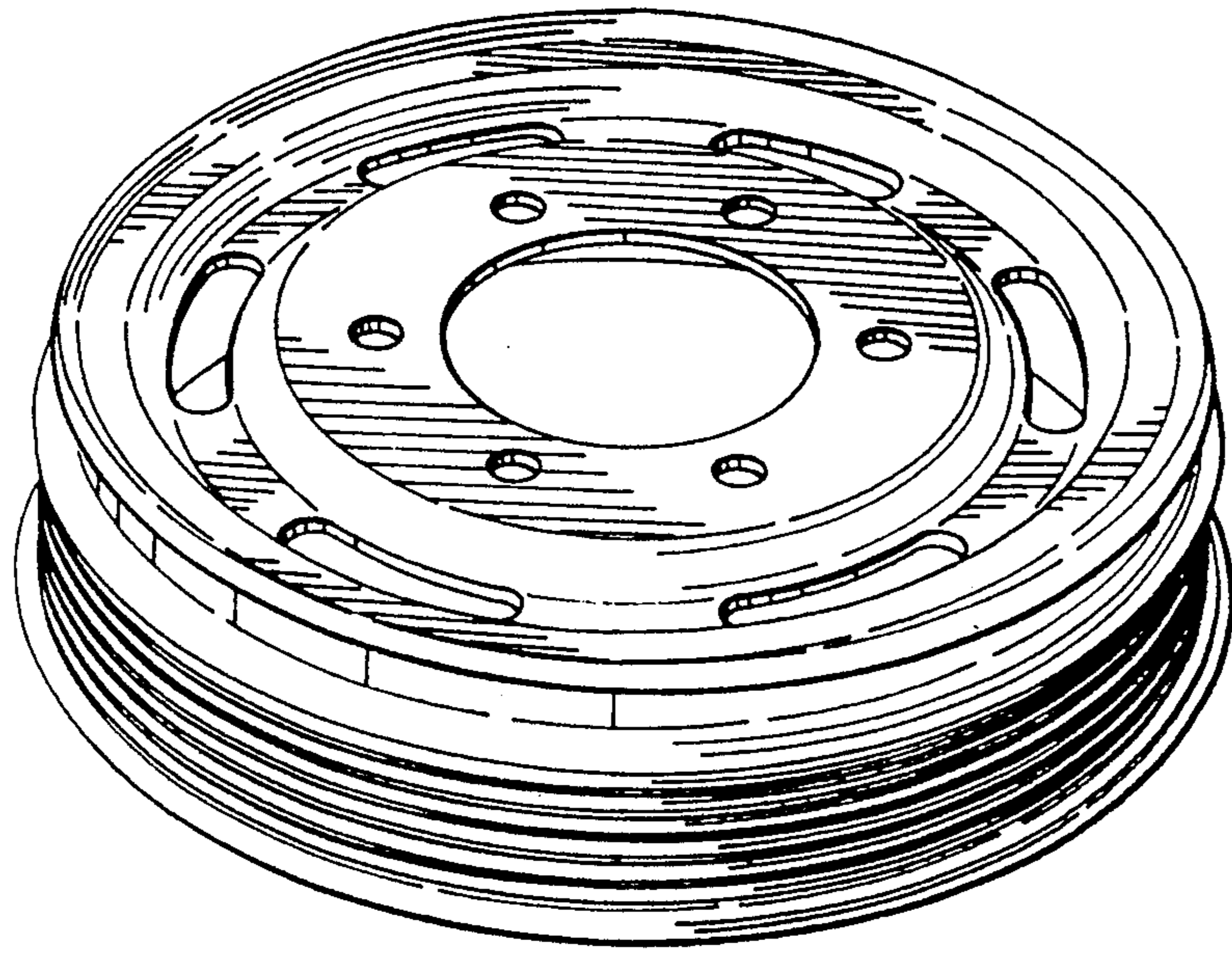


Fig. 2

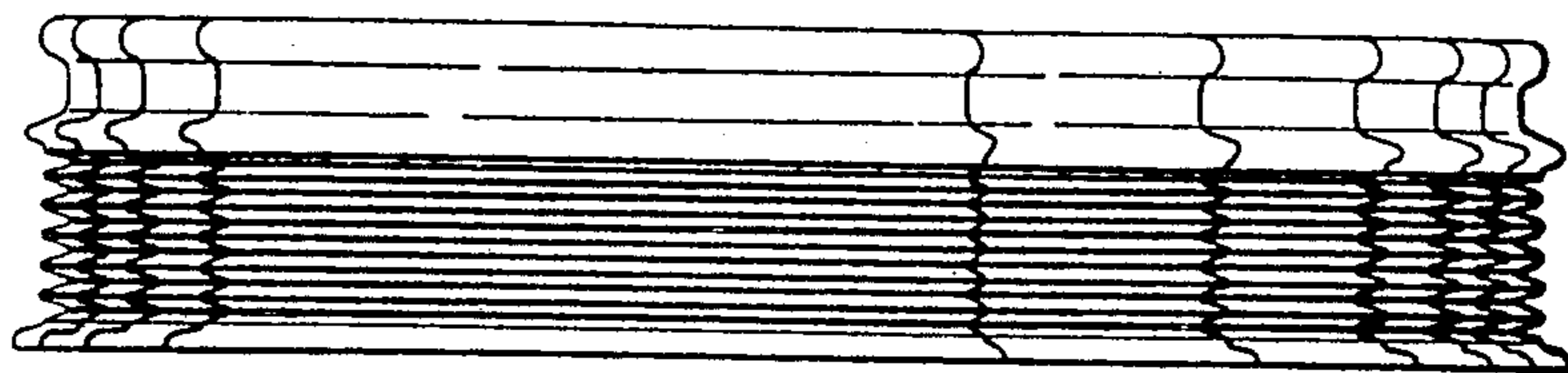


Fig.3

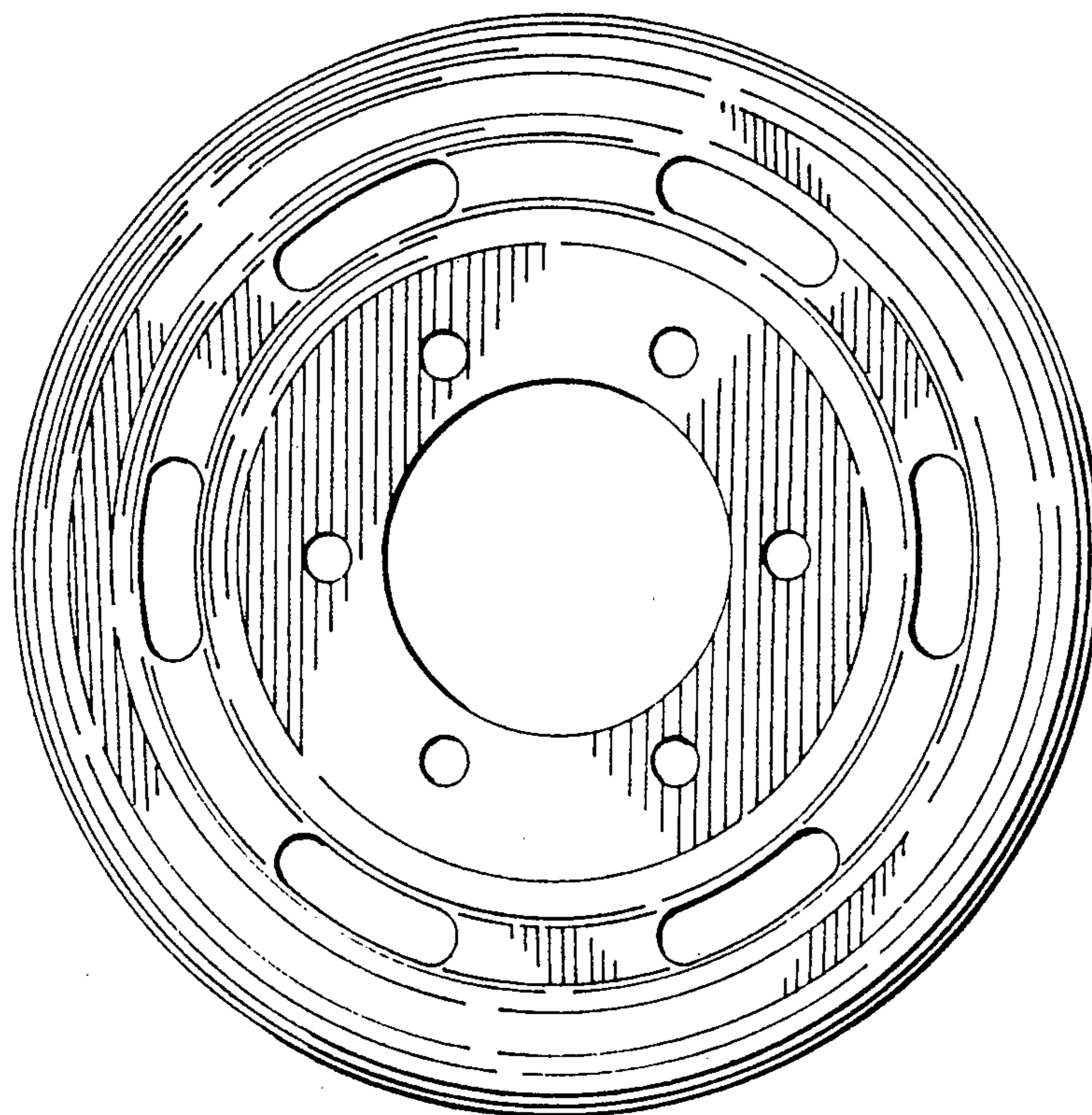


Fig.4

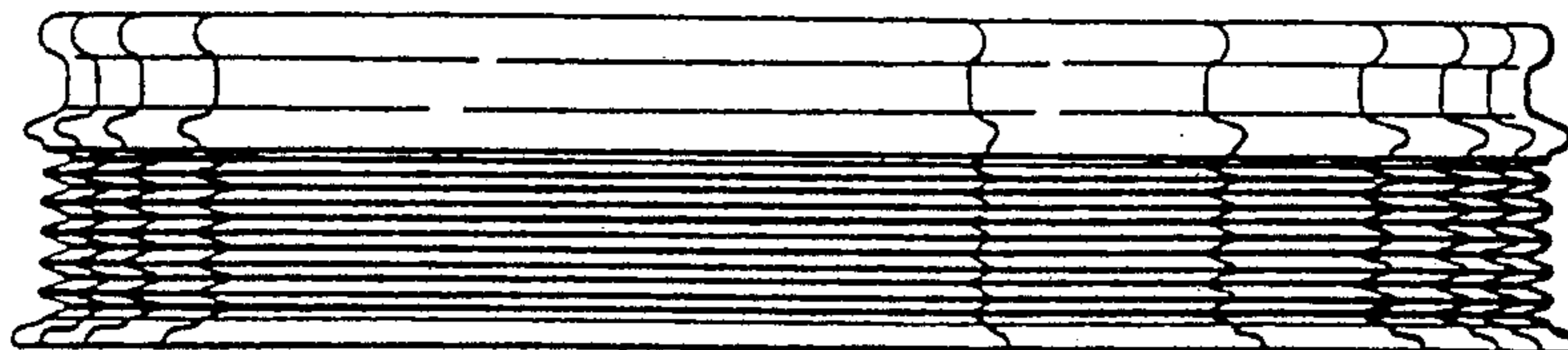


Fig. 5

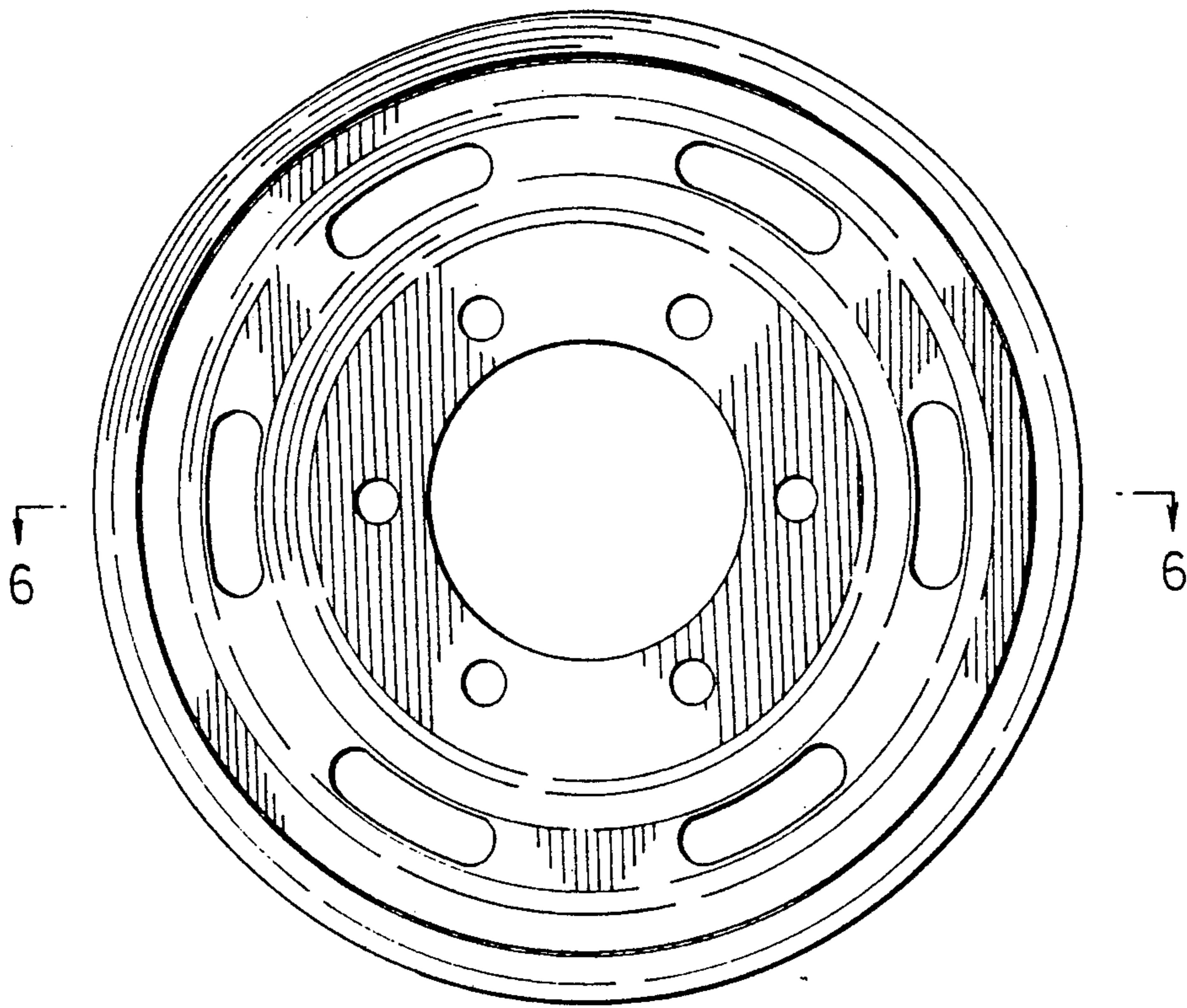


Fig. 6

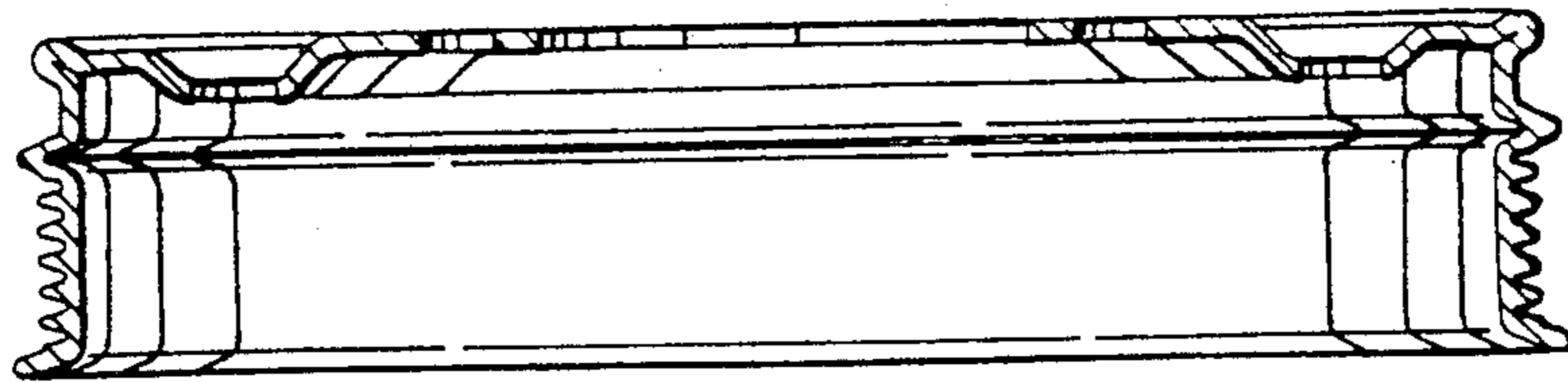


Fig. 7

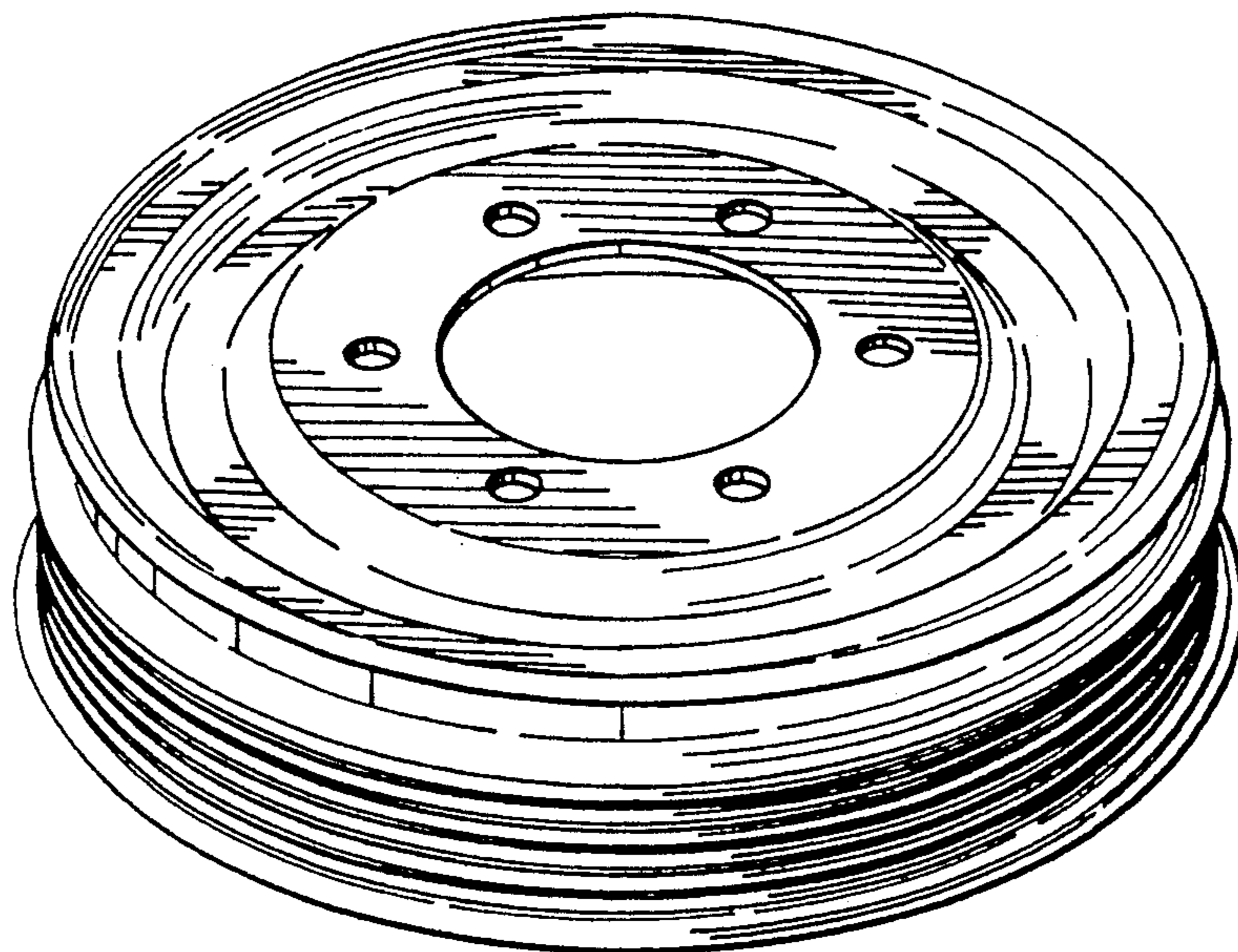


Fig. 8

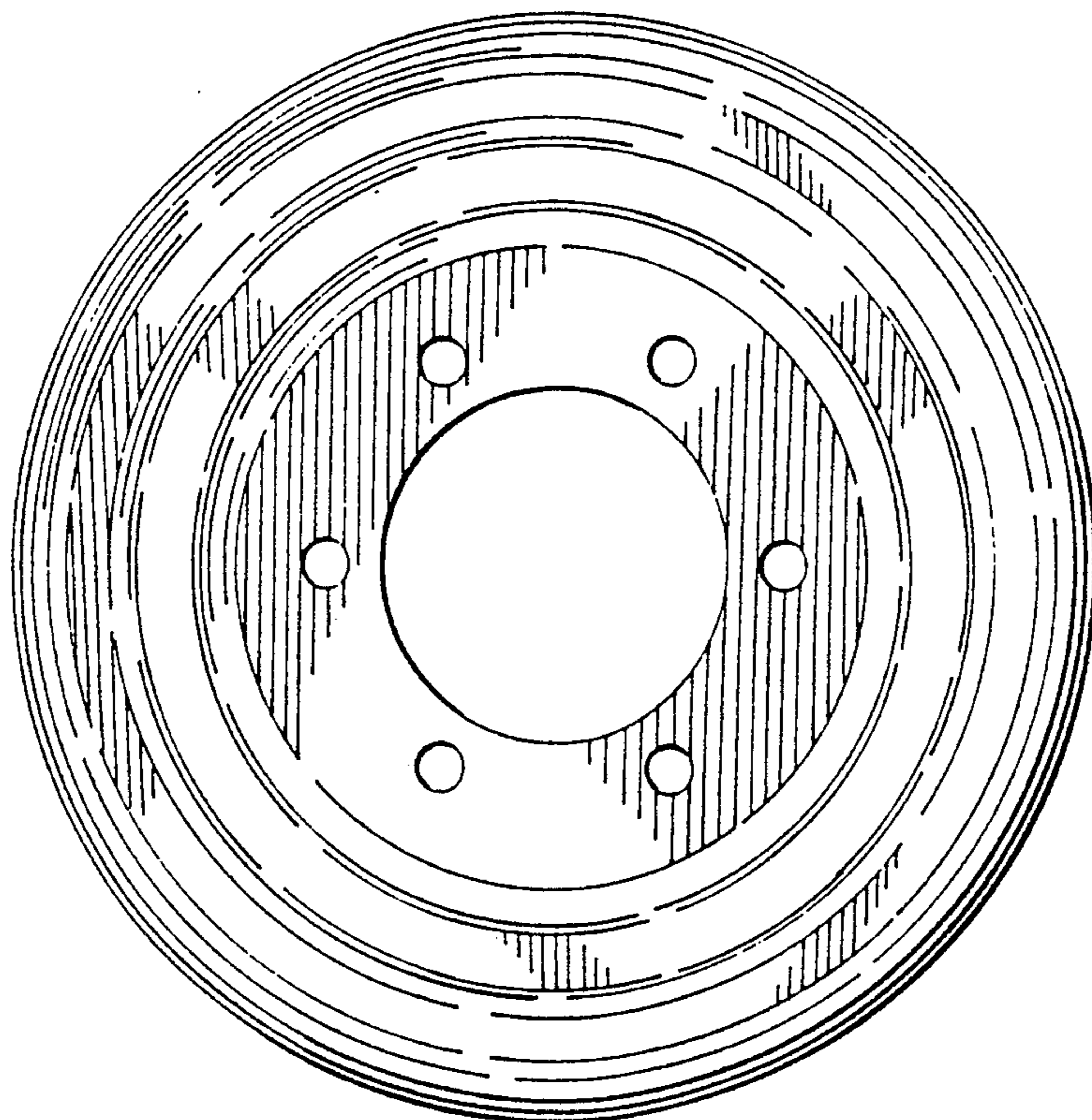


Fig.9

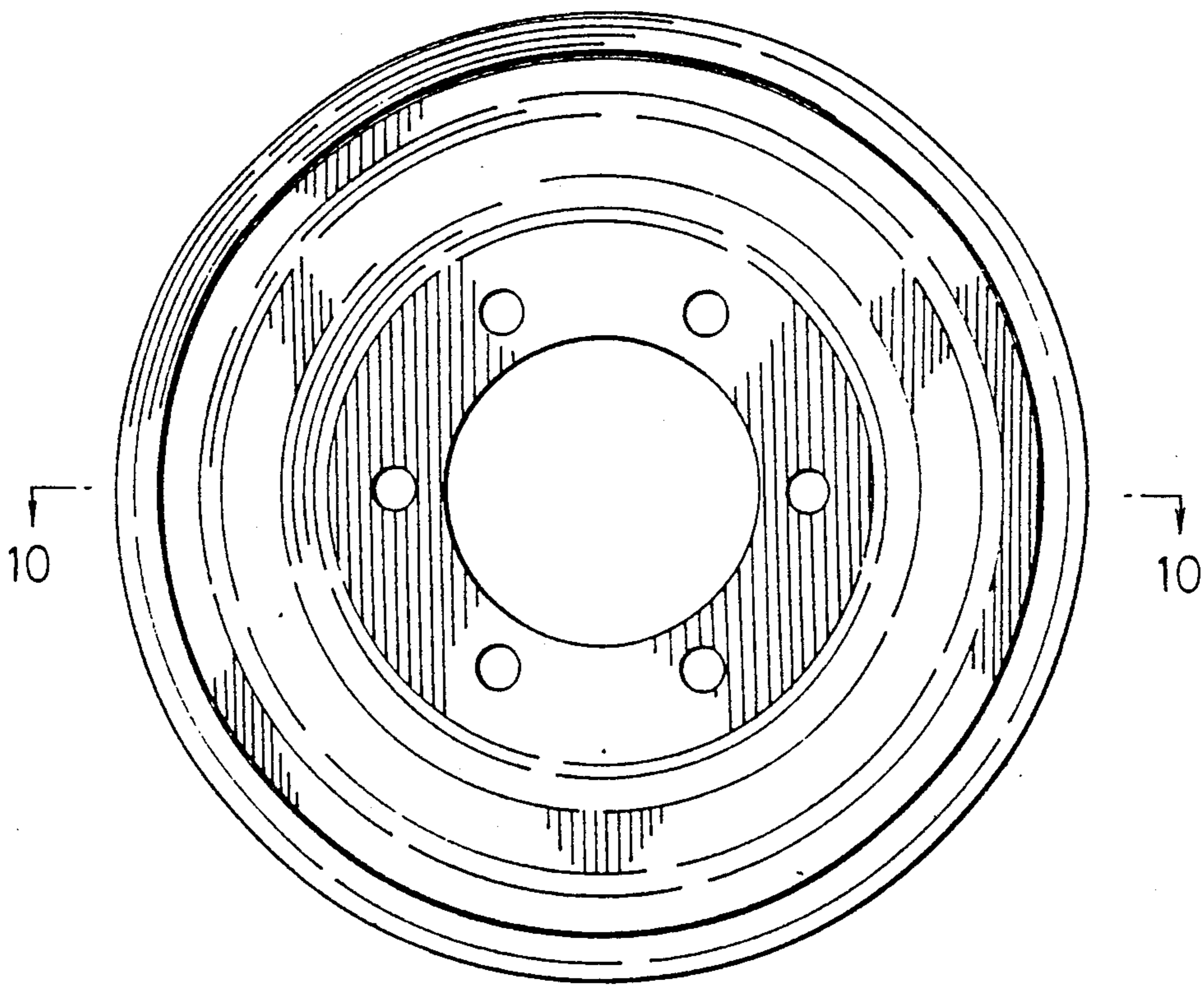


Fig.10

