

[54] COMBINED CUTLERY AND KITCHEN
UTENSIL HOLDER OR SIMILAR ARTICLE

228,998 6/1880 Johnston D7/640 X

[76] Inventor: **Stony Lin**, No. 11, Shing-Gong Rd.,
Yeong-Kang Industrial District,
Tainan Hsien, Taiwan

Primary Examiner—Terry A. Pfeffer
Attorney, Agent, or Firm—Harness, Dickey & Pierce

[**] Term: **14 Years**

[57] **CLAIM**

The ornamental design for combined cutlery and kitchen utensil holder or similar article, as shown and described.

[21] Appl. No.: **360,711**

DESCRIPTION

[22] Filed: **Jun. 2, 1989**

[52] U.S. Cl. **D7/640; D7/638**

[58] Field of Search **D7/637-641;**
206/553, 564; 211/70.6, 70.7, 71, 60.1;
248/37.3; D19/65, 75, 77, 81, 84

FIG. 1 is a perspective view of combined cutlery kitchen utensil holder or similar article showing my new design;

FIG. 2 is a front elevational view thereof;

FIG. 3 is a rear elevational view thereof;

FIG. 4 is a left side view thereof;

FIG. 5 is a right side view thereof;

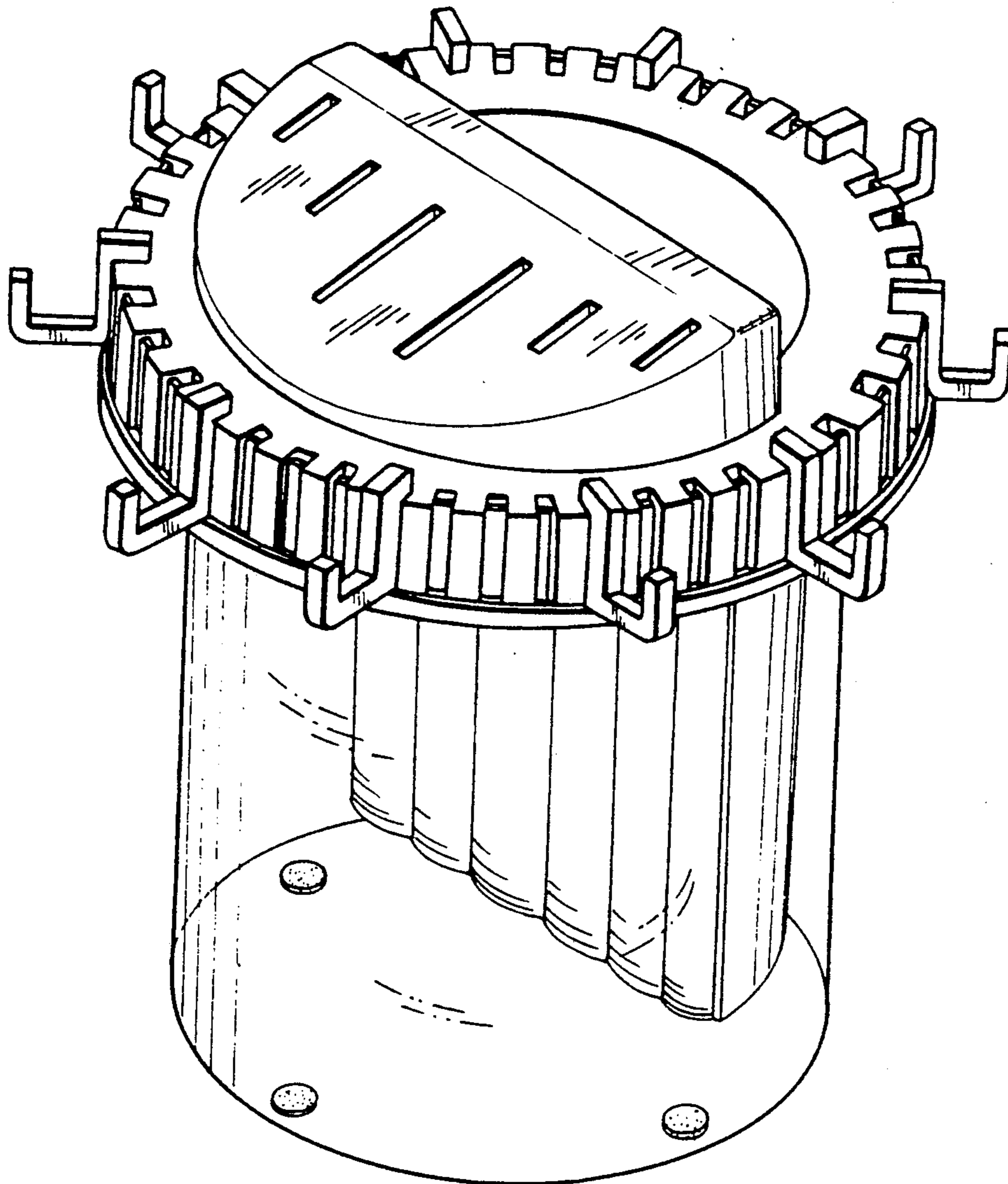
FIG. 6 is a top plan view thereof; and

FIG. 7 is a bottom plan view thereof.

[56] **References Cited**

U.S. PATENT DOCUMENTS

D. 199,860 12/1964 Van Antwerp D7/640



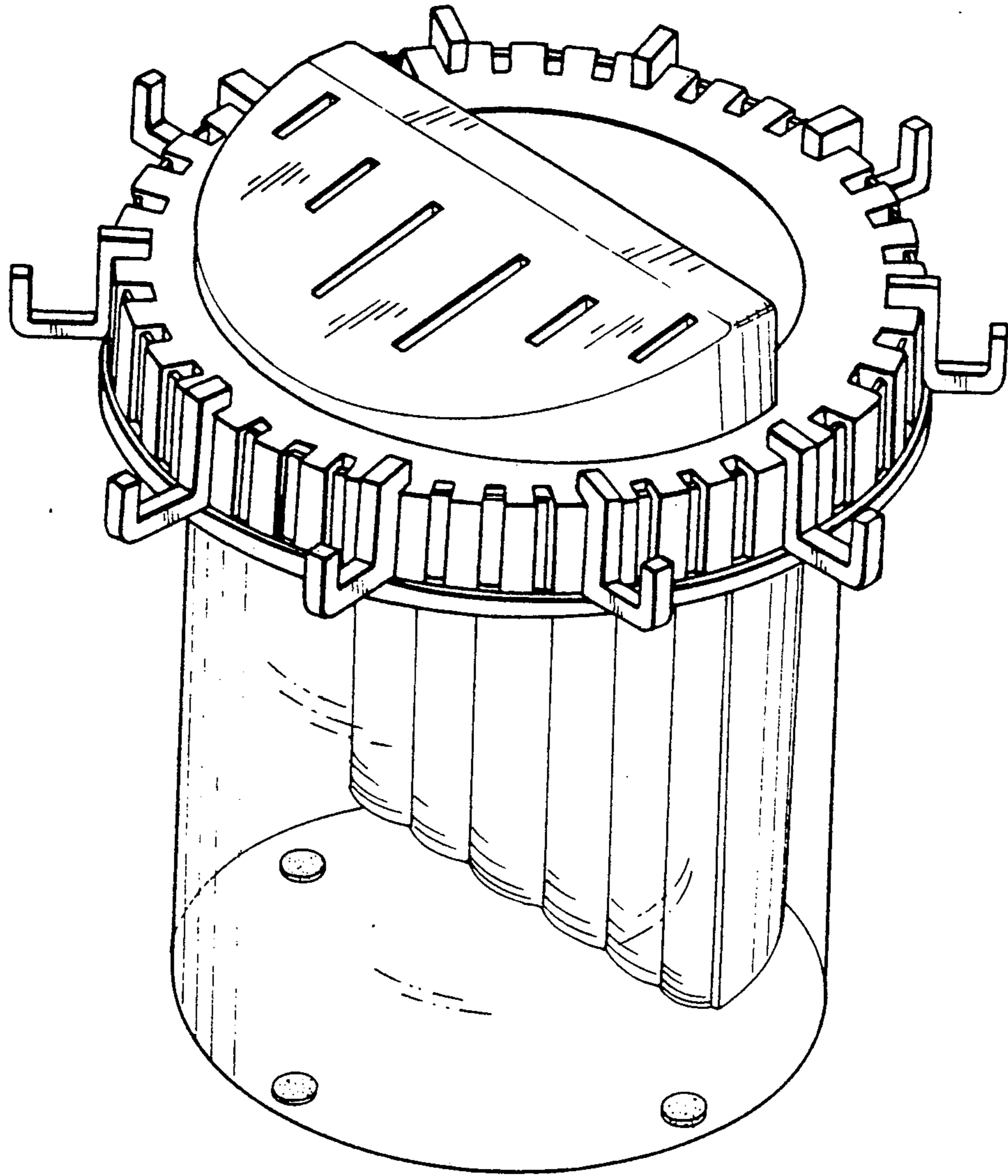


FIG. 1

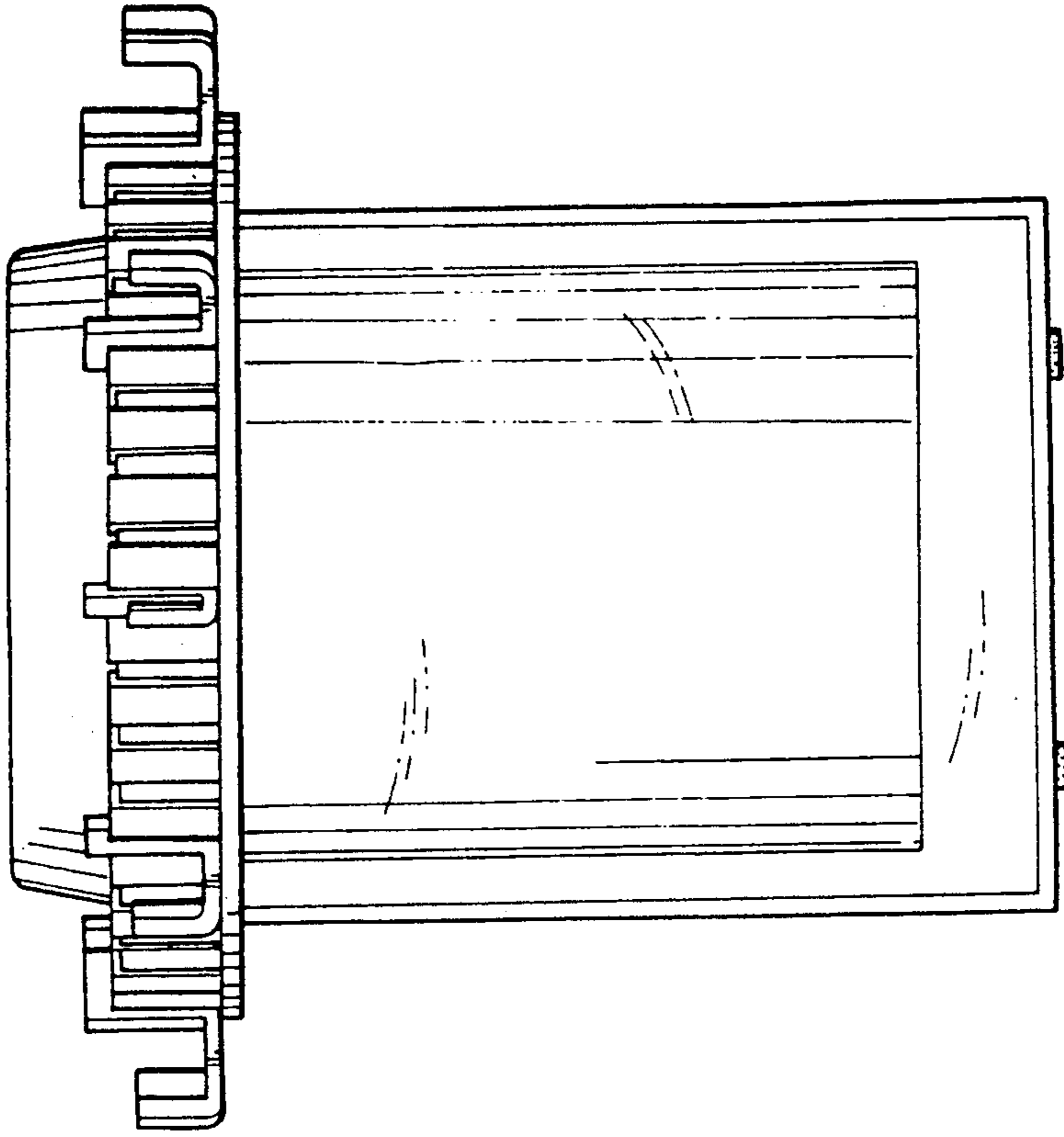


FIG. 2

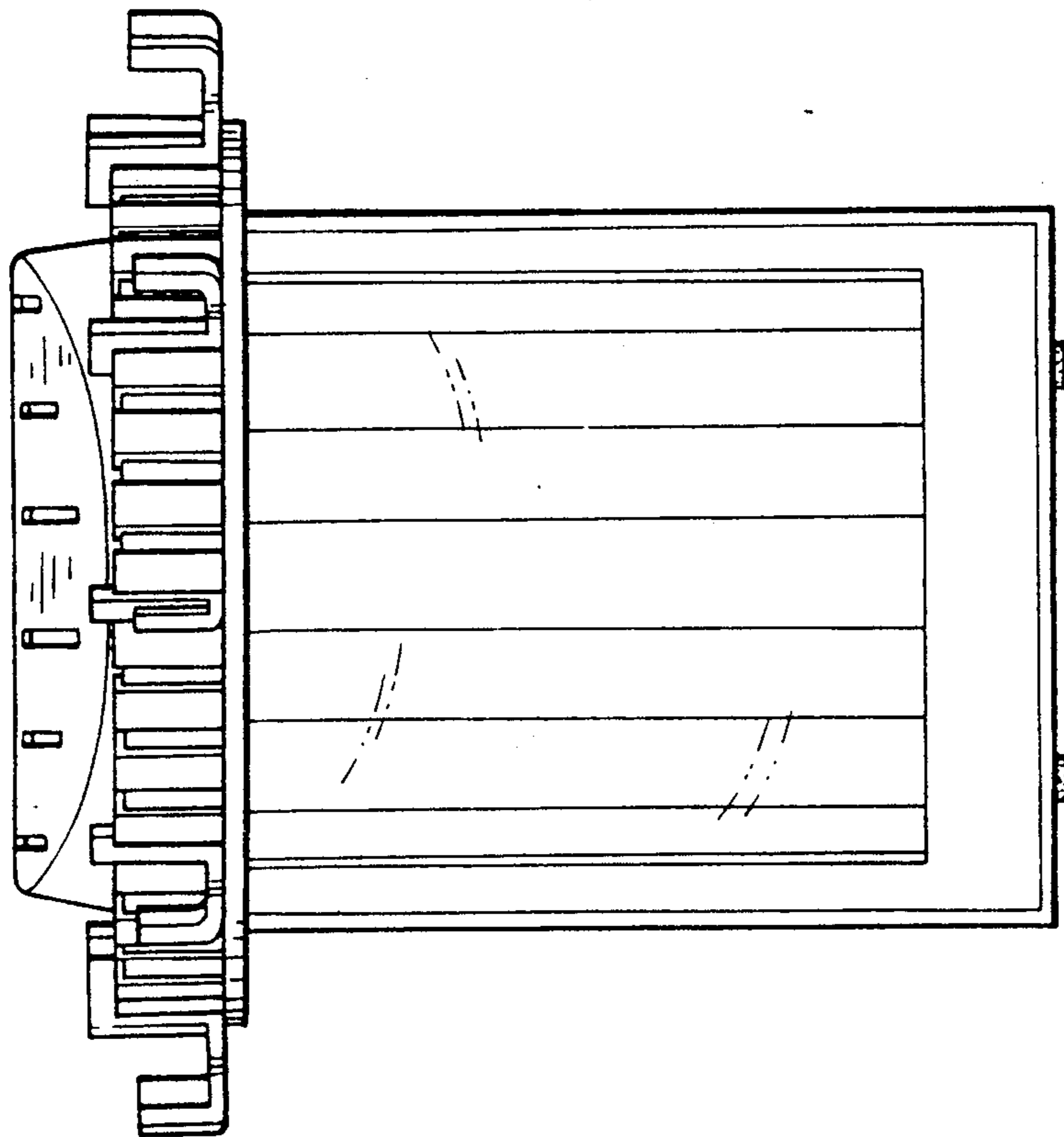


FIG. 3

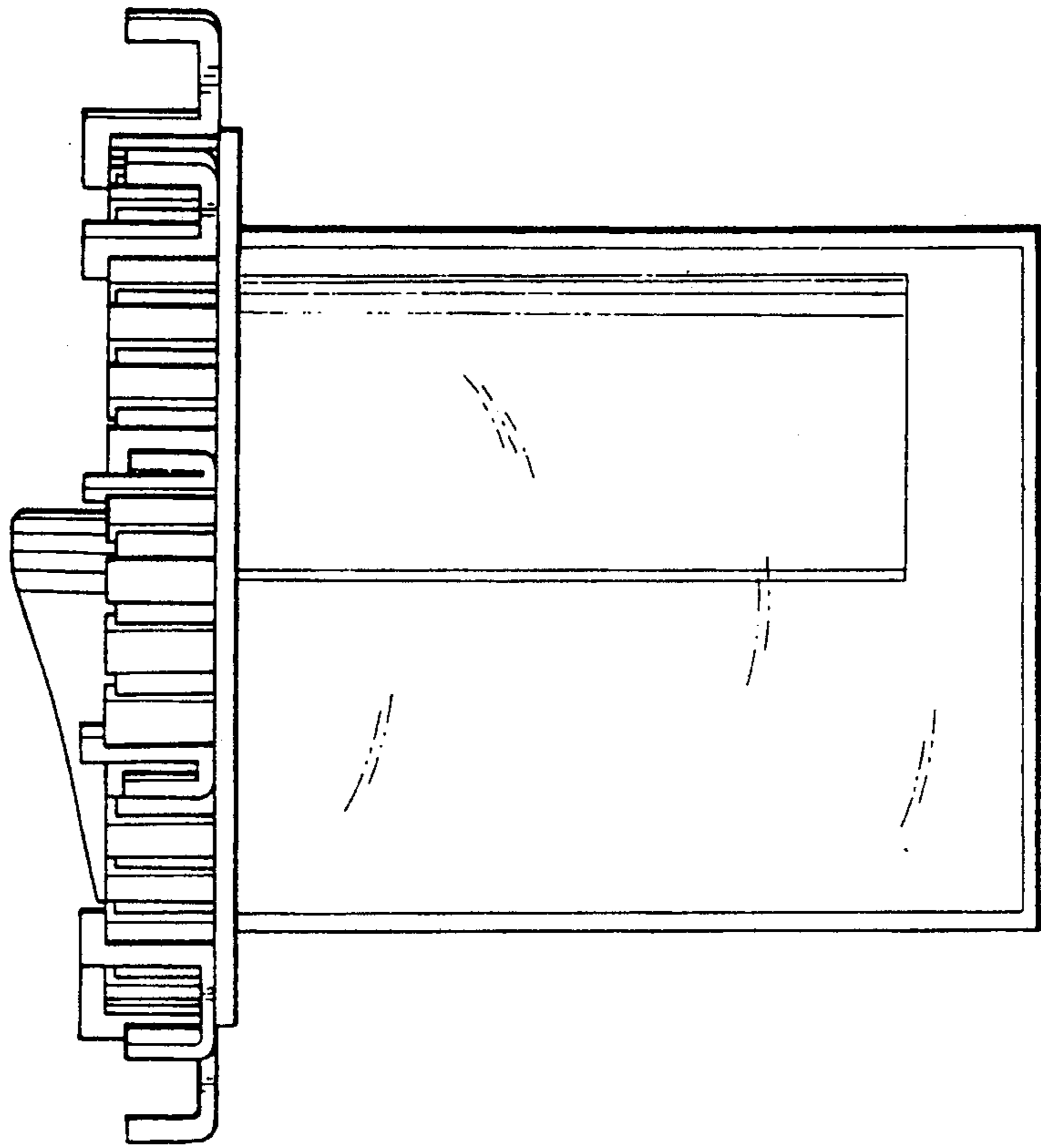


FIG. 5

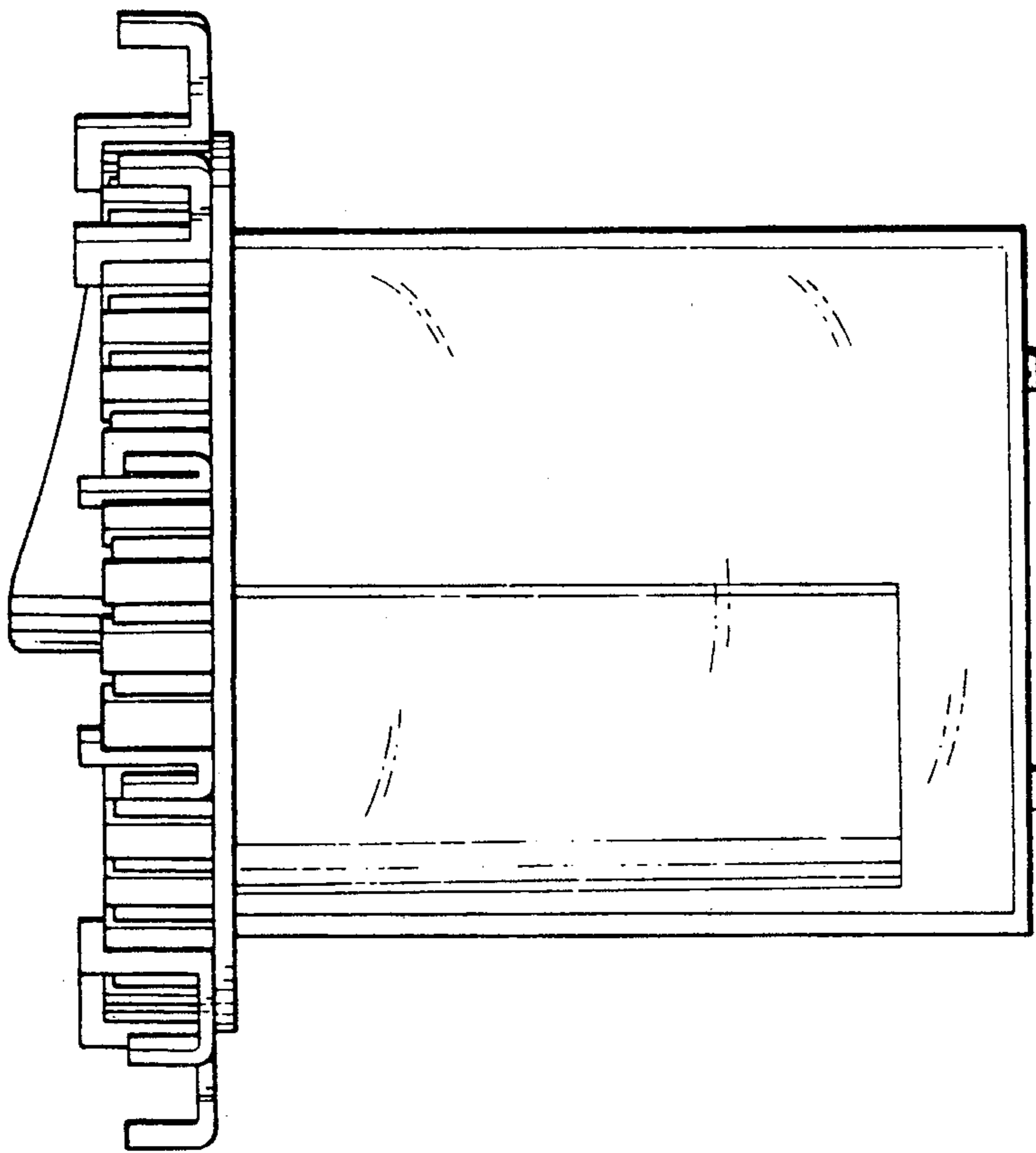


FIG. 4

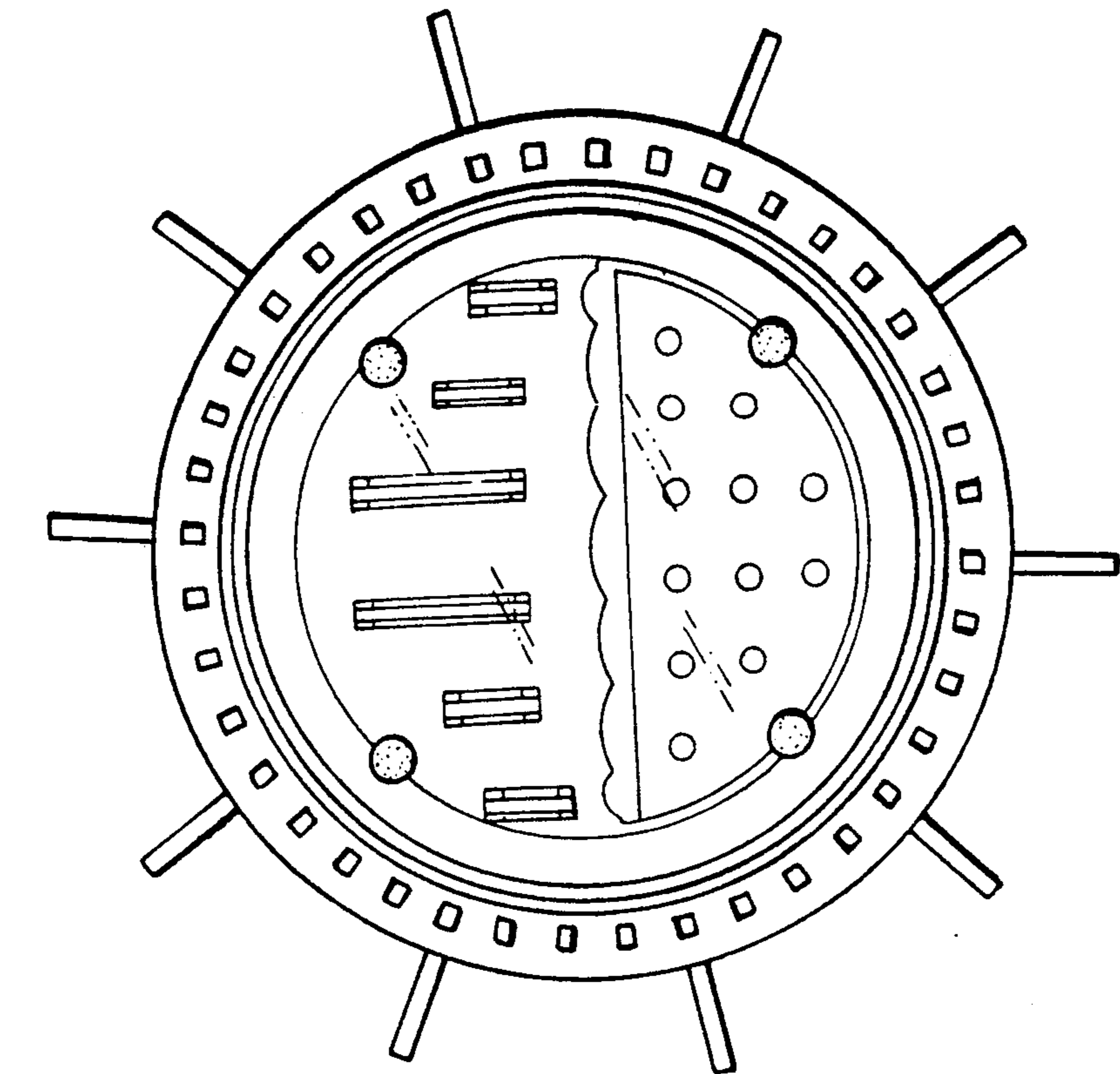


FIG. 6

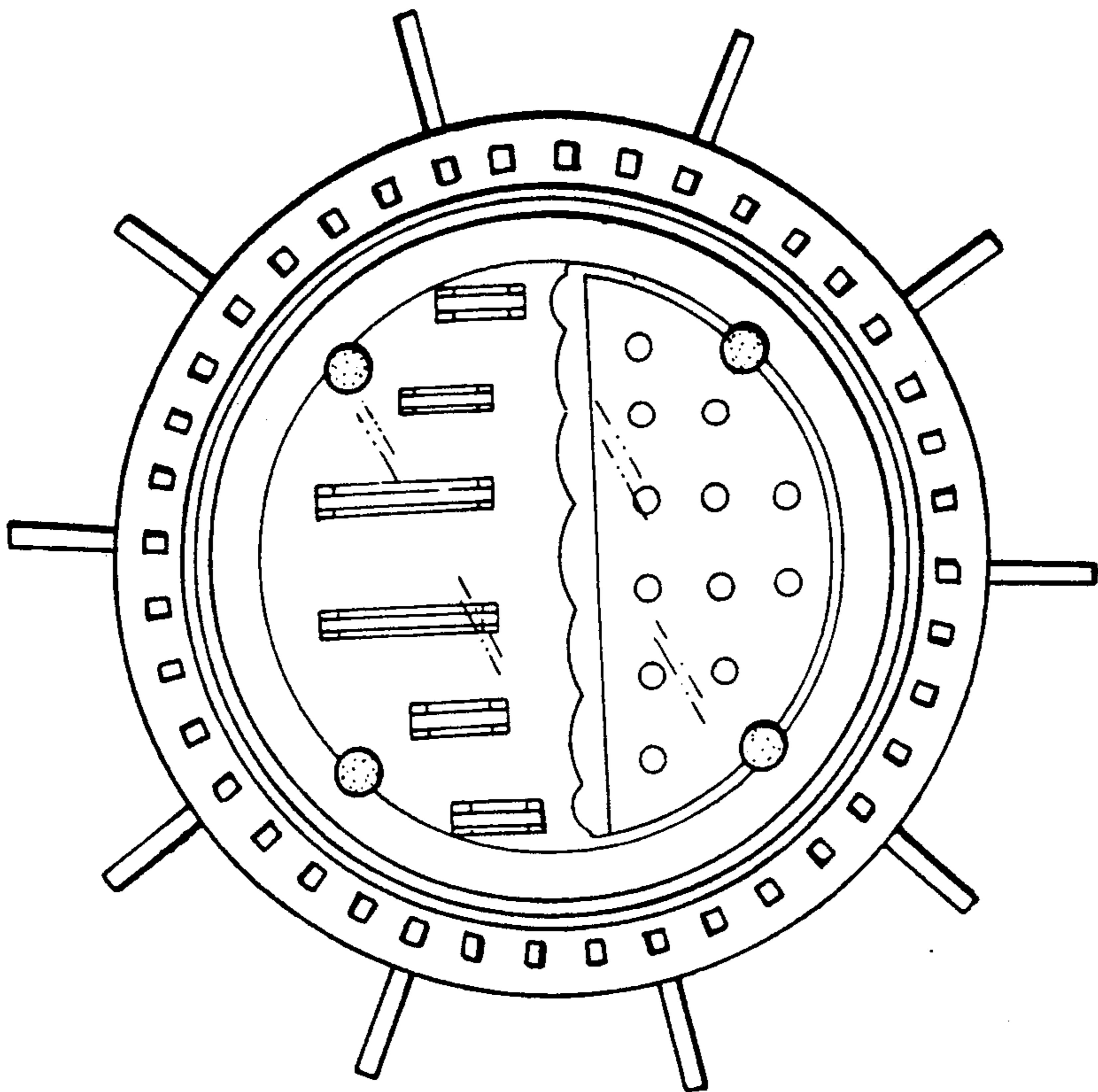


FIG. 7