

[54] **KNIFE HOLDING BLOCK**

[75] **Inventor: Arturo Martinez, Milan, Italy**

[73] **Assignee: Coltellerie Montana S.r.l., Como, Italy**

[**] **Term: 14 Years**

[21] **Appl. No.: 389,552**

[22] **Filed: Aug. 4, 1989**

[30] **Foreign Application Priority Data**

Feb. 6, 1989 [IT] Italy 20530B/89[U]

[52] **U.S. Cl. D7/637**

[58] **Field of Search D7/637-641;
248/37.3, 37.6; 211/60.1, 70.6, 70.7, 70.8;
206/553, 564**

[56] **References Cited**

U.S. PATENT DOCUMENTS

4,537,315 8/1985 Griffin 248/37.3 X

FOREIGN PATENT DOCUMENTS

466545 2/1928 Fed. Rep. of Germany 211/70.7

Primary Examiner—Terry A. Pfeffer

Attorney, Agent, or Firm—Notaro & Michalos

[57] **CLAIM**

The ornamental design for a knife holding block, as shown and described.

DESCRIPTION

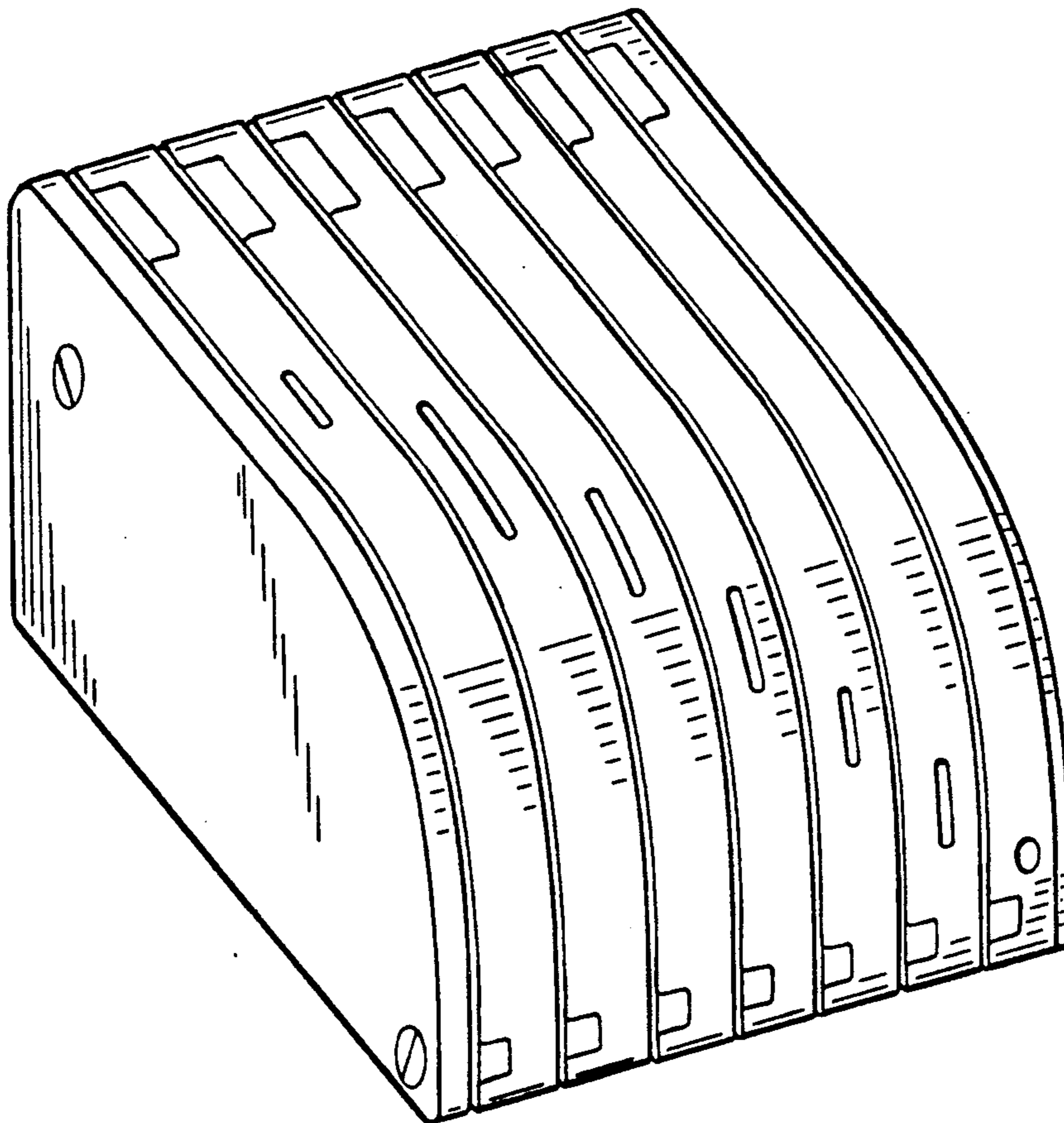
FIG. 1 is a front, top, right side perspective view of a knife holding block showing my new design;

FIG. 2 is a front, top, left side perspective view thereof;

FIG. 3 is a rear, top, left side perspective view thereof;

and

FIG. 4 is a bottom, front, left side perspective view thereof.



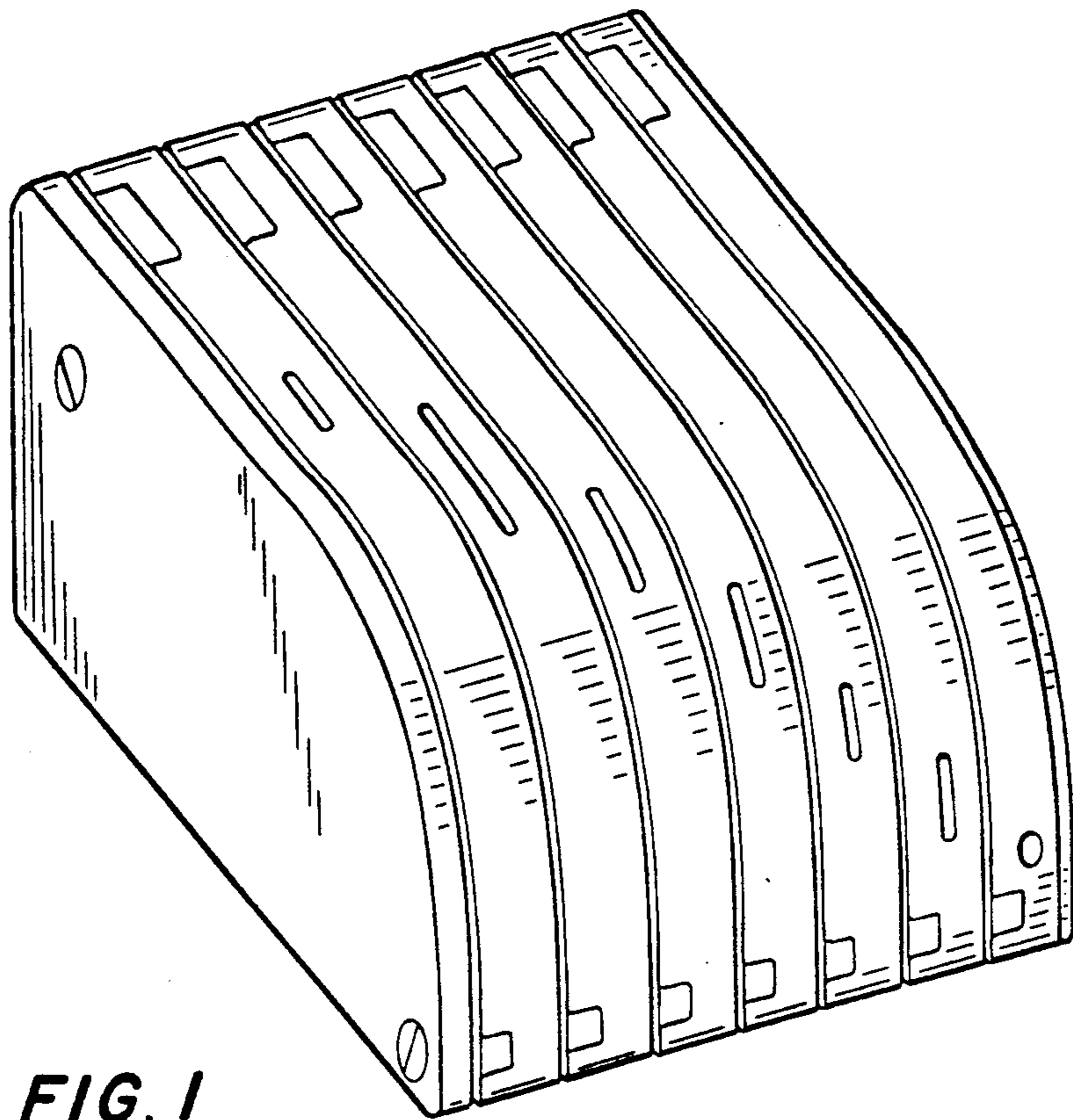


FIG. 1

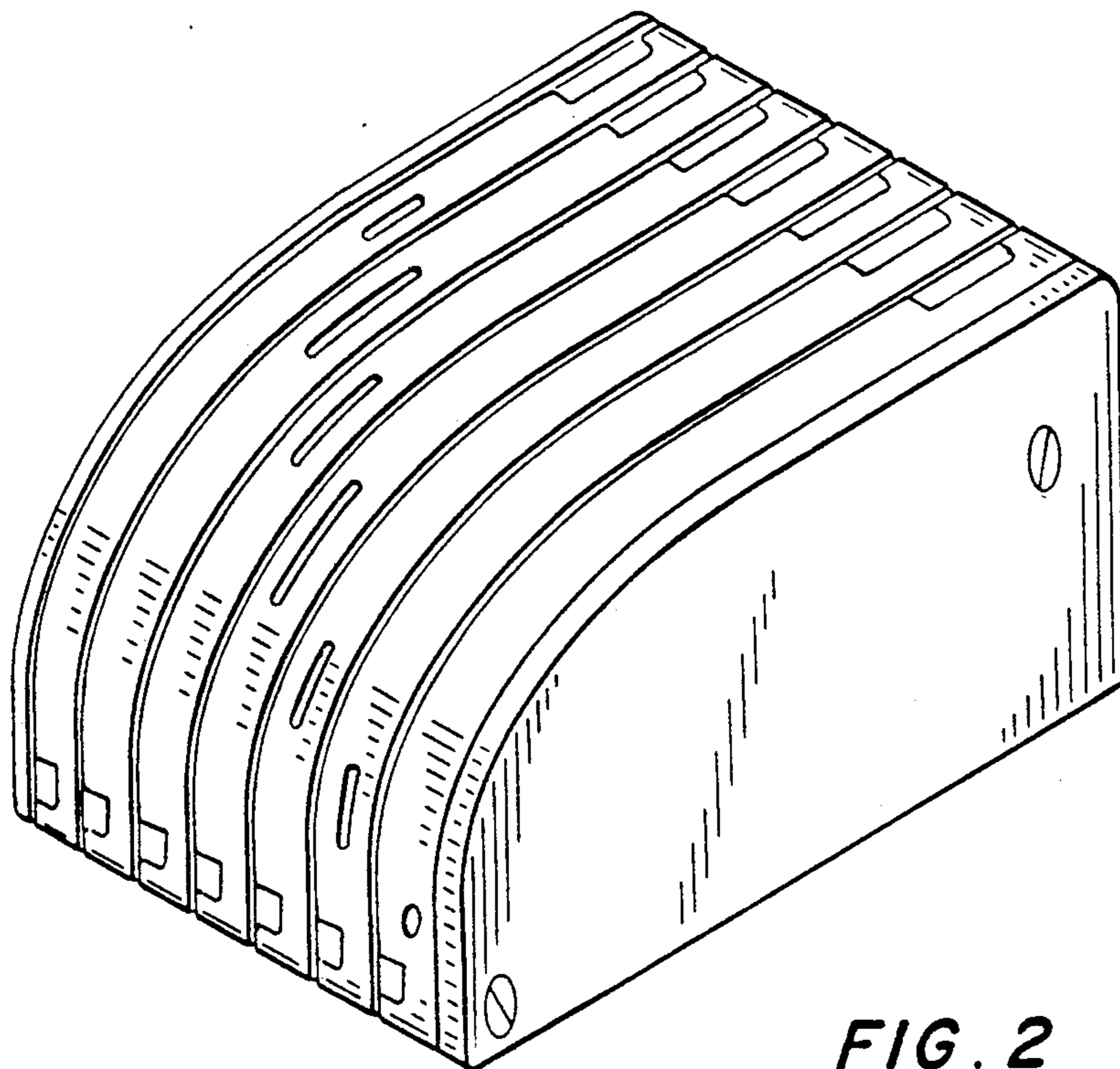


FIG. 2

